



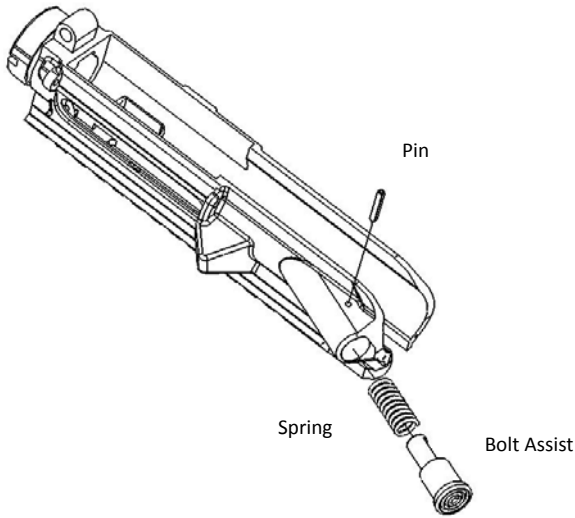
www.MadBullAirsoft.com

MAD BULL AIRSOFT

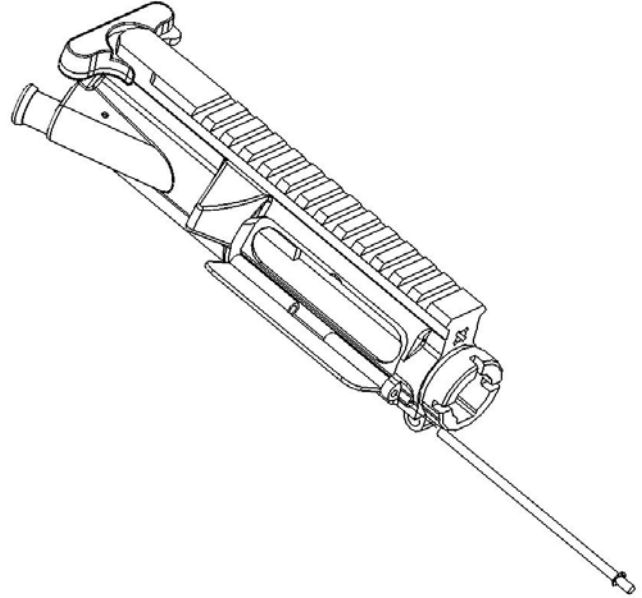
Metal Frame Kits for Airsoft User Installation Guide

NOTE: WEAR GOGGLE AT ALL TIMES

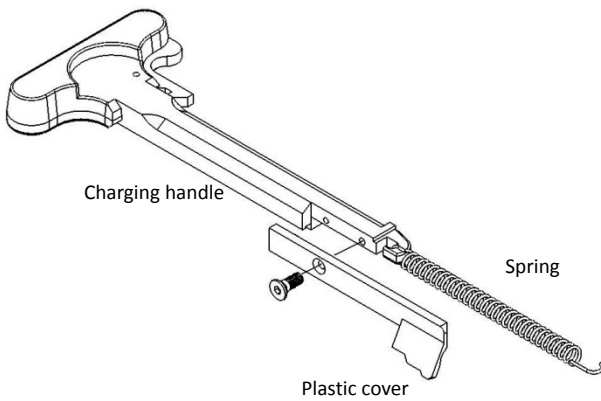
Step 01 : Insert "spring" and "bolt assist" first and use "pin" to lock down the bolt assist. Please use our spring instead of other brand.



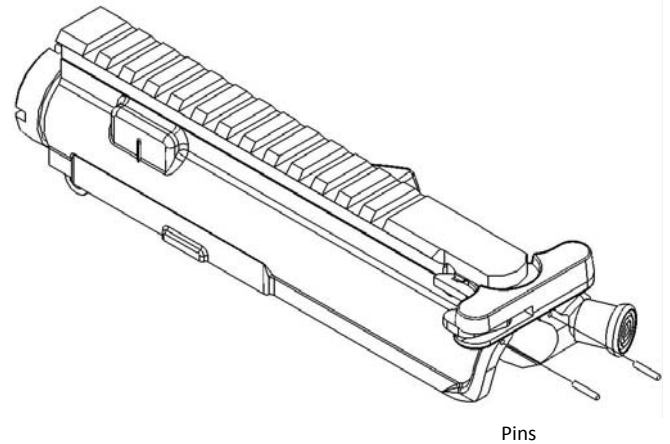
Step 04 : Insert "Dust cover pin" (not include) to install "dust cover" (not include) onto upper receiver. The methods may be varied by different brands. For example, CA and G&P v.s. TM, JG and ECHO are different. Please consult Airsoft engineer for details.



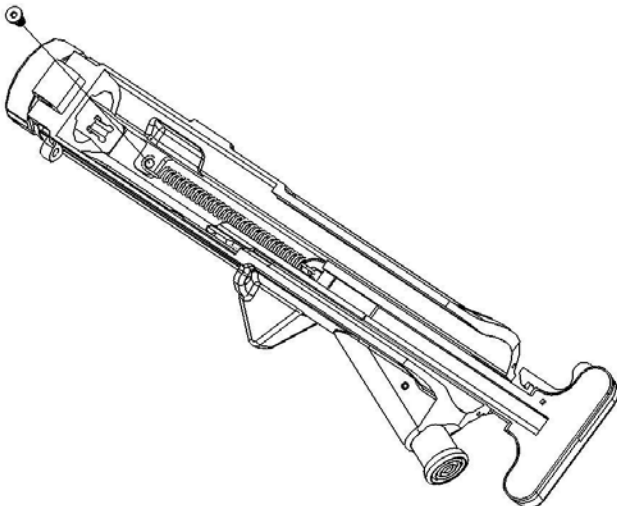
Step 02 : Install charging handle spring onto charging handle. Use screw (not include) to install "plastic cover" (not include) onto charging handle.



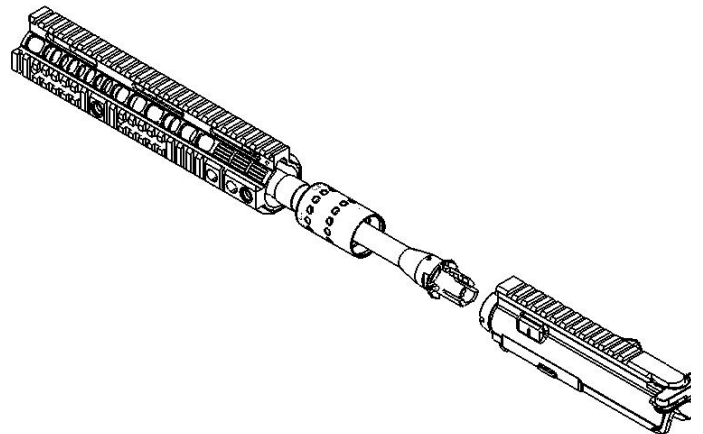
Step 05 : Install 2 pins on to upper receiver. Remember, don't use metal hammer to punch hard on these pins. Leave about 6mm length outside the upper receiver.



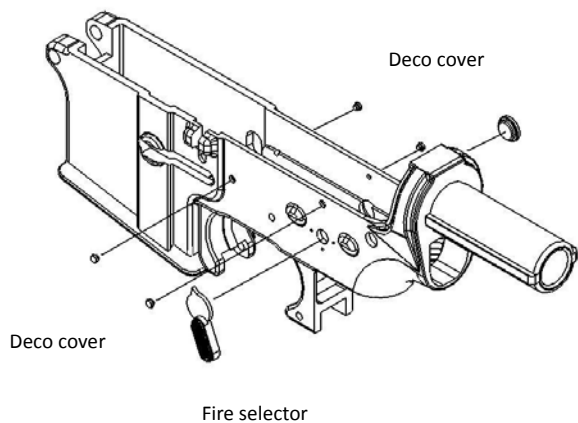
Step 03 : Use screw to lock down charging handle spring.



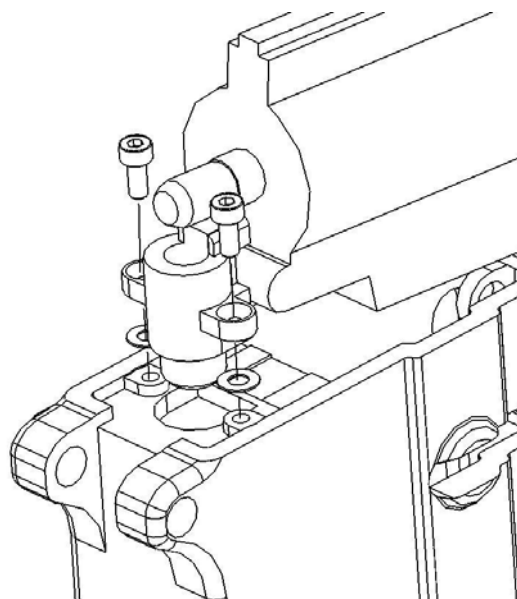
Step 06 : Install outer barrel (not include)/ flash hider (not include)/ handguard (not include)



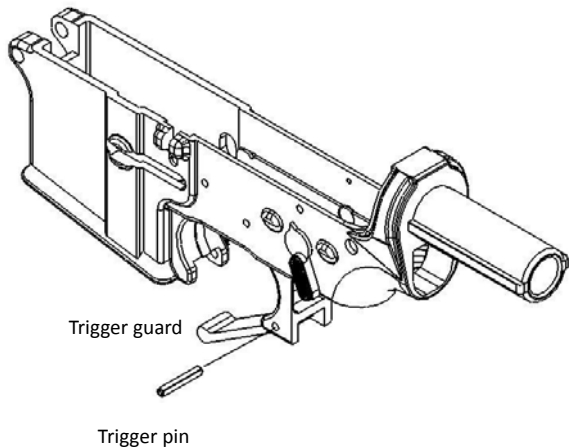
Step 07 : Install "fire selector" (not include), and use crazy glue to glue 5 decoration covers onto upper receiver.



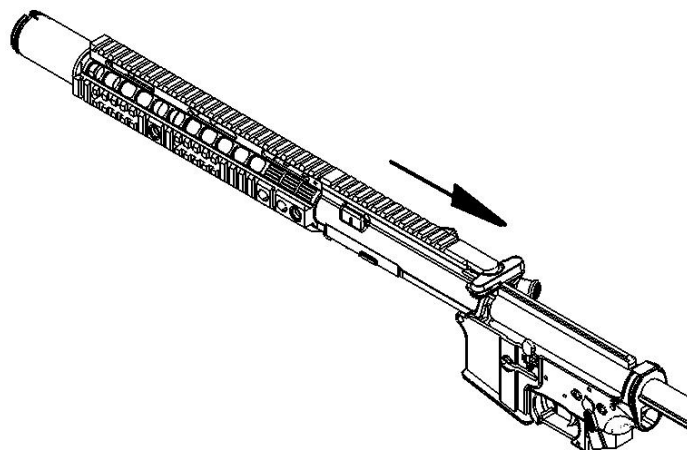
Step 10 : If you use 2 pcs hopup, please use our screw and spacer to lock hopup set onto lower receiver. Note: You have to use our screw and spacer instead of other brands.



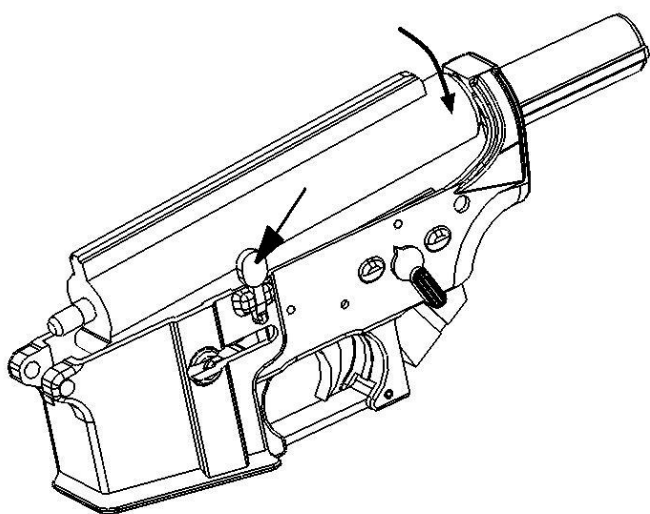
Step 08 : Use our trigger guard ping to install trigger guard (not include) You have to use our trigger guard pin instead of other brands.



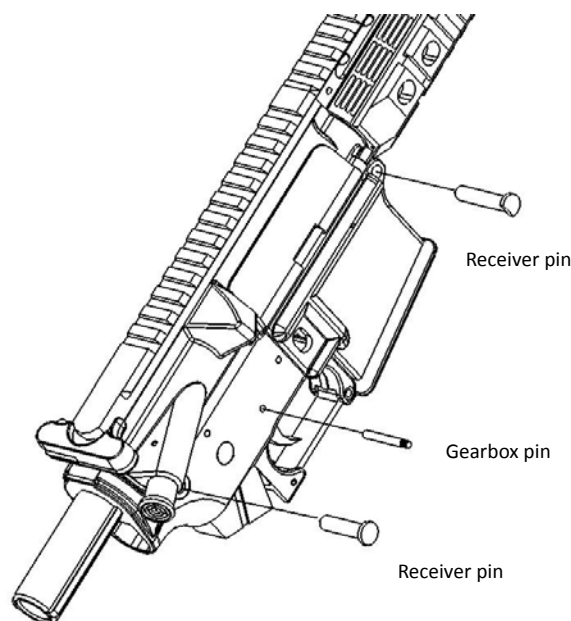
Step 11 : We strongly suggest you to ask experienced Airsoft engineer to help you install the metal body. The completed installation requires advanced knowledge and skills.



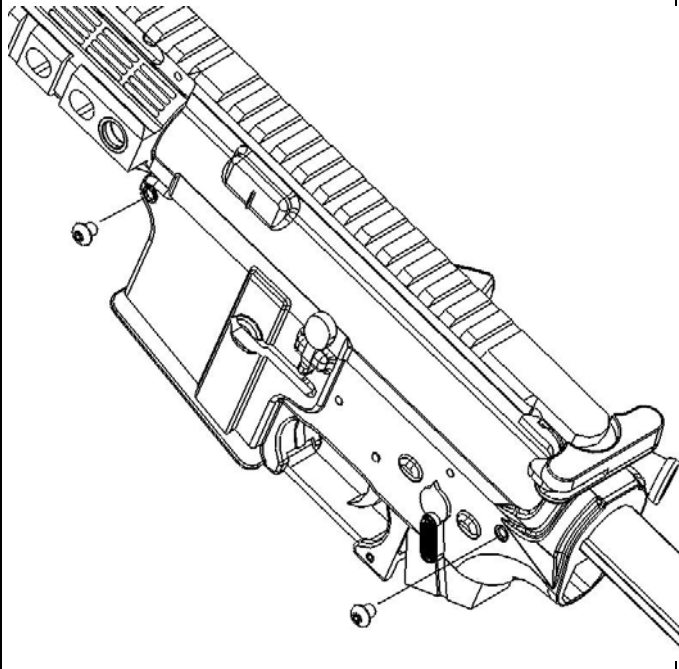
Step 09 : Install the "bolt release" and then, insert the upper receiver to lower receiver.



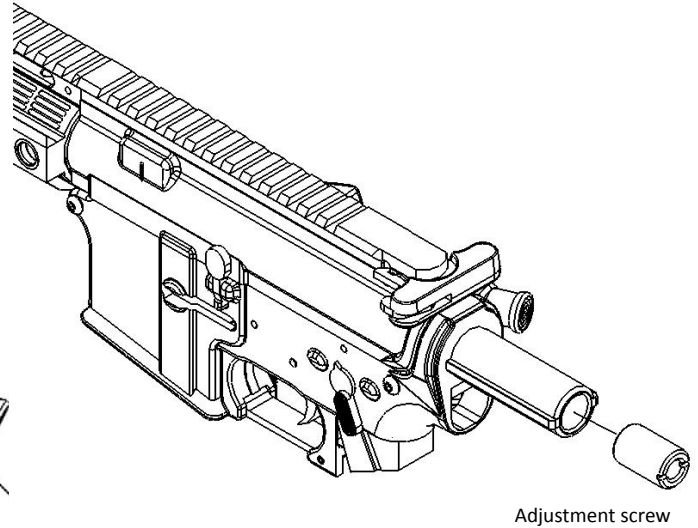
Step 12 : Install the gearbox pin and 2 upper/ lower receiver pins. You have to use our gearbox pin instead of other brands.



Step 13 : Use screws to lock 2 receiver pins.



Step 14 : Use "adjustment screw" to tight down the gearbox. The screw should slightly touch the gearbox instead of "push" the gearbox.



Adjustment screw

Product Advisory for ALL Airsoft/ Paintball related products

WEAR GOOGLE AT ALL TIMES!

WARNING:

Don't change, obscure, alter, remove, or obliterate any coloration or markings on this gun. The coloration and/or marking on this product, including the blaze orange barrel tip are designed to comply with applicable state and federal law and regulations.

WARNING:

This product may be mistaken for a firearm by law enforcement officers or others. Any person who changes, alters, removes, or obliterate any coloration or markings that are required by state or federal law or regulation, in any way that makes this product look more like a firearm is guilty of a misdemeanor.

WARNING:

The open display, brandishing and/or exposing of this product in any "public place" may cause confusion and may be a crime. The term "public place" means any area opened to public, including but not limited to, streets, sidewalks, bridges, alleys, plazas, parks, driveways, front yards, parking lots, automobiles, whether moving or not, and buildings opened to the general public including those that serve food or during, or provide entertainment, and the doorways and entrances to buildings or dwellings.

WARNING:

Every person who, except in self-defense, draws or exhibits this product in a threatening manner against another in such a way as to cause a reasonable person apprehension or fear of bodily harm is guilty of a misdemeanor punishable by imprisonment in the county jail for a term of not less than 30 days.