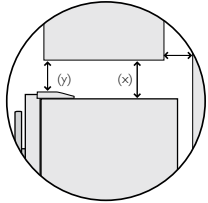
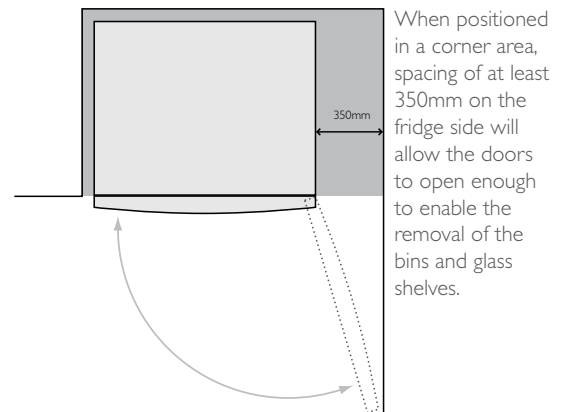
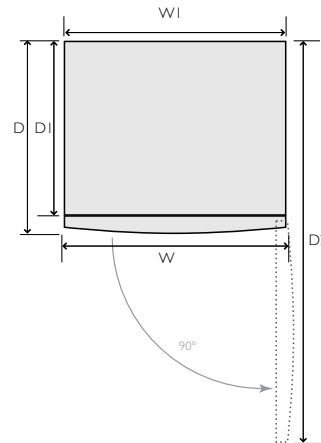
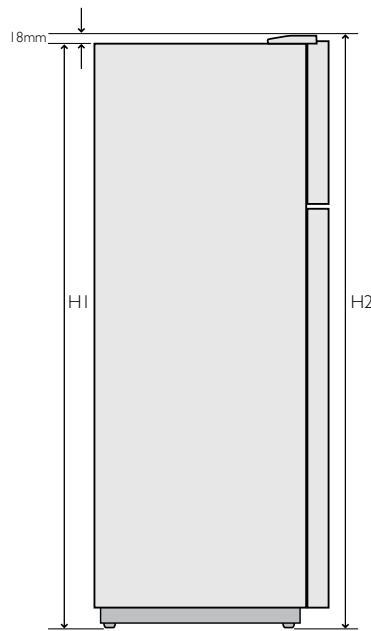
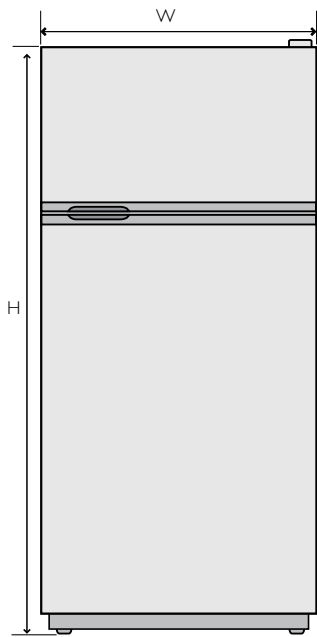
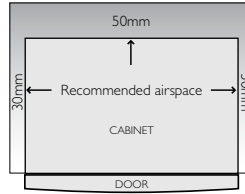


## EZI top mount dimensional drawings

### Recommended airspaces:



If you do not have a cupboard with a rear gap, the recommended clearance on top increases from 50mm to 90mm (x) and 32mm to 72mm (y).



Model	Max. door height (H)	Cabinet height (H1)	Total height (H2)	Door width (W)	Cabinet width (W1)	Total depth (D)	Cabinet depth (D1)	Depth door open (D2)
STM5200	1714	<b>1702</b>	1720	803	<b>790</b>	703	<b>612</b>	1450
STM4400	1714	<b>1702</b>	1720	703	<b>690</b>	703	<b>612</b>	1350
STM3900	1714	<b>1702</b>	1720	703	<b>690</b>	641	<b>550</b>	1288
STM3600	1634	<b>1622</b>	1640	703	<b>690</b>	641	<b>550</b>	1288
STM3300	1714	<b>1702</b>	1720	608	<b>595</b>	641	<b>550</b>	1193
STM3000	1614	<b>1602</b>	1620	608	<b>595</b>	641	<b>550</b>	1193

For further information please visit your retailer, call **1300 363 640** or visit our website at [www.simpson.com.au](http://www.simpson.com.au)

†Refer to product information on page 15.