

# Q500

Fiilex LED Light

Quick Start Guide

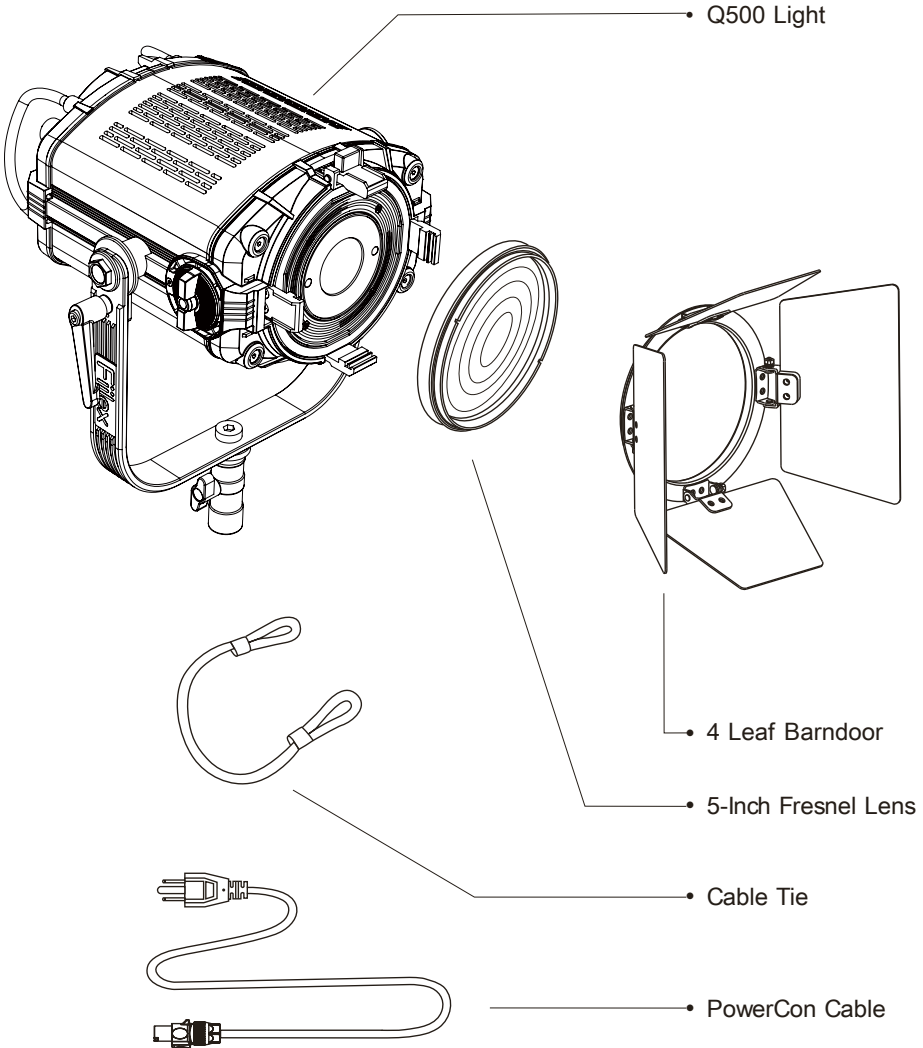
---

Fiilex™

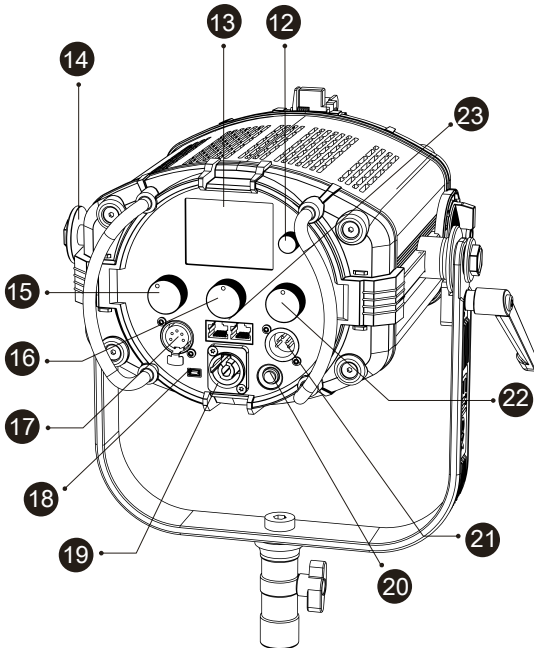
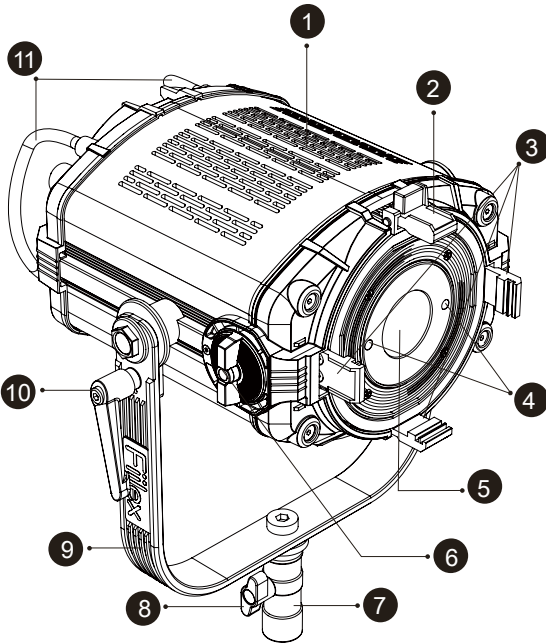
# Table of Contents

What Is In The Box	1
Specifications	2
Basic Operation	3
Rear Panel Interface Operation	4
Accessories Overview	5
Specifications	6
For Your Safety	6

# What Is In The Box



# Parts Diagram



- 1 Vent Holes
- 2 Top Latch
- 3 Size 3 Accessory Holder
- 4 Magnetic Mount
- 5 Light Source
- 6 Focusing Knob
- 7 Junior Pin Reciever
- 8 Stand Locking Pin
- 9 Yoke
- 10 Tilt Lock Lever
- 11 Handles
- 12 DMX Address Knob
- 13 LCD Display
- 14 Yoke Bolt
- 15 CCT Tuning Knob
- 16 HUE Tuning Knob
- 17 DMX Output (XLR-Female 5-Pin)
- 18 USB Port (Mini USB)
- 19 PowerCon Connection Port
- 20 On/Off Button
- 21 DMX Input (XLR Male 5-Pin)
- 22 Intensity Control Knob
- 23 RJ45 Ports (DMX In/Out)

# Basic Operation

## •Turning The Light On

Insert the PowerCon cable into the PowerCon Connection Port (19) and rotate clockwise to lock in place.

Plug the light in to an appropriate outlet. The On/Off Button (20) will light red to signify it is in stand-by mode.

Press the On/Off Button (20) to turn on the light.

The On/Off Button (20) will light green to signify it is in working mode

## • Positioning The Q500

To adjust the Q500, grasp the Handles (11) then loosen the Tilt Lock Lever (10).

Adjust the angle to the desired position then tighten the Tilt Lock Lever (10) to secure.

## • Adjusting Beam Angle

Adjust the beam angle by turning the Focusing Knob (6). The lens tube will extrude back and forth from the lamphead housing.

## • Mounting The Q500

The Q500 can be mounted in a standing or hanging position with the Junior Pin Receiver (7).

In order to mount the light, insert the stud of the C-Stand into the Junior Pin Receiver (7) and secure by tightening the Stand Locking Pin (8).

When mounting in a hanging position, secure the light with a Safety Cable (Not Included).

## • DMX Interface

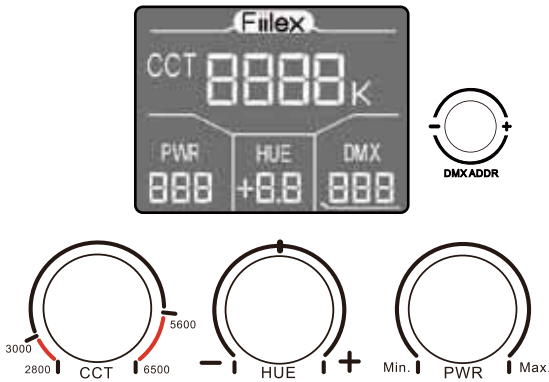
The Q500 is equipped with two DMX interfaces. RJ45 (23) or XLR ports (21 & 22) are used to send the DMX signal to the lamphead. Both interfaces include in/out ports for the purpose of daisy-chaining the DMX line through to the next lamphead.

## • USB Interface

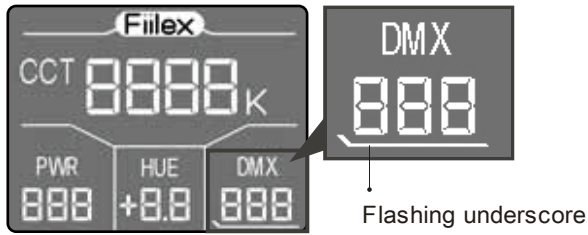
The Q500 is equipped with a mini USB port for updating the Q500's firmware.

Please register your product at [www.fiilex.com](http://www.fiilex.com) to be informed when firmware updates are available.

# Rear Panel Interface Operation



KNOB	RANGE	FUNCTION
CCT	2800K~6500K	Set color temperature
PWR	100%-5%	Set intensity
HUE	± .25 Magenta / Green	Set HUE value
DMX	0 ~ 512	Set DMX address

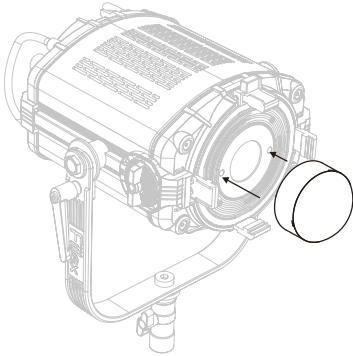


## HOW TO ASSIGN DMX ADDRESS:

1. Double click the DMX Address Knob (12) to activate the DMX Address Section of the LCD Display. Once activated, a blinking line will appear below the DMX Display Area.
2. Rotate the DMX Address Knob (12) until desired address appears.
3. Once desired address is selected, click the DMX Address Knob to set the address. The newly selected address will automatically be set after 3 seconds of inactivity.
4. When a DMX Address is set, the line will stop blinking.
5. Once a DMX address is selected the Q500 will automatically assign the next two addresses. The Q500 assigns the addresses in this order:
  - (1) Intensity
  - (2) CCT
  - (3) Hue

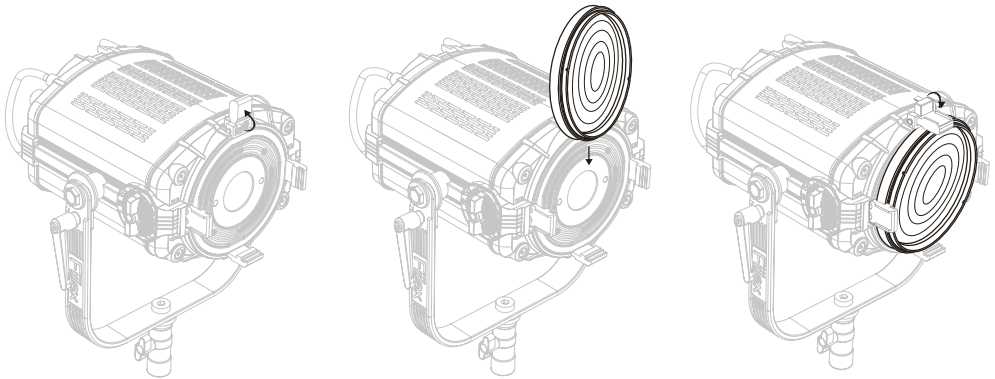
# Accessories Overview

The Q500 is equipped with two ways of attaching accessories: Magnetic Mount (4) and Size 3 Accessory Holder (3).



## MAGNETIC MOUNT (4)

Two magnets are located on the outer diameter of the Light Source (5). Fiilex Magnetic Accessories will mount onto the Q500 when the 5-inch Fresnel Lens has been removed. Not all accessories are designed to handle the intense output of the Q500. Do Not use the Magnetic Gel Holder with the Q500.



## SIZE 3 ACCESSORY HOLDER (3)

Size 3 accessories are designed to attach to the Q500 by sliding into the Size 3 Accessory Holder (3) from the top side and then secured with the Top Latch (2).

See website for additional accessories. [www.fiilex.com](http://www.fiilex.com)

# Specifications

Size (without Bamdoor)	305mm X 325mm x 380mm( With yoke)
Weight (Includes Yoke)	12 lbs / 5.5 kg
LED	Dense Matrix LED
Thermal Design	Advanced Vapor Cooling
CCT Range	2800-6500K Continuous Tuning
CRI	>93 (3000-5600k)
Power Consumption	185W Max
Power Connection	Detachable PowerCon Cable
Input Voltage	AC Power: 100-240 VAC, 50~60Hz, Max 185W
Operating Temperature	32-104°F / 0-40° C (over temperature protection)

Beam Angle	27°-50° (With Fresnel Lens)
Lens Diameter	130mm / 5 inch
Mounting	Baby Stud 5/8" Female (16mm) and Junior Stud 1-1/8" Male (28mm)
Tilt Angle	+/- 90°
Control	DMX, 512 Addresses, XLR5, RJ45
Mini USB Interface	For firmware upgrades
Housing Colors	Black
Protection Class	IP20
Estimated LED Lifetime (L70)	50,000 hours
Certifications	CE, UL, FCC

## For Your Safety

- CAUTION! High Beam Intensity! - Do not look into the Light Source (5) of the fixture.
- Do NOT point the light at combustable or flammable materials
- Do NOT attempt to disassemble the body of Q500. Doing so will void the warranty.
- Do NOT install Q500 in a damp or wet area.
- Do NOT cover/block the side and back air vents.
- Use only the included power supply. Failure to do so may cause damage to the light.
- Use only a soft, dry towel to gently clean the exterior of the light.
- Do NOT lift or suspend the light by the power cable.
- Do NOT use the Q500 or accessories if they display any physical damage.
- Before first use, make sure to remove all protective membranes.
- Do NOT use the gel holder designed for the P series of lights with the Q500.
- Do NOT mount the Q500 in a hanging position without a separate safety cable.  
A safety cable is NOT included with the Q500.



Any product, unit, or part returned to Fiilex must be packaged in a suitable manner to ensure the protection of such product, unit, or part. The package must be clearly and prominently marked with a Return Authorization Number (RA#) to indicate that the package contains returned products, units, or parts. All returned products, units, or parts must be accompanied by a written explanation of the alleged problem or malfunction.

Fiilex.com

1689 Regatta Blvd., Richmond, CA 94804

(510)-620-5155 | [fiilex@fiilex.com](mailto:fiilex@fiilex.com)



Information and Specifications in this document are subject to change without notice. DiCon Lighting, Inc. assumes no responsibility or liability for any error or inaccuracies that may appear in this manual. Unlawful reproduction or distribution without the written permission of DiCon Lighting, is strictly prohibited.

DiCon Lighting, Inc. assumes no responsibility or liability in any manner without the written permission of DiCon Lighting, is strictly prohibited.

© DiCon Lighting 1996-2014 All Rights Reserved

Filex™



Filex.com

---