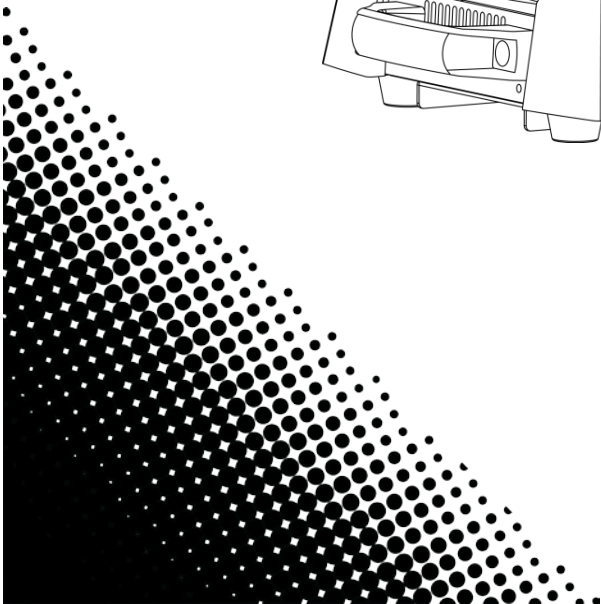
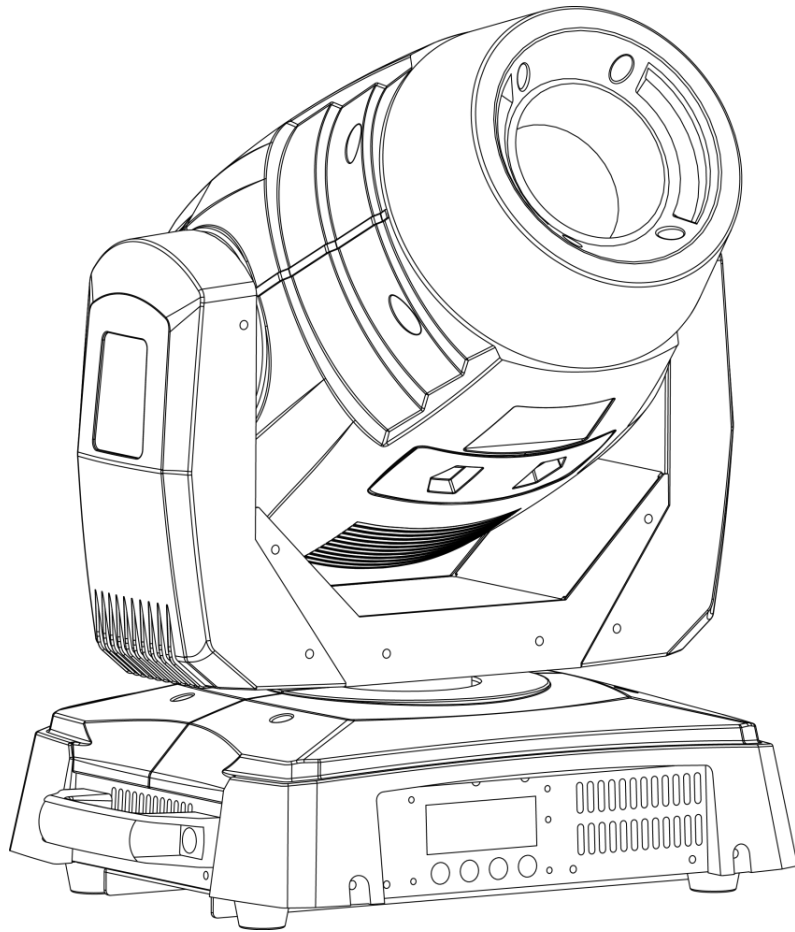


# INTIMIDATOR™

## SPOT LED 450

User Manual



**CHAUVET**®  
*Value · Innovation · Performance*  
It's **Green** Thinking.™

---

# TABLE OF CONTENTS

<b>1. Before You Begin</b> .....	<b>3</b>
What Is Included .....	3
Unpacking Instructions .....	3
Claims .....	3
Text Conventions .....	3
Symbols .....	3
Disclaimer .....	3
Product at a Glance .....	4
Safety Notes .....	4
<b>2. Introduction</b> .....	<b>5</b>
Overview .....	5
Dimensions .....	6
<b>3. Setup</b> .....	<b>7</b>
AC Power .....	7
Fuse Replacement .....	7
Mounting .....	8
Orientation .....	8
Rigging .....	8
<b>4. Operation</b> .....	<b>9</b>
Control Panel Operation .....	9
Menu Map .....	9
Configuration (DMX) .....	10
Starting Address .....	10
DMX Channel Modes, Assignments, and Values .....	11
Advanced Mode .....	11
Basic Mode .....	13
Configuration (Standalone) .....	14
Sound-Active Mode .....	14
Automatic Modes .....	14
Master/Slave Mode .....	15
Manual Pan/Tilt Operation .....	16
Pan/Tilt Angle Range .....	16
Display .....	17
Reset Software .....	17
Factory Defaults .....	17
Changing Gobos .....	18
<b>5. Technical Information</b> .....	<b>19</b>
Product Maintenance .....	19
<b>6. Technical Specifications</b> .....	<b>20</b>
Returns .....	21
Contact Us .....	21

# 1. BEFORE YOU BEGIN

## What Is Included

- Intimidator™ Spot LED 450
- Hanging Bracket with Mounting Hardware
- Power Cord
- Warranty Card
- Quick Reference Guide

## Unpacking Instructions

Carefully unpack the product immediately and check the container to make sure all the parts are in the package and are in good condition.

## Claims




If the box or the contents (the product and included accessories) appear damaged from shipping, or show signs of mishandling, notify the carrier immediately, not CHAUVET®. Failure to report damage to the carrier immediately may invalidate your claim. In addition, keep the box and contents for inspection.

For other issues, such as missing components or parts, damage not related to shipping, or concealed damage, file a claim with CHAUVET® within 7 days of delivery.

## Text Conventions

Convention	Meaning
1–512	A range of values
50/60	A set of values of which only one can be chosen
<b>Settings</b>	A menu option not to be modified
<b>Menu &gt; Settings</b>	A sequence of menu options to be followed
<b>&lt;ENTER&gt;</b>	A key to be pressed on the product's control panel
<b>ON</b>	A value to be entered or selected

## Symbols

Symbol	Meaning
	Critical installation, configuration, or operation information. Not following these instructions may make the product not work, cause damage to the product, or cause harm to the operator.
	Important installation or configuration information. The product may not function correctly if this information is not used.
	Useful information.

## Disclaimer

The information and specifications contained in this User Manual are subject to change without notice. CHAUVET® assumes no responsibility or liability for any errors or omissions, and reserves the right to revise or recreate this manual at any time. Download the latest version from [www.chauvetlighting.com](http://www.chauvetlighting.com).

© Copyright 2013 CHAUVET®. All rights reserved.

Electronically published by CHAUVET® in the United States of America.

Author	Date	Editor	Date
A. Leon	04/04/13	D. Coupe	04/09/13

## Product at a Glance

Use on Dimmer	X	Auto Programs	P
Outdoor Use	X	Auto-ranging Power Supply	P
Sound-Active	P	Replaceable Fuse	P
DMX	P	User-Serviceable	X
Master/Slave	P	Duty Cycle	X

## Safety Notes

These notes include important information about the mounting, usage, and maintenance of this product; read before using the product.



- Always connect the product to a grounded circuit to avoid the risk of electrocution.
- Always disconnect the product from the power source before cleaning or replacing the fuse.
- Avoid direct eye exposure to the light source while the product is on.
- Make sure the power cord is not crimped or damaged.
- Never disconnect the product from power by pulling or tugging on the cord.
- If mounting the product overhead, always secure to a fastening device using a safety cable.
- Make sure there are no flammable materials close to the product when operating.
- Do not touch the product's housing when operating because it may be very hot.



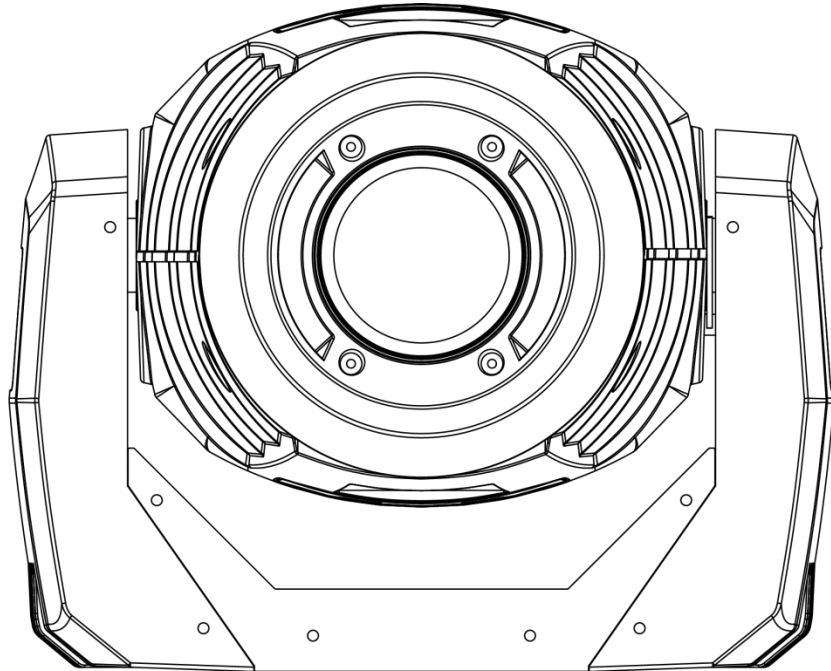
- Always make sure that the voltage of the outlet to which you are connecting the product is within the range stated on the decal or back panel of the product.
- The product is for indoor use only! (IP20) To prevent risk of fire or shock, do not expose the product to rain or moisture.
- Always install the product in a location with adequate ventilation, at least 20 in (50 cm) from adjacent surfaces.
- Be sure that no ventilation slots on the product's housing are blocked.
- Never connect the product to a dimmer.
- Make sure to replace the fuse with another of the same type and rating.
- Never carry the product from the power cord or any moving part. Always use the hanging/mounting bracket or the handles.
- The maximum ambient temperature (Ta) is 104° F (40° C). Do not operate the product at higher temperatures.
- In the event of a serious operating problem, stop using the product immediately.
- Never try to repair the product. Repairs carried out by unskilled people can lead to damage or malfunction. Contact the nearest authorized technical assistance center.
- This product is not intended for permanent installation.



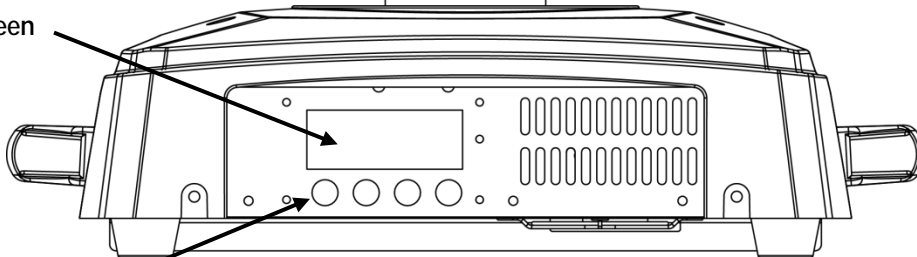
- Keep this User Manual for future use. If you sell the product to another user, be sure to give this document to the next owner.

## 2. INTRODUCTION

### Overview

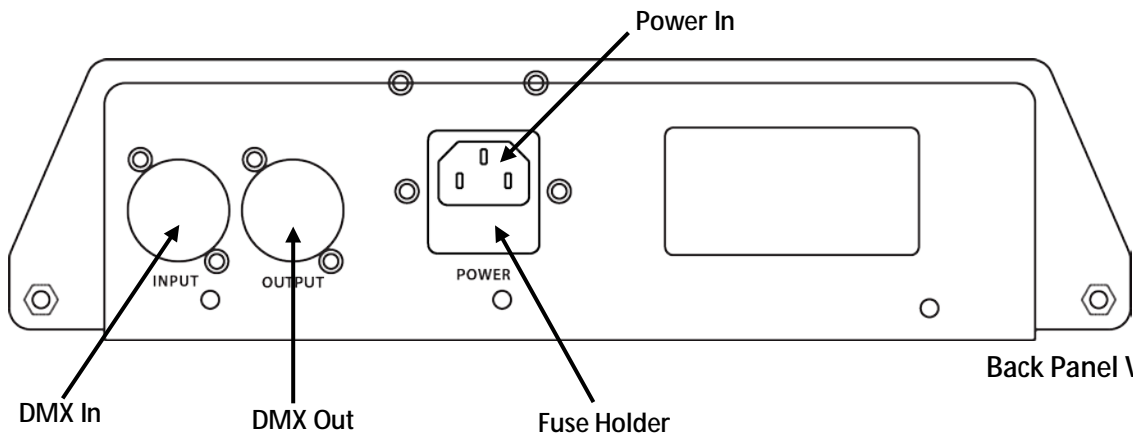


LCD Screen



Button Menu

Front Panel View



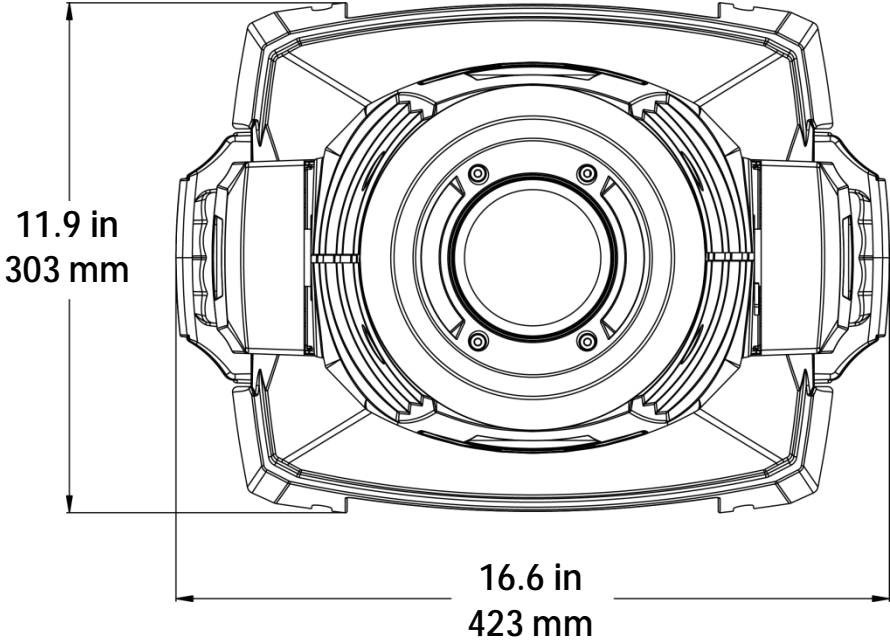
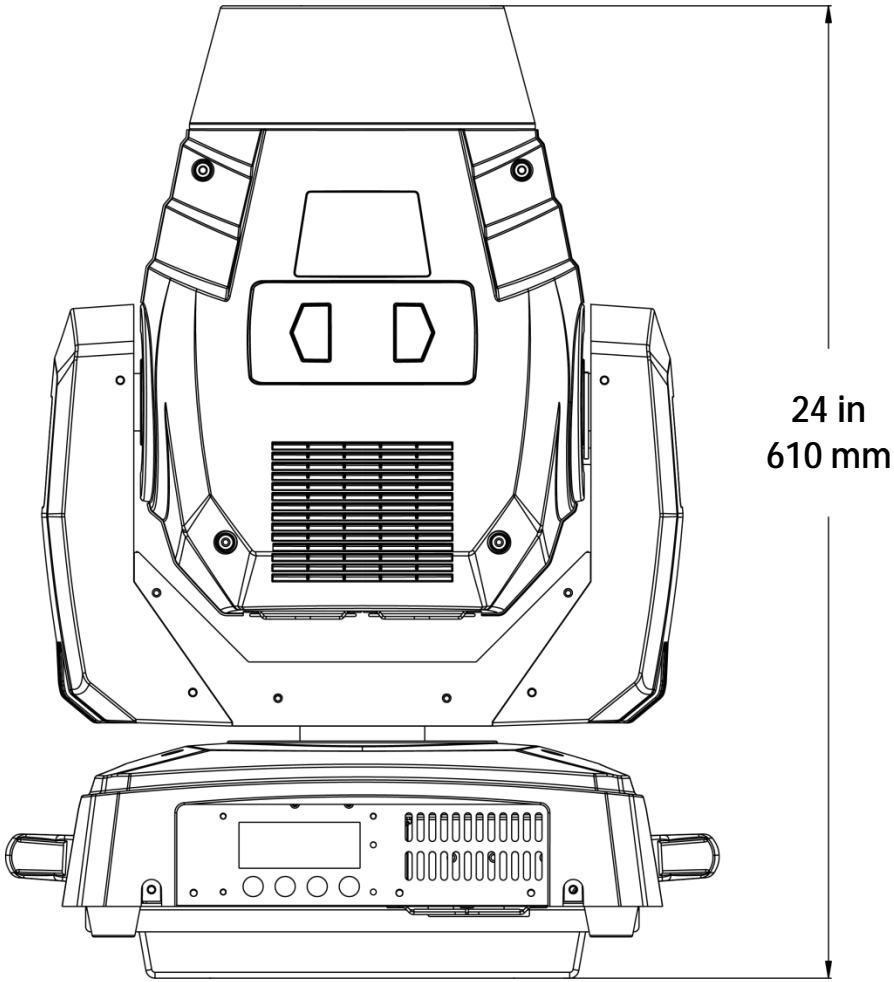
DMX In

DMX Out

Fuse Holder

Back Panel View

**Dimensions**



## 3. SETUP

**AC Power** The Intimidator™ Spot LED 450 has an auto-ranging power supply and it can work with an input voltage range of 100~240 VAC, 50/60 Hz.

To determine the product's power requirements (circuit breaker, power outlet, and wiring), use the current value listed on the label affixed to the product's back panel, or refer to the product's specifications chart. The listed current rating indicates the product's average current draw under normal conditions.



**Always connect the product to a protected circuit (circuit breaker or fuse). Make sure the product has an appropriate electrical ground to avoid the risk of electrocution or fire.**



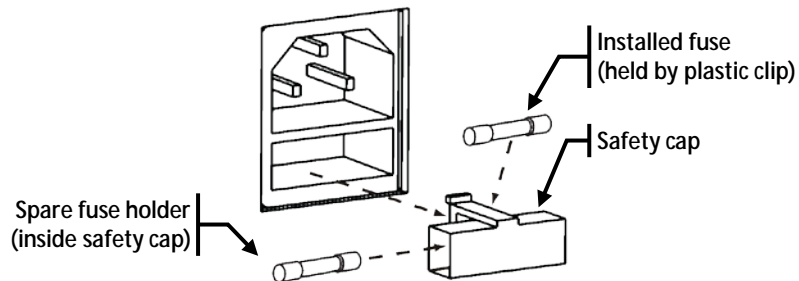
**Never connect the product to a rheostat (variable resistor) or dimmer circuit, even if the rheostat or dimmer channel serves only as a 0–100% switch.**

### Fuse Replacement



**Disconnect the product from power before replacing the fuse.**

1. Disconnect the product from power.
2. Wedge the tip of a flat-head screwdriver into the slot of the fuse holder.
3. Pry the fuse holder out of the housing.
4. Remove the blown fuse from the holder.
5. Replace with a fuse of the exact same type and rating.
6. Insert the fuse holder back in place and reconnect power.



**A spare fuse is not included; however, the safety cap has room for a spare.**



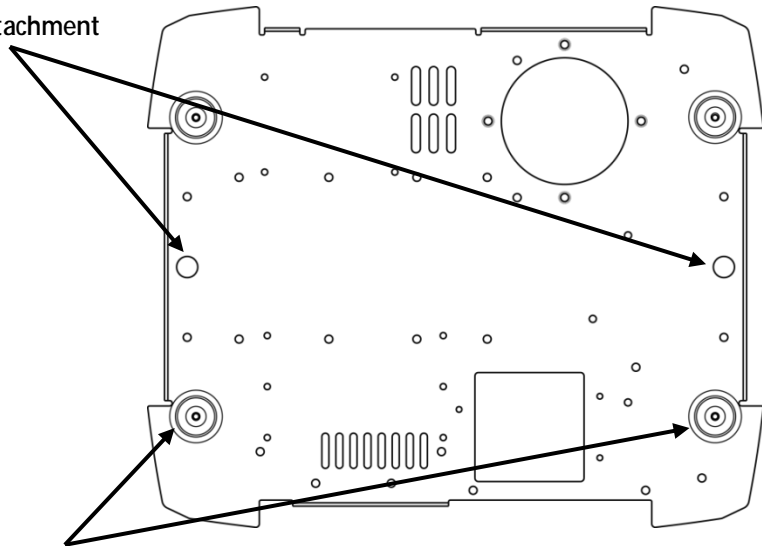
**Always replace a blown fuse with another of the same type and rating.**

**Mounting** Before mounting the product, read and follow the safety recommendations indicated in the Safety Notes.

**Orientation** The Intimidator™ Spot LED 450 may be mounted in any position; however, make sure adequate ventilation is provided around the product.

- Rigging**
- Before deciding on a location, always make sure there is easy access to the product for maintenance and programming.
  - Make sure that the structure or surface onto which you are mounting the product can support the product's weight (see the [Technical Specifications](#)).
  - When mounting the product overhead, always use a safety cable. Mount the product securely to a rigging point, such as an elevated platform or a truss.
  - When rigging the product onto a truss, you should use a mounting clamp of appropriate weight capacity.
  - The rubber feet also serve as floor supports. When mounting the product on the floor, make sure that the product and cables are away from people and vehicles.

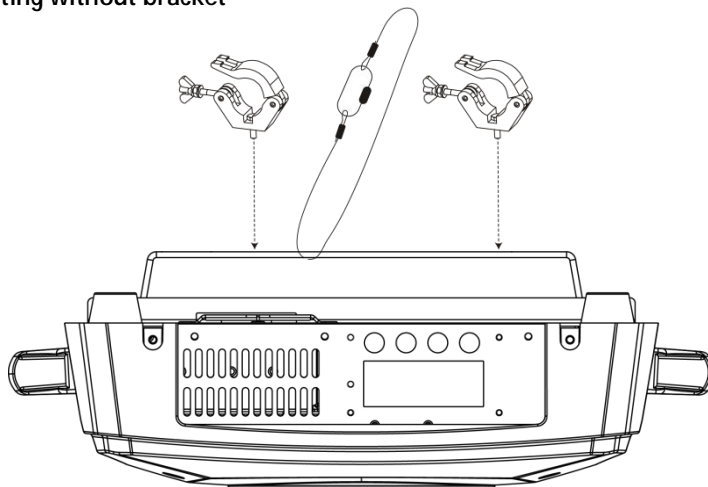
Bracket Attachment



Mounting Diagram

Rubber Feet (x4) for floor mounting without bracket

Bottom Panel View



Side View w/bracket attached



## 4. OPERATION

### Control Panel Operation

To access the control panel functions, use the four buttons located underneath the display.

Button	Function
<MENU>	Selects an operation mode or backs out of the current menu option
<UP>	Scrolls up the list of options or selects a higher value
<DOWN>	Scrolls down the list of options or selects a lower value
<ENTER>	Activates a menu option or a selected value

### Menu Map

Main Level	Programming Level	Description
<b>DMX Address</b>	<b>001–512</b>	Sets the DMX starting address
<b>Run</b>	<b>Slave</b>	Slave operating mode
	<b>Fast</b>	Automatic mode, fast program
	<b>Slow</b>	Automatic mode, slow program
	<b>Sound</b>	Sound-Active mode
<b>Pan</b>	<b>Normal</b>	Normal pan operation
	<b>Reverse</b>	Reverse pan operation
<b>Tilt</b>	<b>Normal</b>	Normal tilt operation
	<b>Reverse</b>	Reverse tilt operation
<b>Display</b>	<b>Bright</b>	Display backlight remains on
	<b>30Close</b>	Display backlight turns off after 30 seconds of control panel inactivity
<b>Pan Angle</b>	<b>540</b>	Pan angle range 540°
	<b>360</b>	Pan angle range 360°
	<b>180</b>	Pan angle range 180°
<b>Tilt Angle</b>	<b>270</b>	Tilt angle range 270°
	<b>180</b>	Tilt angle range 180°
	<b>90</b>	Tilt angle range 90°
<b>Channel</b>	<b>ADVANCED</b>	14-channel mode
	<b>Basic</b>	8-channel mode
<b>Temp. Disp</b>	<b>T1__, T2__, T3__</b>	Displays LED temperature
<b>ResetSystem</b>	<b>No</b>	Does not reset fixture
	<b>Ok</b>	Resets fixture
<b>Load Set</b>	<b>No</b>	Does not load factory defaults
	<b>Ok</b>	Loads factory defaults

---

## Configuration (DMX)

Set the product in DMX mode to control with a DMX controller.

1. Connect the product to a suitable power outlet.
2. Turn the product on.
3. Connect a DMX cable from the DMX output of the DMX controller to the DMX input socket on the product.

## Starting Address

When selecting a starting DMX address, always consider the number of DMX channels the selected DMX mode uses. If you choose a starting address that is too high, you could restrict the access to some of the product's channels.

The Intimidator™ Spot LED 450 uses up to 14 DMX channels in its **ADVANCED** personality, which defines the highest configurable address to **499**.

If unfamiliar with DMX, download the DMX Primer from [www.chauvetlighting.com](http://www.chauvetlighting.com).

To select the starting address, do the following:

1. Press **<MENU>** and menu items show on the display with a blinking **<** next to the selected menu item.
2. If it is not already selected, use **<UP>** or **<DOWN>** to select **DMX Address**.
3. Press **<ENTER>** and **001–512** shows on the display.
4. Use **<UP>** or **<DOWN>** to select the starting address.
5. Press **<ENTER>**.









## DMX Personalities

The Intimidator™ Spot LED 450 has two DMX personalities. One is a basic 8-channel personality and the other is a more advanced 14-channel personality.

To select either the basic or advanced personality, do the following:

1. Press **<MENU>** and menu items show on the display with a blinking **<** next to the selected menu item.
2. Use **<UP>** or **<DOWN>** to select **Channel**.
3. Press **<ENTER>** and **ADVANCED** or **Basic** shows on the display.
4. Use **<UP>** or **<DOWN>** to select **ADVANCED** for the 14-channel mode or **Basic** for the 8-channel mode.
5. Press **<ENTER>**.









## DMX Channel Modes, Assignments, and Values

Advanced Mode	Channel	Function	Value	Setting
	1	Pan	000 ◊ 255	0–540°
	2	Fine Pan	000 ◊ 255	Fine control of panning
	3	Tilt	000 ◊ 255	0–270°
	4	Fine Tilt	000 ◊ 255	Fine control of tilting
	5	Speed	000 ◊ 255	Pan/Tilt speed (fast to slow)
	6	Color Wheel	000 ◊ 007 White 008 ◊ 015 Blue 016 ◊ 023 Yellow 024 ◊ 031 Pink 032 ◊ 039 Green 040 ◊ 047 Red 048 ◊ 055 Light Blue 056 ◊ 063 Orange Red 064 ◊ 066 White 067 ◊ 078 From White to Blue 079 ◊ 092 From Blue to Yellow 093 ◊ 107 From Yellow to Pink 108 ◊ 120 From Pink to Green 121 ◊ 136 From Green to Red 137 ◊ 152 From Red to Light Blue 153 ◊ 170 From Light Blue to Orange Red 171 ◊ 212 Rainbow effect with increasing speed 213 ◊ 255 Reverse rainbow effect with increasing speed	
	7	Gobo Wheel	 0–7  8–15  16–23  24–31  32–39  40–47  48–55  56–63	064 ◊ 071 Gobo 7 shake with increasing speed 072 ◊ 079 Gobo 6 shake with increasing speed 080 ◊ 087 Gobo 5 shake with increasing speed 088 ◊ 095 Gobo 4 shake with increasing speed 096 ◊ 103 Gobo 3 shake with increasing speed 104 ◊ 111 Gobo 2 shake with increasing speed 112 ◊ 119 Gobo 1 shake with increasing speed 120 ◊ 127 Open 128 ◊ 191 Rainbow effect with increasing speed 192 ◊ 255 Reverse rainbow effect with increasing speed
	8	Gobo Rotation	000 ◊ 063 Indexing 064 ◊ 147 Rotation with increasing speed 148 ◊ 231 Reverse rotation with increasing speed 232 ◊ 255 Boomerang with increasing speed	
	9	Prism	000 ◊ 007 Open 008 ◊ 012 Prism on 013 ◊ 130 Prism rotation with increasing speed 131 ◊ 247 Reverse prism rotation with increasing speed 248 ◊ 255 Static prism effect	
	10	Focus	000 ◊ 255	Motorized focus, zoom out to zoom in
	11	Dimmer	000 ◊ 255	0–100%

## DMX Channel Modes, Assignments, and Values (cont.)

Advanced Mode (cont.)	Channel	Function	Value	Setting
	12	Shutter	000 ○ 003	Closed
			004 ○ 007	Open
			008 ○ 076	Strobe effect with increasing speed
	13	Control Functions	077 ○ 145	Pulse strobe
			146 ○ 215	Random shutter
			216 ○ 255	Open
	13	Control Functions	000 ○ 007	No function
			008 ○ 015	Blackout while pan/tilt moving
			016 ○ 023	Blackout while moving color wheel
			024 ○ 031	Blackout while moving gobo wheel
			032 ○ 039	Disable blackout while pan/tilt/moving color wheel
			040 ○ 047	Disable blackout while pan/tilt/moving gobo wheel
			048 ○ 055	Disable blackout while moving all options
			056 ○ 095	No function
			096 ○ 103	Reset pan
			104 ○ 111	Reset tilt
			112 ○ 119	Reset color wheel
			120 ○ 127	Reset gobo wheel
			128 ○ 135	Reset gobo rotation
			136 ○ 143	Reset prism
			144 ○ 151	Reset focus
			152 ○ 159	Rest all channels
			160 ○ 255	No function
	14	Movement Macros	000 ○ 007	No function
			008 ○ 023	Automatic movement 1
			024 ○ 039	Automatic movement 2
			040 ○ 055	Automatic movement 3
			056 ○ 071	Automatic movement 4
			072 ○ 087	Automatic movement 5
			088 ○ 103	Automatic movement 6
			104 ○ 119	Automatic movement 7
			120 ○ 135	Automatic movement 8
			136 ○ 151	Sound-active movement 1
			152 ○ 167	Sound-active movement 2
			168 ○ 183	Sound-active movement 3
			184 ○ 199	Sound-active movement 4
			200 ○ 215	Sound-active movement 5
			216 ○ 231	Sound-active movement 6
			232 ○ 247	Sound-active movement 7
			248 ○ 255	Sound-active movement 8

## DMX Channel Modes, Assignments, and Values (cont.)

Basic Mode	Channel	Function	Value	Setting
	1	Pan	000 ◊ 255	0–540°
	2	Tilt	000 ◊ 255	0–270°
	3	Color Wheel	000 ◊ 007 008 ◊ 015 016 ◊ 023 024 ◊ 031 032 ◊ 039 040 ◊ 047 048 ◊ 055 056 ◊ 063 064 ◊ 066 067 ◊ 078 079 ◊ 092 093 ◊ 107 108 ◊ 120 121 ◊ 136 137 ◊ 152 153 ◊ 170 171 ◊ 212 213 ◊ 255	White Blue Yellow Pink Green Red Light Blue Orange Red White From White to Blue From Blue to Yellow From Yellow to Pink From Pink to Green From Green to Red From Red to Light Blue From Light Blue to Orange Red Rainbow effect with increasing speed Reverse rainbow effect with increasing speed
	4	Gobo Wheel	 0–7  8–15  16–23  24–31  32–39  40–47  48–55  56–63	064 ◊ 071 Gobo 7 shake with increasing speed 072 ◊ 079 Gobo 6 shake with increasing speed 080 ◊ 087 Gobo 5 shake with increasing speed 088 ◊ 095 Gobo 4 shake with increasing speed 096 ◊ 103 Gobo 3 shake with increasing speed 104 ◊ 111 Gobo 2 shake with increasing speed 112 ◊ 119 Gobo 1 shake with increasing speed 120 ◊ 127 Open 128 ◊ 191 Rainbow effect with increasing speed 192 ◊ 255 Reverse rainbow effect with increasing speed
	5	Gobo Rotation	000 ◊ 063 064 ◊ 147 148 ◊ 231 232 ◊ 255	Indexing Rotation with increasing speed Reverse rotation with increasing speed Boomerang with increasing speed
	6	Prism	000 ◊ 007 008 ◊ 012 013 ◊ 130 131 ◊ 247 248 ◊ 255	Open Prism on Prism rotation with increasing speed Reverse prism rotation with increasing speed Static prism effect
	7	Focus	000 ◊ 255	Motorized focus, zoom out to zoom in
	8	Shutter	000 ◊ 003 004 ◊ 007 008 ◊ 076 077 ◊ 145 146 ◊ 215 216 ◊ 255	Closed Open Strobe effect with increasing speed Pulse strobe Random shutter Open

---

## Configuration (Standalone)

Set the product in one of the standalone modes to control without a DMX controller.

1. Connect the product to a suitable power outlet.
2. Turn the product on.



**Never connect a product that is operating in any standalone mode (either Automatic or Sound-Active) to a DMX string connected to a DMX controller. Products in standalone mode may transmit DMX signals that could interfere with the DMX signals from the controller.**

## Sound-Active Mode

To enable the Sound-Active mode, do the following:

1. Press **<MENU>** and menu items show on the display with a blinking **<** next to the selected menu item.
2. Use **<UP>** or **<DOWN>** to select **Run**.
3. Press **<ENTER>** and **Slave**, **Fast**, **Slow** or **Sound** shows on the display.
4. Use **<UP>** or **<DOWN>** to select **Sound**.
5. Press **<ENTER>**.



**The product will only respond to low frequencies of music (bass and drums).**

## Automatic Modes

To enable either of the Automatic modes, follow the instructions below:

1. Press **<MENU>** and menu items show on the display with a blinking **<** next to the selected menu item.
2. Use **<UP>** or **<DOWN>** to select **Run**.
3. Press **<ENTER>** and **Slave**, **Fast**, **Slow**, or **Sound** shows on the display.
4. Use **<UP>** or **<DOWN>** to select **Fast** (Automatic mode, fast program) or **Slow** (Automatic mode, slow program).
5. Press **<ENTER>**.

---

## Master/Slave Mode

The Master/Slave mode allows a single Intimidator™ Spot LED 450 unit (the “master”) to control the actions of one or more Intimidator™ Spot LED 450 units (the “slaves”) without the need of a DMX controller. The master unit will be set to operate in either Automatic or Sound-Active mode, while the slave units will be set to operate in Slave mode. Once set and connected, the slave units will operate in unison with the master unit.

Configure the units as indicated below.

### Slave units:

1. Press **<MENU>** and menu items show on the display with a blinking **<** next to the selected menu item.
2. Use **<UP>** or **<DOWN>** to select **Run**.
3. Press **<ENTER>** and **Slave**, **Fast**, **Slow**, or **Sound** shows on the display.
4. Use **<UP>** or **<DOWN>** to select **Slave**.
5. Press **<ENTER>**.
6. Connect the DMX input of the first slave unit to the DMX output of the master unit.
7. Connect the DMX input of the subsequent slave units to the DMX output of the previous slave unit.
8. Finish setting and connecting all the slave units.

### Master unit:

1. Set the master unit to operate in **Fast** (Automatic) mode, **Slow** (Automatic) mode, or **Sound** (Sound-Active) mode.
2. Make the master unit the first unit in the DMX daisy chain.



- **Configure all the slave units before connecting the master unit to the DMX daisy chain.**
- **Never connect a DMX controller to a DMX string configured for Master/Slave operation because the controller may interfere with the signals from the master unit.**
- **Do not connect more than 31 slave units to the master unit.**

---

## Manual Pan/Tilt Operation

To select whether you want the Intimidator™ Spot LED 450 to operate with normal panning or inverted panning, do the following:

1. Press **<MENU>** and menu items show on the display with a blinking **<** next to the selected menu item.
2. Use **<UP>** or **<DOWN>** to select **Pan**.
3. Press **<ENTER>** and **Normal** or **Reverse** shows on the display.
4. Use **<UP>** or **<DOWN>** to select **Normal** pan operation or **Reverse** (inverse) pan operation.
5. Press **<ENTER>**.

To select whether you want the Intimidator™ Spot LED 450 to operate with normal tilting or inverted tilting, do the following:

1. Press **<MENU>** and menu items show on the display with a blinking **<** next to the selected menu item
2. Use **<UP>** or **<DOWN>** to select **Tilt**.
3. Press **<ENTER>** and **Normal** or **Reverse** shows on the display.
4. Press **<UP>** or **<DOWN>** to select **Normal** tilt operation or **Reverse** (inverse) tilt operation.
5. Press **<ENTER>**.

## Pan/Tilt Angle Range

You are able to select the ranges for the pan and tilt angles on the Intimidator™ Spot LED 450 to achieve the effect you like.

To select the pan angle range, do the following:

1. Press **<MENU>** and menu items show on the display with a blinking **<** next to the selected menu item.
2. Use **<UP>** or **<DOWN>** to select **Pan Angle**.
3. Press **<ENTER>** and **540**, **360**, or **180** shows on the display.
4. Use **<UP>** or **<DOWN>** to select either **540** (540° range), **360** (360° range), or **180** (180° range).
5. Press **<ENTER>**.

To select the tilt angle range, do the following:

1. Press **<MENU>** and menu items show on the display with a blinking **<** next to the selected menu item.
2. Use **<UP>** or **<DOWN>** to select **Tilt Angle**.
3. Press **<ENTER>** and **270**, **180**, or **90** shows on the display.
4. Use **<UP>** or **<DOWN>** to select either **270** (270° range), **180** (180° range), or **90** (90° range).
5. Press **<ENTER>**.



---

**Display** You are able to select the length of time the display's backlight remains on.

To select the time:

1. Press **<MENU>** and menu items show on the display with a blinking **<** next to the selected menu item.
2. Use **<UP>** or **<DOWN>** to select **Display**.
3. Press **<ENTER>** and **Bright** or **30Close** shows on the display.
4. Use **<UP>** or **<DOWN>** to select **Bright** (the display's backlight remains on) or **30Close** (the display's backlight turns off after 30 seconds of control panel inactivity).
5. Press **<ENTER>**.

**Reset Software** To reset the software on the Intimidator™ Spot LED 450, do the following:

1. Press **<MENU>** and menu items show on the display with a blinking **<** next to the selected menu item.
2. Use **<UP>** or **<DOWN>** to select **ResetSystem**.
3. Press **<ENTER>** and **No** or **Ok** shows on the display.
4. Use **<UP>** or **<DOWN>** to select **No** (does not reset the software settings) or **Ok** (resets the software settings).
5. Press **<ENTER>**.

**Factory Defaults** To load the factory default settings on the Intimidator™ Spot LED 450, do the following:

1. Press **<MENU>** and menu items show on the display with a blinking **<** next to the selected menu item.
2. Use **<UP>** or **<DOWN>** to select **Load Set**.
3. Press **<ENTER>** and **No** or **Ok** shows on the display.
4. Use **<UP>** or **<DOWN>** to select **No** (does not load the factory default settings) or **Ok** (loads the factory default settings).
5. Press **<ENTER>**.

## Changing Gobos

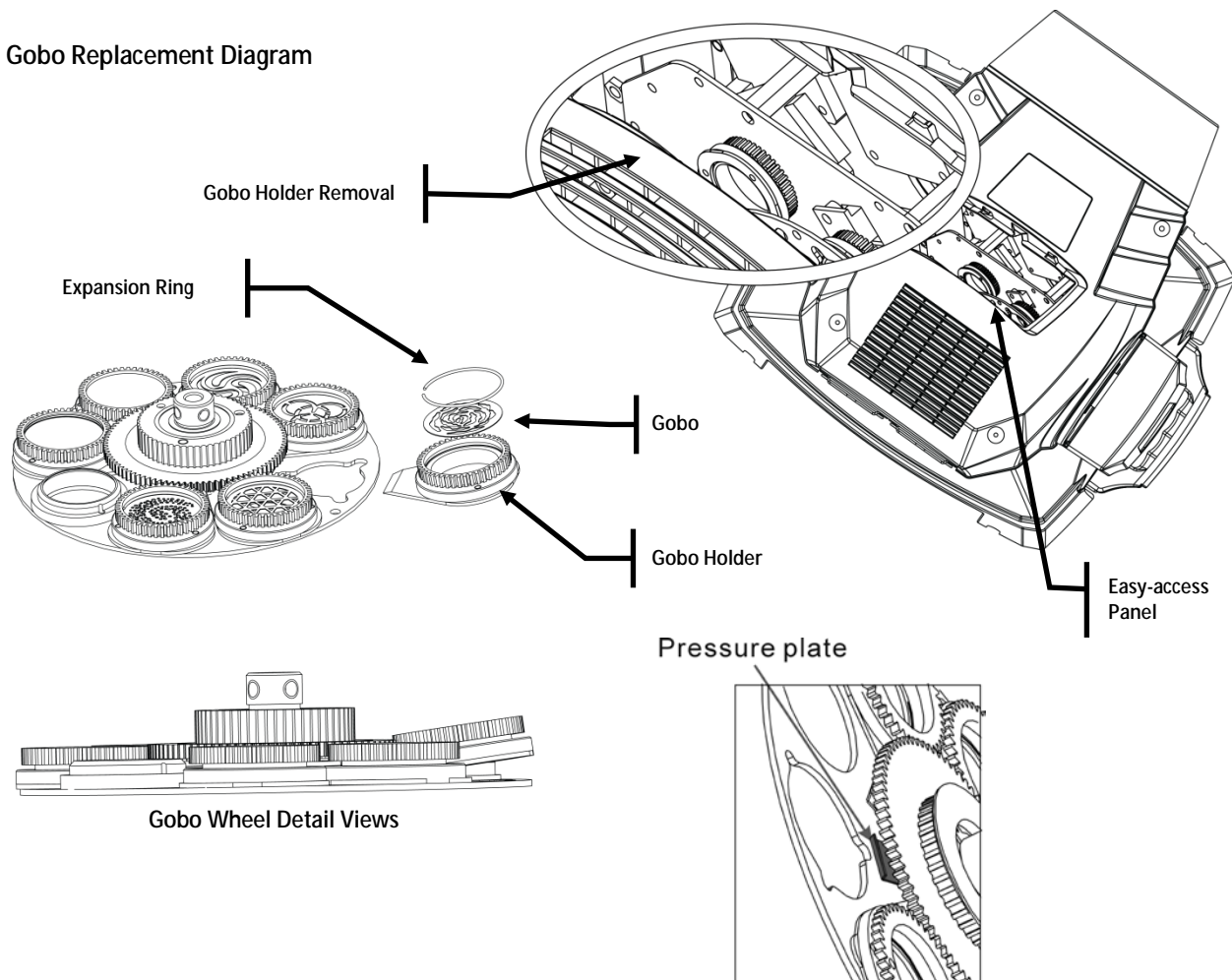
To change the gobos in the Intimidator™ Spot LED 450, **you do not need to remove the gobo wheel!** Simply:

1. Turn off and disconnect fixture from power outlet.
2. Place the product on a flat, level surface with the top facing up.
3. Access the gobo plate by removing the cover on the moving head. By hand, gently pry up the right side, and then push right with the indented handles.

**NOTE: If you expose the driver board, you are on the wrong side of the head. Replace the cover immediately and remove the cover on the opposite side of the moving head.**

4. Rotate the gobo wheel until the gobo that needs replacing is accessible.
5. Separate the gobo holder assembly away from the gobo wheel by pushing it forward and up. Be careful not to push the gobo out of the gobo plate.
6. Extract the gobo holder by pulling it outward (straight up).
7. On a flat surface, remove the expansion ring that holds the gobo in place and remove the gobo from the gobo plate.
8. Insert a new gobo and hold it in place with the expansion ring.
9. To re-insert the new gobo, slide the tip of the gobo holder under the pressure plate near the center of the gobo wheel.
10. Push the gobo holder assembly inwards. DO NOT force the gobo holder into the gobo wheel slot. Slightly move the holder from side-to-side if needed to get it to seat properly. If correctly installed, the bottom of the holder will be flush with the gobo wheel.
11. Push cover back into position.

### Gobo Replacement Diagram



---

## 5. TECHNICAL INFORMATION

### **Product Maintenance**

Dust build-up reduces light output performance and can cause overheating. This can lead to reduction of the light source's life and mechanical wear. To maintain optimum performance and minimize wear, clean the product at least twice a month. However, usage and environmental conditions contribute to increased cleaning frequency.

To clean the product, follow the instructions below:

- Unplug the product from power.
- Wait until the product is at room temperature.
- Use a vacuum (or dry compressed air) and a soft brush to remove dust collected on the external surface/vents.
- Clean all external optics and glass/transparent surfaces with a mild soap solution, ammonia-free glass cleaner, or isopropyl alcohol.
- Apply the solution directly to a soft, lint-free cotton cloth or a lens cleaning tissue.
- Softly wipe any dirt or grime to the outside edges of the external optics or glass/transparent surfaces.
- Gently polish the external optics and glass/transparent surfaces until they are free of haze and lint.



**Always dry the glass/transparent surfaces carefully after cleaning them.**



**Do not spin the cooling fans using compressed air because you could damage them.**

## 6. TECHNICAL SPECIFICATIONS

<b>Dimensions and Weight</b>	<b>Length</b>	<b>Width</b>	<b>Height</b>	<b>Weight</b>
	16.6 in (423 mm)	11.9 in (303 mm)	24 in (610 mm)	43.6 lbs (19.8 kg)
<b>Note:</b> Dimensions in inches rounded to the nearest decimal digit.				
<b>Power</b>	<b>Power Supply Type</b>	<b>Range</b>	<b>Voltage Selection</b>	
	Switching (internal)	100~240 V, 50/60 Hz	Auto-ranging	
	<b>Parameter</b>	<b>120 V, 60 Hz</b>	<b>230 V, 50 Hz</b>	
	Consumption	400 W	395 W	
	Operating current	3.3 A	1.7 A	
	Fuse	F 7 A, 250 V	F 7 A, 250 V	
<b>Light Source</b>	<b>Power I/O</b>	<b>U.S./Worldwide</b>	<b>UK/Europe</b>	
	Power input connector	IEC	IEC	
	Power output connector	Edison	IEC	
	Power Cord plug	Edison (U.S.)	Local plug	
<b>Photo Optic</b>	<b>Type</b>	<b>Power</b>	<b>Lifespan</b>	
	LED	60 W	50,000 hours	
	<b>Color</b>	<b>Quantity</b>	<b>Current</b>	
	White	3	16 A	
<b>Thermal</b>	<b>Parameter</b>			
	Illuminance @ 2 m	23,680 lx		
	Beam angle	19°		
	Strobe rate	0–20 Hz		
	Pan and Tilt	540°		270°
	Pan/Tilt ranges	540°, 360°, 180° Pan		270°, 180°, 90° Tilt
	Gobo size	26.75 mm outside 23 mm image 3 mm maximum thickness		
<b>DMX</b>	<b>Maximum External Temp.</b>	<b>Cooling System</b>		
	104° F (40° C)	Fan cooled		
<b>Ordering</b>	<b>I/O Connectors</b>	<b>Connector Type</b>	<b>Channel Range</b>	
	3-pin XLR	Sockets	8, 14	
<b>Ordering</b>	<b>Product Name</b>	<b>Item Code</b>	<b>UPC Number</b>	
	Intimidator™ Spot LED 450	08010611	781462209599	



To return a product or request support:

- In the U.S., contact CHAUVET® World Headquarters (see below).
- In the UK or Ireland, contact CHAUVET® Europe Ltd. (see below).
- In any other country, DO NOT contact CHAUVET®. Contact your distributor. See [www.chauvetlighting.com](http://www.chauvetlighting.com) for distributors outside the U.S., United Kingdom, or Ireland.



**If you live outside the U.S., United Kingdom, or Ireland, contact your distributor of record and follow their instructions on how to return CHAUVET® products to them. Visit our website for contact details.**

## Returns

Call the corresponding CHAUVET® Technical Support office and request a Return Merchandise Authorization (RMA) number before shipping the product. Be prepared to provide the model number, serial number, and a brief description of the cause for the return.

You must send the merchandise prepaid, in its original box, and with its original packing and accessories. CHAUVET® will not issue call tags.

Clearly label the package with the RMA number. CHAUVET® will refuse any product returned without an RMA number.



**Write the RMA number on a properly affixed label. DO NOT write the RMA number directly on the box.**

Before sending the product, clearly write the following information on a piece of paper and place it inside the box:

- Your name
- Your address
- Your phone number
- The RMA number
- A brief description of the problem

Be sure to pack the product properly. Any shipping damage resulting from inadequate packaging will be your responsibility. FedEx packing or double-boxing are recommended.



**CHAUVET® reserves the right to use its own discretion to repair or replace returned product(s).**

## Contact Us

### World Headquarters CHAUVET®

#### General Information

Address: 5200 NW 108th Avenue  
Sunrise, FL 33351  
Voice: (954) 577-4455  
Fax: (954) 929-5560  
Toll free: (800) 762-1084

#### Technical Support

Voice: (954) 577-4455 (Press 4)  
Fax: (954) 756-8015  
Email: [tech@chauvetlighting.com](mailto:tech@chauvetlighting.com)

#### World Wide Web

[www.chauvetlighting.com](http://www.chauvetlighting.com)

### United Kingdom & Ireland CHAUVET® Europe Ltd.

#### General Information

Address: Unit 1C  
Brookhill Road Industrial Estate  
Pinxton, Nottingham, UK  
NG16 6NT  
Voice: +44 (0)1773 511115  
Fax: +44 (0)1773 511110

#### Technical Support

Email: [uktech@chauvetlighting.com](mailto:uktech@chauvetlighting.com)

#### World Wide Web

[www.chauvetlighting.co.uk](http://www.chauvetlighting.co.uk)