

# Users Manual

## AGCO AgCam® Combine Kits

BQC9K-C2T .....	2 Camera Field Install Transverse Combine Kit
BQC9K-C4T .....	4 Camera Field Install Transverse Combine Kit
BQC9K-C2A .....	2 Camera Field Install Axial Combine Kit
BQC9K-C4A .....	4 Camera Field Install Axial Combine Kit
BUSBK-C2 .....	C2100 - 2 Camera Field Install Kit Transverse & Axial kit

### Table of Contents

I. <u>Included Components</u>	<u>2</u>
II. <u>Standard Features</u>	<u>2-3</u>
A. <u>Cameras</u>	
B. <u>Quad Monitors</u>	
C. <u>Cables</u>	
III. <u>Parts of an AgCam</u>	<u>3</u>
IV. <u>Camera Mounting</u>	<u>3-4</u>
V. <u>Camera Warnings</u>	<u>4</u>
VI. <u>Cable Routing Tips &amp; Warnings</u>	<u>4</u>
VII. <u>Monitor Installation &amp; Mounting</u>	<u>4-7</u>
A. <u>Mounting Precautions</u>	
B. <u>Mounting you AgCam in Axial Combine</u>	
C. <u>Installing your C2100 Video Adaptor</u>	
D. <u>Installing your Under Cab Harness</u>	
VIII. <u>Remote &amp; Monitor Operation</u>	<u>5-8</u>
A. <u>Quad Monitor Operations – Front</u>	
B. <u>Quad Monitor Operations – Back</u>	
C. <u>Remote Operations</u>	
IX. <u>Standard Monitor Menu Settings</u>	<u>9</u>
X. <u>Quad Monitor Menu Settings</u>	<u>10-11</u>
XI. <u>Specifications</u>	<u>12</u>
XII. <u>Warnings</u>	<u>13</u>
XIII. <u>Product Warranty/Repair Process</u>	<u>14</u>
XIV. <u>Consumer Limited Warranty</u>	<u>15</u>
XV. <u>Disclaimer</u>	<u>16</u>
XVI. <u>Contact Us</u>	<u>16</u>



**MORE**

**Capable**  
**Profitable**  
**Reliable**

*Always read the manual prior to operating this equipment. Also, please follow all safety signs and precautions.*

## I. INCLUDED COMPONENTS

### All Field Install Kits Include:

Qty 1 – Four (4) camera input, under cab harness (AGCO PN: BCOMB-4C).

### 9" Quad Monitor Kit Include:

Transverse - BQC9K-C2T and BQC9K-C4T kits include:

- Qty 1 – 9" Quad Monitor
- Qty 2 – Monitor Bracket Wing Bolts
- Qty 1 – Transverse Combine Monitor Bracket
- Qty 1 – Monitor Remote

Axial - BQC9K-C2A and BQC9K-C4A kits include:

- Qty 1 – 9" quad monitor
- Qty 2 – Monitor Bracket Wing Bolts
- Qty 1 – Axial Combine Monitor Bracket
- Qty 1 – Monitor Remote

### C2100 Kits Include:

BUSBK2 kits include:

- Qty 1 – USB Video Input Adaptor for C2100 Monitor

### Camera Kits Include:

BQC9K-C2T, BQC9K-C2A and BUSBK-C2 kits include the following cameras & cables:

- Qty 2 - AGCO AgCam® PAL Cameras (AGCO PN: AC-RC)
- Qty 1 - 20' Power/Video Cable (AGCO PN: AC-EC20)
- Qty 1 - 40' Power/Video Cable (AGCO PN: AC-EC40)

BQC9K-C4T and BQC9K-C4A kits include the following cameras & cables:

- Qty 4 - AGCO AgCam® PAL Cameras (AGCO PN: AC-RC)
- Qty 2 - 20' Power/Video Cable (AGCO PN: AC-EC20)
- Qty 2 - 40' Power/Video Cable (AGCO PN: AC-EC40)

## II. STANDARD FEATURES

### A. Cameras

- Waterproof, shockproof, and suitable for nearly any use.
- Minimum focal distance of 5".
- Built-in, high quality CCD camera with high performance infrared (IR) illuminator modules.
- IR has effective range of 45'+ in complete darkness.
- Built-in CDS light-source sensor automatically turns the IR's on/off by detecting the light intensity of the environment.
- Our exclusive Photogray camera body lens darkens in bright conditions and becomes completely transparent under low light conditions. This lens is also transparent of infrared light, allowing the LED's to penetrate even when it is darkened.
- Standard lens features 92° field of view (3.6mm).
- Optional lenses available include: 6mm, 12mm & 16mm. (A complete lens guide is available on our website.)
- Function plugs on Elite AGCO AgCam® versions allow for IR ON/OFF and switching of forward/reverse image.
- Removable/replaceable camera tail.

### B. Quad Monitors

- Features the latest in LCD technology.
- Adjust brightness, contrast, saturation, hue and sharpness for each camera, adjustable for both the monitor and quad settings.
- Credit card style remote control included

- Full quad display at real time refresh rate (60fps).
- Supports both NTSC and PAL video formats.
- Camera title settings allow you to uniquely name each camera.
- Individually mirror each camera.
- On screen display includes date & time.
- View 1, 2 or 4 cameras at the same time.

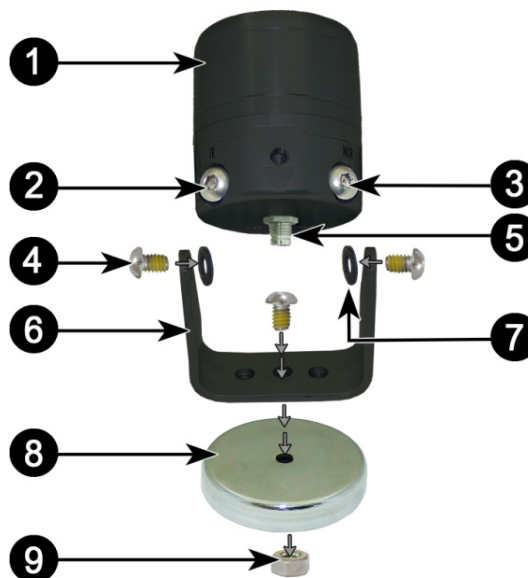
### C. Cables

- Silicone jacket enables high flexibility in all temperatures.
- Our durable power/video extension cables come in 20' and 60' standard lengths and feature sturdy, watertight connectors.
- **Additional power/video cables available in the following lengths: 10', 30', 40', 50' & 80'.**

## III. PARTS OF AN AGCAM

### A. Camera

1. Camera Body
2. IR Function Plug \*
3. MIR Function Plug\*
4. Retaining Screw (x3)
5. Camera Tail Input
6. Camera Bracket
7. Fiber Washer (x2)
8. Magnet
9. Magnet Nut



\*Function Plugs (Elite Models Only)

There are two (2) function plugs on the bottom of each Elite AGCO AgCam® camera, near the camera tail. They will look like two (2) additional screws at a slight angle recessed into the camera body. The function plugs utilize a polarized magnet to change camera functionality.

- **IR ON/OFF** - This function plug requires a magnet to allow for the IR LED's to function in low light conditions. If you remove the polarized magnet, the IR LED's will *NOT* come on.
- **MIR/FOR** - This function requires a magnet to activate/deactivate the mirror/forward function of the camera. Elite cameras are shipped from the factory with the MIR magnet installed.

## IV. CAMERA MOUNTING

After camera is securely mounted, plug the camera pigtail into rear of AGCO AgCam® camera. You can now plug the remaining end of the pigtail into your power/video extension cable. Make sure the extension cables are securely attached and locked (¼ turn will lock the cables together).

### A. Temporary Mounting

- For temporary mounting, it is recommended that you use the supplied 65# pull magnet. If using magnetic mount, fasten camera cable with a zip tie or other style fastener. This will act as a "safety wire" in the event your camera is knocked loose for some reason. When selecting a location, make sure that the equipment surface is clean of all foreign material and as flat as possible to ensure that the magnetic camera base will have good contact and not vibrate off. The thicker the metal base, the more securely your magnet will hold.

### B. Permanent Mounting

- For permanent mounting, it is recommended that you remove the magnet and attach the camera bracket to any solid surface with two (2) screws.

### C. Suggestions for Camera Mounting

- When determining the location for the camera, it is always best to use a solid surface to minimize vibration.
- **Important-** *Ladders are not good mounting choices due to lack of stability.*
- If you will be using your AgCam® for assisting in visibility for towing, you will want to position the camera so you can see the desired area and a portion of the vehicle/trailer in tow; this will give you some reference to distance. You will also want to use the mirrored setting in the monitor menu or remove the magnet in the MIR function plug on the camera so as to accurately represent left and right. This will give you the effect of looking in a rear view mirror.

## V. CAMERA WARNINGS

### A. NEVER RELY ON YOUR AGCAM® AS A SAFETY FEATURE.

It is up to your discretion to keep your road travel and other operations safe. Your AgCam® will provide you with information only based on what it sees. Operation of machinery safety guidelines still apply.

- B. The AgCam® is equipped with an array of infrared light emitters which are invisible to the human eye. This feature will aid in low light conditions but has limitations. The effective range of the night vision feature is 1 to 45+ feet and will produce a monochrome image only.

DO NOT ATTEMPT TO DRIVE MACHINERY USING THIS FEATURE.

## VI. CABLE ROUTING TIPS & WARNINGS

*There are two (2) lengths of cable that come standard with our AgCam® camera kits: One (1) 20' and one (1) 60'. If you would like to purchase different, or additional, cable lengths, please contact your local AgCam® dealer.*

- A. Cable routing is important; where you choose to run the cables should not interfere with the normal operation of the machine or any safety equipment.
- B. **ALWAYS** be aware of any “pinch points” or other potential hazards to the cable(s).
- C. Secure all cables to vehicle/equipment using cable clips, zip ties or other style fasteners.
- D. If you intend to use your AgCam® for short length PTO operated implement, avoid excess cable lengths, if possible. When you decide on a location, you should fix the camera to a permanent bracket using ¼ inch bolts, and attach any loose cable securely so there is no chance of entanglement in the PTO or other moving parts.
- E. If you use your AgCam® to monitor a combine hopper or other combine operations, take care to remember that combines have many moving parts. Use extreme care when routing cables, and it is strongly recommended that you use bolts to secure the camera. While it would be sufficient to use the magnetic base for monitoring purposes during road travel, it is advised to secure the camera with bolts during operation of the combine.

## VII. MONITOR INSTALLATION & MOUNTING

### A. Mounting Precautions

*Remove your monitor carefully from packaging and inspect all mounting hardware. Mounting location is the most important part of the monitor installation as it ensures you the maximum visual benefit from your AgCam® system.*

*With that said, when installing your monitor, ensure to follow these three (3) precautions:*

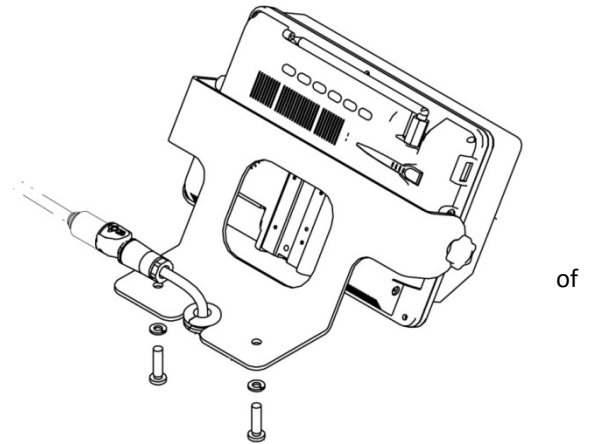
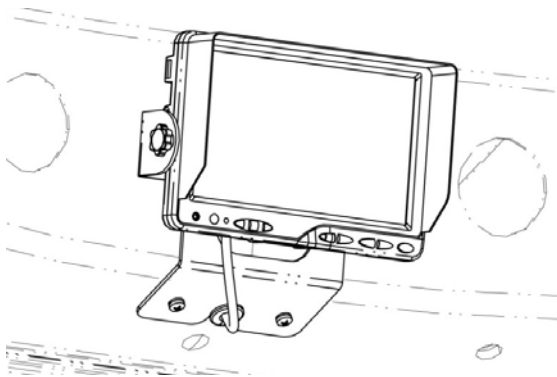
1. The monitor is out of direct sunlight. This will prolong the life of the unit as well as ensure optimum visibility.
2. The monitor does not obstruct view.
3. The monitor does not interfere with the normal operation of equipment.

### **WARNING:**

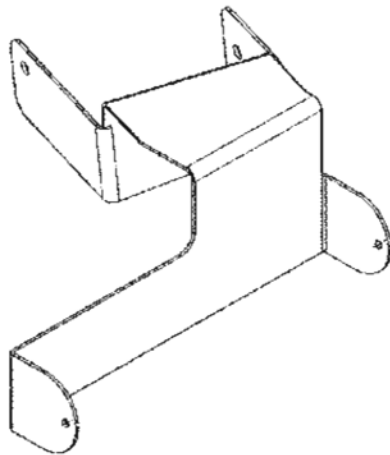
***Dakota Micro, Inc. is not responsible for any damages caused to your monitor, or yourself, due to the improper installation or use of a suction cup monitor mount, whether it be product sold by DM or product purchased from another source.***

**B. Mounting your AgCam® Monitor – Axial Combine:**

1. Remove front headliner portion of your **Axial** combine (for visual reference, when installation is complete, your AgCam® monitor will be mounted between the two round vents. You are looking for the access holes behind the headliner between these two points).
2. Knockout pre-drilled hole in main headliner (located between bracket mounting holes).
3. Attach monitor bracket to **headliner** (NOT to cab roof) by threading the two included screws & washers into bottom the monitor bracket, through main headliner. With this in mind, the order of components will be: screw, washer, bracket, and headliner.
4. Feed monitor harness/Quick Connect connector through hole in display bracket.



5. You will find the connection for the monitor behind the headliner. Connect display harness to cab harness from above front headliner.
6. Apply split grommet to display harness and seat in monitor bracket hole.
7. Secure monitor to monitor bracket using wing bolts.
8. Reinstall front headliner with monitor and bracket now attached, screw bracket screws through roof cab to complete bracket installation.

**C. Mounting your AgCam monitor –Transverse Combine:**

1. Locate the bracket mounting hole on the front side of the front, right hand cab post.
2. Secure bracket to post temporarily using standard bolt.
3. Position bracket on post so that display mounting tabs are level.
4. Using a pencil, mark the location on the post for the 2<sup>nd</sup> screw.
5. Remove the bolt that was temporarily installed in step 2 and set the bracket aside.
6. Drill a 7/32" diameter hole in the post at the location marked in step 4.
7. Place bracket on post and install using the standard bolt on the front (left) side and a **thread rolling screw** on the rear (right) side.

**D. Installing your C2100 Video Adaptor (For BUSBK-C2 kits only)**

1. Plugs into Quick Connect port located behind headliner (see section 5 for location).
2. Plugs into USB port on rear of C2100 monitor.

**IMPORTANT: C2100 Monitors can ONLY display 2 cameras.**

**E. Installing your Under Cab Harness (Transverse & Axial):**

Your under cab video harness looks like this:

1. Plugs into port on underside of combine
2. AgCam® video input ports (max 2 for C2100, max 4 for AgCam® Quad monitor)



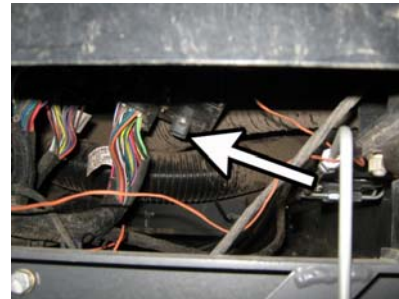
3. On both Axial and Transverse combines, your under cab harness video connector will be located under the center, front section of the cab, as indicated below:



4. Close up of Axial connection points



5. Close up of Transverse connection points



**VIII. REMOTE & MONITOR OPERATION**

**a. Quad Monitor Operations - Front**



1	Headphone Jack	Output for audio (if using monitor with 3rd party products).
2	Full Screen	Will show cameras 1/2/3/4 each time pressed.
3	Duplex Screen	Will show cameras 1/2 and cameras 3/4 each time pressed.
4	Quad Screen	First press will display all four (4) cameras connected. Second press initiates auto. rotation between Quad screen/cam 1/cam 2/cam 3/cam 4. Duration each camera remains on screen is able to be changed in PRESET menu (loop time).
5	- Key	To decrease parameter.
6	+ Key	To increase parameter.
7	MENU	To switch menu selection, press multiple times. To go to next icon, use +.
8	AV Key	Will exit menu settings and return to camera view.
9	POWER	Turns monitor ON/OFF.
<b>Ports 10 &amp; 11 are located on sides and bottom of monitor.</b>		
10	VGA Input	Input for VGA from computer or other console (duplicates image from input device).
11	Quad Input	USB female connector for Quad processor.

**NOTE:** Turn the monitor on only after it has been securely mounted, supplied with power, and the cameras are connected.

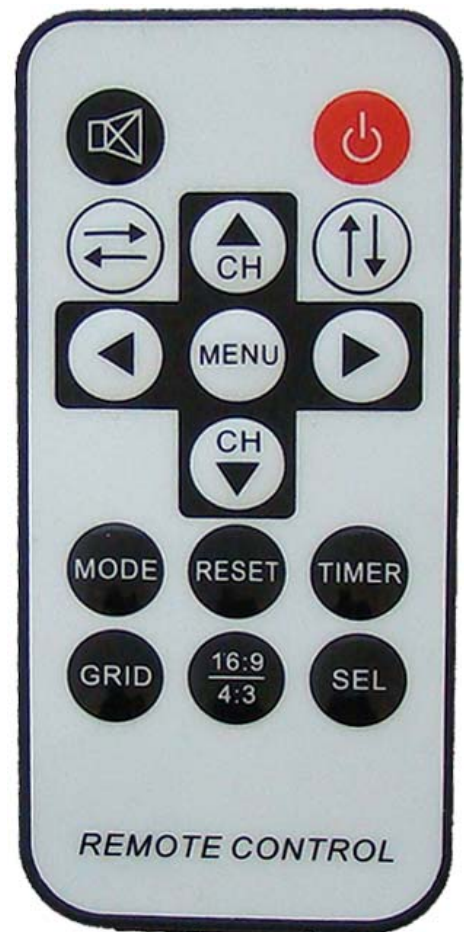
**b. Quad Monitor Operations - Back**



▲ and ▼	Move up and down through individual menu options
▶ and ◀	Move left and right through individual menu options
ENTER	Allows users to select a chosen Quad option
MENU	Button displays Quad menu options on monitor

**c. Remote Operations**

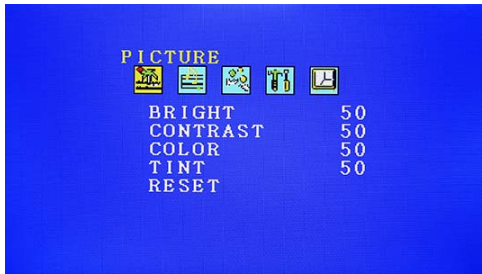
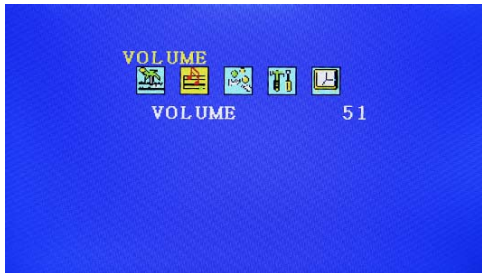



	POWER ON/OFF
	Mute Enable/Disable sound
	Flip image Left/Right
	Flip image Up/Down
	Navigation Arrows
	MENU - Enters the menu Also acts as "enter" button in menu settings
	MODE - Adjusts screen display modes
	RESET - Reset your selection
	TIMER - Enables timer that will turn off monitor
	GRID - Superimpose a grid on screen
	Aspect Ratio - adjustment normal/wide
	SEL - Chooses the highlighted selection in MENU





**IX. STANDARD MONITOR MENU SETTINGS**

1. Press the MENU key on the face of monitor or remote. Use the – and + keys on the monitor or the LEFT and RIGHT arrow keys on the remote to move through the icons at the top of the screen.
2. Use the MENU key on the monitor (up and down arrows on remote) to select an item under each section. Selected menu items turn red.
3. Use – or + on the monitor (left and right arrows on remote) to change the value of the highlighted item.
4. To exit: Press the – or + key on the monitor (left or right arrow on remote) multiple times until the menu goes away. Allow monitor to time out (approximately 5 seconds).

	<p><b>PICTURE</b></p> <p><b>BRIGHT:</b> Adjusts the brightness of the image.</p> <p><b>CONTRAST:</b> Adjusts the contrast of the image.</p> <p><b>COLOR:</b> Adjusts the color of the image.</p> <p><b>TINT:</b> Adjust tint of image. (Appears only when camera is plugged in.)</p> <p><b>RESET:</b> Returns settings to factory default.</p>
	<p><b>VOLUME</b></p> <p><b>VOLUME:</b> Adjusts the volume level</p>
	<p><b>OPTION</b></p> <p><b>ROTATE:</b> Invert image on screen</p>
	<p><b>SYSTEM</b></p> <p><b>LANG:</b> Select your language (English default)</p> <p><b>SOURCE:</b> Adjusts the AV input source (AV1 default).</p>
	<p><b>PRESET</b></p> <p><b>SLEEP:</b> Enables sleep timer delay setting (in minutes).</p>

**X. QUAD MENU SETTINGS**



1. Press and hold the **MENU** button on **REAR** of monitor (Refer to “Quad Monitor Operations – Back” pg. 7) for 3 seconds
2. Use **REAR** arrow buttons (Refer to pg. 7) to select desired menu to adjust.
3. Use **ENTER** button on REA (Refer to pg. 7) to select desired option on any menu screen.
4. Use **REAR MENU** button to exit out of any menu option.
5. Use **▲** and **▼** to move up and down through individual menu options.
6. Use **▲** and **▼** to change information on individual line items.
7. Press and hold **REAR MENU** button for 3 seconds to exit menu setup.



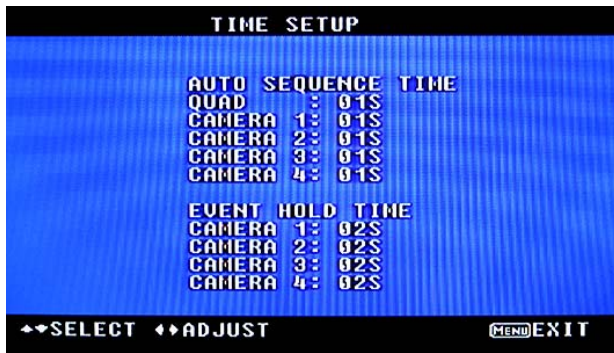
**SYSTEM SETUP**

- DATE:** Set your current date. MONTH:DAY: YEAR
- TIME:** Set your current time. HOUR:MINUTE:SECOND
- SYSTEM FORMAT:** Video system. NTSC/PAL selectable.
- SYSTEM ID NUMBER:** Select unique ID # for quad.
- KEY LOCK:** When set to ON position, only individual camera views available. When set to OFF position, all functions available
- CAMERA PRIORITY:** Function not available on this model.
- VCR OUT:** Function not available on this model.
- POWER ON OUTPUT:** Selects the type of display image shown on power on.
- FACTORY RESET:** Restores unit to factory preset options.



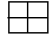
**DISPLAY SETUP**

- DISPLAY ON SCREEN:** Press ENTER to select what information is displayed on screen.
- SCREEN POSITION: X** - Use the **▶** (right arrow) and the **◀** (left arrow), to move the screen from side to side.
- Y** - Use the **▶** (right arrow) to move the screen up and the **◀** (left arrow) to move the screen down.
- FOUR CHANNEL:** Default is QUAD mode
- BORDER COLOR:** Press ENTER to select which border color is displayed.



**TIME SETUP**

**AUTO SEQUENCE TIME:** Allows for the automatic rotation of the images, including all full screen images and the Quad view. You can adjust the delay time for each camera from 1 to 99 seconds.

To enable auto sequence, press and hold the  button on the front of your monitor (#3 in the diagram on page 6). Press and hold to disable auto sequence.

**EVENT HOLD TIME:** Only for the use with event triggers. Allows for the programming of how long the event trigger camera image continues after event has been discontinued.



**CAMERA SETUP**

**CAMERA:** Select cameras 1-4 to adjust.

**TITLE:** ► & ◀ change parameter.

**BRIGHTNESS:** ► Increases brightness, ◀ decreases brightness

**CONTRAST:** ► Increases contrast, ◀ decreases contrast

**SATURATION:** ► Increases saturation, ◀ decreases saturation

**HUE:** ► Increases hue, ◀ decreases hue

**SHARPNESS:** ► Increases sharpness, ◀ decreases sharpness

**H MIRROR:** When ON, mirrors image horizontally.

**V MIRROR:** When ON, mirrors image vertically.

**XI. SPECIFICATIONS**

<b>A. Camera</b>	
Video System	PAL (Black Cameras)
Effective Picture Elements	510*492
Image Pick-up Device	SONY 1/3" Super HAD CCD Sensor
Horizontal Resolution	720 Horizontal lines
Minimum Illumination	0 LUX @ F2.0
S/N Ration	More than 48dB
Auto Electronic Shutter	1/60s~1/100,000s, ON/OFF Switch-able
Auto White Balance	Color Temperature: 2500K~9500K
Auto Gain Control	High/Low Switch-able
Auto Iris Control	Video-Drive Iris Control
Scanning System	Interlace 2:1
Gamma Characteristic	0.45
Lenses Furnished	Board Lens 3.6mm/F2.0, Photogray Body
Synchronous System	Internal, Negative sync.
Back Light Compensation	On/Off Switch-able
Video Output	1 Vp-p/75 Ohms.
Operating Temp.	-45°F~150°F (-42°C~66°C)
Construction	Aluminum Case
Waterproofing criteria	IP 69
Dimensions	53x58 (L) mm (Body Only)
<b>B. LCD Monitor</b>	
Screen Size	9" (16:9) digital panel
Overall Size	235(L)X155(W)X36.5(H)mm
Weight	600g
Power Input	DC 10.5-16.9V, >1,200 ma
Color System	NTSC/PAL manual switch
Operating Temp.	-30°F~130°F (-34°C~+54°C)
Touch Panel	4-Wire resistance (optional function)
Brightness	400cd/m <sup>2</sup>
Resolution (HxV)	800(RGB)x480
Contrast	500:1
Viewing Angle	L/R: 70° Up: 70° Down: 60°
Operating Voltage	Min. 12v (Check monitor label for specific voltage range)
<b>C. Quad Processor</b>	
Refresh Rate	NTSC: 60fps/PAL: 50fps
Resolution (HxV)	NTSC: 860x525/PAL: 660x625
Environmental Rating	IP50
Operating Temp	-45°F~150°F (-42°C~66°C)
Video Freeze Duration	1-99 Seconds
Video Output Format	Full/Quad/H-Quad/Freeze/Auto Switch
Video Output Signal	1Vp-75 Ohm CVBS out
Video Output Port	Switchcraftx1 Monitor Out, RCax1 Video Out
Video Input Port	X4 cameras +1 VCR In

**XII. WARNINGS**

- When selecting a camera system from Dakota Micro, be sure to utilize the appropriate system for your use. AgCam and EnduraCam cameras are designed for high impact, moisture, vibration and a variety of other rough conditions. OverView cameras and kit components are designed for light use, low vibration and low moisture. OverView equipment is not warranted when used in situations outside of the above mentioned parameters. We always request that customers keep in mind that our less expensive OverView product line is cheaper because it does not feature the reliability and durability of our AgCam and EnduraCam lines. The warranty available on these products reflect that durability.
- To avoid electrical shock and maintain optimal functionality, do not open the enclosures. High voltage may be present and there are no user serviceable parts inside. All warranties will be void should any enclosures be tampered with in any way.
- Do not use any harsh chemical solvents, cleaning agents or corrosive detergent to clean away dirt on the surface of the screen or lens.
- On AgCam and EnduraCam products, the photo-chromic camera lenses have been made impact-resistant and have been drop-ball tested according to Sec. 3.84,21 CRF BUT ARE NOT UNBREAKABLE. Because they have been hardened chemically, they show no stress pattern. Inspect your lenses frequently. Chipped or scratched surfaces will reduce protection. Such lenses should be replaced only by the manufacturer.
- Power to cameras is not interrupted by turning off monitor; 12v power source must be terminated when not in use to avoid battery drain. To avoid this problem be sure when hard wiring a unit, use a fused circuit.
- Do not use your Dakota Micro camera system for anything other than legal surveillance and observation uses. Dakota Micro, Inc. is not liable for any illegal or nefarious usage.

**XIII. PRODUCT WARRANTY/REPAIR PROCESS**

1. For Technical Support call 1 866 462-4226 OR email techsupport@dakotamicro.com
2. Technician will assist in troubleshooting product malfunction.
3. If product malfunction cannot be remedied and a repair is deemed necessary, Technician will issue a Repair Authorization (RA) number.

**IMPORTANT NOTE:**

*The Technician will note on the RA form if the repair APPEARS to be a warranty or non-warranty issue based on customer description of the issues at hand. No final determination can be made until inspection and testing of the equipment is completed at the factory.*

4. To ensure fast and effective repairs, customer is required to send:
  - Dakota Micro Product that Technician has requested/deemed necessary in the proper diagnosis and repair of malfunction. This may include some or all components of the kit.
  - Original/Copy of purchase receipt.
  - For serialized items ONLY; If a copy of the original purchase receipt cannot be provided, then DAKOTA MICRO will use the product manufacture date.
  - Customer information, including return street addresses (**NO** PO Boxes) & phone number. If the phone number is not included, the customer will be sent a letter requesting the needed information.
  - RA Number provided by Dakota Micro Technical Support
  - Shipping and associated costs to ship product to DM factory to be borne by the customer unless otherwise specified.
5. Customer should mail product to:
  - Dakota Micro, Inc.**
  - RA # XXXXX**
  - 8659 148th Ave. SE**
  - Cayuga, ND 58013**
6. Upon receipt and evaluation of product at Dakota Micro Factory, it will be established if the repair is warranty or non-warranty. If requested, customer will be called and notified of any applicable charges.
7. If the repairs are deemed non-warranty, and require a service/repair fee of any kind, a credit card number will be requested by Order Processing after the repair is completed.
8. If customer is unable to be contacted over the course of 3 weeks regarding required non-warranty repairs, product will be returned, unrepared, to the customer.
9. Any product returned without proper documentation may be returned at customer's expense.
10. Product returned with unconfirmed problems will be assessed a \$60 evaluation fee per unit
11. Return shipping costs will be borne by the party at fault; in other words, if Dakota Micro determines that the defective product was covered under warranty, Dakota Micro pays the shipping charges. If Dakota Micro determines that it was the customers fault, the customer will pay shipping charges. If a particular circumstance cannot be determined than the cost of shipping charges will be decided on a discretionary basis depending on the situation at hand.

#### **XIV. CONSUMER LIMITED WARRANTY**

Subject to the disclaimer, limitations and other directions stated hereafter, Dakota Micro, Inc. warrants that the Product will be free from defects in material and workmanship for periods as stated hereafter from the date of original purchase. **THIS WARRANTY IS EXPRESSLY MADE IN LIEU OF ANY AND ALL OTHER WARRANTIES, EXPRESS OR IMPLIED, INCLUDING THE IMPLIED WARRANTIES OF MERCHANTABILITY OR FITNESS. THE EXCLUSIVE REMEDY OF THE BUYER IS LIMITED TO REPAIR OR REPLACEMENT OF THE PRODUCT. EXCEPT AS STATED IN THIS WARRANTY, DAKOTA MICRO SHALL NOT BE LIABLE FOR ANY LOSS, INCONVENIENCE, OR DAMAGE, INCLUDING DIRECT, SPECIAL, INCIDENTAL, OR CONSEQUENTIAL DAMAGES, RESULTING FROM THE USE OR INABILITY TO USE THE PRODUCT, WHETHER RESULTING FROM BREACH OF WARRANTY, NEGLIGENCE, STRICT LIABILITY OF ANY OTHER LEGAL THEORY.** Any oral statements or representations made by anyone which are contrary to or at variance with the terms stated in this **LIMITED WARRANTY** are void.

Dakota Micro will, at its option, either repair the defect or replace the defective Product or part thereof with a new or remanufactured equivalent at no charge to the purchaser for parts or labor for the period of three (3) years for AgCam® /EnduraCam® cameras, two (2) years for AgCam®/ EnduraCam® monitors, quads and Wireless components, Twelve Months (12) for all Overview Cameras & Monitors and one (1) year for Mini DVR, cables and all other accessories.

The Dakota Micro limited warranty periods outlined above apply throughout the United States and Canada only. A one (1) year maximum limited warranty for all Products applies to all other geographic locations unless otherwise stated in writing by Dakota Micro.

This limited warranty does not apply to any issues connected with appearance that have no relation to the performance of the Product nor to any Product the exterior of which has been damaged or defaced, which has been subjected to improper voltage or other misuse, abnormal service or handling, or which has been altered or modified in design or construction.

In order to enforce the rights under this limited warranty, the purchaser should follow the steps set forth in the complete Dakota Micro "Warranty & Repair Policy" listed on page 11 - section XVI, and provide proof of purchase to Dakota Micro.

Neither the sales personnel of Dakota Micro nor any dealer or any other person is authorized to make any warranties other than those described herein, or to extend the duration of any warranties beyond the time periods described herein.

The warranties described herein shall be the sole and exclusive warranties and remedies provided by Dakota Micro. Correction of defects, in the manner and for the period of time described herein, shall constitute complete fulfillment of all liabilities and responsibilities of Dakota Micro to the purchaser with respect to the Product, and shall constitute full satisfaction of all claims. In no event shall Dakota Micro be liable or in any way responsible for any damages or defects in the Product which were caused by repairs or attempted repairs performed by anyone other than Dakota Micro.

Some states do not allow the limitation or exclusion of incidental or consequential damages, so said limitation may not apply to you.

Any action at law, suit in equity, or other judicial proceeding for the enforcement of any right provided for herein or otherwise, or with respect to any claim that a purchaser may have against Dakota Micro shall be instituted only in the Courts of the State of North Dakota, either in the state district court located in Wahpeton, North Dakota or in Federal District Court location in Fargo, North Dakota. Without regard to conflicts of law principles, the laws of the state of North Dakota shall govern the interpretation and enforcement of the terms of this Limited Warranty and all aspects of the relationship between Dakota Micro and the purchaser.

*This warranty gives you specific legal rights and you may also have other rights, which may vary from state to state.*

**XV. DISCLAIMER**

Dakota Micro Inc. products, specifications, pricing and programs are subject to change without prior notice. Dakota Micro Inc. reserves the right to make design changes at any time without obligation to retroactively install them on previously sold units.

**XVI. CONTACT US**

*Dakota Micro, Inc.*

8659 148th Ave. SE.

Cayuga, ND 58013

[www.agcoagcam.com](http://www.agcoagcam.com)