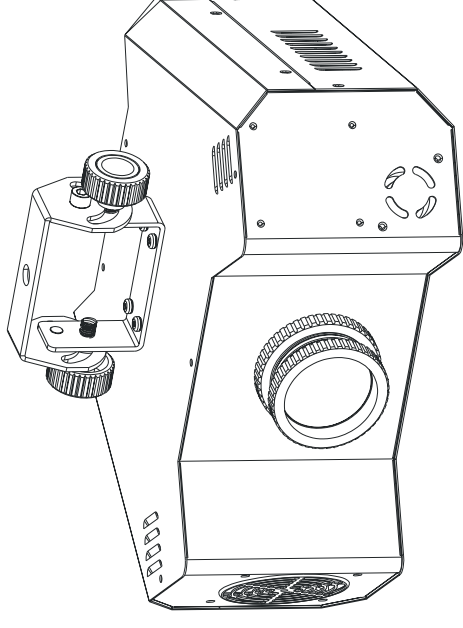




POWER FLOWER



LED-GF50

User Manual

Professional Entertainment Technology

8. Fixture Cleaning

The cleaning of internal and external optical lenses and/or mirrors must be carried out periodically to optimize light output. Cleaning frequency depends on the environment in which the fixture operates: damp, smoky or particularly dirty surrounding can cause greater accumulation of dirt on the unit's optics.

- Clean with soft cloth using normal glass cleaning fluid.
- Always dry the parts carefully.
- Clean the external optics at least every 20 days. Clean the internal optics at least every 30/60 days.

TABLE OF CONTENTS

- 1. Safety Instruction**
- 2. Technical Specification**
- 3. Installation**
- 4. How to Set the Unit**
- 5. How to Control the Unit**
- 5. DMX 512 Configuration**
- 6. DMX 512 Connection**
- 7. Trouble Shooting**
- 8. Fixture Cleaning**

5 pin XLR: Pin 1: GND, Pin 2: Negative signal (-), Pin 3: Positive signal (+)
Pin 4/5: Not used.

8. Troubleshooting

Following are a few common problems that may occur during operation. Here are some suggestions for easy troubleshooting:

A. The fixture does not work, no light

1. Check the connection of power and main fuse.
2. Measure the mains voltage on the main connector.

B. Not responding to DMX controller

1. DMX LED should be on. If not, check DMX connectors, cables to see if link properly.
2. If the DMX LED is on and no response to the channel, check the address settings and DMX polarity.
3. If you have intermittent DMX signal problems, check the pins on connectors or on PCB of the fixture or the previous one.
4. Try to use another DMX controller.
5. Check if the DMX cables run near or run alongside to high voltage cables that may cause damage or interference to DMX interface circuit.

C. Some fixtures don't respond to the easy controller

1. Check the LED for the response of the master/ slave mode signal.
2. Check if the unit is receiving DMX signal and cut it off.

D. No response to the sound

1. Make sure the fixture does not receive DMX signal.
2. Check microphone to see if it is good by tapping the microphone.

E. One of the channels is not working well

1. The stepper motor might be damaged or the cable connected to the PCB is broken.
2. The motor's drive IC on the PCB might be out of condition.

1. Safety Instruction



WARNING

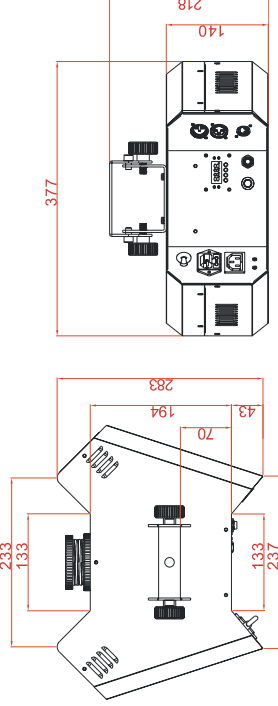
Please read the instruction carefully which including important information about the installation, operation and maintenance.

- Please keep this User Manual for future consultation. If you sell the unit to another user, be sure that they also receive this instruction booklet.
- Unpack and check carefully there is no transportation damage before using the unit.
- Before operating, ensure that the voltage and frequency of power supply match the power requirements of the unit.
- It's important to ground the yellow/green conductor to earth in order to avoid electric shock.
- The unit is for indoor use only and use only in a dry location.
- The unit must be installed in a location with adequate ventilation, at least 50cm from adjacent surfaces. Be sure that no ventilation slots are blocked.
- Disconnect mains power before fuse replacement or servicing.
- Replace fuse only with the same type.
- Make sure there are not flammable materials close to the unit while operating as it is fire hazard.
- Use safety cable when fixes this unit.
- Maximum ambient temperature is TA: 40 °C and don't operate it where the temperature is higher than this.
- Unit surface temperature may reach up to 60 °C. Don't touch the housing bare-hand during its operation.
- There are no user serviceable parts inside the fixture. Do not open the housing or attempt any repairs by yourself. In the unlikely event your fixture may require service, please contact the nearest authorized technical assistance center and always use the same type spare parts.
- Don't connect the device to any dimmer pack or power pack.
- Do not look directly at the LED light beam while the fixture is on.
- The housing must be replaced if they are visibly damaged.
- Do not touch any wire during operation as high voltage might be causing electric shock.

If using a 230Vac 50Hz power supply, do not connect in series more than 7 units, use another mains supply for the next 7 units. If using a 120Vac 60Hz power supply, do not connect in series more than 4 units, use another mains supply for next 4 units.

2. Technical Specification

- It can be operated by DMX512 control or can be used as an individual unit without controller.
- Please use a 3 pin XLR cable/plug when link in master/slave mode.



- **LED:** 50W white LED
- **Voltage:** AC 100~240V, 50Hz/60Hz
- **Fuse:** T 6.3 A
- **Power Consumption:** 89.2 W
- **Dimension:** 283 x 377 x 218 mm
- **Weight:** 5.2kgs

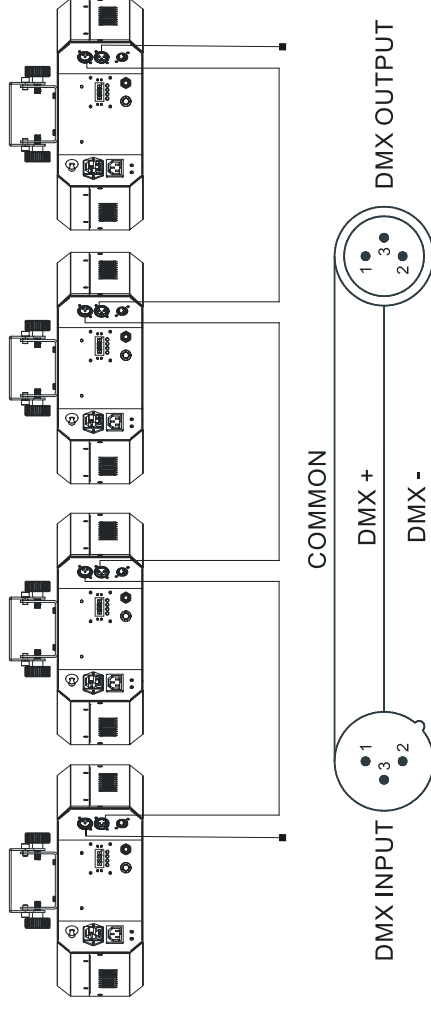
3. Installation

The unit should be mounted via its screw holes on the bracket. Always ensure that the unit is firmly fixed to avoid vibration and slipping while operating. Always ensure that the structure to which you are attaching the unit is secure and is able to support a weight of 10 times of the unit's weight. Also always use a safety cable that can hold 12 times of the weight of the unit when installing the fixture.

The equipment must be fixed by professionals. And it must be fixed at a place where is out of the touch of people and has no one pass by or under it.

7. DMX 512 Connection

The DMX 512 is widely used in intelligent lightings and with a maximum of 512 channels.



Termination reduces signal errors and avoids signal transmission problems and interference. It is always advisable to connect a DMX terminal.

(Resistance 120 ohm 1/4W) between pin2(DMX-) and pin3(DMX+) of the last fixture.

1. If you using a controller with 5 pins DMX output, you need to use a 5 to 3 pin adapter-cable.
2. At last unit, the DMX cable has to be terminated with a terminator. Solder a 120 ohm 1/4W resistor between pin 2(DMX-) and pin 3(DMX+) into a 3-pin XLR-plug and plug it in the DMX-output of the last unit.
3. Connect the unit together in a 'daisy chain' by XLR plug from the output of the unit to the input of the next unit. The cable can not be branched or split to a 'Y' cable. DMX 512 is a very high-speed signal. Inadequate or damaged cables, solder joints or corroded connectors can easily distort the signal and shut down the system.
4. The DMX output and input connectors are pass-through to maintain the DMX circuit, when power is connected to the unit.
5. Each lighting unit needs to have an address set to receive the data sent by the controller. The address number is between 0-512 (usually 0 & 1 are equal to 1).
6. The end of the DMX 512 system should be terminated to reduce signal errors.
7. 3 pin XLR connectors are more popular than 5 pin XLR.
 - 3 pin XLR: Pin 1: GND, Pin 2: Negative signal (-), Pin 3: Positive signal (+)

8. Power output

Connect to supply power for the next unit.

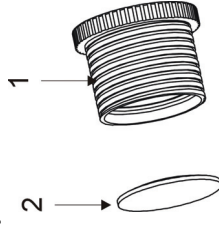
9. Safe ring

Keep the installation safe.

10. Microphone: Receive music for the sound active.

4.2 Replace the lens

You could replace the other lens if you want to, as following picture.



You should screw the lens roller to take it down as NO.1, and bring the lens out as No.2. Then you could replace the lens that you want to.

4.3 Main Function

To select any of the given functions, press the **MENU** button up to when the required one is showing on the display. Select the function by **ENTER** button and the display will blink. Use **DOWN** and **UP** button to change the mode. Once the required mode has been selected, press the **ENTER** button to setup or it will automatically return to the main functions without any change after idling 60 seconds. To go back to the functions without any change press the **MENU** button. The main functions are showing below:

Press the **MENU** button to show **CSPT** on the display. Press the **ENTER** button and all channels of the unit will return to their standard position.

5. How To Control The Unit

You can operate the unit in three ways:

1. Master/slave built-in preprogram function
2. Easy controller
3. Universal DMX controller

No need to turn the unit off when you change the DMX address, as new DMX address setting will be effect at once. Every time you turn the unit on, it will show **0F50** on the display and move all the motors to their 'home' position and you may hear some noises for about 20 seconds. After that the unit will be ready to receive DMX signal or run the built in programs.

5.1 Master/Slave Built In Preprogrammed Function

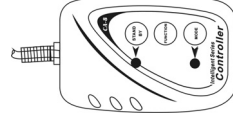
By linking the units in master/slave connection, the first unit will control the other units to give an automatic, sound activated, synchronized light show. This function is good when you want an instant show. Its DMX input jack will have nothing plugged into it, and its master LED will be constantly on and sound LED will flash to the music. The other units will have to set in slave mode **SLnd** and select **SL1** (Slave 1) or **SL2** (slave 2) mode, Their DMX cables plugged into the DMX input jacks (daisy chain) and the slave led lights will constantly on.

2-light show

In **SLnd** (slave mode), **SL1** means the unit works normally and **SL2** means 2-light show. In order to create a great light show, you can set **SL2** on the second unit to get contrast movement to each other, even if you have two units only.

5.2 Easy Controller (by CA-8/CA-9/CA-9RTX)

The easy remote control is used only in master/slave mode. By connecting to the 4-pin jack of the first unit, you will find that the remote controller on the first unit will control all the other units for Stand by, Function and Mode selection



d5IP Display inversion mode for the fixture fixing under ceiling.

TEST Self-Test

Press the **MENU** button to show **TEST** on the display. Press the **ENTER** button and the unit will run self-test by built-in program. To go back to the functions without any change press the **MENU** button again. Hold and press the **MENU** button about 2 seconds or wait for 60 seconds to exit the menu mode.

TEMP Temperature Test

Press the **MENU** button to show **TEMP** on the display. Press the **ENTER** button and the display will show the temperature of the unit. To go back to the functions without any change press the **MENU** button again. Hold and press the **MENU** button about 2 seconds or wait for 60 seconds to exit the menu mode.

Fhrs Fixture Hours

Press the **MENU** button to show **Fhrs** on the display. Press the **ENTER** button and the display will show the number of working hours of the unit. To go back to the functions without any change press the **MENU** button again. Hold and press the **MENU** button about 2 seconds or wait for 60 seconds to exit the menu mode.

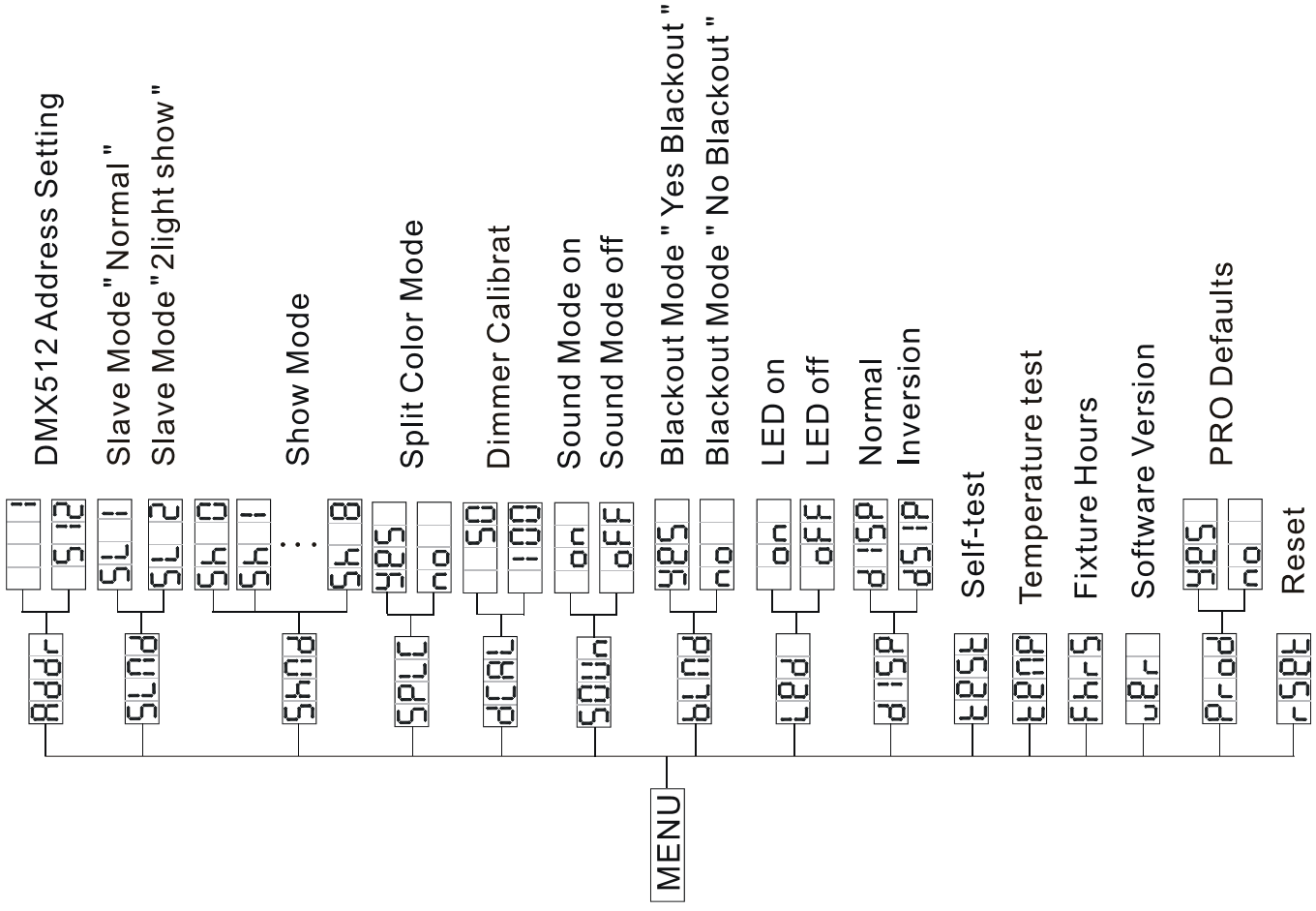
VER Software version

Press the **MENU** button to show **VER** on the display. Press the **ENTER** button and the display will show the version of software of the unit. To go back to the functions without any change press the **MENU** button again. Hold and press the **MENU** button about 2 seconds or wait for 60 seconds to exit the menu mode.

Prod PRO Defaults

Press the **MENU** button to show **Prod** on the display. Press the **ENTER** button and the display will blink. Use the **DOWN** and **UP** button to select the **YES** (run built-in program to set the fixture to PRO Defaults settings) or **no**. Press the **ENTER** button to setup. To go back to the functions without any change press the **MENU** button again. Hold and press the **MENU** button about 2 seconds or wait for 60 seconds to exit the menu mode.

rSPE Reset



Addr

DMX 512 Address Setting

Press the **MENU** button up to when the **Addr** is showing on the display. Pressing the **ENTER** button and the display will blink. Use **DOWN** and **UP** button to change the DMX512 address. Once the address has been selected, press the **ENTER** button to setup. To go back to the functions without any change press the **MENU** button again. Hold and press the **MENU** button about 2 seconds or wait for 60 seconds to exit the menu mode.

SLND

Slave Mode

Press the **MENU** button up to when the **SLND** is showing on the display. Pressing the **ENTER** button and the display will blink. Use **DOWN** and **UP** button to select the **SL1** (Slave 1) or **SL2** (slave 2) mode. Once the mode has been selected, press the **ENTER** button to setup. To go back to the functions without any change press the **MENU** button again. Hold and press the **MENU** button about 2 seconds or wait for 60 seconds to exit the menu mode..

SHND

Show Mode

Press the **MENU** button up to when the **SHND** is shown on the display. Pressing the **ENTER** button, Use the **DOWN** and **UP** buttons to select the **Sh0** (Random show) or **Sh1** (show 1) or **Sh2** (Show 2) or ... or **Sh8** (show 8). Once the mode has been selected, press the **ENTER** button to setup. To go back to the functions without any change press the **MENU** button again. Hold and press the **MENU** button about 2 seconds or wait for 60 seconds to exit the menu mode.

SPLC

Split Color Mode

Press the **MENU** button to show **SPLC** on the display. Press the **ENTER** button and the display will blink. Use the **DOWN** and **UP** button to select the **SPS** (Split color mode) or **no** (normal) mode. Once the mode has been selected, press the **ENTER** button to setup. To go back to the functions without any change press the **MENU** button again. Hold and press the **MENU** button about 2 seconds or wait for 60 seconds to exit the menu mode.

dCAL

Dimmer Calibrate

Press the **MENU** button to show **dCAL** on the display. Press the **ENTER** button and the display will blink. Use the **DOWN** and **UP** button to calibrate the dimmer for a maximum

output from **50** (limited to 50% of the really max. output) to **100** (maximum output is not limited). Once the mode has been selected, press the **ENTER** button to setup. To go back to the functions without any change press the **MENU** button again. Hold and press the **MENU** button about 2 seconds or wait for 60 seconds to exit the menu mode.

SOJN

Sound Mode

Press the **MENU** button to show **SOJN** on the display. Press the **ENTER** button and the display will blink. Use the **DOWN** and **UP** button to select the **on** (sound on) or **off** (sound off) mode. Once the mode has been selected, press the **ENTER** button to setup. To go back to the functions without any change press the **MENU** button again. Hold and press the **MENU** button about 2 seconds or wait for 60 seconds to exit the menu mode.

BLND

Blackout Mode

Press the **MENU** button to show **BLND** on the display. Press the **ENTER** button and the display will blink. Use the **DOWN** and **UP** button to select the **SPS** (yes blackout) or **no** (no blackout) mode. Once the mode has been selected, press the **ENTER** button to setup. To go back to the functions without any change press the **MENU** button again. Hold and press the **MENU** button about 2 seconds or wait for 60 seconds to exit the menu mode.

LED

Led Display

Press the **MENU** button to show **LED** on the display. Press the **ENTER** button and the display will blink. Use the **DOWN** and **UP** button to select the **on** (Led on) or **off** (Led off) mode. Once the mode has been selected, press the **ENTER** button to setup. To go back to the functions without any change press the **MENU** button again. Hold and press the **MENU** button about 2 seconds or wait for 60 seconds to exit the menu mode.

dISP

Display Inversion

It is good for you to install the unit on the floor or under ceiling. Press the **MENU** button to show **dISP** on the display. Press the **ENTER** button to change to the mode **dISP** (display normal). It will automatically store after 8 seconds. Or press the **ENTER** button again return to the mode **d5IP** (display inversion). To go back to the functions without any change press the **MENU** button again. Hold and press the **MENU** button about 2 seconds or wait for 60 seconds to exit the menu mode.

dISP Display normal mode for the fixture putting on the floor.