

TurboChef Technologies Inc.

Speaker Installation

Service kit CON-3003 includes:

- Replacement speaker
- Two connector wires
 - RWD-9654: Use to connect speaker to electrical harness on residential ovens (Figure 1).
 - HCT-4262: Use to connect speaker to electrical harness on conveyor ovens (Figure 2).

NOTE: i-Series oven models will not require either wire to be installed. For speaker installations on conveyor or residential ovens, use whichever connector wire is required and discard the other.



Figure 1: RWD-9654 Wire



Figure 2: HCT-4262 Wire

To replace the speaker on a Residential oven:

1. Ensure the oven is removed from any power source (i.e., the breaker is turned off).
2. Remove the oven from the wall, making sure it does not rest on the front frame.

⚠ CAUTION: Allowing the oven to rest on the front of the frame will damage it and may prevent reinstallation.

NOTE: For information regarding proper oven removal and reinstallation and accessing assemblies, see the service manual.

3. Access the failed speaker (Figures 3 and 4).
4. Replace the speaker using the RWD-9654 wire to attach it to the harness.
5. Ensure functionality and reinstall the oven.

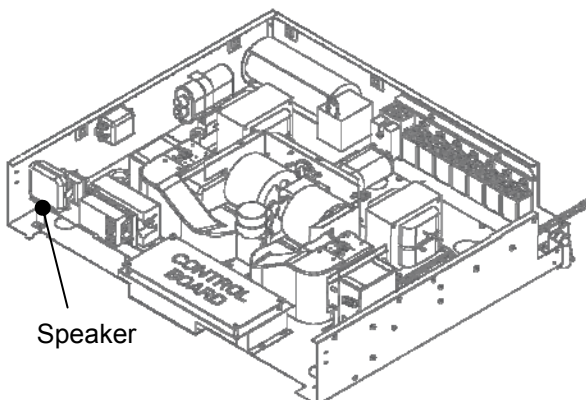


Figure 3: Residential Gen 1 Speaker Location

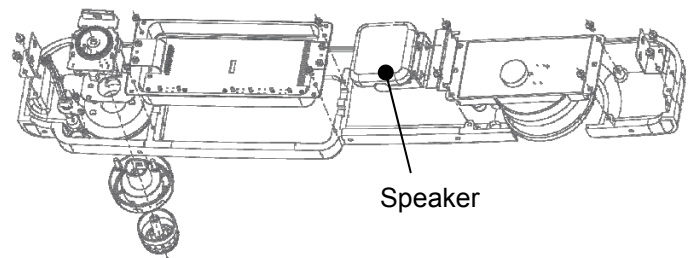


Figure 4: Residential Gen 2 Speaker Location

To replace the speaker on an i-Series or NGO/Söta oven:

1. Ensure the oven is removed from any power source.
2. Open/remove the top cover.

NOTE: For information regarding opening/removing the top cover, see the service manual.

3. Access the failed speaker (Figures 5, 6, and 7).
4. Replace the speaker.
5. Ensure functionality and close/replace the top cover.

To replace the speaker on a conveyor oven:

1. Ensure the oven is removed from any power source.
2. Access the right end bell.

NOTE: For information regarding accessing the right end bell, see the service manual.

3. Access the failed speaker (Figures 8 and 9).
4. Replace the speaker using the HCT-4262 wire to attach it to the harness.
5. Ensure functionality and close the right end bell.

—End of Procedure—

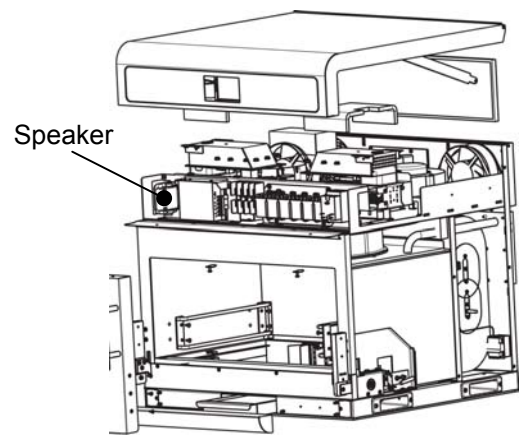


Figure 5: i5 Speaker Location

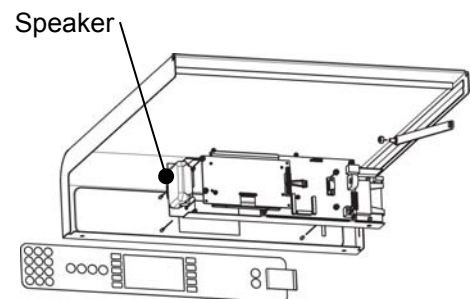


Figure 6: i3 Speaker Location

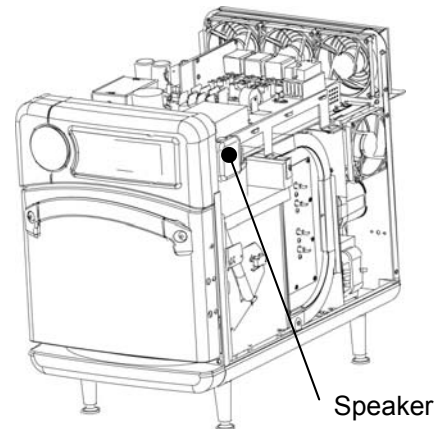


Figure 7: NGO/Söta Speaker Location

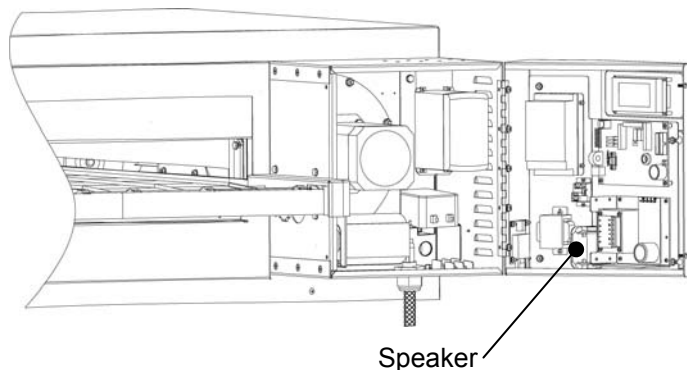


Figure 8: HhC 3240 Speaker Location

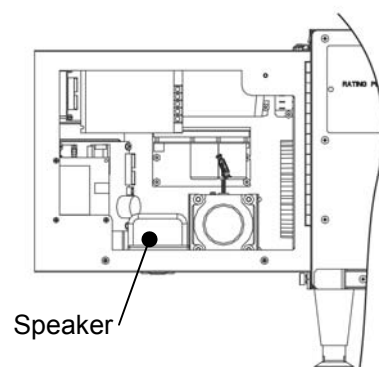


Figure 9: HhC 2020 Speaker Location