

FILE NO.

## SERVICE MANUAL

# EM-S2588W EM-S2588B

## Microwave Oven

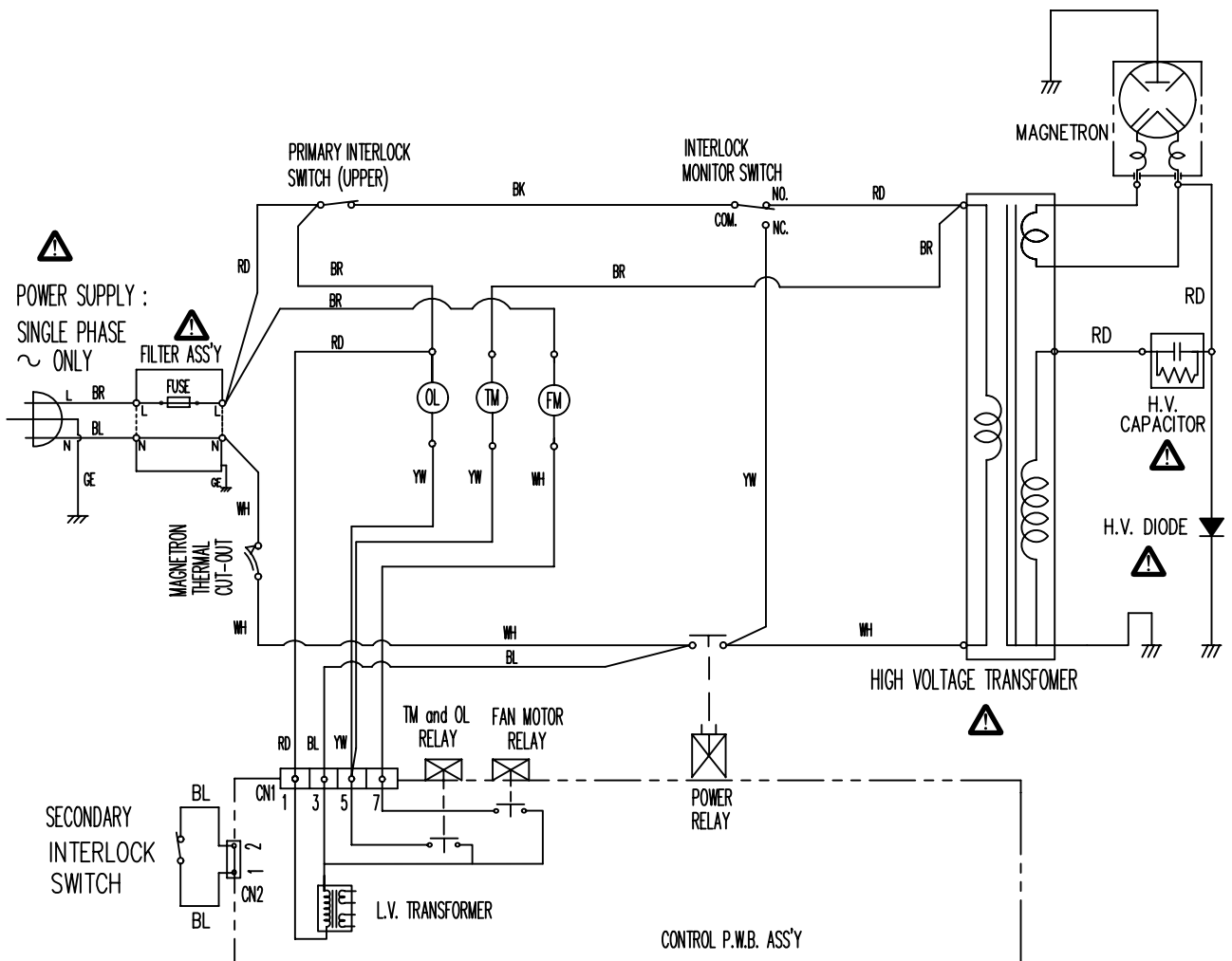


**EM-S2588W**

Specifications subject to change without notice

Product Code	Model	Suffix	V/Hz/Plug	Color	Function	Cavity Volume	Control Panel	Destination
1 437 648 64	EM-S2588W	FC2	120/60/U3	White	Touch	0.7Cft. Solo	English	USA
1 437 648 65	EM-S2588B	FC2	120/60/U3	Black	Touch	0.7Cft. Solo	English	USA

# SCHEMATIC DIAGRAM



[ CONDITION ]

DOOR : CLOSED

COOK : OFF

NOTE :

⊙ : OVEN LAMP

⊙ : FAN MOTOR

⊙ : TRAY MOTOR

BK : BLACK

RD : RED

WH : WHITE

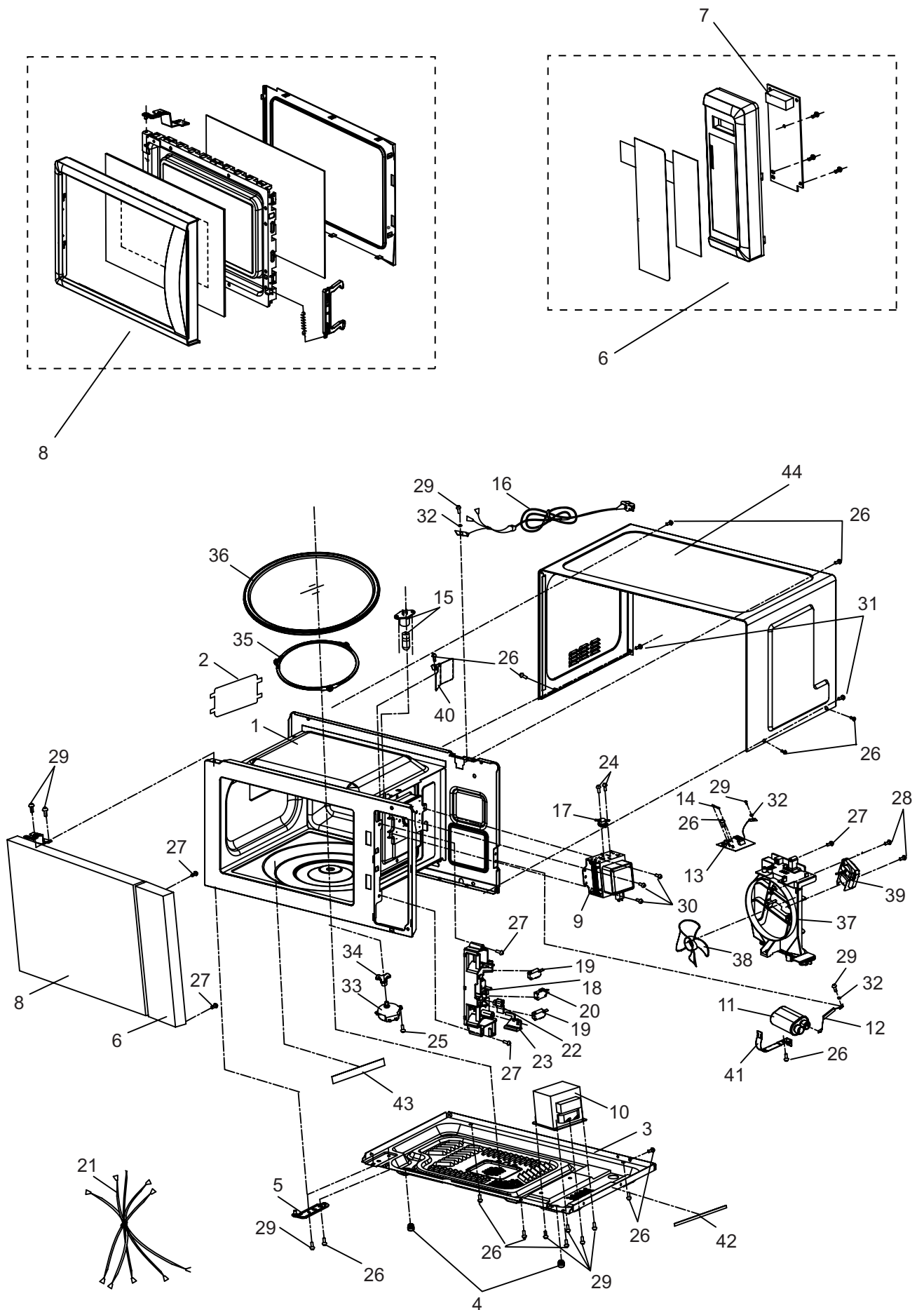
YW : YELLOW

BL : BLUE

BR : BROWN

GE : GREEN/YELLOW

EXPLODED VIEW



# PARTS LIST

REF.No.	PARTS No.	DESCRIPTION	Q'TY	REMARK
1	MM51500100231	ASS'Y Cavity	1	
2	MM56400300751	Cover Wave Guide	1	
3	MM51501400157	Base Plate	1	
4	MM51302002950	Leg	2	
5	MM51502501223	Ass'y BRKT Hing U 1	1	
6	MM51300202093	Ass'y C/Panel	1	EM-S2588W
	MM51300202114	Ass'y C/Panel	1	EM-S2588B
7	MM56400101412	PCB	1	
8	MM51300101400	Ass'y door	1	EM-S2588W
	MM51300101413	Ass'y door	1	EM-S2588B
9	MM51200100068	Magnetron	1	
10	⚠ MM51200200340	H.V. Transformer	1	
11	⚠ MM51200701307	H.V. Capacitor	1	
12	⚠ MM51200900599	H.V. Diode	1	
13	MM56400300751	Filter Noise	1	
14	⚠ MM56201200605	Fuse	1	
15	MM58600500096	Lamp + Socket lamp	1	
16	⚠ MM51201000486	Power cord Ass'y	1	
17	MM51201300630	Thermostat 160/95	1	
18	MM53600604180	Board latch	1	
19	MM51201600002	Microswitch Interlock	2	
20	MM51201600604	Microswitch Monitor	1	
21	MM51202800638	Harness main	1	
22	MM51301102949	Lever Switch T	1	
23	MM51301102958	Lever Switch U	1	
24	MM57012800021	Screw CT3x8BBHC	2	
25	MM57012800001	Screw 4x8	1	
26	MM57012800003	Screw 4x10	14	
27	MM57012800027	Screw 4x12	5	
28	MM57012800016	Screw 4x20	2	
30	MM57012800014	Screw 4x10	3	
31	MM57012800032	Screw 4x10	2	
32	MM57012500002	Spring Washer	3	
33	MM51200300976	Motor Tray	1	
34	MM52200100002	Coupler	1	
35	MM52200200011	Ring Rotating Ass'y	1	
36	MM52100500496	Tray	1	
37	MM51300803274	Guide fan	1	
38	MM51300902951	Fan	1	
39	MM51200600162	Motor fan	1	
40	MM51503201610	Damper	1	
41	MM51501501923	Holder H.V.C	1	
42	MM52200700003	Sponge	1	
43	MM52200700439	U-plate sponge	1	
44	MM51502600448	Case out	1	EM-S2588W
	MM51502600459	Case out	1	EM-S2588B



SANYO Electric Co., Ltd.  
Osaka, Japan