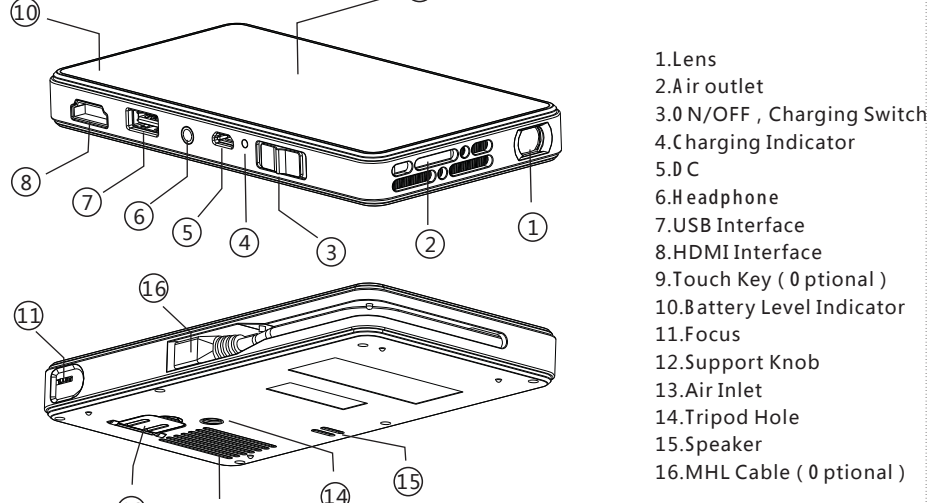




## K6 User Manual

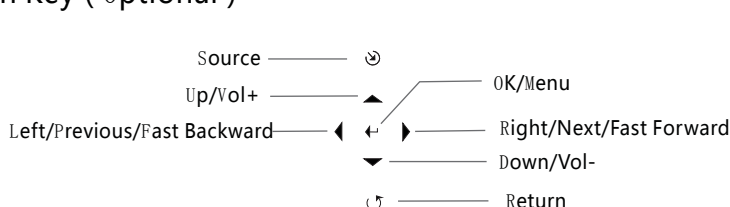
Color and appearance may differ with the icons in this manual ,Product specifications may vary due to the improved performance without notice

### Summary



- 1.Lens
- 2.Air outlet
- 3.N/OFF , Charging Switch
- 4.Charging Indicator
- 5.DC
- 6.Headphone
- 7.USB Interface
- 8.HDMI Interface
- 9.Touch Key ( Optional )
- 10.Battery Level Indicator
- 11.Focus
- 12.Support Knob
- 13.Air Inlet
- 14.Tripod Hole
- 15.Speaker
- 16.MHL Cable ( Optional )

### Touch Key ( Optional )

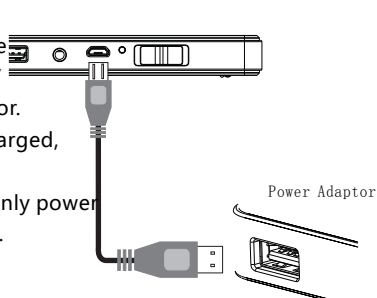


### Charging

When Charging, insert one end of the USB cable to the USB of the projector, the other end to PC/ Laptop/mobile power adaptor or original adaptor.

\*Charging after 5 hours, the projector is fully charged, the LED light close.

\*Please turn off the projector before charging, only power off the projector will charging the inside battery.



### Charging for mobile devices

The internal battery can not only be used for projection ,but also can charging for mobile devices. Push the switch forward, switch to charging mode, can charging mobile devices by following connections:

1.Charging via USB Plug one end of the USB cable to the projector USB, the other end to the mobile devices.

2.Charging via MHL Remove the MHL cable, plug to the mobile devices.

Battery Indicator

Green Normal

Red Low

### Turn on/off the projector

Push the switch backward for 3 seconds to turn on/off the projector.

### Mobile Devices Connect to Projector

#### HDMI Connection

Use the HDMI cable to connect the HDMI output device and projector, it will select the source automatically after a few seconds, or you can also select the source manually.

#### MHL Connection

Use the built-in MHL cable to connect to mobile phone. The mobile phone will detect the signal automatically, and project image after few seconds.

\*Do not pull the MHL cable hardly.

\*Can use the MHL extension cable to extend the built-in MHL cable.

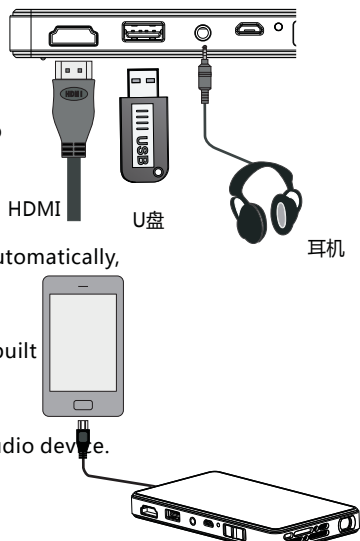
#### Headphone Interface

Sound output. Connect to headphone or other audio device.

#### USB Interface

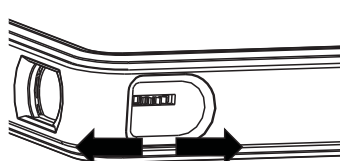
Can plug the U-disk to play media files(optional)

Can charging for mobile devices via USB cable.



### Focus Adjustmng

Can Stir the focus to adjust the focal length, get clear image.



### Media Play ( Optional )

Press the [←] longly or shortly , appear corresponding menu interface, press [▲] [▼] to select different adjustment item, appear corresponding icon and options, press [←] [→] to enter menu adjustments, press [↵] to confirm, now enter item adjustment, press [←] [→] to achieve adjustment requirements, press [⏏] to exit, or wait few seconds to exit automatically.

Select "Source" Input

Press [⏏] , switch to signal input channel, there is corresponding icon and character prompted after switch.

Multimedia Shortcuts Menu : Press [←] when playing, appear below menus:

	Pause/Play		Fast Backward		Fast Forward
	Previous		Next		Stop
	Repeat		Chapter Set Play		Play List
	File info		Slow Speed		Frame-byFrame Playback
	Election Broadcast		Zoom in		Zoom out
	Aspect Ratio		Image Movement		Left/Right Channel Selection

**Note: You can choose channel,subtitles,chapters to play in the file info option.**

The projector can play these media files(video/vc/music/input), supported format includes:

Video File Format:(supported video play with subtitles. support file suffix)srt,idx,ssa,ass,smi,txt, ttx,sub. )

File Type	Suffix Name	Internal Code	Max Resolution	Max Baud Rate
MPEG1	DAT/MPG/MPEG	\	1920×1080/30P	20Mbps
MPEG2	MPEG	\	1920×1080/30P	20Mbps
MPEG4	AVI/MP4	DIVX.XVID	1920×1080/30P	20Mbps
RM/RMVB	RM/RMVB	RV8 , RV9 , RV10	1280×720/30P	10Mbps
H.264	MKV/MOV	H.264	1920×1080/30P	20Mbps
MJPEG	AVI	H.264	640×480/30P	10Mbps

Music File Format:

File Type	Sampling Rate	Baud Rate	Sound Channel
WMA	8K-48K	32K-320Kbps	Mono.Stereo
MP3	32K-48K	32K-320Kbps	Mono.Stereo
M4A ( AAC )	8K-48K	32K-320Kbps	Mono.Stereo

Photo File Format:

File Type	Max Resolution
JPEG	15360×8640
BMP	9600×6400
PNG	9600×6400

Note: 1 SupportDIVX. XVID. H264 encoded file, do not support: MSVC/CRAM. MP42 GMC. IV32. RLE. cvid. RV20.

2 Support AC3. MP3. AAC. Cook encoded file, do not support: MSVC/ATRAC3. Dolby HD.

3 Subtitle name and video name must be same, and in the same folder. No subtitle file name format: XX.XX.suffix, XX.XX.suffix , etc..

### Technical Specifications

Product Name	LED Mini Projector
Native Resolution	854×480
Display Technology	DLP
Lamp	R,G,B LED
Projection Size	37.8" @1m
HDMI	Standard HDMI Input(Support Android Sticker)
MHL	Built-in MHL cable
Media Player	Built-in 1080P media player
Support Storage Device File System	USB NTFS,FAT16,FAT32
Headphone Output	3.5mm stereo headphone
Speaker	8Ω/1W
Power Supply	5V 2A
Power Output	5V 500mA
Battery	4000mAh Li-ion Battery
Projection Mode	Max 120 minutes
Charging Mode	150% ( Samsung Galaxy S2 )
Power Consumption	Projection:6W Charging:3W
Working Temperature	0°C-35°C
Working Humidity	0-85%
Dimension(L×W×H)	145×78×16mm
Weight	190g

• This product and user manual for future improvement or supplemented without notice.