

INFRARED TRAIN DETECTOR WITH TIMER (ITD-TR)

The Infrared Train Detector with Timer (ITD-TR) uses an Infrared (IR) sensor to detect a train and then turn on a relay for an adjustable period of time.

By connecting track power through the relay on the ITD-TR you can stop a train for an adjustable period of time once it has been detected. Some applications could be to automatically stop a train at a station for a set period of time or to extend the time a train spends hidden in a tunnel to give the impression of distance. Applications do not have to be limited to just controlling trains. The ITD-TR could be used to activate a sound module or some lights embedded in the scenery as a train passes by.

The ITD-TR is not designed to stop trains operated by DCC.

What you should have

1 x Sidetracked Electronics Infrared Train Detector with Timer (ITD-TR).

1 x 3mm red LED.

1 x User manual.

About this manual

Text written in *ITALICS* in this manual represents text as it is written on the ITD-TR.

Operation

The operation of the ITD-TR is very simple. When a train is detected the relay on the ITD-TR is activated for a period of time determined by the timer control. If an indicator LED is connected then it will be illuminated while the relay is active. Once the timer has elapsed the relay and LED will be turned off and cannot be reactivated until the IR sensor has been clear for two seconds.

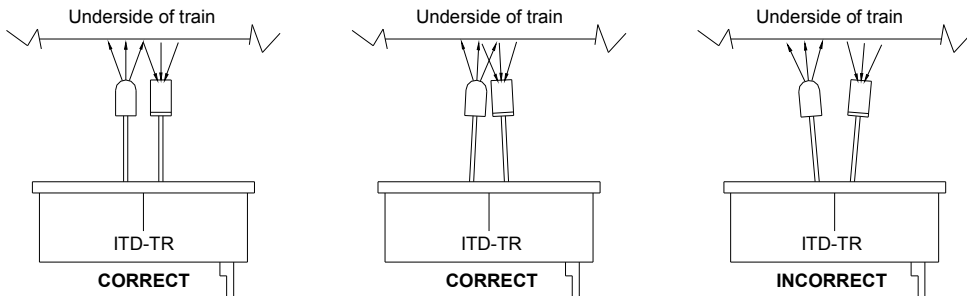
If you need to turn the relay off before the timer has elapsed you can connect a push button switch to the ITD-TR. Whenever the button is pushed while the timer is active, the timer will be reset and the relay and LED will be switched off. The timer cannot be reactivated until the button has been released and the IR sensor has been clear for two seconds.

If the push button is pressed when a train is first detected then the timer will not be activated at all. The timer can only be reactivated once the button has been released and the IR sensor has been clear for two seconds.

The reason for the two second delay is that as a train passes over the IR sensor it is possible for the ITD-TR to momentarily stop detecting the train. This could be because of an irregular surface under the train causing the IR beam not to reflect properly or the gaps between the carriages where there maybe no reflective surface at all. By having the delay it compensates for the time the train may go undetected and ensures that the ITD-TR functions correctly.

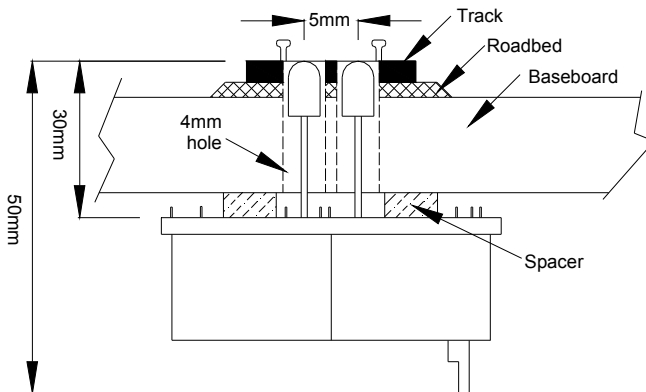
Installing the ITD-TR

There is two parts to each infrared (IR) sensor on the ITD-TR, a transmitter and a receiver. When mounting the ITD-TR make sure the two components of the IR sensor are pointing directly up or slightly bent in towards each other. The train acts like a reflector when it passes over the IR sensor so if they are pointing away from each other the train may go undetected.



It is recommended that the ITD-TR is mounted under your layout and the IR sensor pushed up between the sleepers in the centre of your track. Drill two 4.0mm (5/32 inch) holes with 5mm between their centres or make a 4.0mm x 9.0mm slot, being careful not to damage the track. Screw the IR sensor in place, adding a spacer if necessary so that the top of the IR sensor sits level with the top of your ballast or sleepers.

IMPORTANT: Make sure nothing covers the top of the IR sensor and that the rubber tubing that surrounds one of the sensors stays intact once the ITD-TR has been installed. Do not apply any heat to the rubber tubing as it may distort and affect the operation of the sensor.

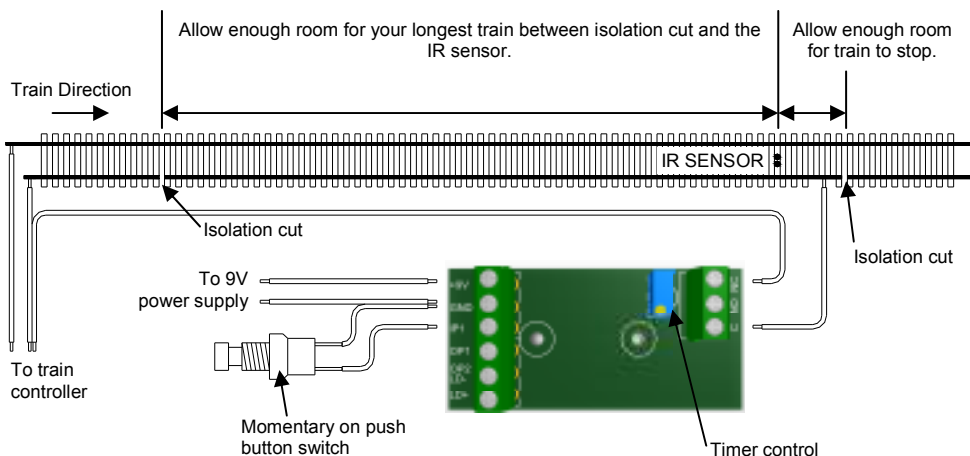


Isolating Tracks

In order for the ITD-TR to stop a train without disrupting train operation on other parts of your layout you will have to isolate a section of track for the train to stop in. Once you have determined the location of the ITD-TR you will have to cut one rail of the track in two locations.

The first cut goes in the rail approaching the ITD-TR and must be in a position that allows sufficient room between the cut and the IR sensor to fit your longest train. This ensures that trains will always stop regardless of whether the locomotive is pulling or pushing the train.

Before making the second cut it is important to note that a train may not stop immediately the IR sensor detects it. Depending on the speed that the train is travelling when power is cut from the track determines how far the front of the train will run past the IR sensor. With this in mind make the second cut just past the IR sensor allowing enough room for the train to stop.



Wiring Track Power

From your train controller wire from one terminal directly to the rail which has not been cut. The second terminal on the controller goes to two places. The first wire goes directly to the cut rail outside the isolated section of track. The second wire goes to the isolated section of track via the *NC* (normally closed) and *C* (common) terminals on the ITD-TR.

Wiring a Switch

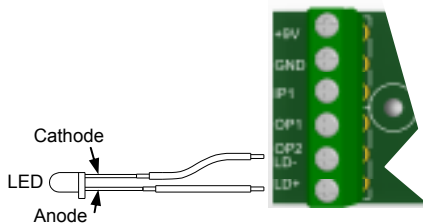
Wiring in a momentary on push button switch allows you to turn the relay off before the timer has elapsed. The two pins on the switch need to be wired to the *GND* and *IPI* terminals on the ITD-TR.

Wiring Power to the ITD-TR

You require a 9V DC power supply capable of supplying a maximum of 50mA for each ITD-TR unit you have connected to it. Ensure that you connect the 9V (+ positive) wire from your power supply to the +9V terminal on your ITD-TR and the ground (- negative) wire from your power supply to the *GND* terminal.

Wiring an Indicator LED

LEDs have to be connected in a certain way in order for them to work. They are polarised, meaning they have a positive (anode) and a negative (cathode) pin. The cathode pin is easily identified as it is either the shorter of the two leads and/or its marked by a flat spot on the body of the LED. A LED can be mounted remotely and then wired to the ITD-TR to



indicate when the relay is active. To connect an indicator LED, wire the cathode of the LED to the *OP2/LD-* terminal and the anode to the *LD+* terminal. No resistor is required. Whenever the relay on the ITD-TR is activated the LED will illuminate as well. A 3mm red LED is provided.

Interfacing the ITD-TR to other Equipment

You can interface the ITD-TR to other equipment either via the relay or output terminals *OP1* and *OP2/LD-*. The relay has three terminals, Common (*C*), Normally Open (*NO*) and Normally Closed (*NC*). When the timer is off then the Common (*C*) is connected to the Normally Closed (*NC*) terminal. When the timer is active the Common (*C*) is connected to the Normally Open (*NO*) terminal. Output terminals *OP1* and *OP2/LD-* are open collector outputs. Both outputs will be active (pulled low) while the timer is active.

Adjusting Timer Delay

The ITD-TR has a timer which controls the length of time the relay is activated for once a train has been detected. The timer can be adjusted for a delay from 1 second to just over 5 minutes. By winding the timer control in a clockwise direction you increase the time delay and by winding it in an anti-clockwise direction you decrease it.

Controlling Train Speed

The ITD-TR does not control the speed of the train, this is done by an external DC train speed controller connected to the relay contacts on the ITR-TR. The ITD-TR simply turns the power to the track on and off.

The ITD-TR is not designed to stop trains operated by DCC.

Specifications

Dimensions:	65mm (width) x 32mm (depth) x 50mm (height)
Supply Voltage:	9V DC
Supply Current:	50mA
Maximum Relay (Track) Voltage:	30V
Maximum Relay (Track) Current:	2A

Sidetracked Electronics
PO Box 7085, Safety Bay Western Australia, 6169
Phone: +61 8 9528 5344
Email: enquiries@sidetracked-e.com
Website: www.sidetracked-e.com
© Copyright