



# GRANDIO

G R E E N H O U S E S

2015 GRANDIO ASCENT 8x12, 8x16, 8x20, 8x24 KIT MANUAL  
INCLUDES INSTRUCTIONS FOR BACK DOOR TRANSFORMATION



Grandio Ascent 8x24 Shown In Image

## GREENHOUSE USER MANUAL

© 2013 Grandio Greenhouses, Backyard Living Source Inc. All rights reserved  
2015 Extendable Models

**STOP**

This manual is for  
8x12, 8x16, 8x20 & 8x24.

If building an 8x8 with  
no extensions refer to  
that manual.



Dear Valued Customer,

We would like to congratulate you on your new Grandio Greenhouse purchase. We are confident that you have made the right decision in choosing Grandio. Our greenhouses are made with high quality aluminium and polycarbonate and will last for many garden seasons to come.

Please take the time to carefully read this instruction manual for an easier and more enjoyable assembly experience.

Cheers!

Grandio Greenhouses

Save this owner's manual for future reference and if you need our help.

**CONTACT OUR CUSTOMER SERVICE**

**DEPARTMENT at:  
1-866-448-8231**

Hours: 8:30a.m.-5:00p.m. Monday through Friday (Mountain Standard Time)

**Backyard Living Source  
9543 W. Emerald St., Suite 101  
Boise, ID 83704**

**[www.grandiogreenhouses.com](http://www.grandiogreenhouses.com)**

**IMPORTANT! PLEASE READ BEFORE BEGINNING ASSEMBLY**

**Before you begin, take time to complete this check list.**

- Take inventory of all parts using the parts list at the back of this manual on pages 66-75. The base kit parts list is at the front on page 12 and 13. The back door transformation kit parts list is on page 76.
- Be cautious where you place the polycarbonate panels as they will burn grass or plants if left on top of them in direct sunlight. Note that clear film side of panels should always face the sun and white film side faces inside greenhouse. Panels may scratch easily so be careful what you clean them with.
- Plan out when and where you are going to place the greenhouse, we recommend that you place it in an area that will receive direct sunlight and will be protected from the wind as much as possible
- It will take at least (2) people to put the greenhouse together.
- Before your build, make sure you are allowed to build it! Consult all building codes, as well as City or Municipality ordinances and HOA's, as you may need a permit or documentation before you build.
- Contact your insurance company to make sure your Grandio Greenhouse will be covered on your policy.
- Call your local utilities companies before digging.
- Do not attempt to begin construction on a windy day.
- Your greenhouse should be built on a flat level surface allowing for drainage.
- Read this entire manual to get familiar with all pieces and parts prior to beginning assembly. Follow the steps outlined in the order presented!



## IMPORTANT! SAFETY INSTRUCTIONS



### FAILURE TO FOLLOW THESE WARNINGS MAY RESULT IN SERIOUS INJURY OR PROPERTY DAMAGE AND WILL VOID WARRANTY.

To ensure safety, do not attempt to assemble this product without following the instructions carefully. Check entire box and inside all packing material for parts and/or additional instruction materials. **Before beginning assembly, read the instructions and identify all parts using the hardware identifier and parts list on pages 67-76. Complete assembly and proper usage are essential to reduce the risk of accident or injury when using your Grandio Greenhouse.**

**CAUTION: Do not leave polycarbonate panels laying on grass or leave in the sun or extreme heat, keep in a cool dry place until they are to be installed!!** (May cause burning to plants or grass if left directly on top of them, also may damage panels due to the protective film adhering to panels.) Panels may scratch easily. **Do Not** use solvent cleaners.

- Each of the polycarbonate panels have a clear film side that should always face the sun, and a white film side which faces inside. The clear side has a UV coating and we recommend marking a small "x" on a corner of each panel to determine which side has the UV Coating as you cannot visually determine with your eye in the case of future disassembly.
- Due to shipping, the grooves of some of the aluminum profiles may be too small to insert into the polycarbonate sheet, you may carefully use a screwdriver to pry the framework open so the polycarbonate sheet can be inserted smoothly.
- Do not use or store hot objects such as grills, blow torches, welding equipment, etc. in or near your greenhouse.
- Do not allow children or pets to play in greenhouse or in the set up area until assembly is complete.
- If using a ladder during assembly, use extreme caution.
- A clean level surface is essential to maintaining the solid integrity of the structure, Install the base correctly as described in manual. Please anchor the greenhouse down to a firm and level base. If not properly installed warranty may be void.

#### NEEDED FOR ASSEMBLY

- |                            |                           |                                |
|----------------------------|---------------------------|--------------------------------|
| • <b>Tape Measure</b>      | • <b>2 Step Ladders</b>   | • <b>Safety Glasses</b>        |
| • <b>Level</b>             | • <b>Work Gloves</b>      | • <b>Drill</b>                 |
| • <b>Carpenter Square</b>  | • <b>Permanent Marker</b> | • <b>Silicone Caulk</b>        |
| • <b>At Least 2 Adults</b> | • <b>Masking Tape</b>     | • <b>Folding Utility Table</b> |



When you see this icon pay special attention to the helpful tips we have provided that will make installation more efficient.



# GRANDIO<sup>®</sup>

G R E E N H O U S E S

## ASSEMBLY INSTRUCTION STEPS

### PREPARE FOR ASSEMBLY

### STEP ONE: BASE ASSEMBLY

### STEP TWO: FRONT ASSEMBLY

### STEP THREE: BACK ASSEMBLY

### STEP FOUR: MIDDLE ASSEMBLY

### STEP FIVE: EXTENSION ASSEMBLY

### STEP SIX: INTERIOR SUPPORT ASSEMBLY

### STEP SEVEN: DOOR ASSEMBLY

Introduction.....	1
Safety Instructions.....	2
Prepare For Assembly.....	4
Box Configurations .....	5
Diagrams of Assembled Grandio Ascent Sizes 8x8, 8x12, 8x16, 8x20, 8x24.....	6-10
Base Kit Assembly Information.....	11
Base Kit Parts Lists.....	12-13
8x12 Base Kit.....	14
8x16 Base Kit.....	15
8x20 Base Kit.....	16
8x24 Base Kit.....	17
Base Kit Assembly and Installation.....	18-20
Front Assembly.....	21-26
Back Assembly.....	27-31
Middle Assembly.....	32-37
Extension Assembly.....	38-44
8x20 and 8x24 Extension Assembly.....	45-49
Extension Assembly Continued.....	50-58
Interior Roof Supports.....	59
Door Assembly.....	60-65
GRA-ASC-8A Parts List.....	66-68
GRA-ASC-8P Parts List.....	69
GRA-ASC-4X Parts List.....	70-72
GRA-ASC-8XA Parts List.....	73-74
GRA-ASC-8XP Parts List.....	75
GRA-ASC-BD Parts List.....	76
Warranty.....	77

# PREPARE FOR GREENHOUSE ASSEMBLY

## ⚠ IMPORTANT: BASE KIT ASSEMBLY & GREENHOUSE PLACEMENT ⚠

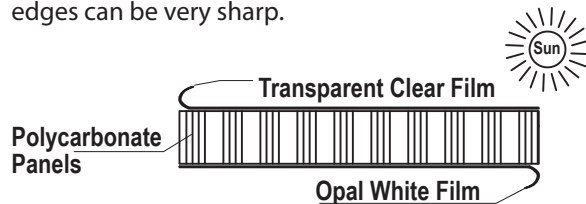
Before assembling your new greenhouse, a proper foundation must be prepared. A number of anchoring options are acceptable, based on wind and ground conditions in your area.

Pre-read pages 11-20 for base kit assembly information.

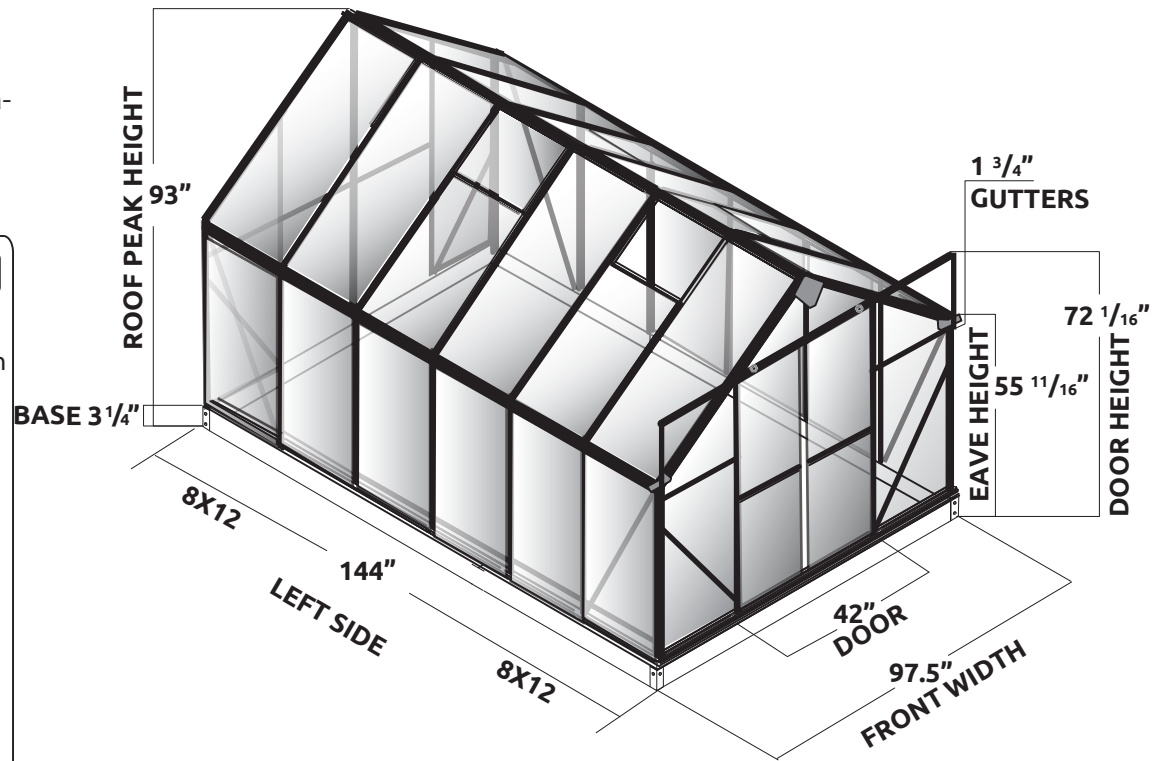
Go to [www.grandiogreenhouses.com](http://www.grandiogreenhouses.com) for foundation ideas and tour our online learning center for tips, tricks and videos for putting your greenhouse together.

## ⚠ IMPORTANT: POLYCARBONATE PANELS ⚠

The UV-Protected side is covered with clear film and must face toward the sun. The side covered in white film will always face the interior of the greenhouse. We suggest you peel all film off completely prior to assembly and use a permanent marker to place a small "X" on the lower right corner of each panel on the clear side that faces the sun, each panel has a sticker labeling the panel number and this side always faces the sun or outward as well. **DO NOT REMOVE LABELS UNTIL YOU INSTALL PANELS.** The "X" is suggested in case you dis-assemble your greenhouse in the future so you may identify which side has the UV coating. Always use gloves when handling the polycarbonate panels as the edges can be very sharp.



## 8X12 GRANDIO ASCENT BARN STYLE GREENHOUSE DIMENSIONS

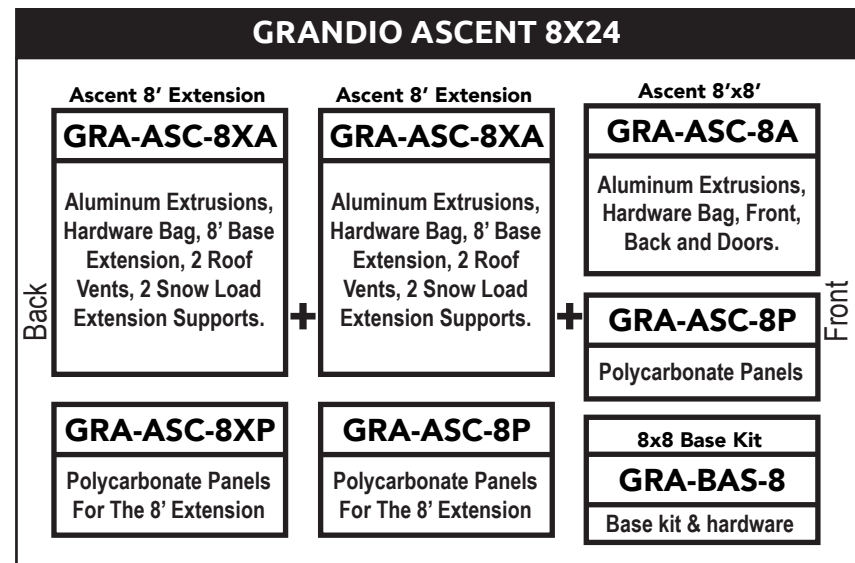
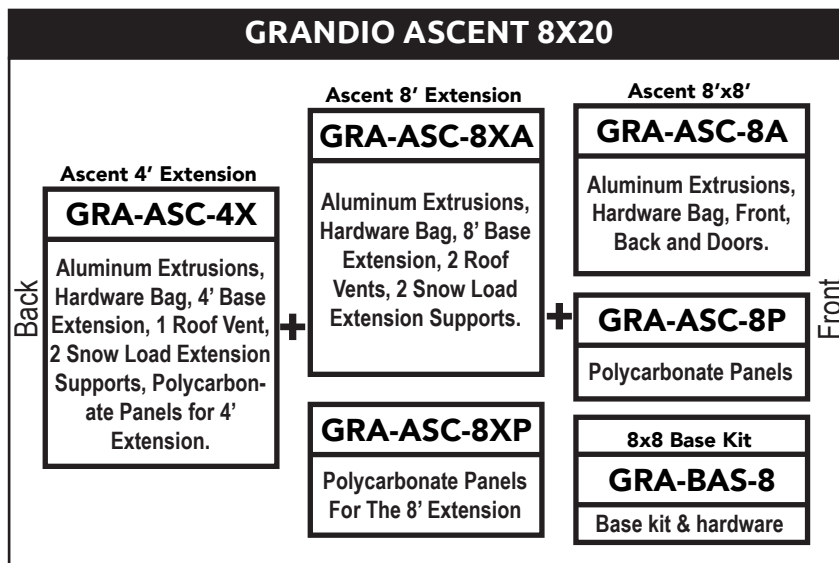
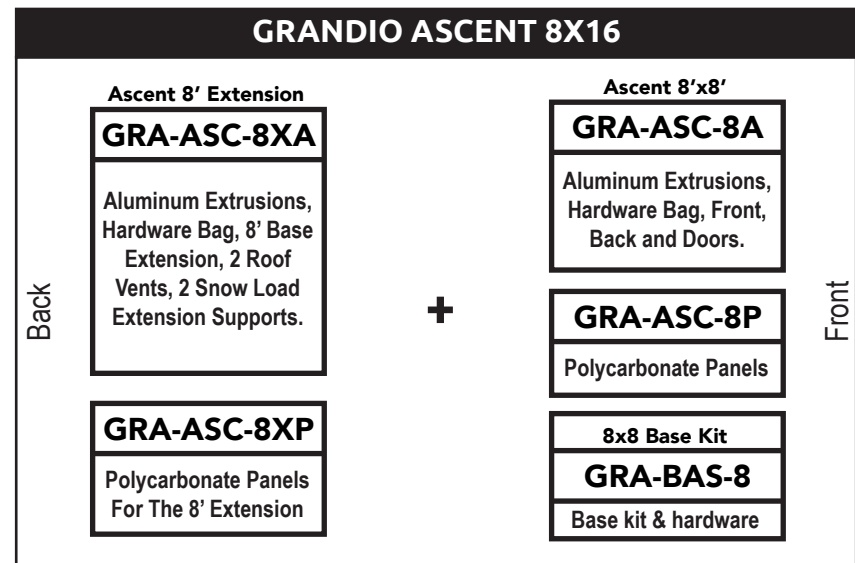
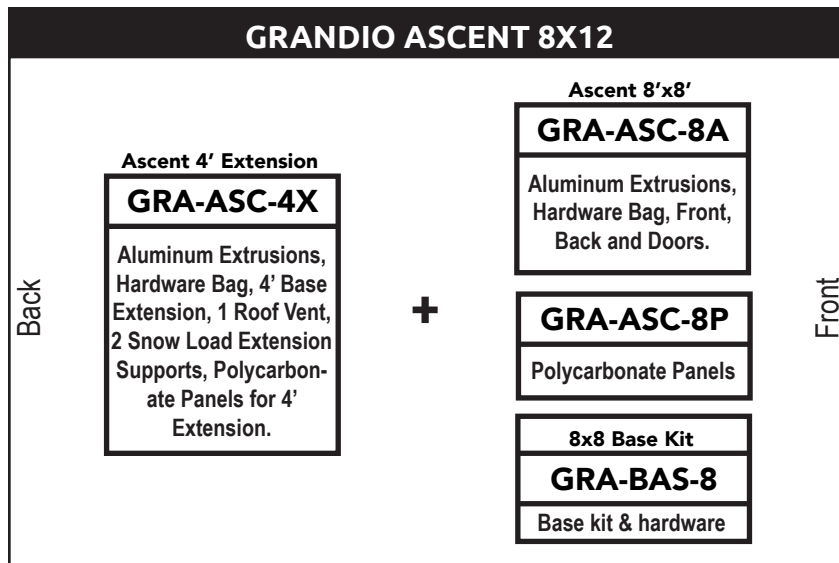


**\*SEE BASE KIT ASSEMBLY SECTION FOR ALL GREENHOUSE BASE DIMENSIONS ON PAGES 14-17.**

# EXTENSION KIT BOX CONFIGURATIONS

We recommend that you lay all of your boxes out as shown below for an organized assembly. Locate your greenhouse size and situate near your assembly site. We suggest you lay the parts out on a tarp so you do not lose items in the grass or dirt near your building site.

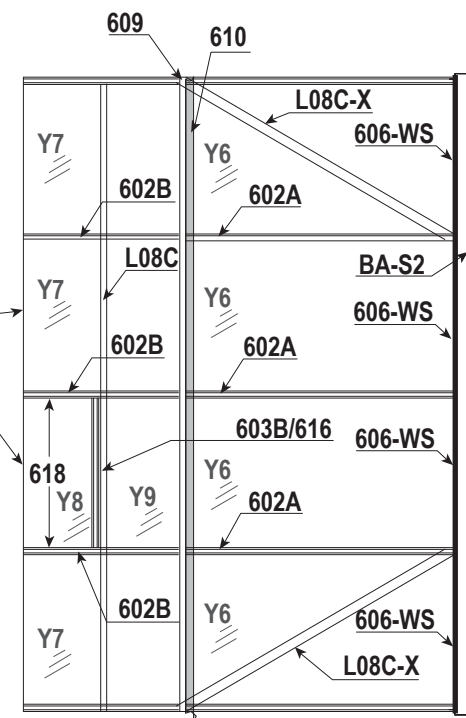
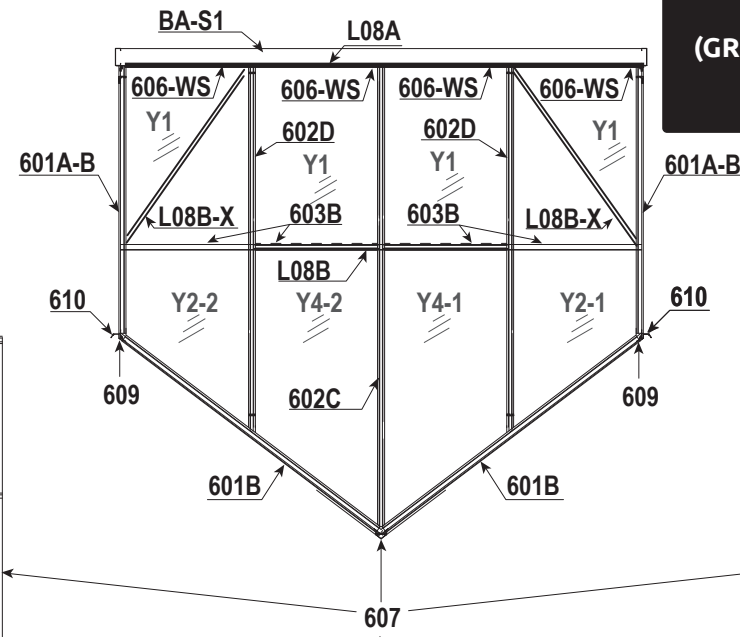
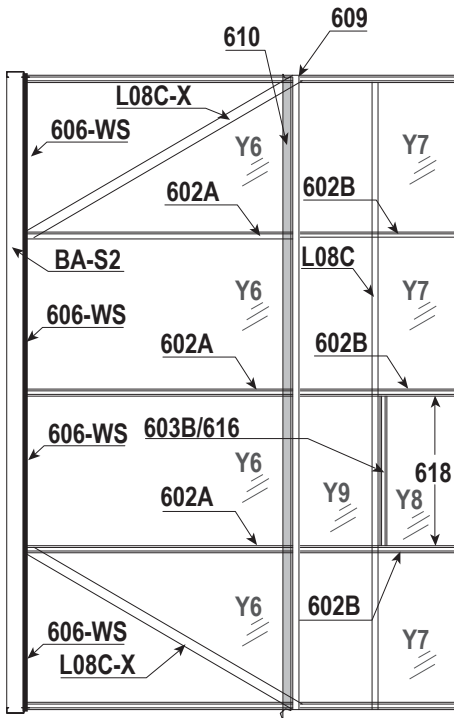
\*See the reference diagrams on pages 6-10 for more information about how the parts will go together and what makes up each section for the assembly. If building a back door you will follow the instructions in the manual, the parts for the transformation are in box **GRA-ASC-BD**.



**DIAGRAM SHOWS THE ASSEMBLED  
(8'x8' BASIC CONFIGURATION)  
(GRA-ASC-8A & GRA-ASC-8P & GRA-BAS-8)  
8x8 ASCENT KIT INCLUDES, FRONT,  
BACK, BASE AND SIDES.**

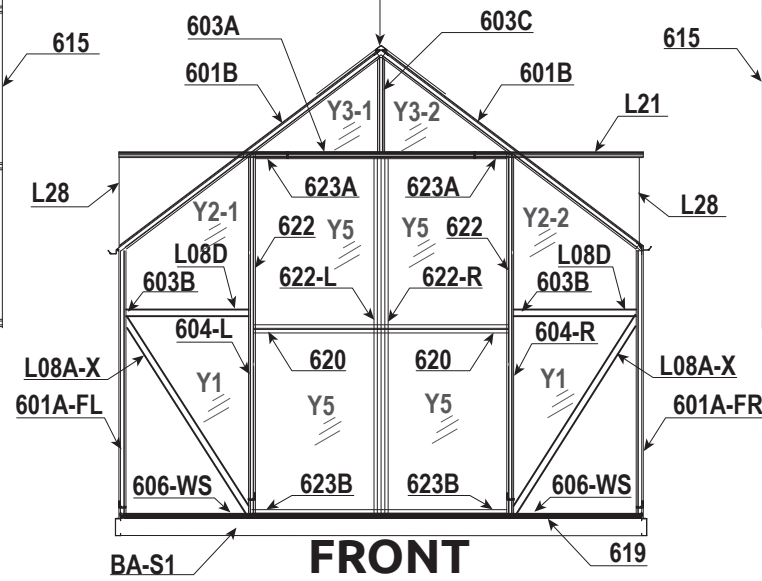
**LEFT SIDE**

**RIGHT SIDE**



**LEFT SIDE**

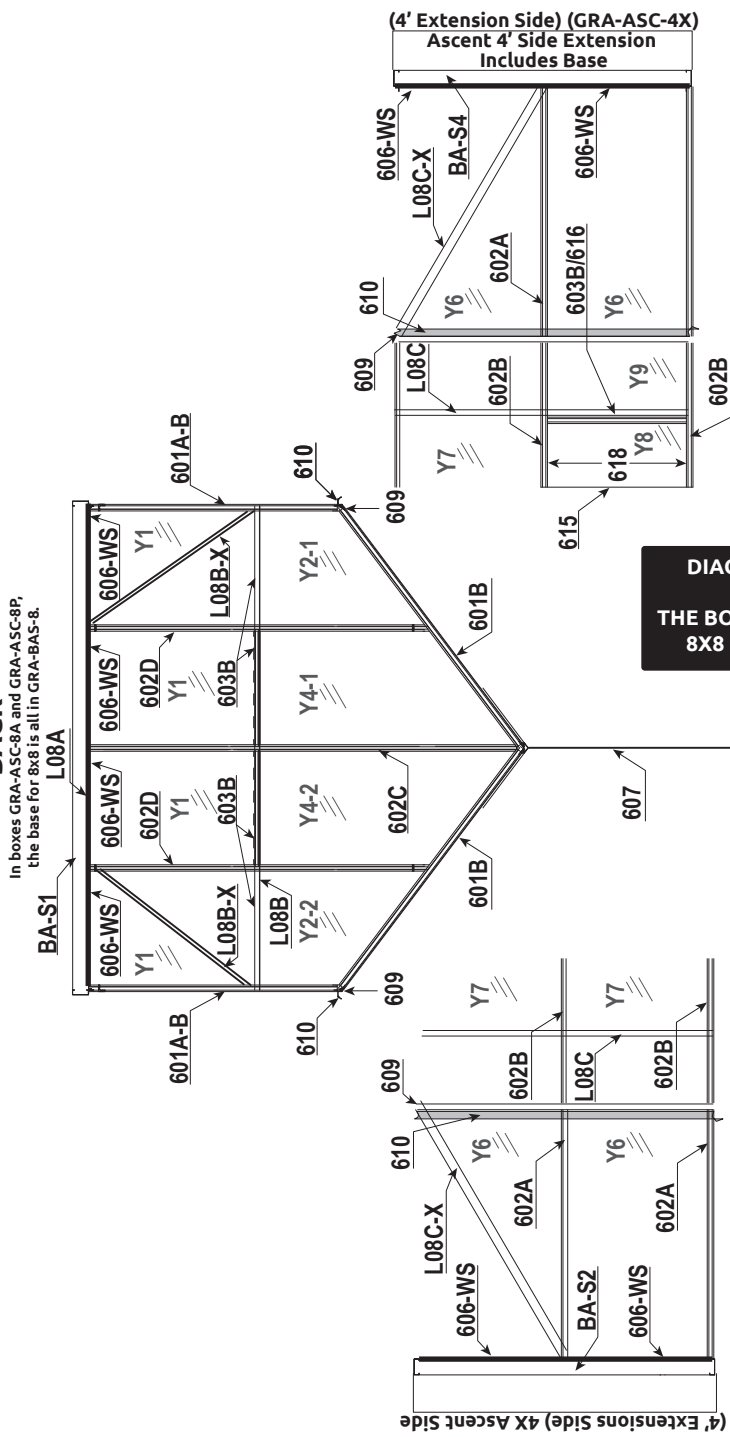
**RIGHT SIDE**



**FRONT**

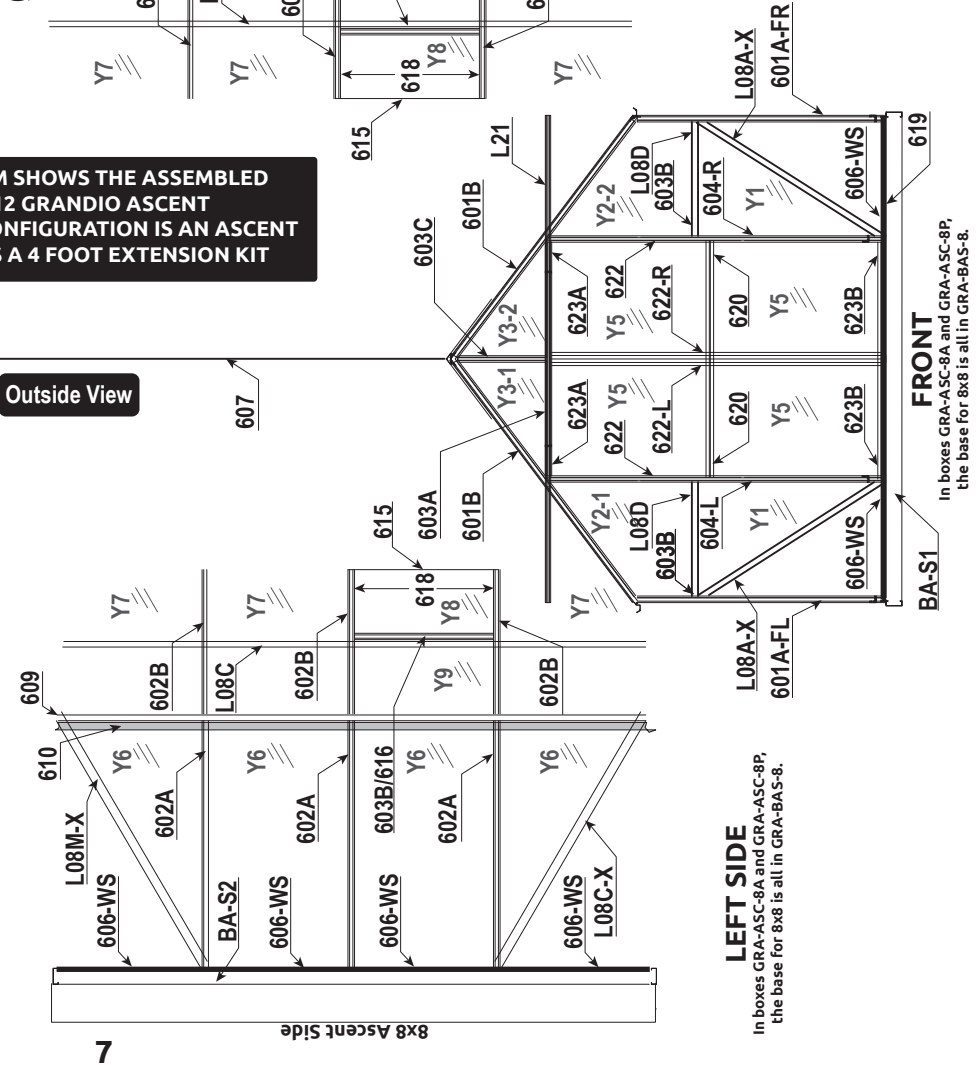
**Outside View**

**BACK**  
In boxes GRA-ASC-8A and GRA-ASC-8P,  
the base for 8x8 is all in GRA-BAS-8.



**DIAGRAM SHOWS THE ASSEMBLED  
8X12 GRANDIO ASCENT  
THE BOX CONFIGURATION IS AN ASCENT  
8X8 PLUS A 4 FOOT EXTENSION KIT**

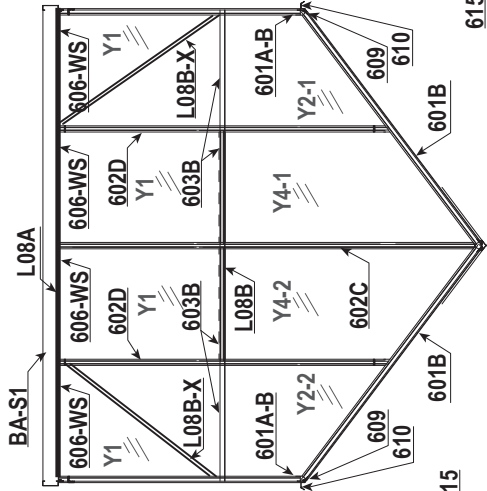
Outside View





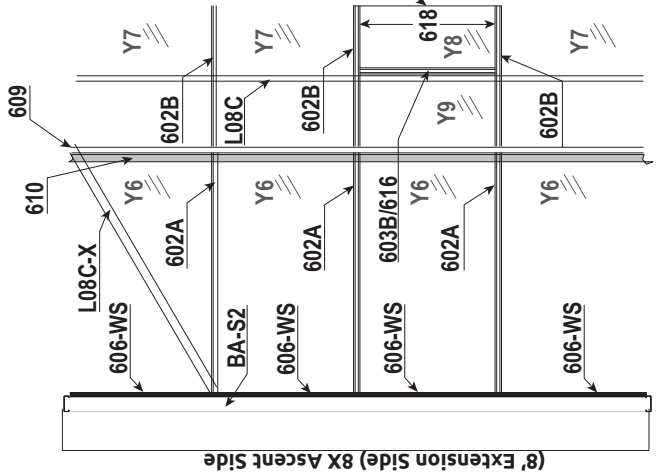
**BACK**

In boxes GRA-ASC-8A and GRA-ASC-8P, the base for 8x8 is all in GRA-BAS-8.

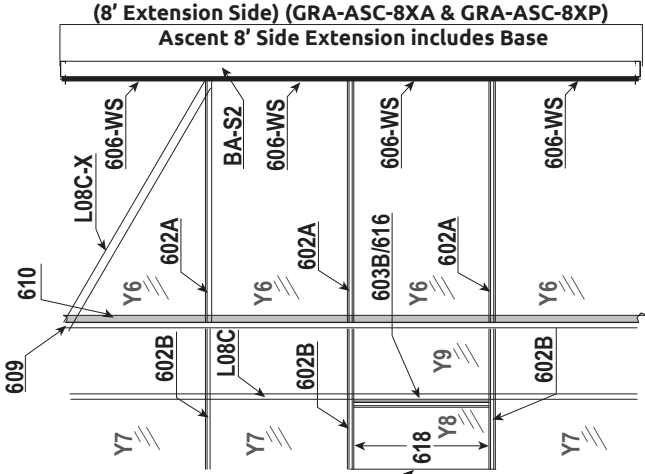


**DIAGRAM SHOWS THE ASSEMBLED 8X16 GRANDIO ASCENT  
THE BOX CONFIGURATION IS AN ASCENT 8X8  
PLUS AN 8 FOOT EXTENSION KIT**

**Outside View**

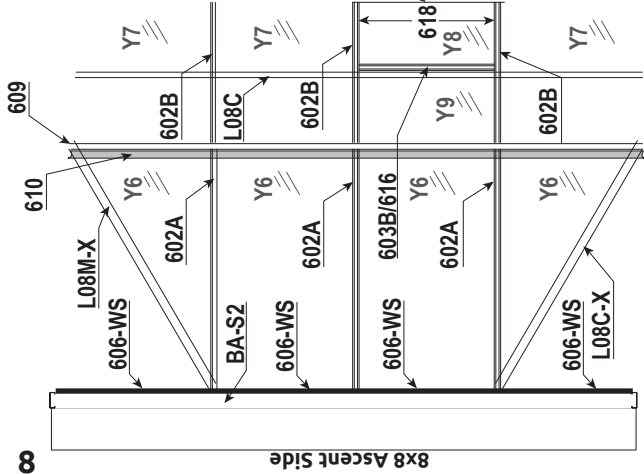


**(8' Extension Side) 8X Ascent Side**

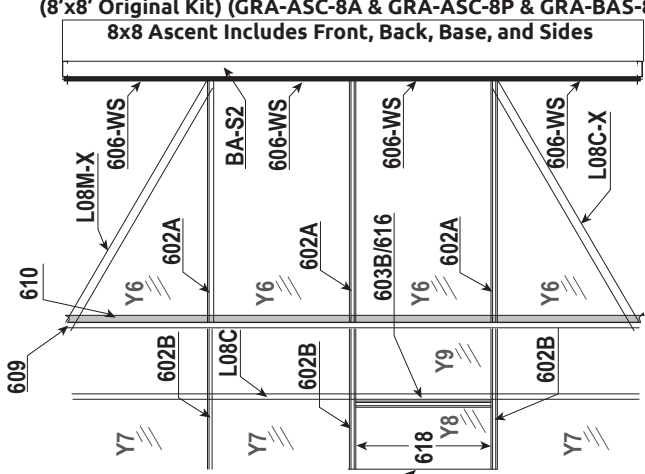


**(8' Extension Side) (GRA-ASC-8XA & GRA-ASC-8XP)  
Ascent 8' Side Extension includes Base**

**8**



**8x8 Ascent Side**



**(8'x8' Original Kit) (GRA-ASC-8A & GRA-ASC-8P & GRA-BAS-8)  
8x8 Ascent Includes Front, Back, Base, and Sides**

**LEFT SIDE**

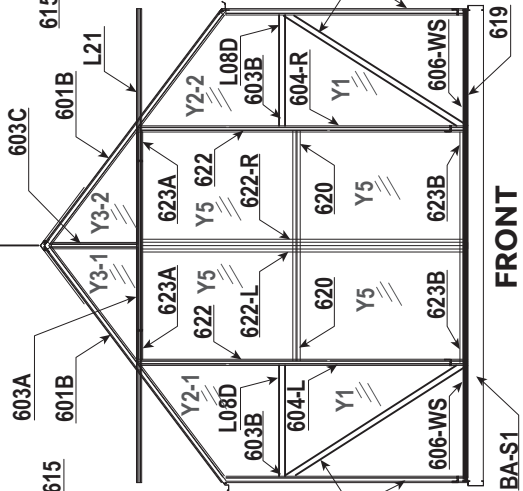
In boxes GRA-ASC-8A and GRA-ASC-8P, the base for 8x8 is all in GRA-BAS-8.

**RIGHT SIDE**

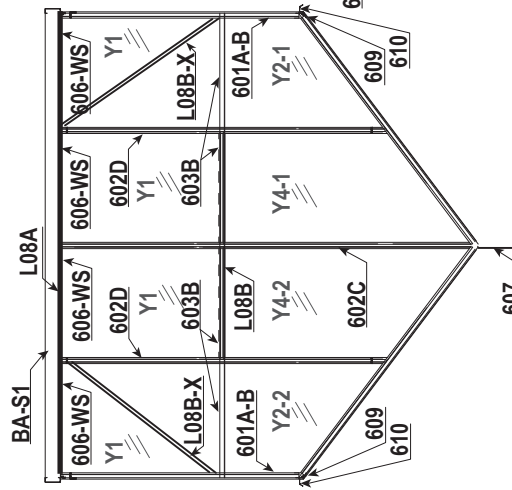
In boxes GRA-ASC-8A and GRA-ASC-8P, the base for 8x8 is all in GRA-BAS-8.

**FRONT**

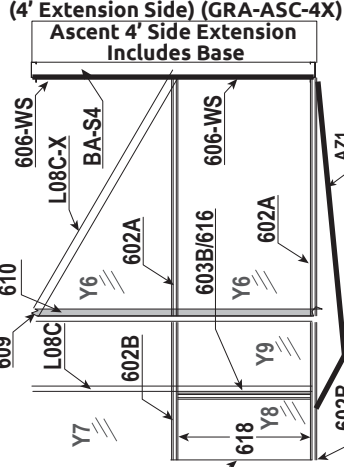
In boxes GRA-ASC-8A and GRA-ASC-8P, the base for 8x8 is all in GRA-BAS-8.



**BACK**  
In boxes GRA-ASC-8A and GRA-ASC-8P,  
the base for 8x8 is all in GRA-BAS-8.



(4' Extensions Side) 4X Ascent Side



**Outside View**

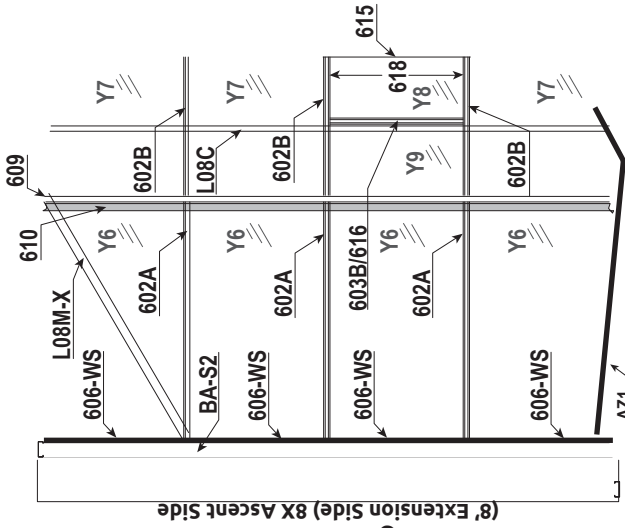
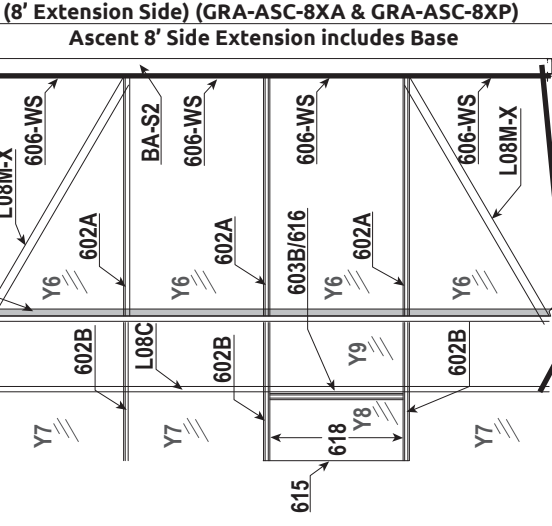
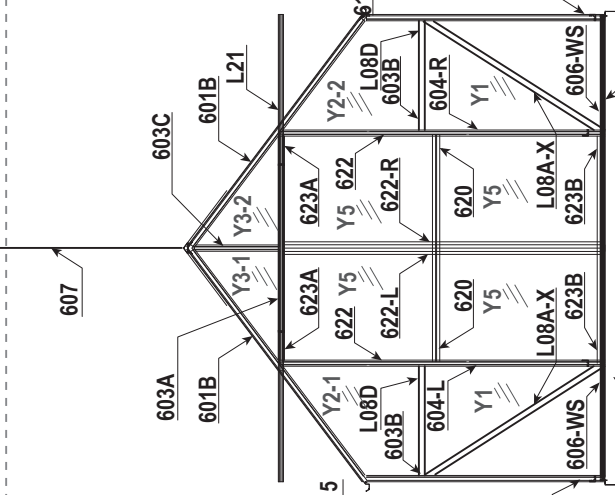
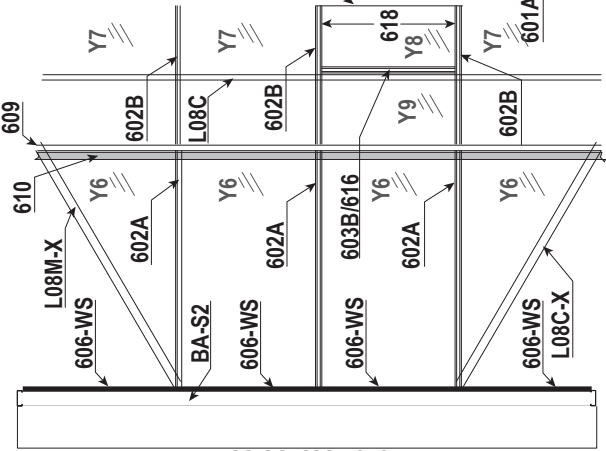


DIAGRAM SHOWS THE ASSEMBLED  
8X20 GRANDIO ASCENT  
THE BOX CONFIGURATION IS AN ELITE 8X8  
PLUS AN 8 FOOT AND A 4 FOOT EXTENSION KIT



6



**LEFT SIDE**

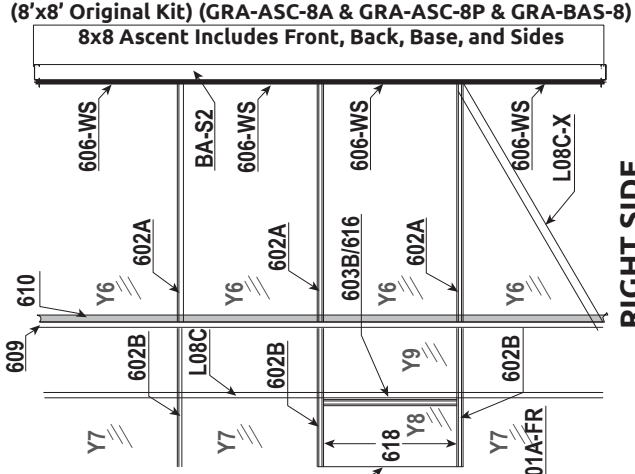
In boxes GRA-ASC-8A and GRA-ASC-8P,  
the base for 8x8 is all in GRA-BAS-8.

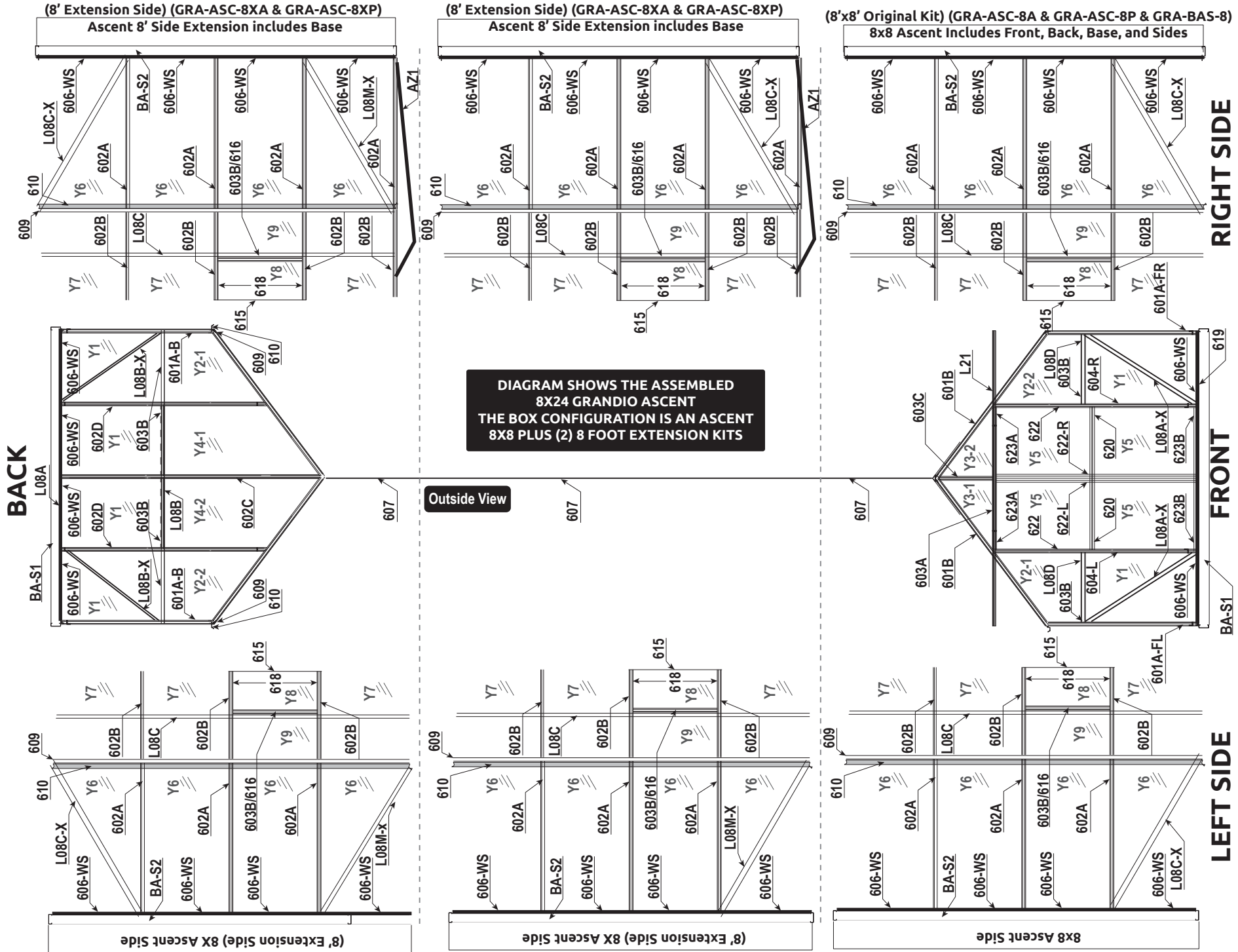
**FRONT**

In boxes GRA-ASC-8A and GRA-ASC-8P,  
the base for 8x8 is all in GRA-BAS-8.

**RIGHT SIDE**

In boxes GRA-ASC-8A and GRA-ASC-8P,  
the base for 8x8 is all in GRA-BAS-8.





# BASE KIT ASSEMBLY INSTRUCTIONS

## **Pre-Plan The Placement Of Your Structure**

Allow enough room to get a wheel barrow in and around your structure.

Be sure the orientation will allow for proper drainage in and around your greenhouse.

It is recommended that you place your greenhouse in an area of your property that receives the most sunlight but is also somewhat protected by trees, fencing or your home for wind protection and also to keep the temperature up during early spring and late fall.

The best placement depends on the features of your property, it is suggested in most scenarios to have your greenhouse face South on its broadest side and to have the door face East or West depending on typical wind directions in your area. Do not worry if your orientation will not allow for the placement to be as suggested, as a greenhouse that is facing North is better than no greenhouse at all.

Avoid building your greenhouse at the base of a slope as these are often frost pockets where cold air collects, this will not be good for your greenhouse in keeping the temperature up inside.

**Extreme Wind Conditions:** If you live in a windy location there is no way to build a 100% storm safe greenhouse, but there are a number of things you can do to minimize the chance of damage. Ensure that the base is level and square, be sure all panels are tightly in place and that all aluminum extrusions are tight. The main problem is usually that wind gets into the greenhouse and the pressure pushes a panel out and then the force of the wind on the interior causes more damage. It is best if you are expecting an extreme weather event that you disable any auto roof vents and make sure all doors and windows are closed and locked shut. Also you may need to build a wind break for extreme condition areas where wind is constant and extreme.

See our website **GrandioGreenhouses.com** for Extreme Weather Anchoring Kits and Moisture Control Kits to aid in protecting your greenhouse in the event of harsh weather conditions prior to beginning assembly.

It is ideal for your greenhouse to have water, electricity and even gas plumbed into place before construction. This will make watering plants and keeping the temperature and air circulation to the max efficiency.

**See pages 19 and 20 for installation methods below**

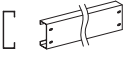
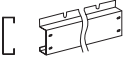
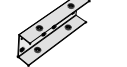
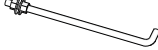
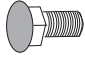

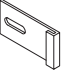
**For Cement Base Installation:** We suggest you use wedge style concrete anchoring bolts to secure your structure.

**For Deck Base Installation:** We recommend you use a set of anchoring bolts to secure your structure.



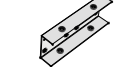
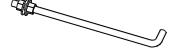

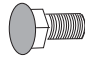

**For Earth Installation:** We recommend you use the anchoring system provided and bury corner posts into the ground and seal into place with quickrete.

# BASE KIT PARTS LIST

**(GRA-BAS-8) BASE AND ACCESSORY PACKING LIST PARTS WILL BE FOUND IN (GRA-BAS-8) BOX**

GRAPHIC	PART NAME	SIZE/LOCATION	QUANTITY
	BA-S1	97 3/8 in / 2474 mm	2
	BA-S2	94/4 in / 2394 mm	2
	BA-C3	5 7/16 in 138 mm	4
	BA-A1	9 13/16 in / 250 mm	4
	BA-S03	M6*14	28
	BA-M03	NUT	28
	W05	CLIPS	9


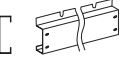
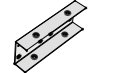
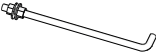

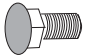

**(GRA-BAS-4X) BASE AND ACCESSORY PACKING LIST PARTS WILL BE FOUND IN (GRA-ASC-4X) BOX**

GRAPHIC	PART NAME	SIZE/LOCATION	QUANTITY
	BA-S5	46 3/4 in / 1187 mm	1
	BA-S6	46 3/4 in / 1187 mm	1
	BA-C4	8 7/16 in / 214 mm	2
	BA-A1	9 13/16 in / 250 mm	2
	BA-S10	1/2 x 3/4	2
	BA-S03	M6*14	16
	BA-M03	NUT	16

PARTS LIST FOR BASE KIT

# BASE KIT PARTS LIST

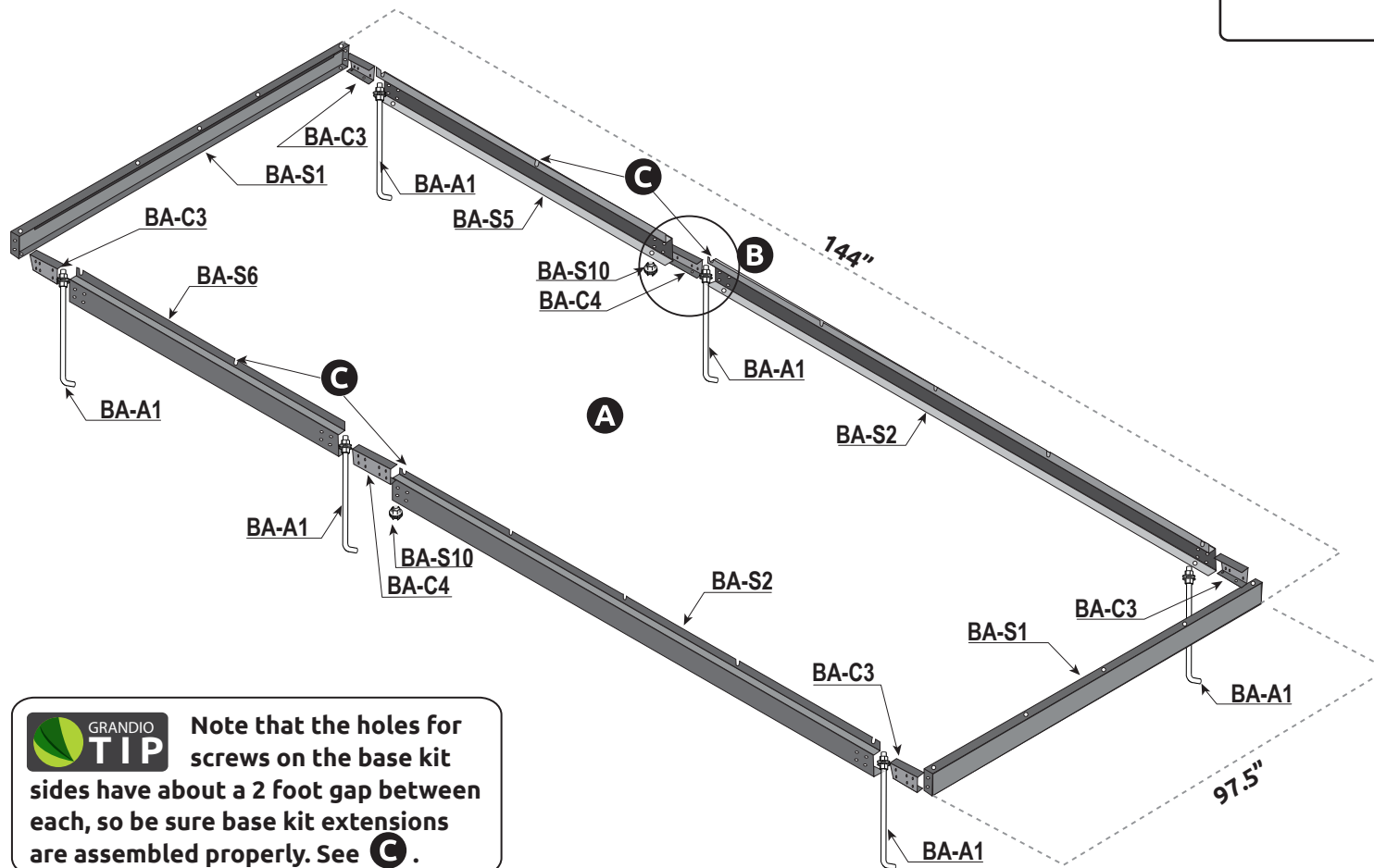
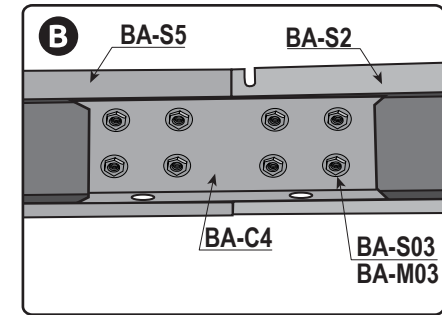
(GRA-BAS-8X) BASE AND ACCESSORY PACKING LIST  
PARTS WILL BE FOUND IN (GRA-ASC-8XA) BOX

GRAPHIC	PART NAME	SIZE/LOCATION	QUANTITY
	BA-S3	93 7/16 in / 2374 mm	1
	BA-S4	93 7/16 in / 2374 mm	1
	BA-C4	8 7/16 in / 214 mm	2
	BA-A1	9 13/16 in / 250 mm	2
	BA-S10	1/2 X 3/4	2
	BA-S03	M6*14	16
	BA-M03	NUT	16

# 8x12 BASE KIT ASSEMBLY INSTRUCTIONS (GRA-BAS-8) AND (GRA-ASC-4X)

**1.1** Layout all base kit pieces to prepare for assembly. Note that one **BA-S1** will be at the front and one **BA-S1** will be at the back and the **BA-S2**'s will be on the sides attaching to the front **BA-S1**. The **BA-S5** and **BA-S6** will attach to the back **BA-S1**, See diagram **A**.

**1.2** Attach the **BA-S2** to the **BA-S5** with the **BA-C4** using the **BA-S03** and **BA-M03**. See **B**. Repeat for other side connecting the **BA-S6** and the **BA-S2**.  
Go to page 18 for the next step.

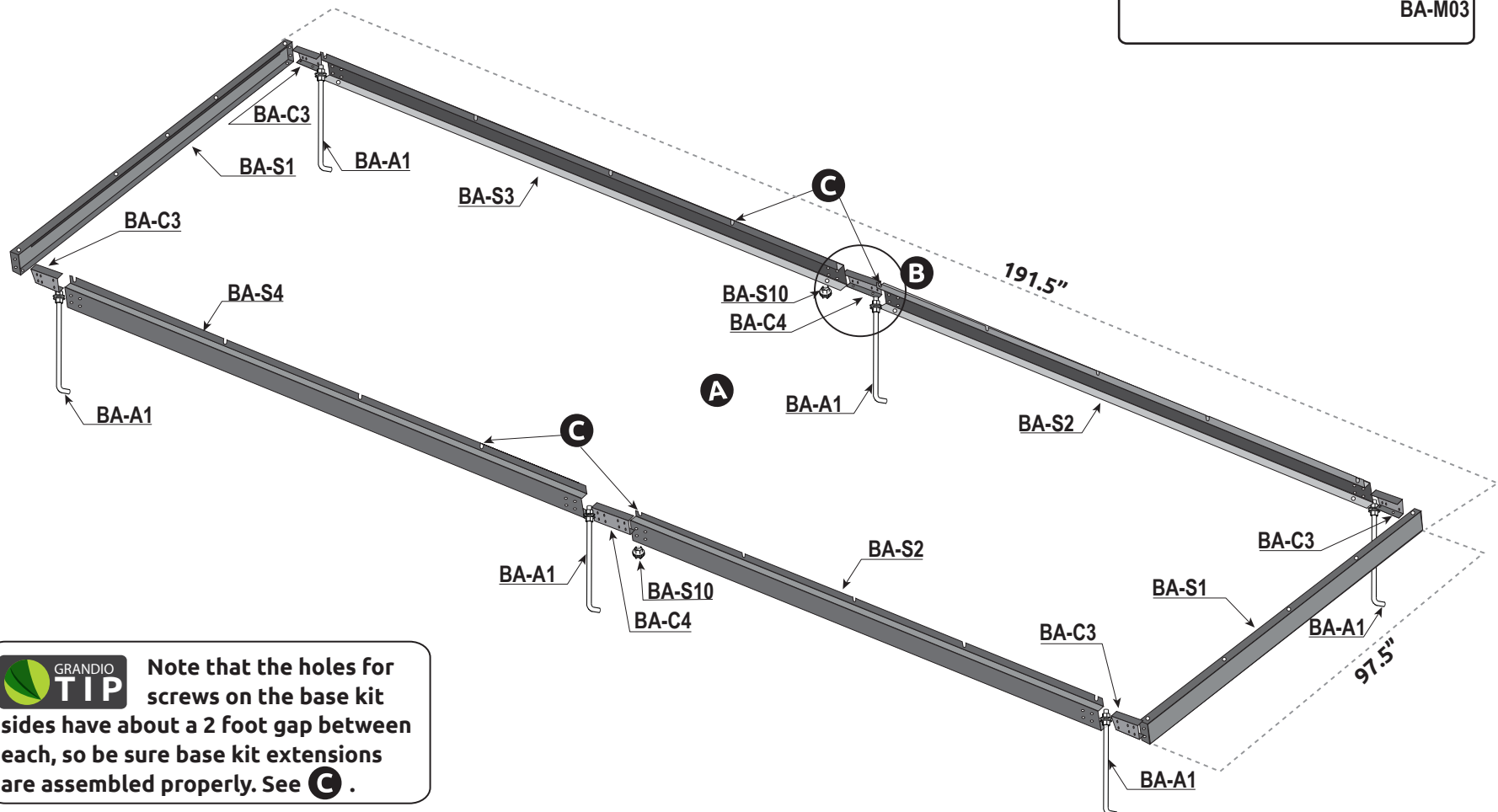
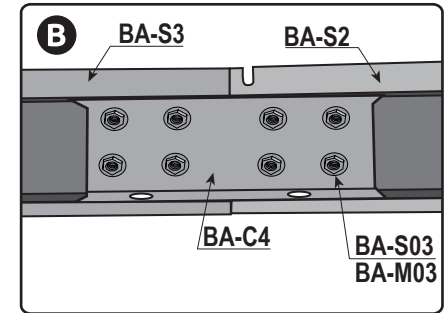


**GRANDIO TIP** Note that the holes for screws on the base kit sides have about a 2 foot gap between each, so be sure base kit extensions are assembled properly. See **C**.

# 8x16 BASE KIT ASSEMBLY INSTRUCTIONS (GRA-BAS-8) AND (GRA-ASC-8XA)

**1.3** Layout all base kit pieces to prepare for assembly. Note that one **BA-S1** will be at the front and one **BA-S1** will be at the back and the **BA-S2**'s will be on the sides attaching to the front **BA-S1**. The **BA-S3** and **BA-S4** will attach to the back **BA-S1**. See diagram **A**.

**1.4** Attach the **BA-S2** to the **BA-S3** with the **BA-C4** using the **BA-S03** and **BA-M03**. See **B**. Repeat for other side connecting the **BA-S4** and the **BA-S2**. Go to page 18 for the next step.



**STEP ONE**

**GRANDIO TIP** Note that the holes for screws on the base kit sides have about a 2 foot gap between each, so be sure base kit extensions are assembled properly. See **C**.

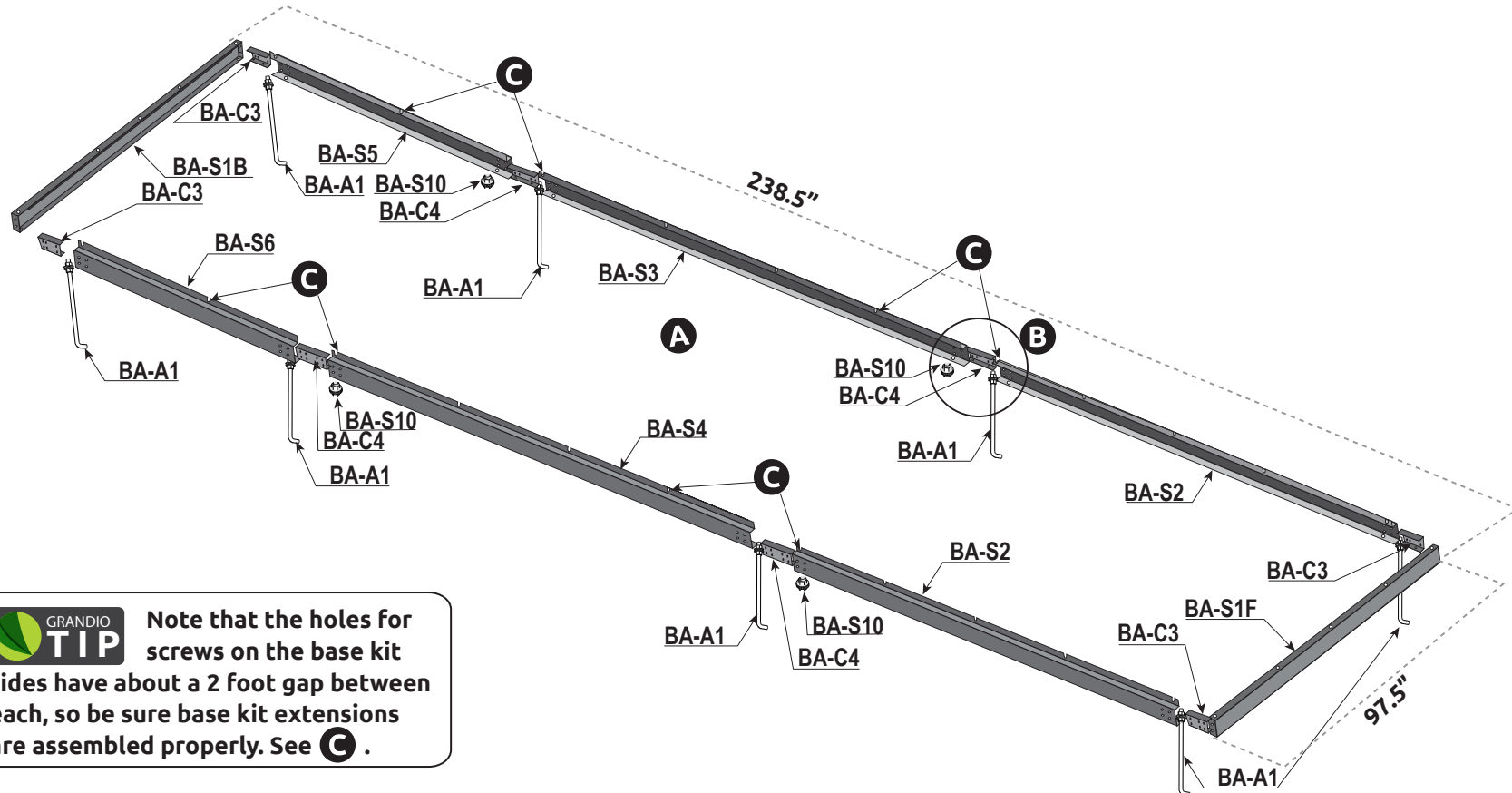
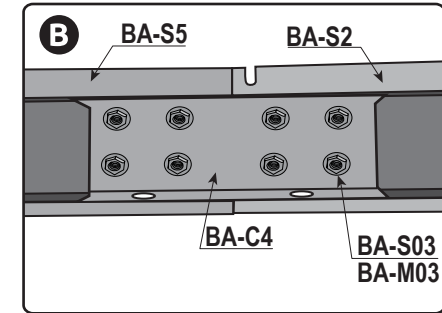


# 8x20 BASE KIT ASSEMBLY INSTRUCTIONS (GRA-BAS-8) AND (GRA-ASC-8XA) AND (GRA-ASC-4X)

**1.5** Layout all base kit pieces to prepare for assembly. Note that one **BA-S1** will be at the front and one **BA-S1** will be at the back and the **BA-S2**'s will be on the sides attaching to the front **BA-S1**. The **BA-S5** and **BA-S6** will attach to the back **BA-S1**, See diagram **A**.

**1.6** Attach the **BA-S2** to the **BA-S3** with the **BA-C4** using the **BA-S03** and **BA-M03**. See **B**. Repeat for other side connecting the **BA-S4** and the **BA-S2**, then **BA-S3** to **BA-S5** and **BA-S4** to **BA-S6**.

Go to page 18 for the next step.



**GRANDIO TIP** Note that the holes for screws on the base kit sides have about a 2 foot gap between each, so be sure base kit extensions are assembled properly. See **C**.

STEP ONE

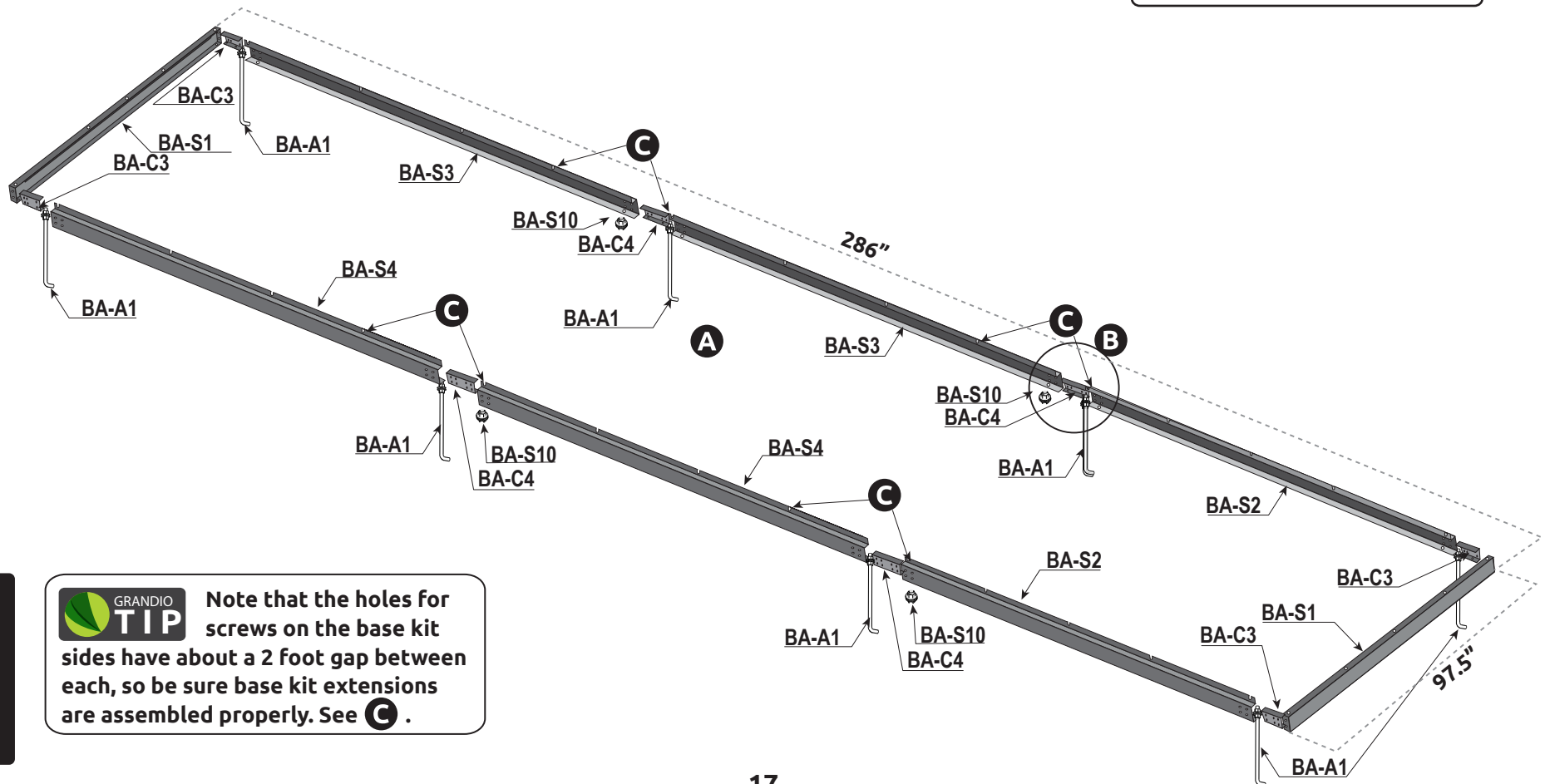
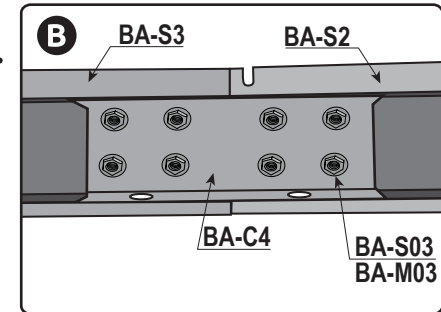
# 8x24 BASE KIT ASSEMBLY INSTRUCTIONS

## (GRA-BAS-8) AND (GRA-ASC-8XA) AND (GRA-ASC-8XA)

**1.7** Layout all base kit pieces to prepare for assembly. Note that one **BA-S1** will be at the front and **BA-S1** will be at the back and the **BA-S2's** will be on the sides attaching to the front **BA-S1**. The **BA-S3** and **BA-S4** will attach to the back **BA-S1**. The **BA-S3** will attach to the other **BA-S3** and **BA-S4** will attach to the other **BA-S4**. See diagram **A**.

**1.8** Attach the **BA-S2** to the **BA-S3** with the **BA-C4** using the **BA-S03** and **BA-M03**. See **B**. Repeat for other side connecting the **BA-S4** and the **BA-S2**, and then the **BA-S3** to the **BA-S3**, and then the **BA-S4** to the **BA-S4**.

Go to page 18 for the next step.



STEP ONE



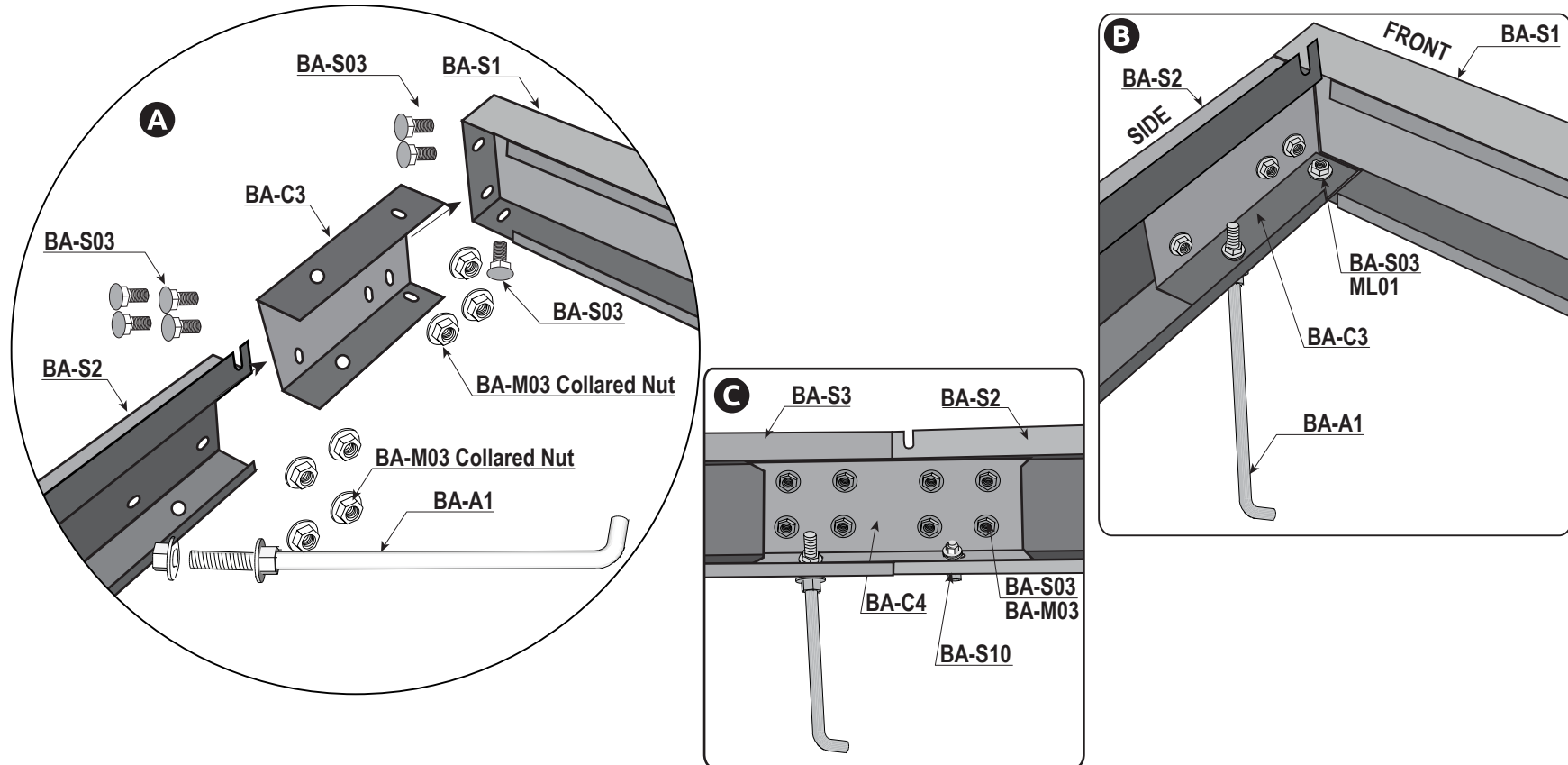
Note that the holes for screws on the base kit sides have about a 2 foot gap between each, so be sure base kit extensions are assembled properly. See **C**.

# BASE KIT ASSEMBLY INSTRUCTIONS

**1.9** Slide the **BA-C3** into the **BA-S1**, slide the **BA-S2** into the **BA-C3**, align the holes and push together to an even and tight position and use the **BA-S03** Bolt and **BA-M03** Collard Nut combo, tighten the collard nut on the inside of the base kit using the 10mm wrench. Repeat this process on all corners. See **A** and **B**.

Note: **BA-S1** will be the front and back, while the **BA-S2**'s will be the sides of your greenhouse base.

**1.10 For Ground Installation only** Insert the **BA-S03** and the **BA-A1** into the holes at the bottom side of the corners of the base, the nut will be tightened on the inside of base. You will install the **BA-A1** and the **BA-S10** in the middle where the extensions meet see **C**. If you are mounting your base kit to a flat mount surface like a deck or cement pad discard the **BA-S10** and **BA-A1**, you will need to purchase a fastener for your installation surface.



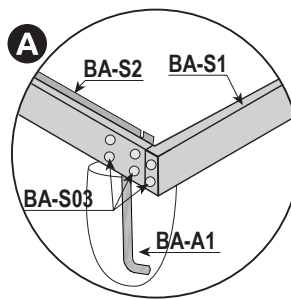
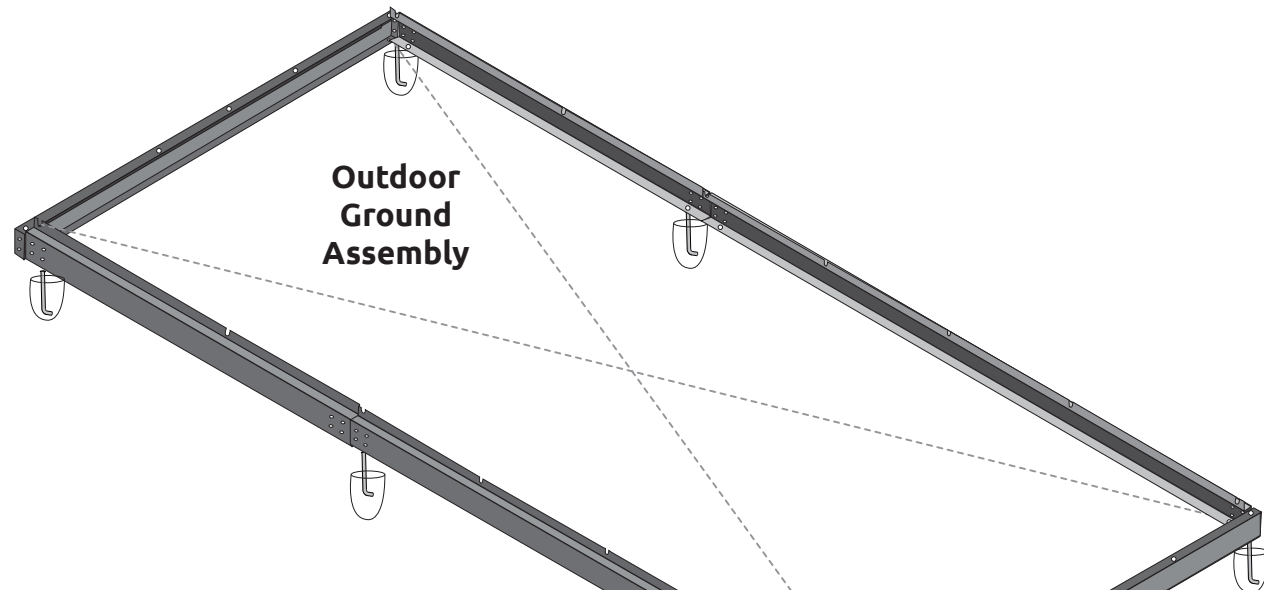
# BASE KIT GROUND INSTALLATION

**\*\*BASE MUST BE LEVEL & SQUARE,  
FOUNDATION MUST BE PROPERLY ANCHORED PRIOR TO GREENHOUSE ASSEMBLY**

## 1.11 BA-A1 must be buried in ground. See **A**.

Dig holes to bury the BA-A1's, you determine size and depth for your location.

**We recommend you use:** Quikrete fast setting concrete to anchor base. Follow the directions on the package.



**A** **BA-A1** \* Must be inserted into the ground, and secured with concrete.

STEP ONE



**GRANDIO TIP** Make sure base is squared and level before setting anchor into concrete. Use a measuring tape to ensure all corners are the same. Use level on all four sides.

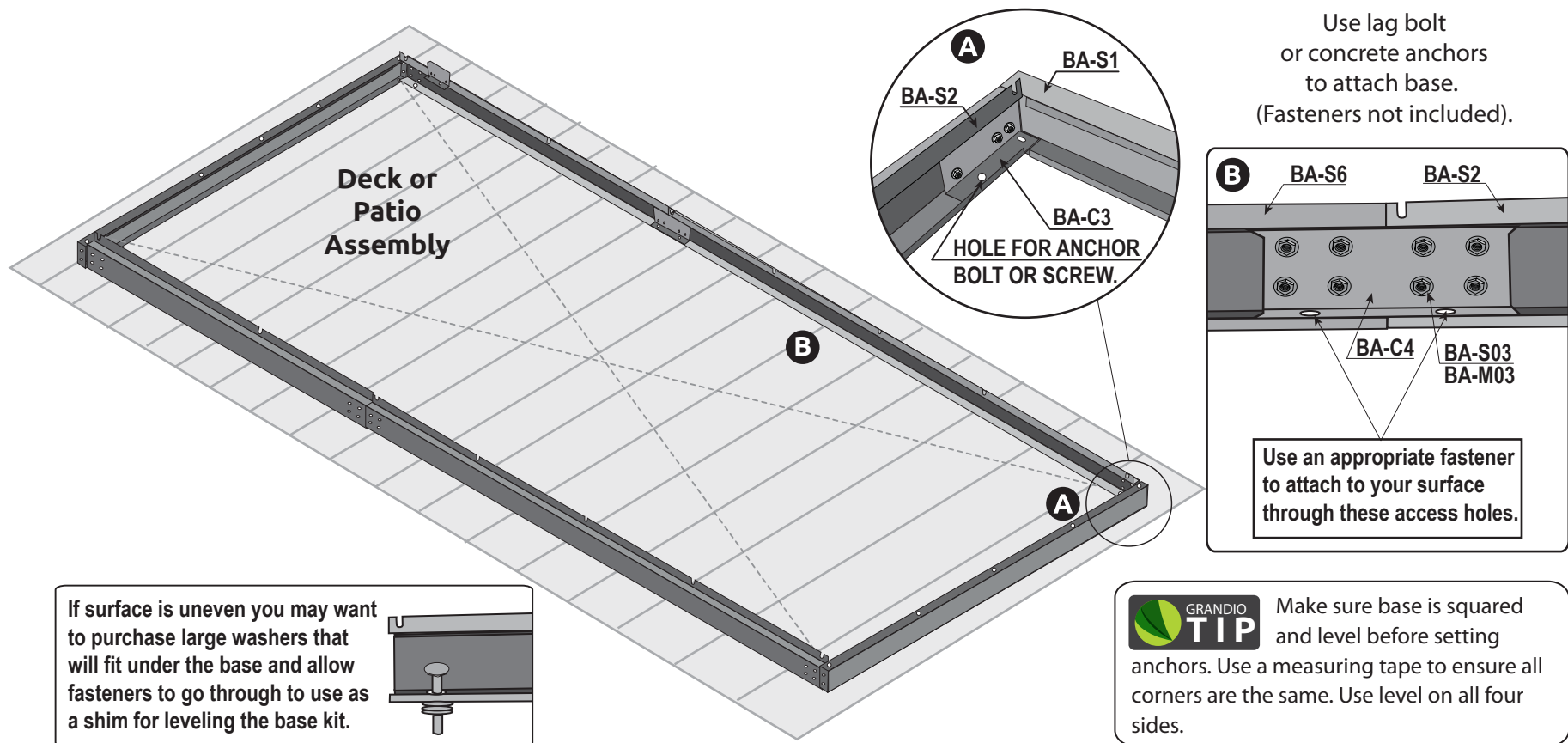
# BASE KIT DECK INSTALLATION

**\*\*BASE MUST BE LEVEL & SQUARE,  
FOUNDATION MUST BE PROPERLY ANCHORED PRIOR TO GREENHOUSE ASSEMBLY**

**1.12 Holes are present in base kit for anchoring bolts see **A** and **B**.**

You determine and acquire proper fastener prior to installation for your surface.

**Discard the BA-A1 and BA-S10 for deck or concrete slab installation.**



# FRONT FRAME ASSEMBLY

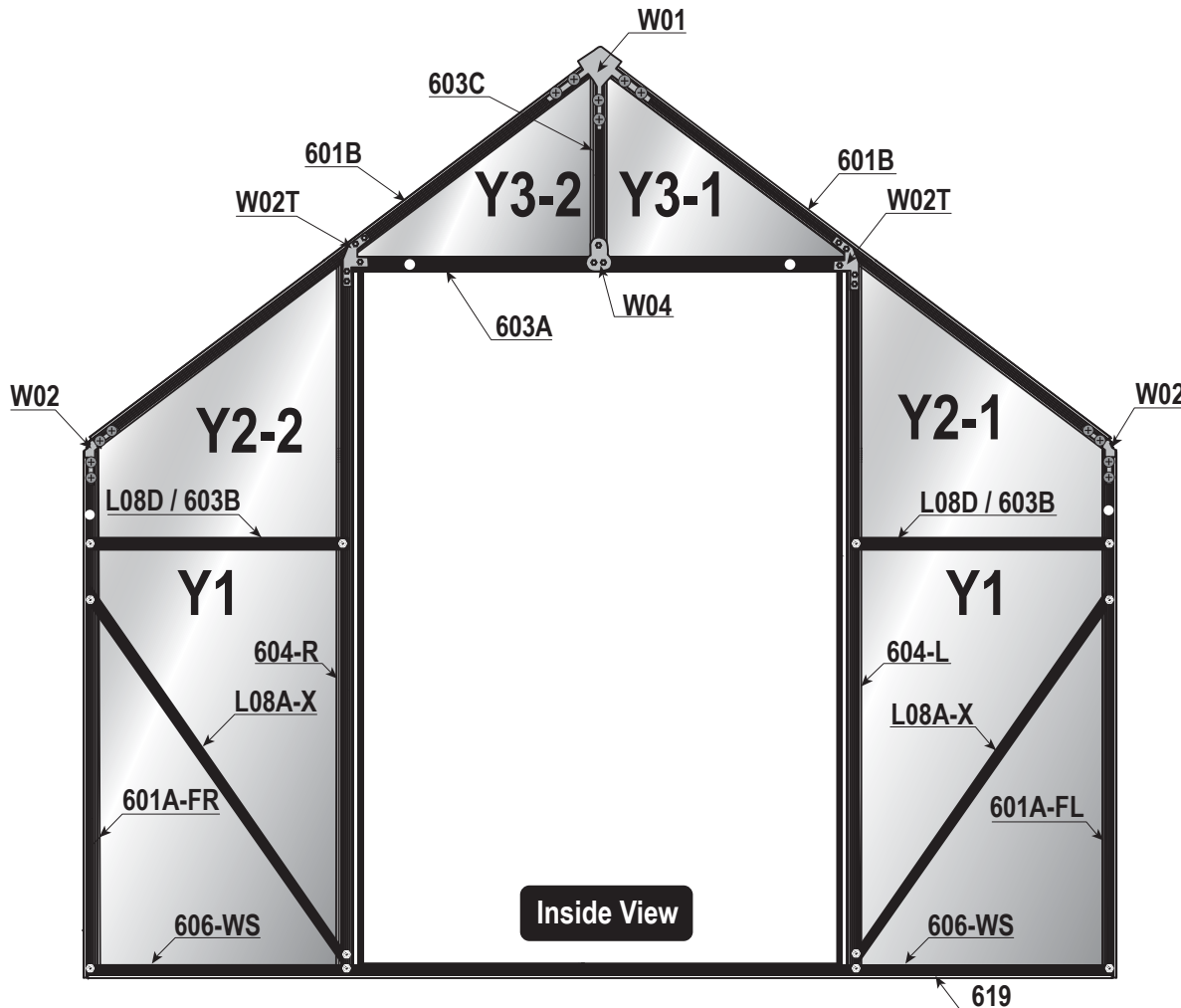
ALWAYS ASSEMBLE FRONT HORIZONTAL

This picture shows the inside view of front section fully assembled.  
All parts for this section will be found in boxes GRA-ASC-8A and GRA-ASC-8P.

We recommend that you assemble the front wall on a tarp.

\* If you purchased the Back Door Transformation kit you will repeat this section for your back wall using parts found in GRA-ASC-BD box.

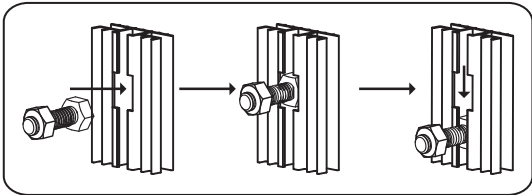
If you want to purchase the Back Door Transformation kit call 1-866-448-8231.



**GRANDIO TIP** We recommend watching our how to assembly videos with tricks and tips for easier assembly and installation of your Grandio Greenhouse at: [www.grandiogreenhouses.com](http://www.grandiogreenhouses.com)

**GRANDIO TIP** Lay flat on ground to assemble the front frame of your greenhouse. If possible try to find a shady area protected from the wind. Panels can burn grass and plants if in direct light.

**GRANDIO TIP BOLT INSTALLATION TIP:** Locate all nuts and bolts, pre thread and place in the groove of the extrusion to make installation easier. Move up or down for exact placement.



# FRONT FRAME ASSEMBLY CONTINUED

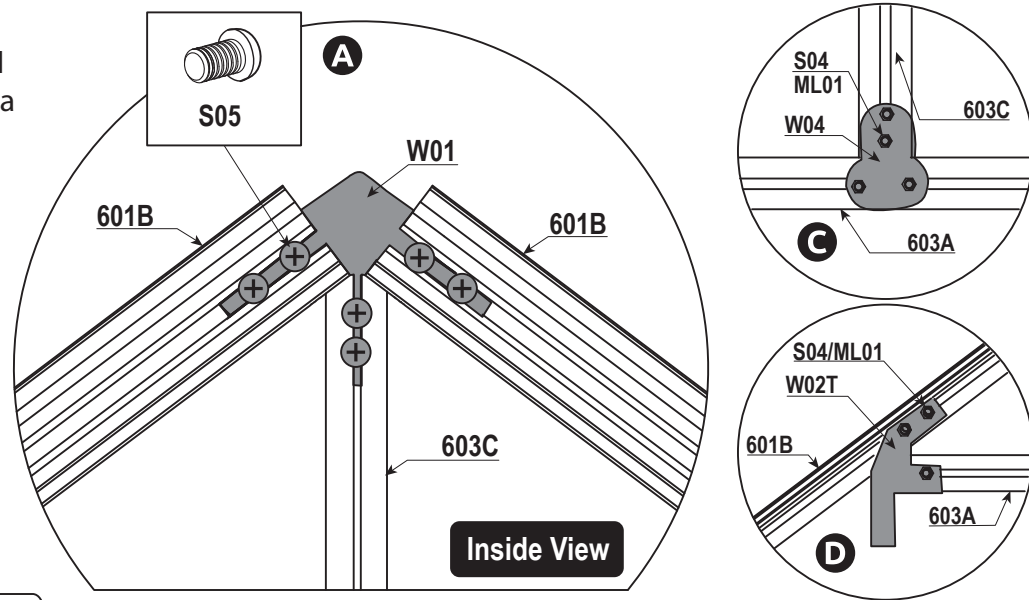
ALWAYS ASSEMBLE FRONT HORIZONTAL

**2.1** Use **W01** bracket to attach the (2) **601B**'s together with the **603C**, secure parts with the **S05** fasteners provided as shown in **A**. Pre thread **W01** fasteners with **S05** for ease of installation, only turn a few times. Screw heads will remain outside channel.

**2.2** Insert **Y3-1** and **Y3-2** window panels as shown in **B**.

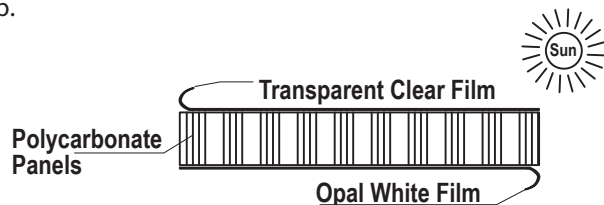
**2.3** Attach **603C** and **603A** with **W04** and **S04/ML01** fasteners as shown in **C**.

**2.4** Attach **W02T** to **601B** and **603A** with the **S04/ML01** fasteners as shown in **D**, leave a bit loose to ease installation of next step.

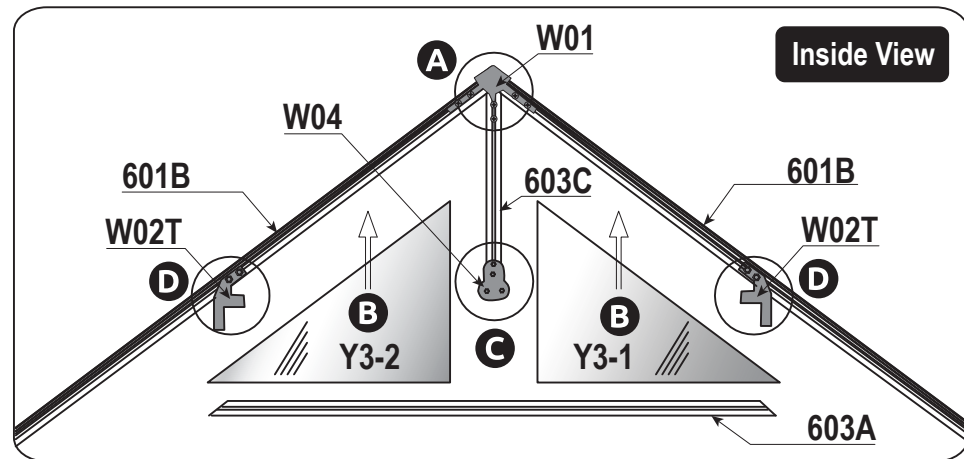


## ▲ IMPORTANT: POLYCARBONATE PANELS ▲

The UV-Protected side is covered with clear film and must face toward the sun. The side covered in white film will always face the interior of the greenhouse. We suggest you peel all film off completely prior to assembly and use a permanent marker to place a small "X" on the lower right corner of each panel on the clear side that faces the sun, each panel has a sticker labeling the panel number and this side always faces the sun or outward as well. **DO NOT REMOVE LABELS UNTIL YOU INSTALL PANELS.** The "X" is suggested in case you dis-assemble your greenhouse in the future so you may identify which side has the UV coating. Always use gloves when handling the polycarbonate panels as the edges can be very sharp.



## ▲ IMPORTANT: Use only S05 Screws, other screws may damage frame. ▲



STEP TWO

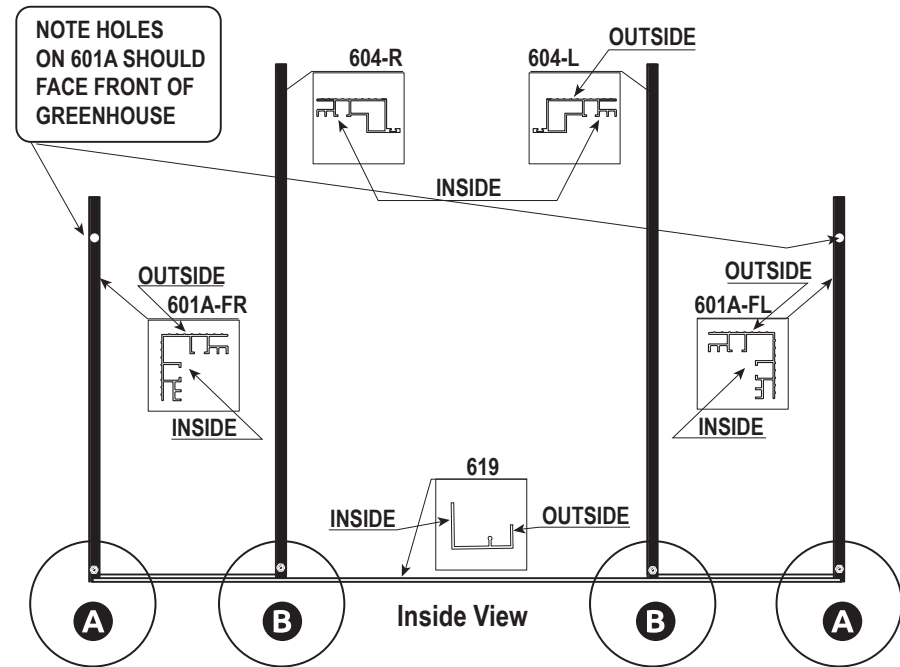
# FRONT FRAME ASSEMBLY CONTINUED

## ALWAYS ASSEMBLE FRONT HORIZONTAL

**2.5** View diagrams and attach the (2) **604's** and (2) **601A's** to the **619** with the **S04/ML01** nut and bolt combos. Note the orientation of the **601A-FR** and **601A-FL** and the holes that should be at the top of the piece and face to the front, see the diagram to the right.

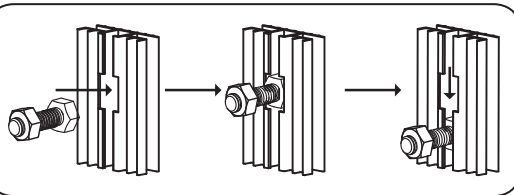
- A** shows where the corner pieces attach to **619**.
- B** shows where the door frame attaches to the **619**.

\*If assembling the back door you will need to drill 1/4" holes in **601-B's** to match the front wall, these holes should face the ground during assembly.

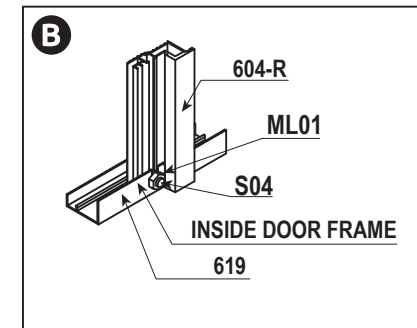
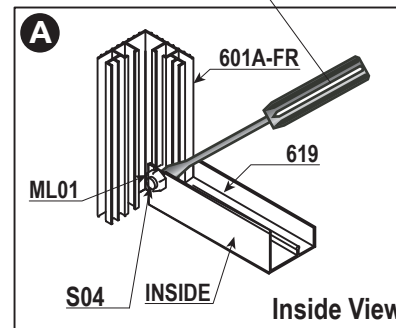


**GRANDIO TIP** Make sure the hole on the **601A-FL** and **601A-FR** face to the front of greenhouse for future install of the **L21** and **L28** bracket that holds the door header in place.

**GRANDIO TIP BOLT INSTALLATION TIP:** Locate all nuts and bolts, pre thread and place in the groove of the extrusion to make installation easier. Move up or down for exact placement.



**TIP:** If necessary you may use a screwdriver to wedge behind the bolt head. This prevents bolt from falling into the track.





# FRONT FRAME ASSEMBLY CONTINUED

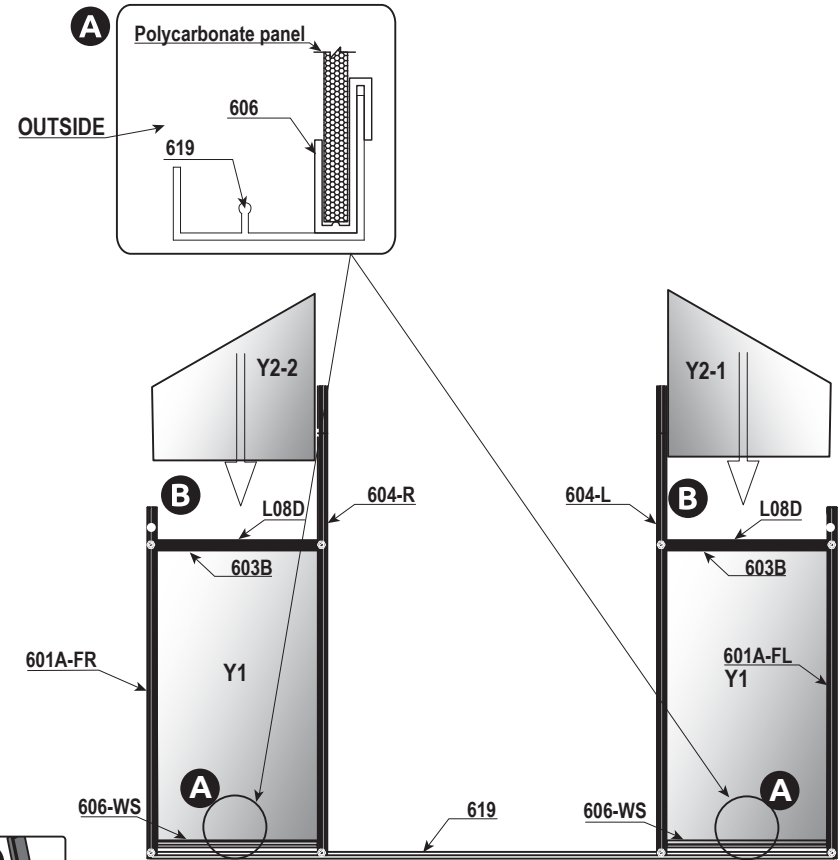
ALWAYS ASSEMBLE FRONT HORIZONTAL

**2.6** Attach **606-WS** to **619**, this will hold the polycarbonate panels in place. If it seems too tight slide fingers or nut driver along edges, gently stretching the **606-WS** to allow room for panels to fit **(A)**.

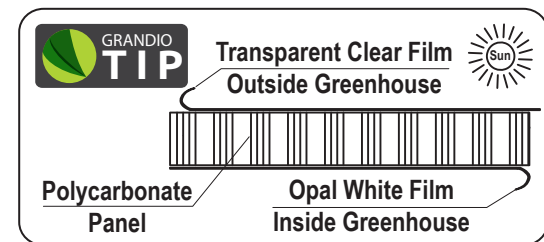
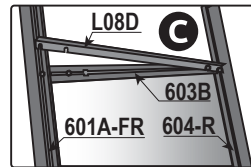
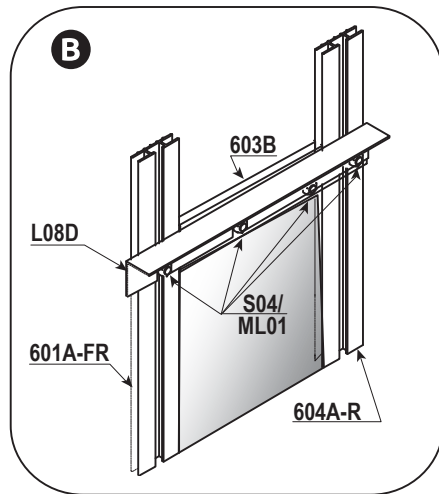
**2.7** Insert **Y1** polycarbonate panels into place, make sure **Y1's** slide completely into **606-WS** as shown in **(A)**.

**2.8** Set (2) **603B's** atop the **Y1** panels, then attach (2) **L08D's** to the **603B's**, **601A's** and **604's** using **S04/ML01** fasteners, make sure it is snug with the tops of the **Y1** panels, then tighten fasteners. See **(B)** and **(C)**.

**2.9** Insert the **Y2-2** and **Y2-1** polycarbonate panels into the track of the **603B**.



Inside View

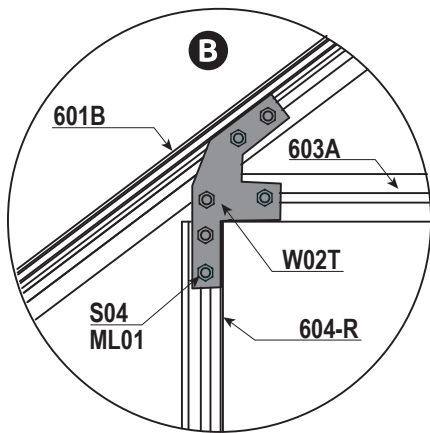
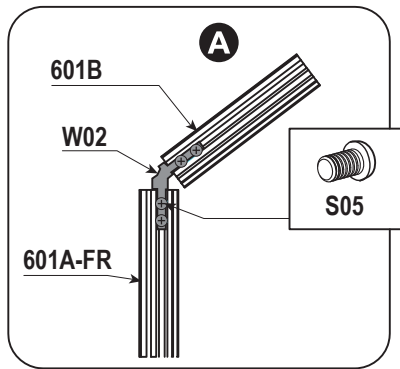


STEP TWO

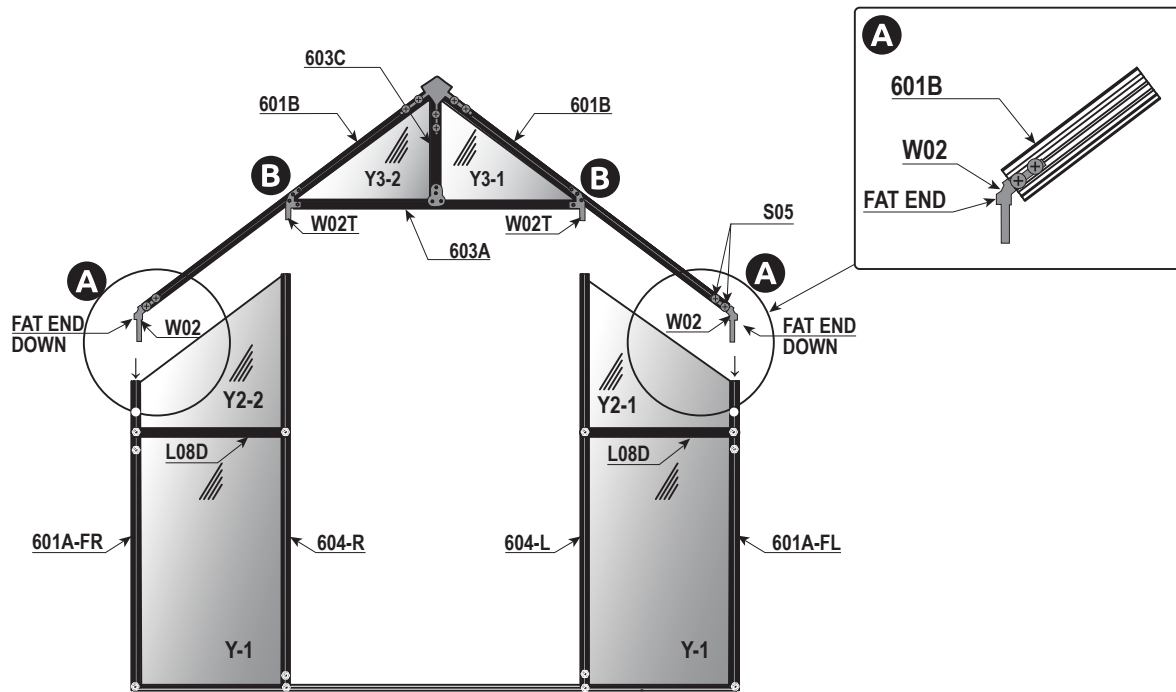
# FRONT FRAME ASSEMBLY CONTINUED

ALWAYS ASSEMBLE FRONT HORIZONTAL

**2.10** Move roof and front section together and align the **WG02's** into the **601A's**, and align the **S04/ML01's** on the **W02T's** into the **604's**. Insure a snug fit between the **W02T's**, **601B's** and **601A's** and then tighten the **S05** screws as shown in **A**. Tighten the **W02T's** with the **S04 /ML01** nut and bolt as shown in **B**.



STEP TWO

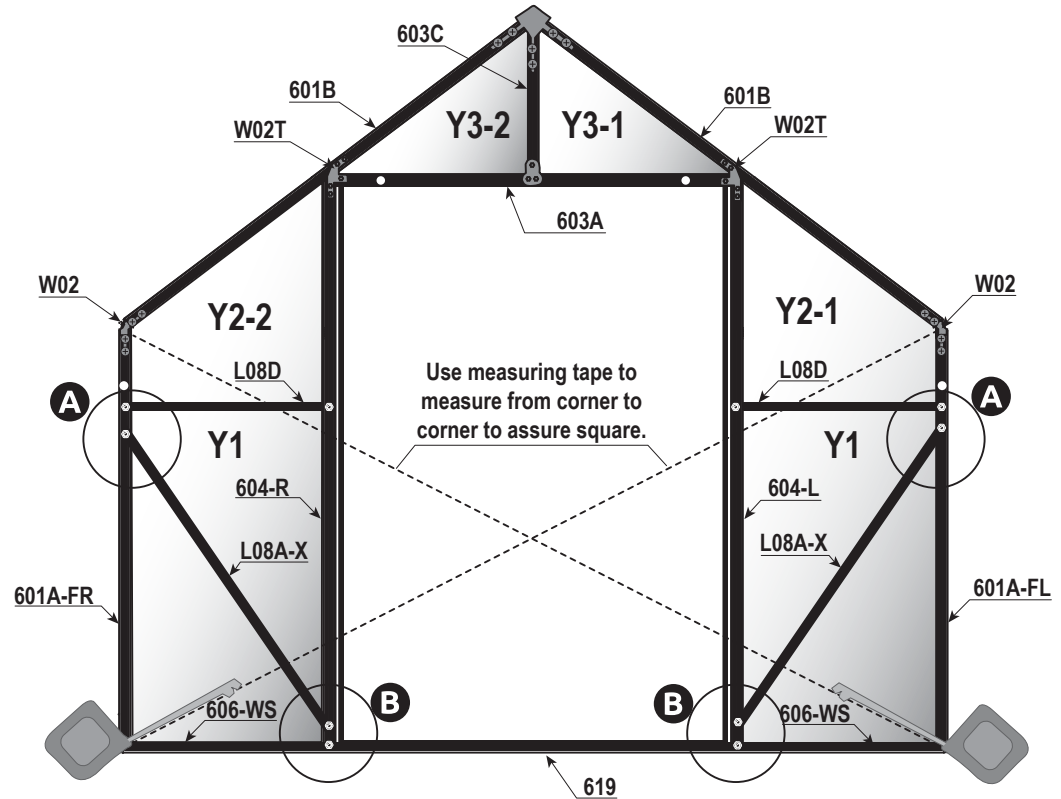
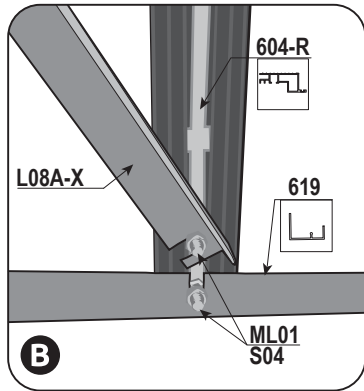
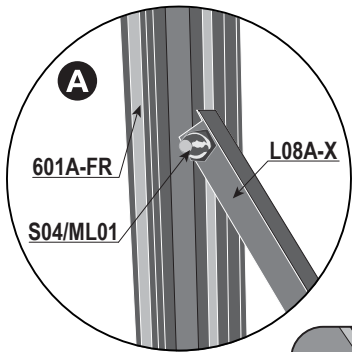


# FRONT FRAME ASSEMBLY CONTINUED

ALWAYS ASSEMBLE FRONT HORIZONTAL

**2.11** Attach the (2) **L08A-X** 's to **601A's** and **604's**.  
See **A** and **B**.

**2.12** To square front section loosen **S04/ML01** attached to the tops of the (2) **L08A-X's**, square the frame with carpenter square or use a measuring tape to make sure corner measurements are the same, tighten **L08X's** to hold square-ness, **L08A-X** should be attached **1"** up from bottom bolt see **B**.



STEP TWO

**GRANDIO TIP** Set front aside in a shaded area, do not lay on grass, prolonged sunlight through the polycarbonate panels will burn if placed directly on top of plants during the intense sun of the day.

# BACK ASSEMBLY INSTRUCTIONS

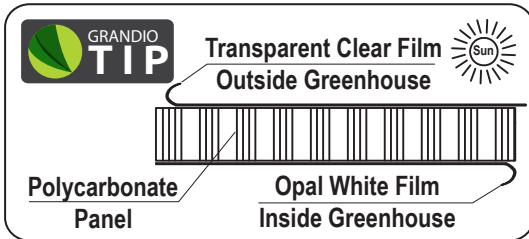
ALWAYS ASSEMBLE BACK HORIZONTAL

This image shows the inside view of the back wall assembly.  
All parts for back assembly will be found in box GRA-ASC-8A and GRA-ASC-8P.

We recommend that you assemble the back wall on a tarp.

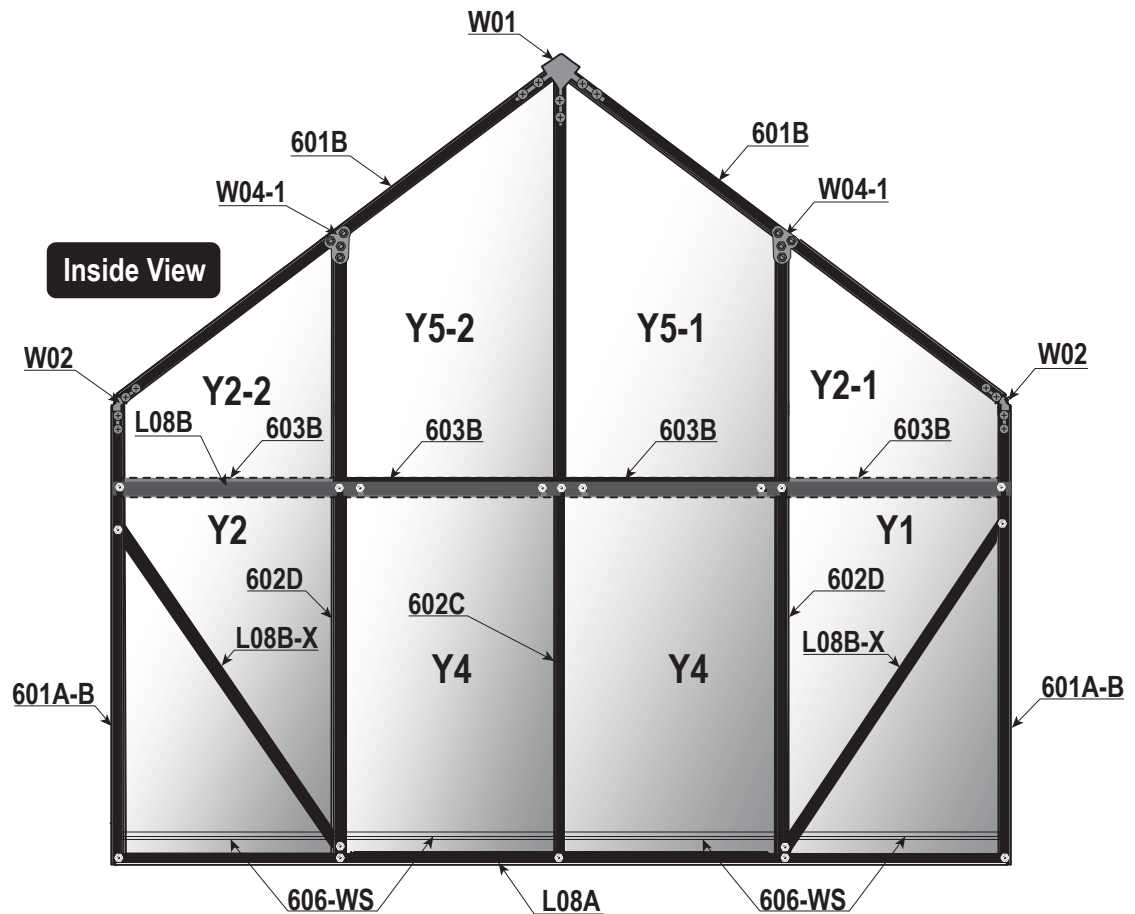
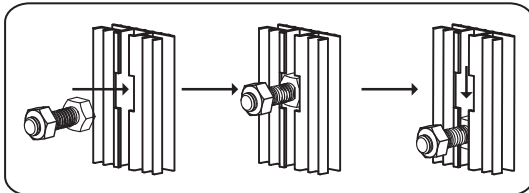
\* If you are using the Back Door Transformation Kit you will skip this section.

STEP THREE



**GRANDIO TIP** Make sure the UV coated side of the panel faces outward as indicated on the panels. Avoid placing the polycarbonate panels in the sun or near plants until fully assembled.

**GRANDIO TIP BOLT INSTALLATION TIP:** Locate all nuts and bolts, pre thread and place in the groove of the extrusion to make installation easier. Move up or down for exact placement.



# BACK CONTINUED

## ALWAYS ASSEMBLE BACK HORIZONTAL

**3.1** Prethread all **S05** Screws into the **W01** and **W02**'s, only turn a few times, see **A**.

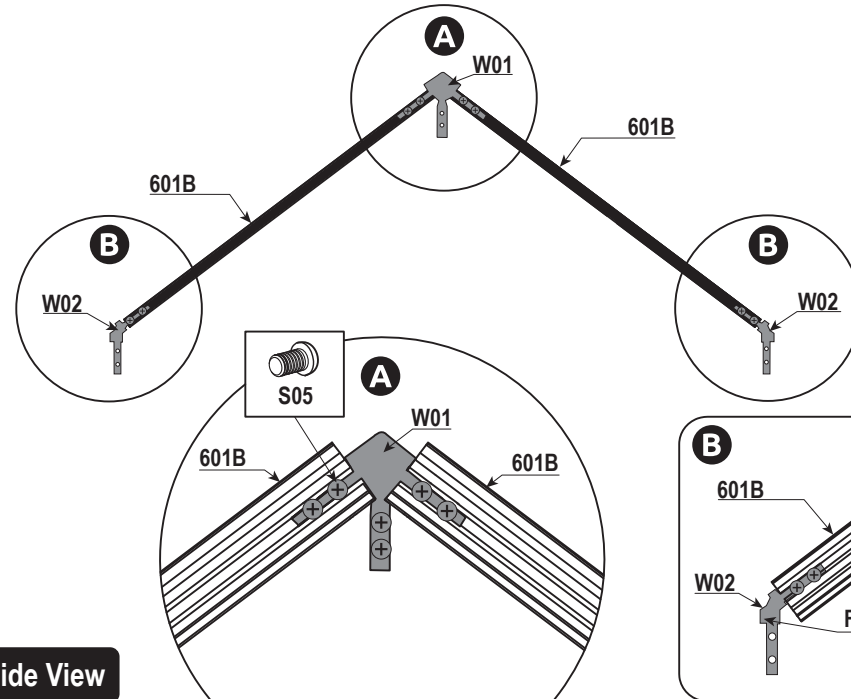
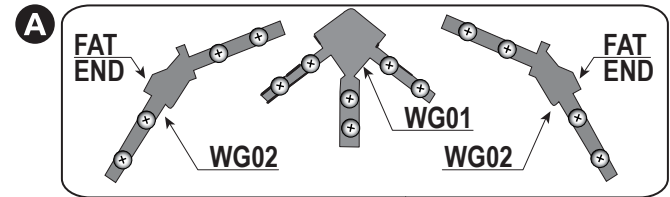
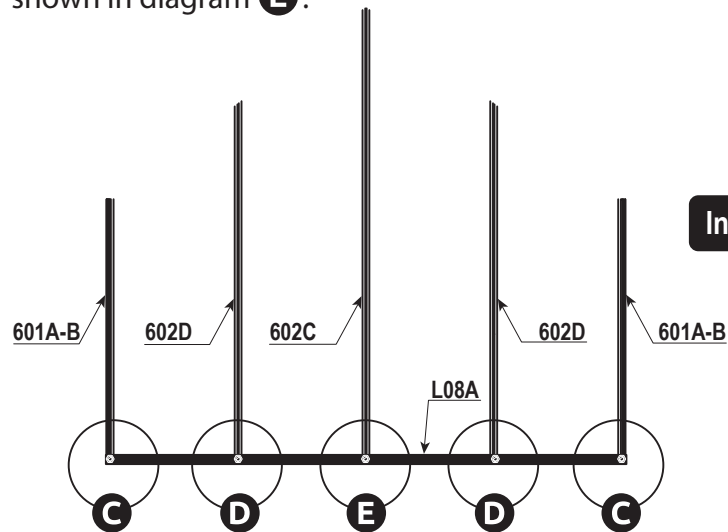
**3.2** Use **W01** bracket to attach the (2) **601B**'s together as shown in diagram **A**.

Attach (2) **W02**'s to the (2) **601B**'s as shown in diagram **B**.

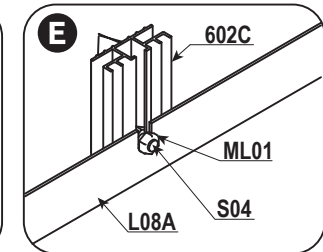
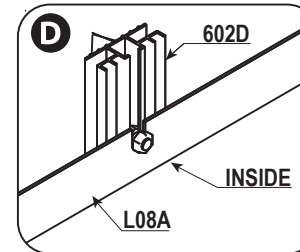
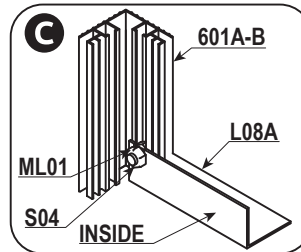
**3.3** Attach (2) **601A-B**'s to **L08A** using **S04/ML01** fastener as shown in diagram **C**.

Attach (2) **602D**'s to **L08A** using **S04/ML01** fasteners as shown in diagram **D**.

Attach **602C** to **L08A** using **S04/ML01** fastener as shown in diagram **E**.



Inside View



STEP THREE

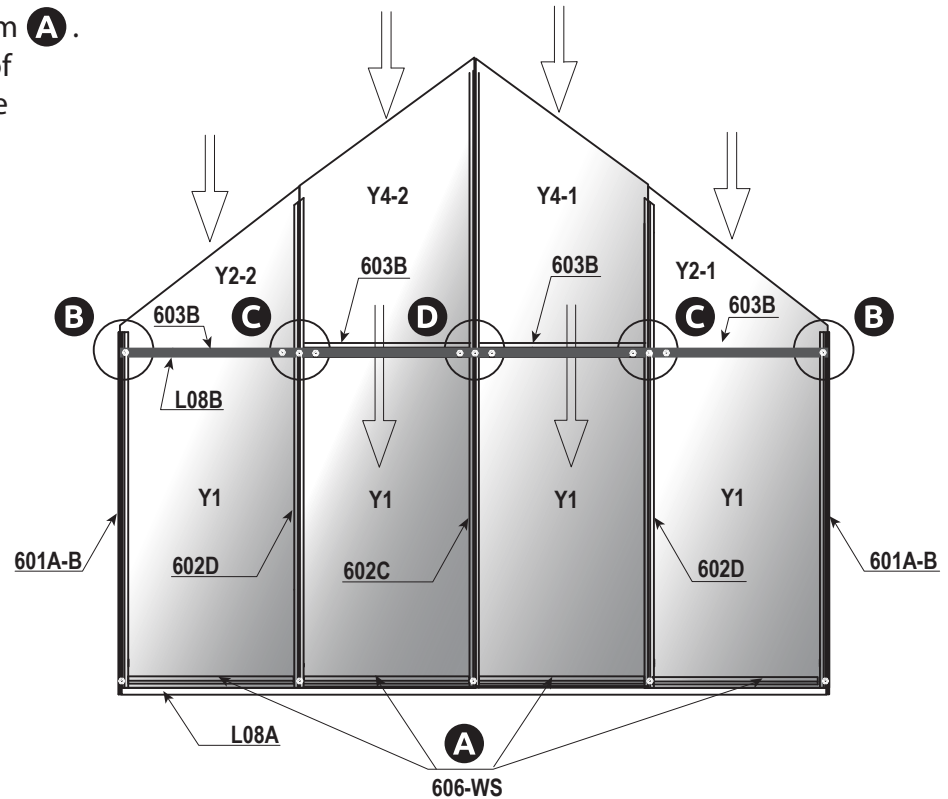
# BACK CONTINUED

## ALWAYS ASSEMBLE BACK HORIZONTAL

**3.4** Attach (4) **606-WS's** to **L08A** as shown in diagram **A**. Insert the **Y1** polycarbonate panels into the grooves of **601A-B's**, **602D's** and **602C**. Make sure **Y1** panels are inserted into **606-WS** as shown in **A**.

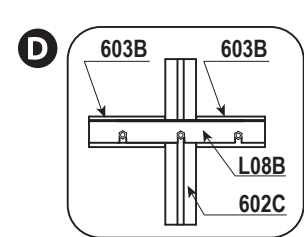
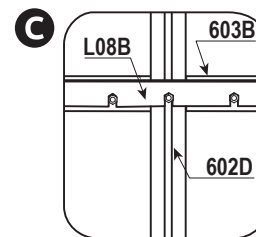
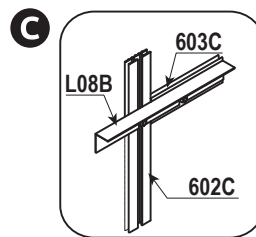
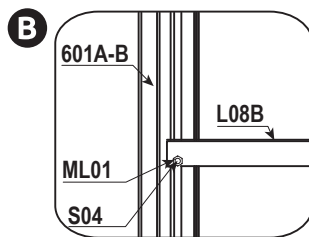
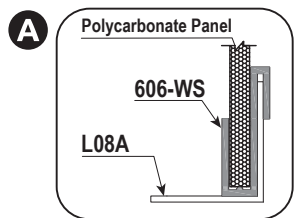
**3.5** Set (4) **603B's** on top of the **Y1's** that are now in place. Attach **L08B** to (2) **601A-B's**, **602D's** and the **602C** with **S04/ML01** fasteners as shown in diagram **B**, **C** and **D**. Pre thread all fasteners into assigned channels and align with **L08B** for ease of installation.

**3.6** Insert the **Y2-1**, **Y2-2**, **Y4-1** and **Y4-2** polycarbonate panels into place as shown in the diagram to the right.



Inside View

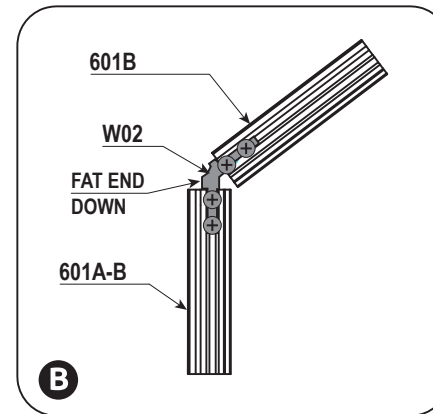
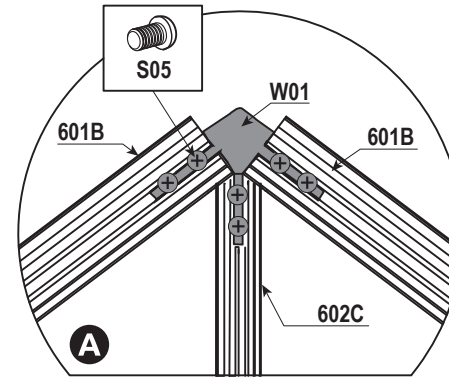
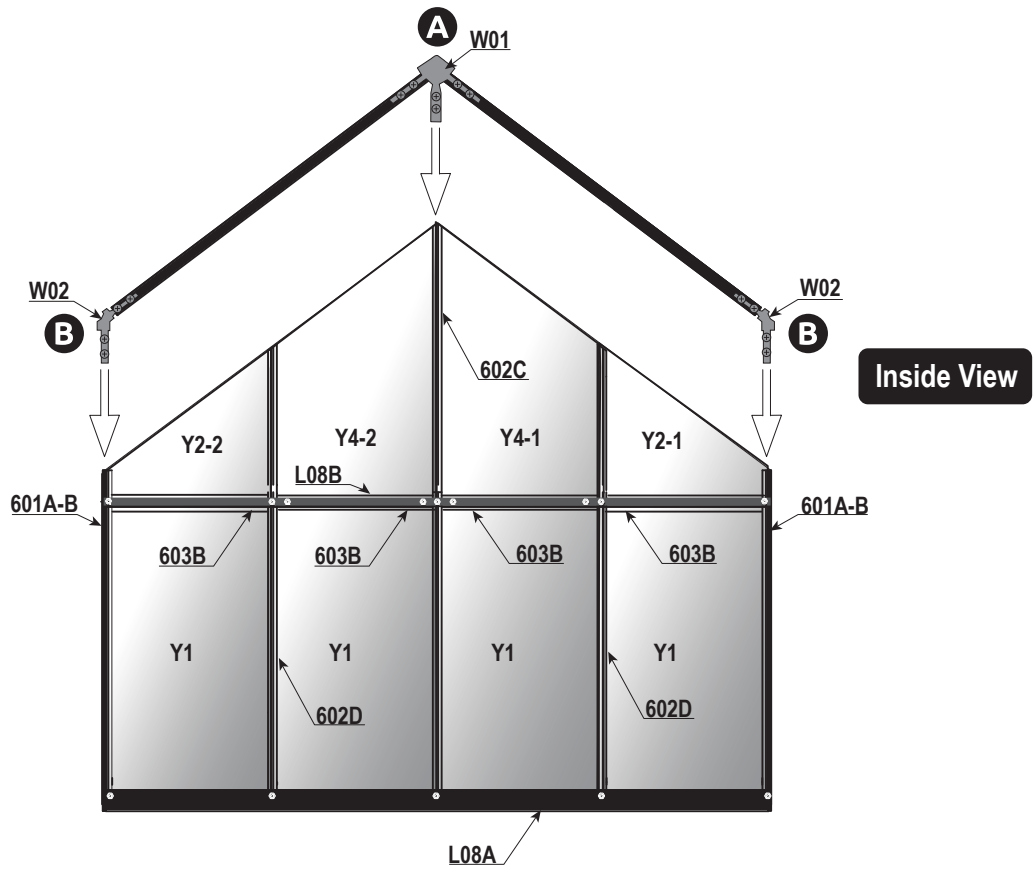
STEP THREE



# BACK CONTINUED

ALWAYS ASSEMBLE BACK HORIZONTAL

**3.7** Attach the roof to the back wall use **W01** fastener to **602C** and the (2) **W02**'s to the (2) **601A-B**'s using the **S05** fasteners as shown in diagram **A** and **B**, pre thread all screws for easiest installation, tighten when flush with frame and square.



STEP THREE

# BACK CONTINUED

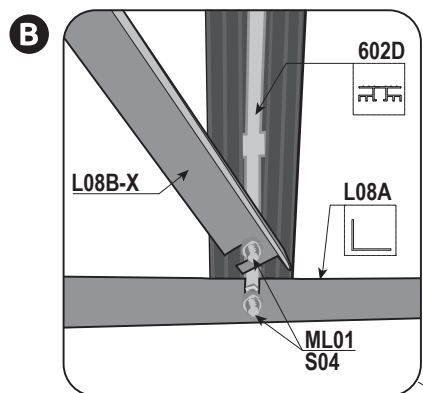
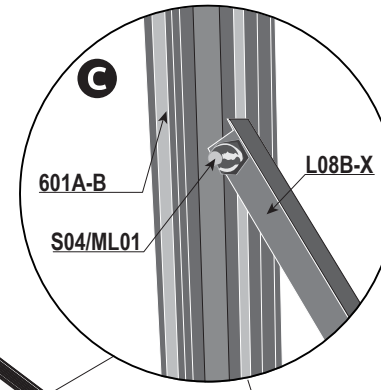
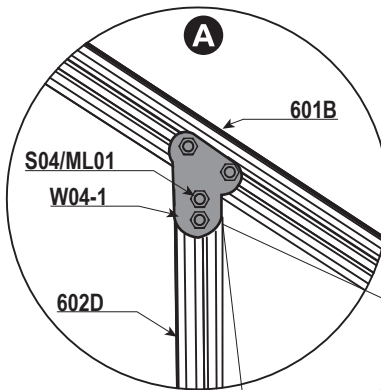
ALWAYS ASSEMBLE BACK HORIZONTAL

## 3.8

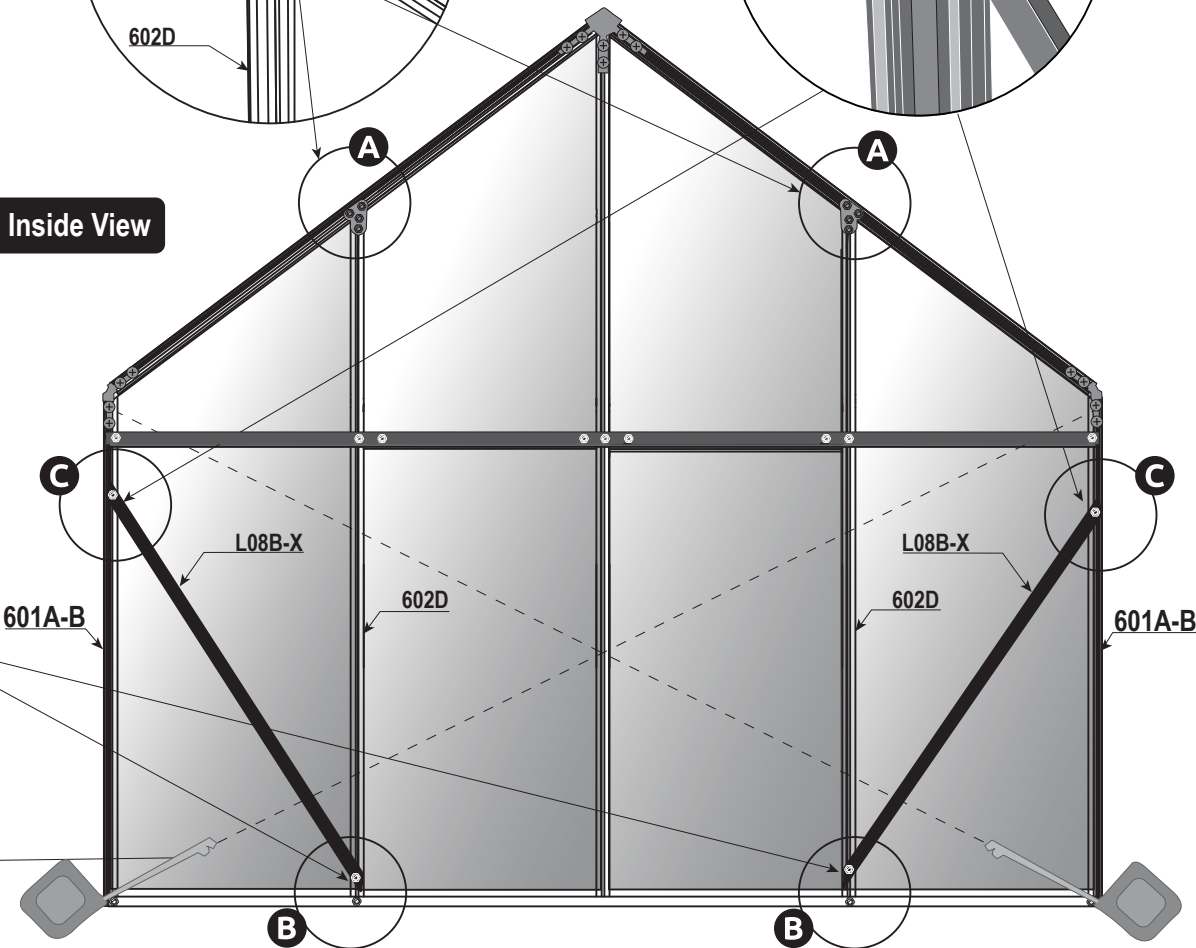
A. Attach the **W04-1** to the **602D** and **601B** with **S04/ML01** fasteners as shown in **A**.

B. Attach (2) **L08B-X**'s to (2) **602D**'s and **L08A** with **S04/ML01** as shown in **B**.

C. Attach (2) **L08B-X**'s to the (2) **601A**'s with fasteners as shown in **C**.



Inside View



STEP THREE



GRANDIO TIP Square by loosening bolts attached to the tops of the **L08B-X**, use measuring tape to make sure corner to corner measures the same.



# MIDDLE ASSEMBLY INSTRUCTIONS

**Warning:** The person(s) holding the front or back sections vertical must continue to do so until the **L08C-X** angle supports are attached securely to the front and base as shown in step 4.5. Failure to hold front vertical will cause the front to fall and damage the base kit, front framing etc. Damage caused by improper installation is not warrantable.

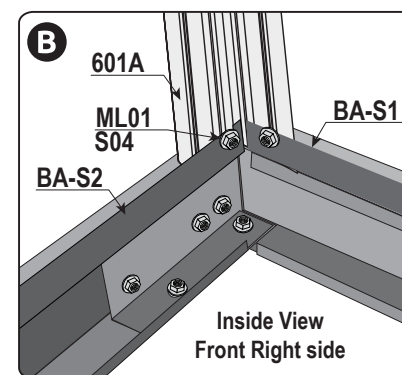
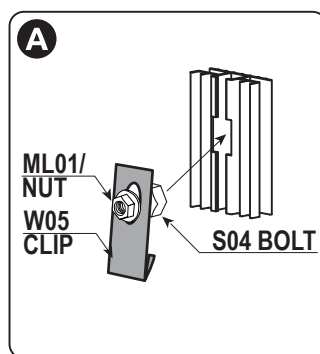
If building a greenhouse with a front and back door you will repeat steps 4.1-4.5 for attaching both front and back walls of the greenhouse.

**4.1** We recommend pre threading all (9) **W05** Clips with the nut and bolt combos now. See **A**, note the bolt head will always slide into the extrusion, **W05** clips will be used in step 4.5.

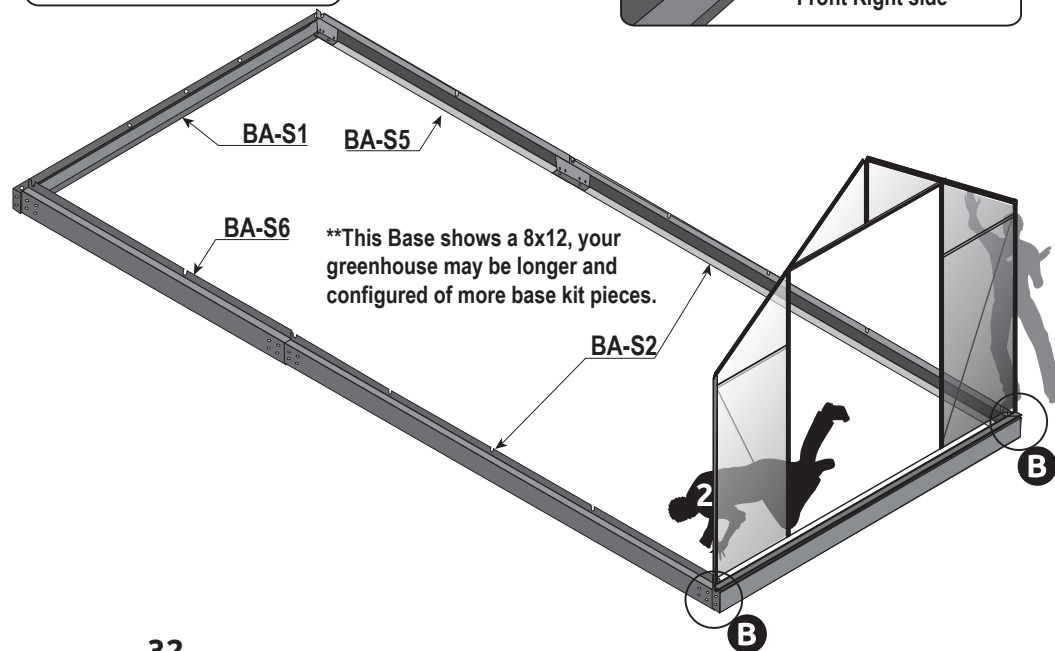
**4.2** With no less than 2 people place the pre assembled front section on top of the base kit front. Have person **(1)** hold the front vertically while the other attaches the front section **601A's** to the base using **S04/ML01** fasteners as shown in **B**. Person **(1)** must continue to hold up the front wall!



You will need a minimum of (2) people to complete the middle assembly of your greenhouse. The more people the merrier at this stage of assembly.



STEP FOUR

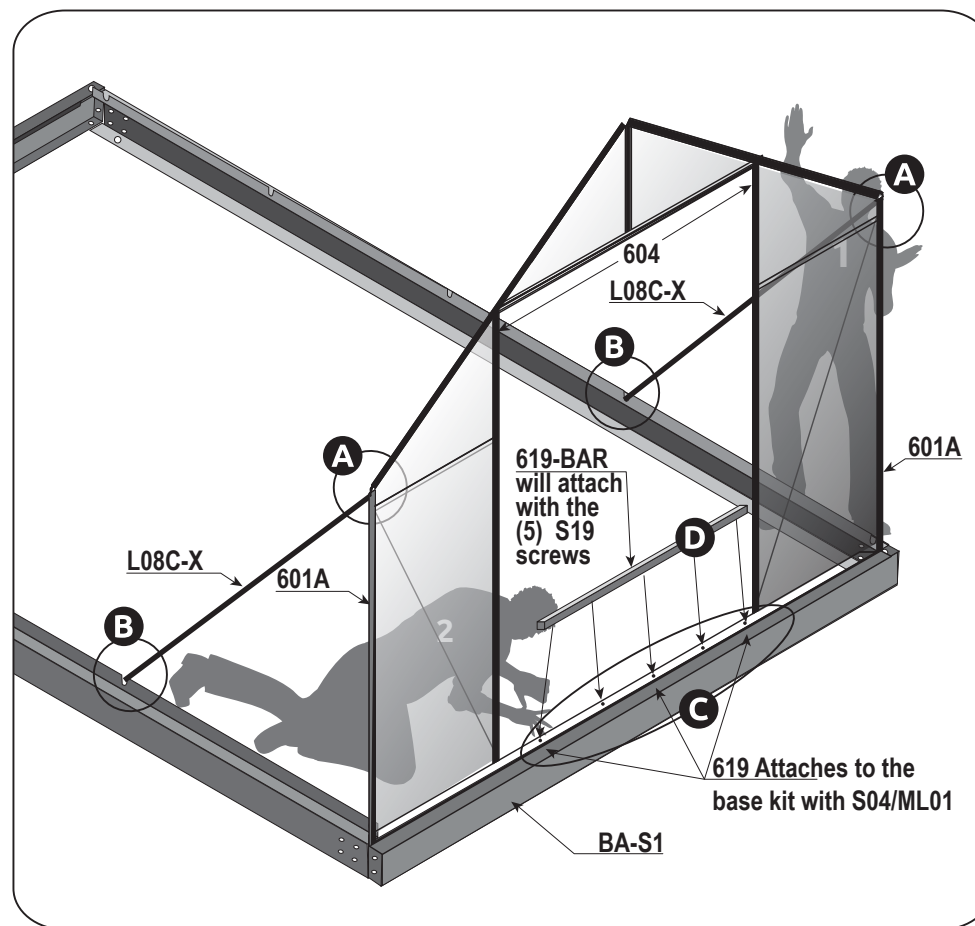
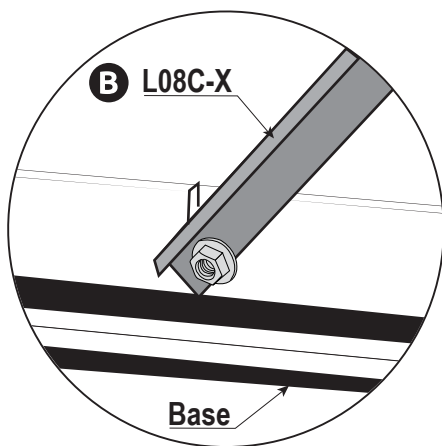
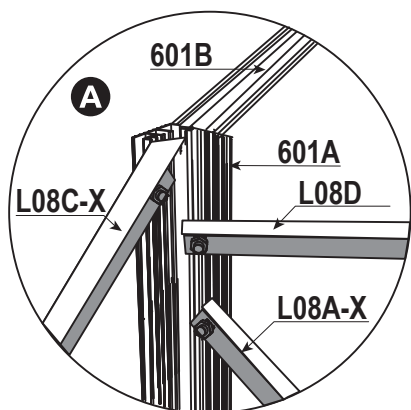


# MIDDLE ASSEMBLY CONTINUED

**4.3** Attach **L08C-X** to **601A** and the **BA-S2** with (3) **S04/ML01** on both sides as shown in **A** and **B** with the nut and bolt combos.

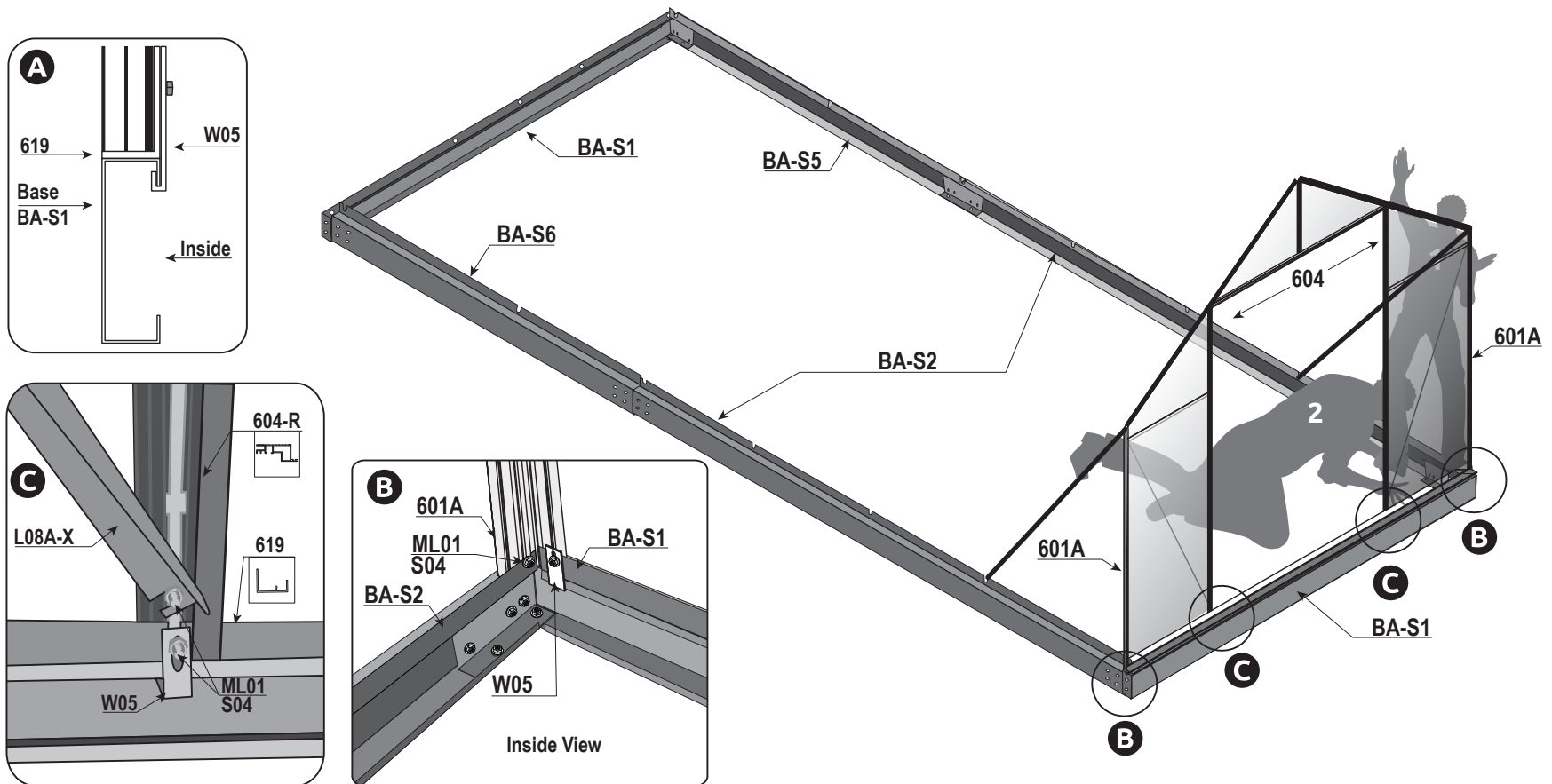
**4.4** Attach the front section **619** to the base using **S04/ML01** fasteners as shown in **C**, then attach the **619-BAR** threshold support to the inside of the **619** with (5) **S19** self tapping screws included in the package, see **D**.

STEP FOUR



# MIDDLE ASSEMBLY CONTINUED

**4.5** Have one person hold the front vertically while the other attaches the front section to the base with **W05/S04/ML01** fasteners as shown in **A**, **B** and **C**. The (4) **W05** clips will catch the under edge of the front base kit and then slide upward attaching to the bottom of the **601A's** and the **604's**, you will switch out the combo that was originally used to the **W05 Clip**.



# MIDDLE ASSEMBLY CONTINUED

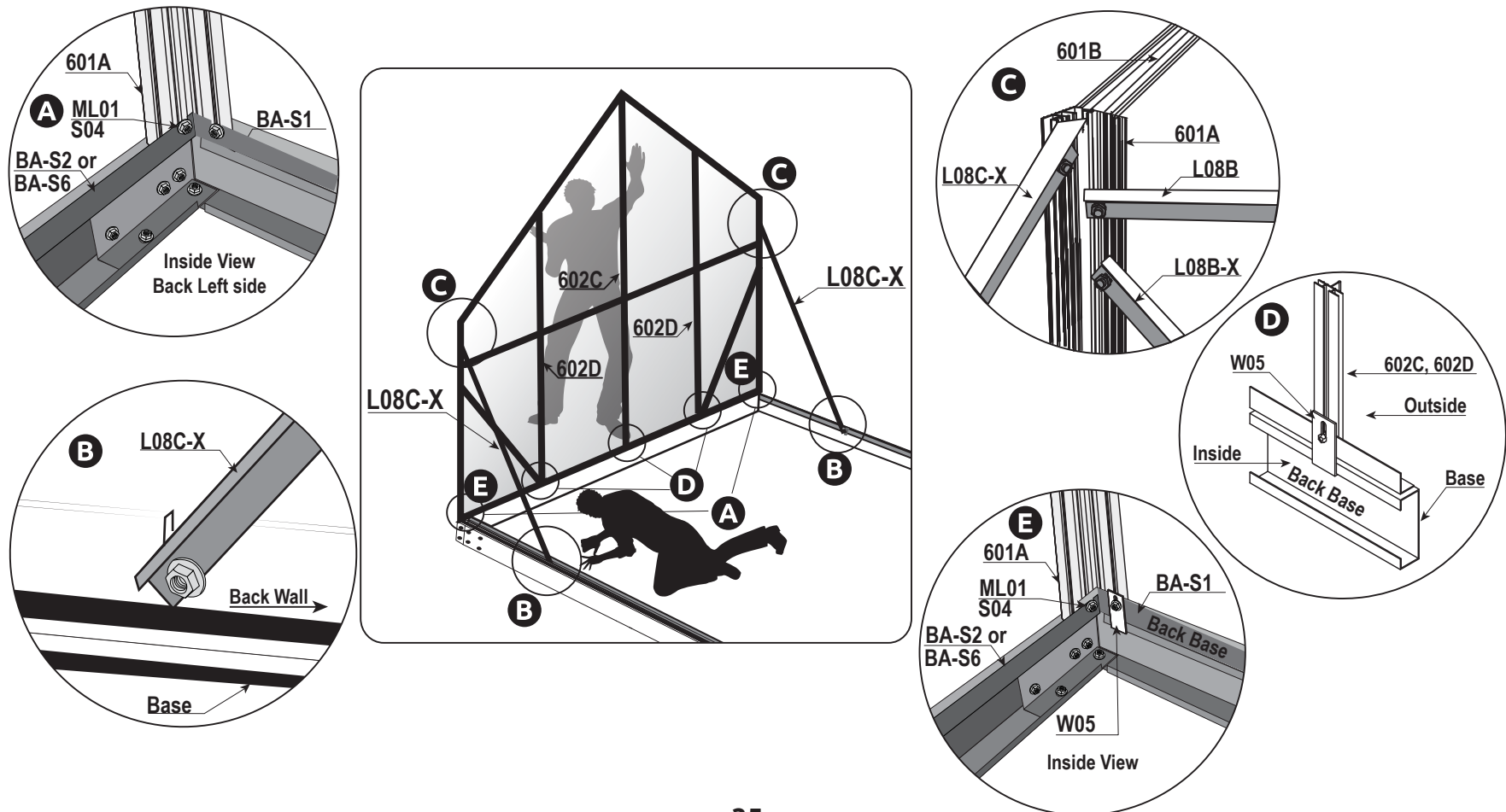
If you are using the Back Door Transformation kit you will repeat steps 4.1-4.5 to install the Back Door Wall, then skip ahead to step 4.9.

**4.6** Attach back wall **601A's** with back base corners using **S04/ML01** on both sides as shown in **(A)**.

**4.7** Attach bottom of **L08C-X** to rear section of base kit with **S04/ML01**, as shown in **(B)**. Attach the **L08C-X** to the **601A** as shown in **(C)**, make sure the **S04/ML01** combos are tight.

**4.8** Use the (5) remaining **W05** clips to attach the backwall where the **601A's** meet the corner of the base as shown in **(D)**, and where **602D's**, and the **602C** meet the **BA-S1B** see **(D)**. Then use **W05 Clip** combos to attach the corner **601A's** to the base kit as shown in **(E)**, you will have to switch out the combo that was originally used to the **W05 Clip**.

## STEP FOUR



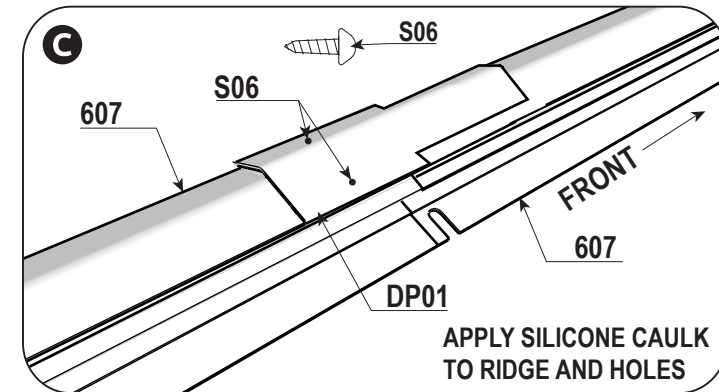
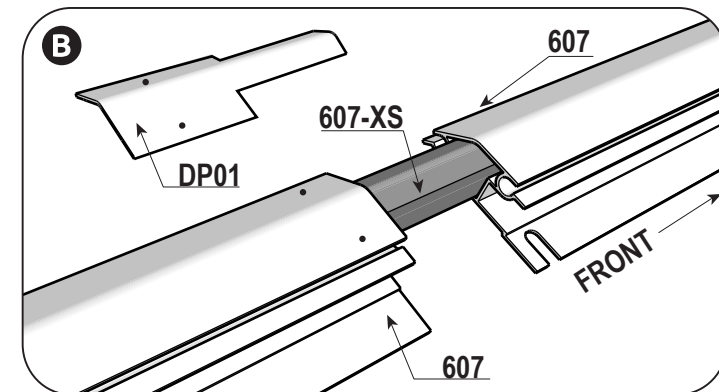
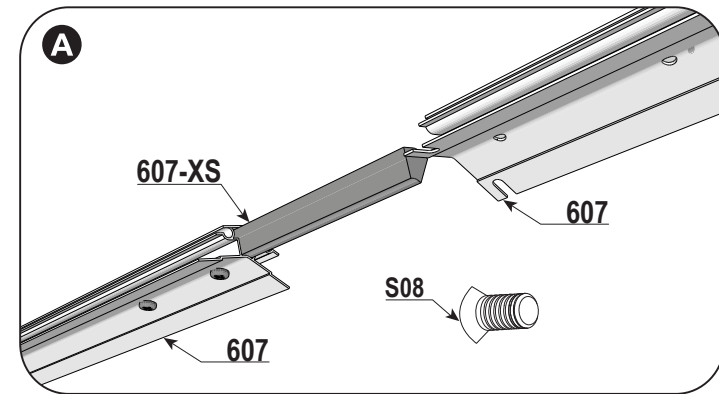
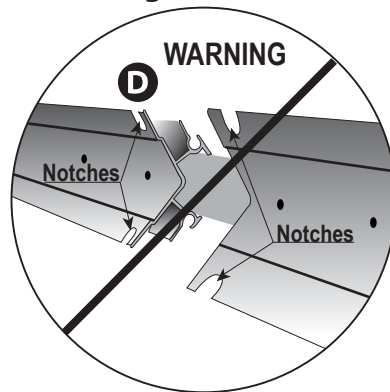
# MIDDLE ASSEMBLY CONTINUED

**4.9** Attach the **607** to **607 extension** with the **607-XS** and the (4) **S08** screws provided see **A**, **B**. The **S08** screws are to be installed on the inside as shown in diagram **A**. Wait to tighten the screws all at one time when both sections are aligned correctly, apply even pressure while tightening.

**4.10** Apply a bead of silicone to the seam where the **607**'s meet and to the holes where the **S06** screws will attach the **DP01** to the **607** ridge. See **C**. Immediately align the **DP01** apply a small amount of silicone to the holes on the exterior of **DP01** then insert the **S06** screws.

## For 8x20 and 8x24 Grandio Ascent Assembly

Repeat these steps if you are building an 8x20 or 8x24 with your last extension box, note it is best to connect 8x8, then 8X, then an 4X if assembling an 8x20. Note that the notches shown in **D** should be spaced every 2 feet, none should be right next to each other.

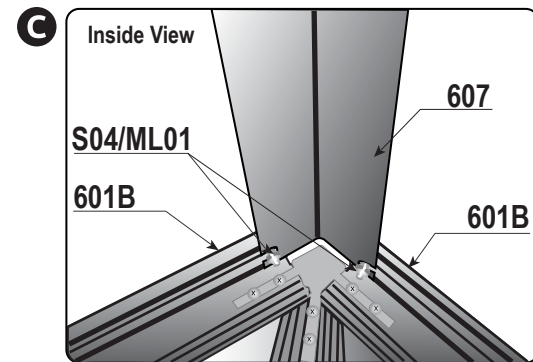
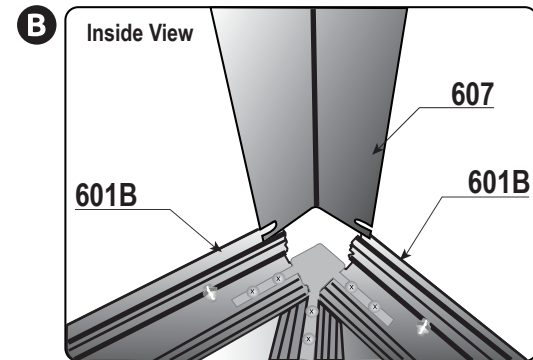
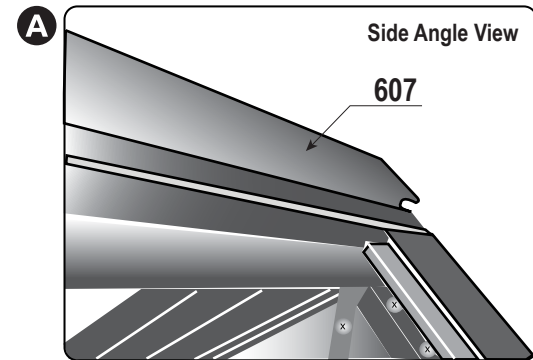
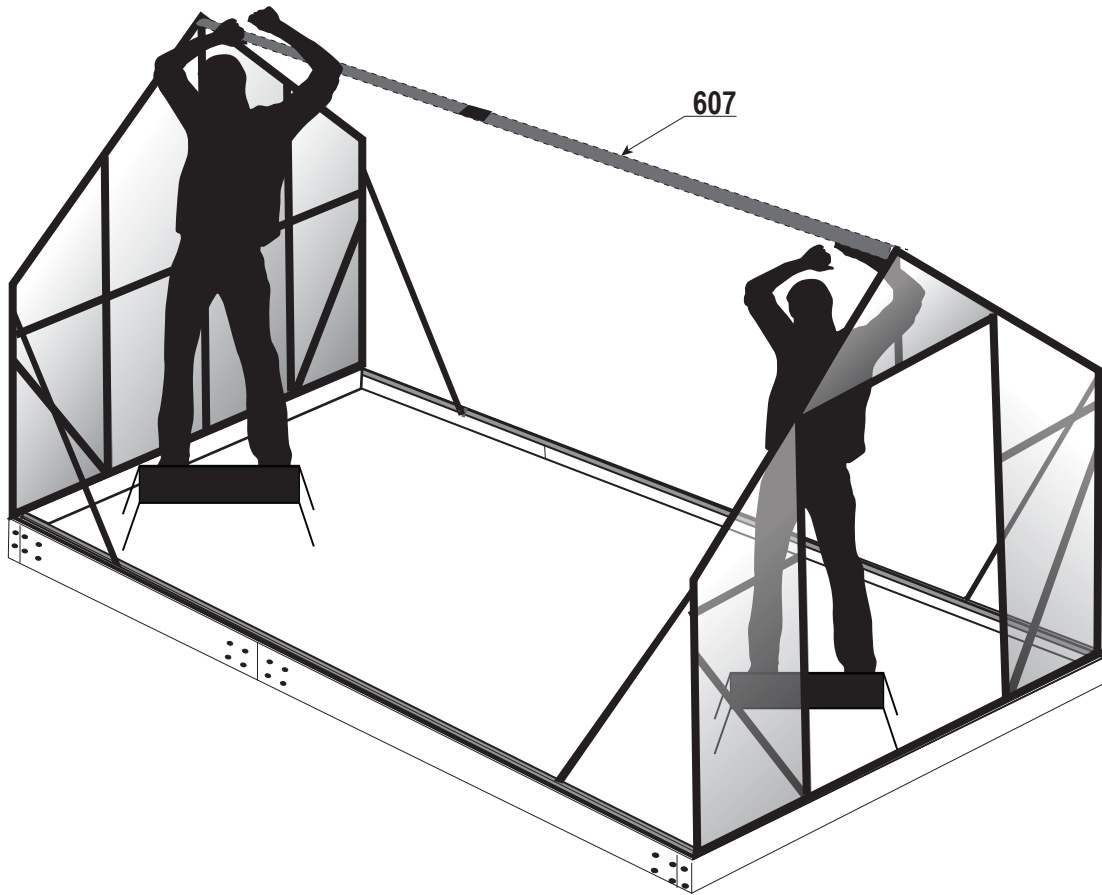


STEP FOUR

# MIDDLE ASSEMBLY CONTINUED

**4.11** With 2 people, attach the ridge to front and back by sliding into place as shown in **A** and **B**, using **S04/ML01** fasteners attach the **607** to the **601B**'s. See **C** for how the final orientation should be.


STEP FOUR



# EXTENSION ASSEMBLY INSTRUCTIONS

**Warning:** You will need a minimum of 2 people to complete this section, you will not be able to stop assembly until page 44. Note that if you are assembling an 8x20 or an 8x24 greenhouse you will proceed thru the 2nd extension assembly instructions. Damage caused by improper installation is not warrantable. It will be helpful to prepare and lay each section and necessary parts out prior to beginning this sections actual assembly, pre reading will make this section much easier.

**Warning:** This section will take about 30 minutes to complete. Be prepared to finish as there is not a stopping point until page 44 for an 8x12 or 8x16 or page 50 for an 8x20 or 8x24, depending on your greenhouse configuration. Note it may be helpful to have a few more people at this point the more the merrier.

 **GRANDIO TIP** **BOLT INSTALLATION TIP:** Locate about 30 nuts and bolts and pre thread for easiest installation.

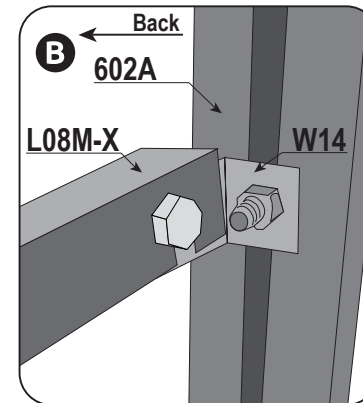
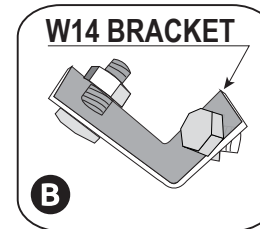
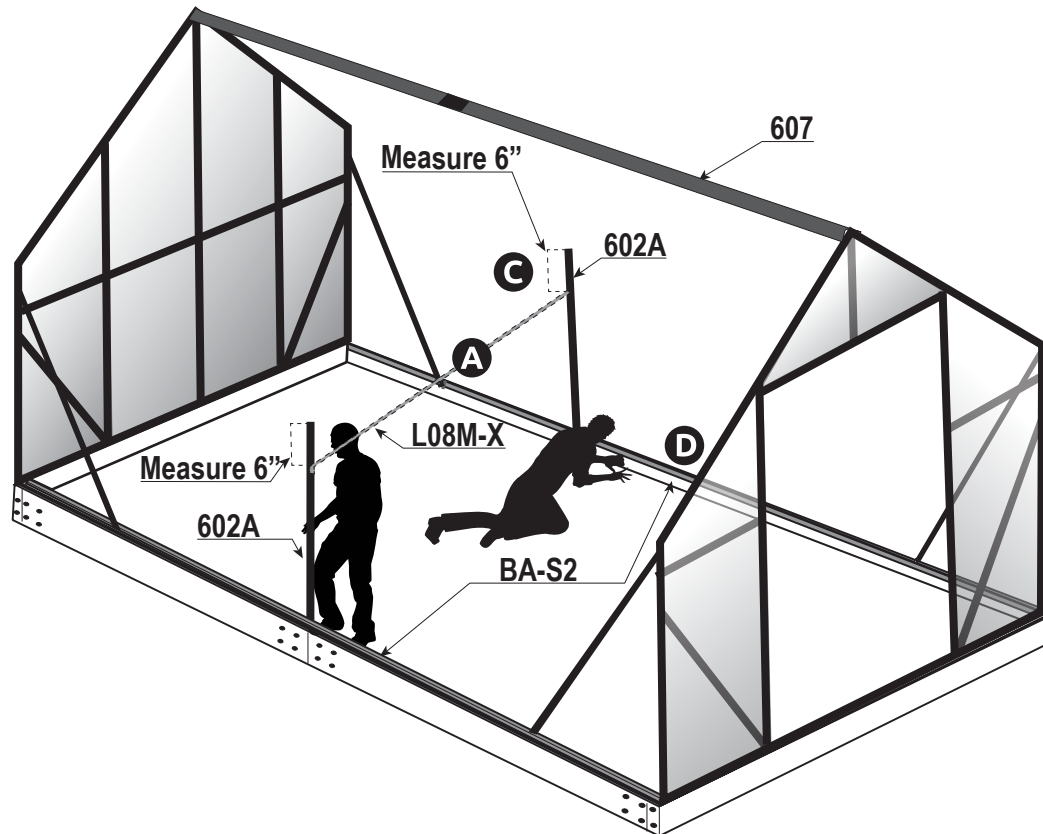
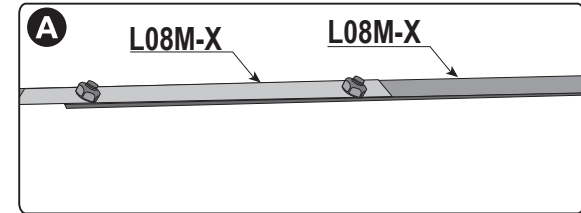
# EXTENSION ASSEMBLY INSTRUCTIONS

STEP FIVE

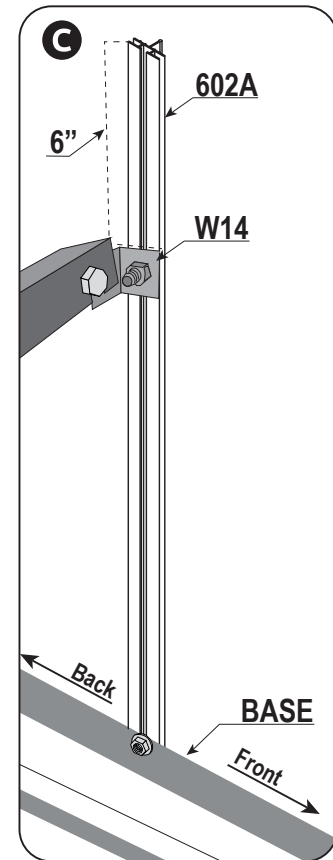
**5.1** Connect the (2) braces labeled **L08M-X** together with the nut and bolt combo **S04/ML01** see **(A)**. The combined **L08M-X**'s should measure about **94 1/2"** when connected together.

**5.2** Attach the **602A** to the base with a nut and bolt combo where the extension kit meets on the base kit, with other person holding the **602A** in place. Measure down **6"** from the top of the **602A** to attach the **W14** bracket to the **602A** on both sides with the **S04/ML01**. See **(B)** and **(C)**. Attach the assembled **L08M-X**'s to the **W14** as shown in **(B)** and **(C)**.

**5.3** Have one person keep holding the **602A** and **L08M-X** on one side for support while you prepare for next step on the next page.



IMPORTANT TO HAVE THE L08M-X FACE THE BACK AS SHOWN

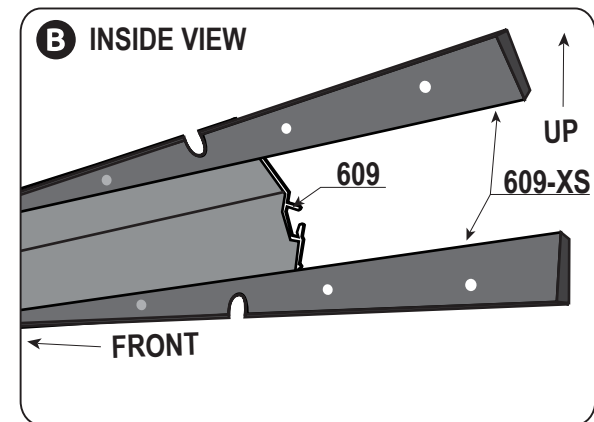
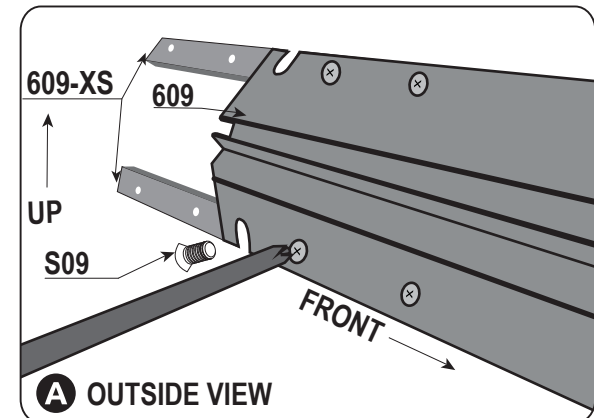
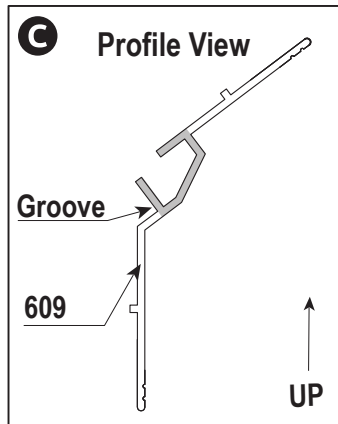




# EXTENSION ASSEMBLY INSTRUCTIONS

**5.4** Attach the **609** to the (2) **609-X's** with (4) of the **S09** screws provided see **A** and **B**. The **S09** screws are to be installed on the outside of the **609** and will tighten into the **609-X** as shown in the diagrams. Repeat with other set, note they will be opposite of each other when assembled.

Pay special attention to the orientation of the **609**, make sure the correct side faces down, see **C**.



STEP FIVE

# EXTENSION ASSEMBLY INSTRUCTIONS

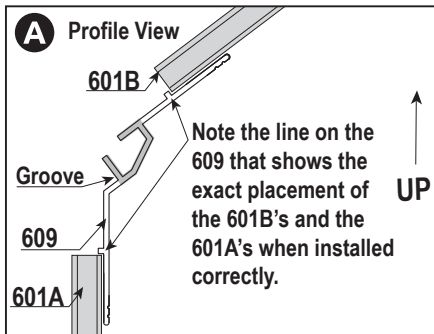
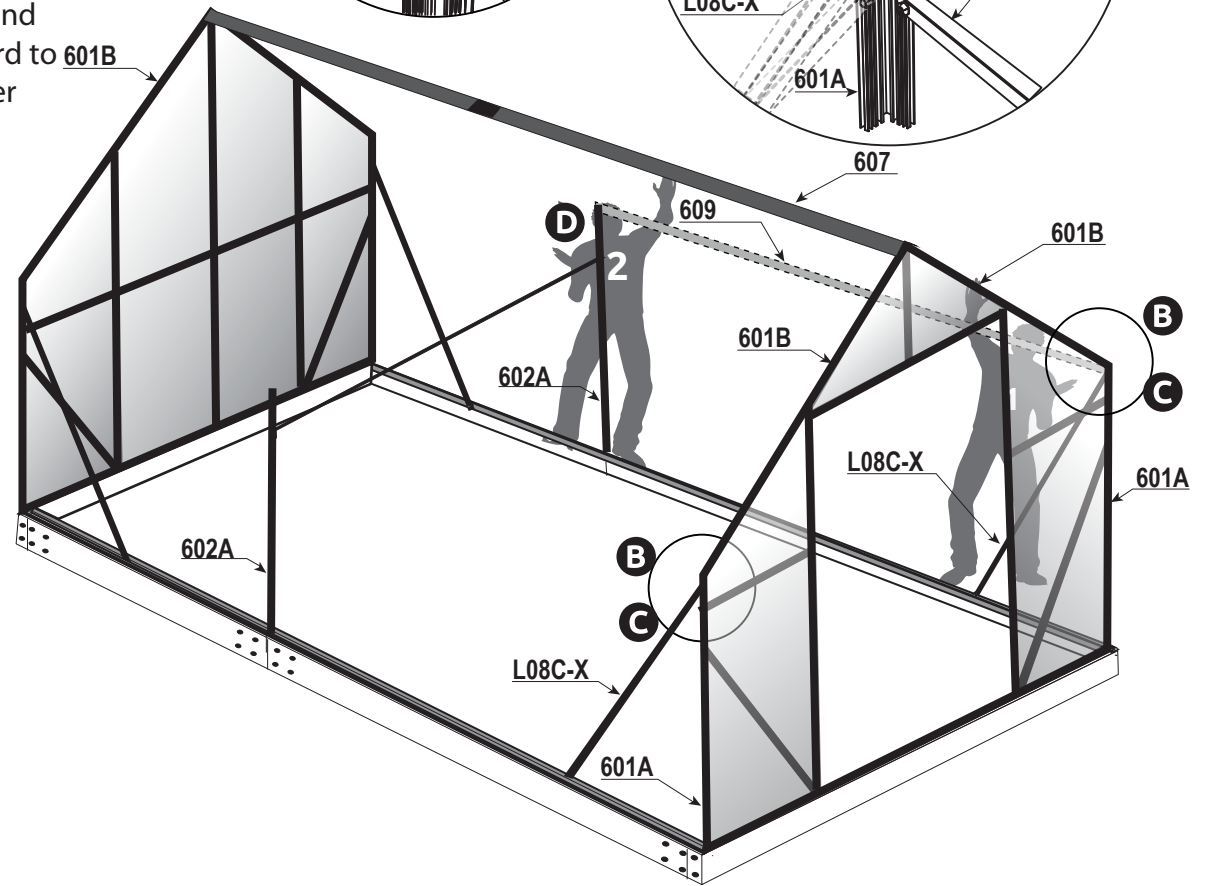
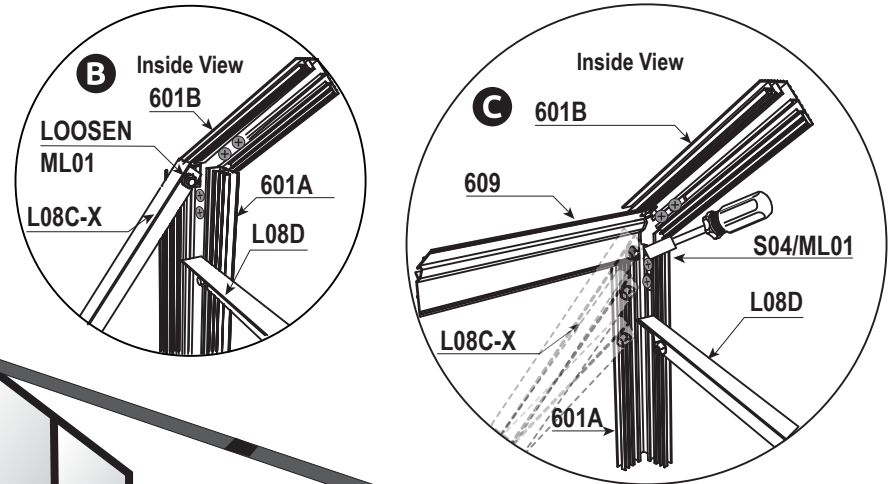
**STEP FIVE**

**5.5** With 2 people proceed to install 609 in this order, note that 609 must be installed with groove side down see **A**.

**1.** With one person holding the **609** level and in position have the other person loosen the top of the **L08C-X** and let it fall free, attach the **609** to the **601B** using **S04/ML01** (nut and bolt). See **B** and **C**.

**2.** Now move the loosened **S04/ML01** (nut and bolt) currently attached to the **L08C-X** upward to **601B** secure the **609**, **601A-F** and **L08C-X** together as shown in **C**.

**3.** Have assistant keep holding at the middle section **D**. Turn to next page for detailed installation.



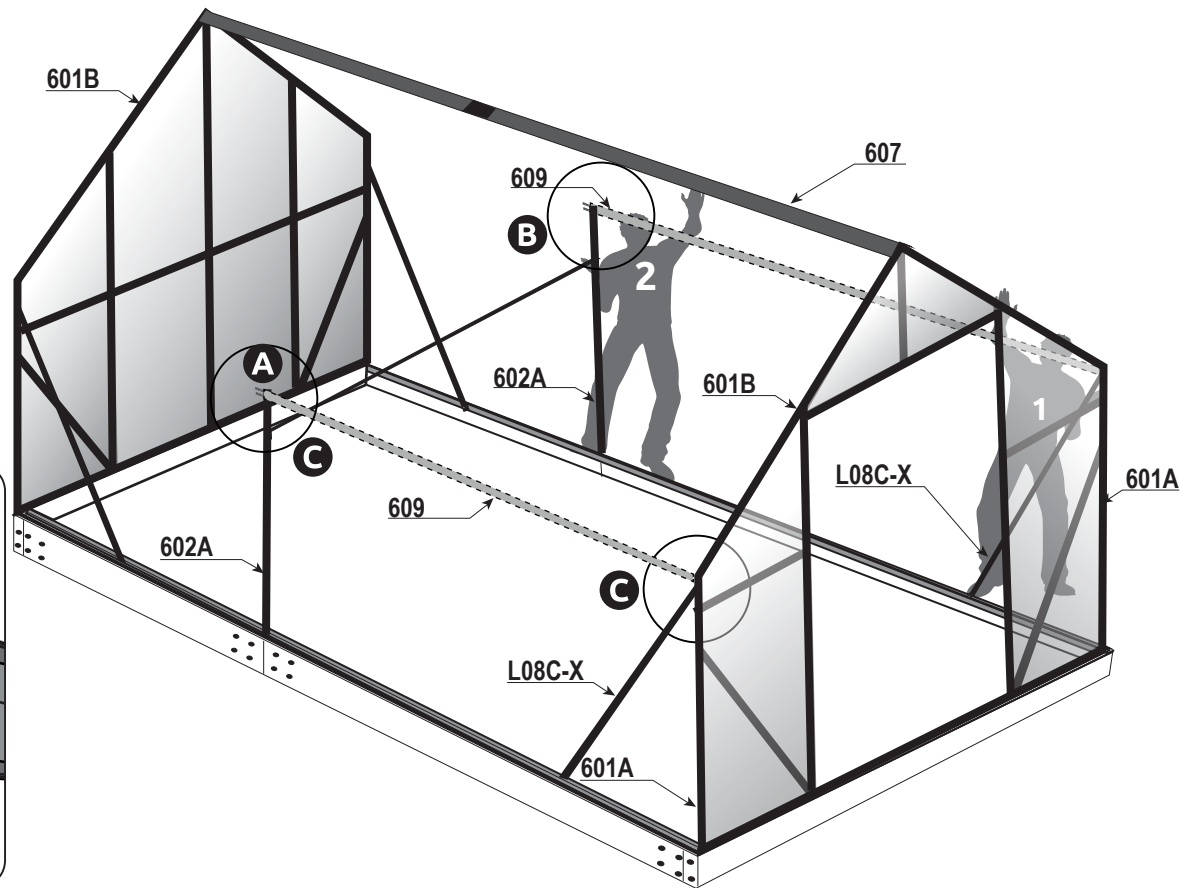
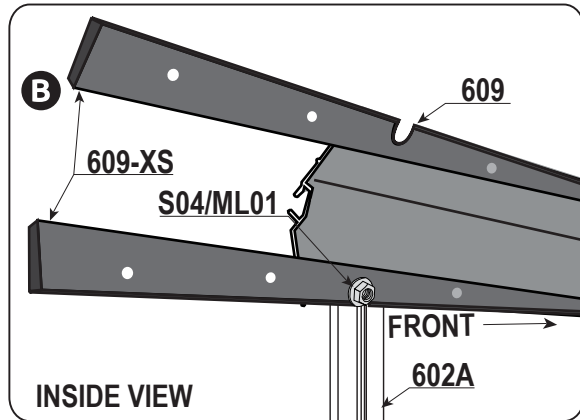
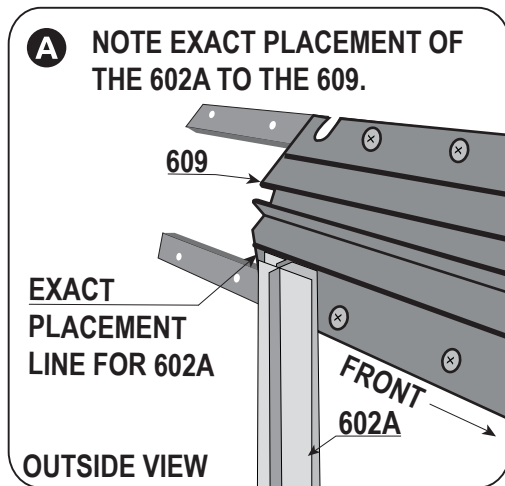
You will need a minimum of (2) people to complete the middle assembly of your greenhouse. The more people the merrier at this stage of assembly.

# EXTENSION ASSEMBLY INSTRUCTIONS

4. Note the top of 602A should touch the line on the 609 for exact placement, see **A**. Attach the 609 to the 602A with the S04/ML01 nut and bolt combos see diagram **B**.

5. Repeat steps 1-4 on the other side see **C**.

STEP FIVE

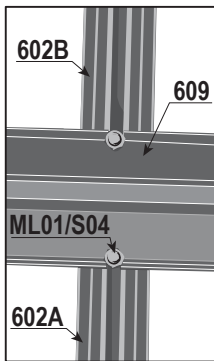


# EXTENSION ASSEMBLY INSTRUCTIONS

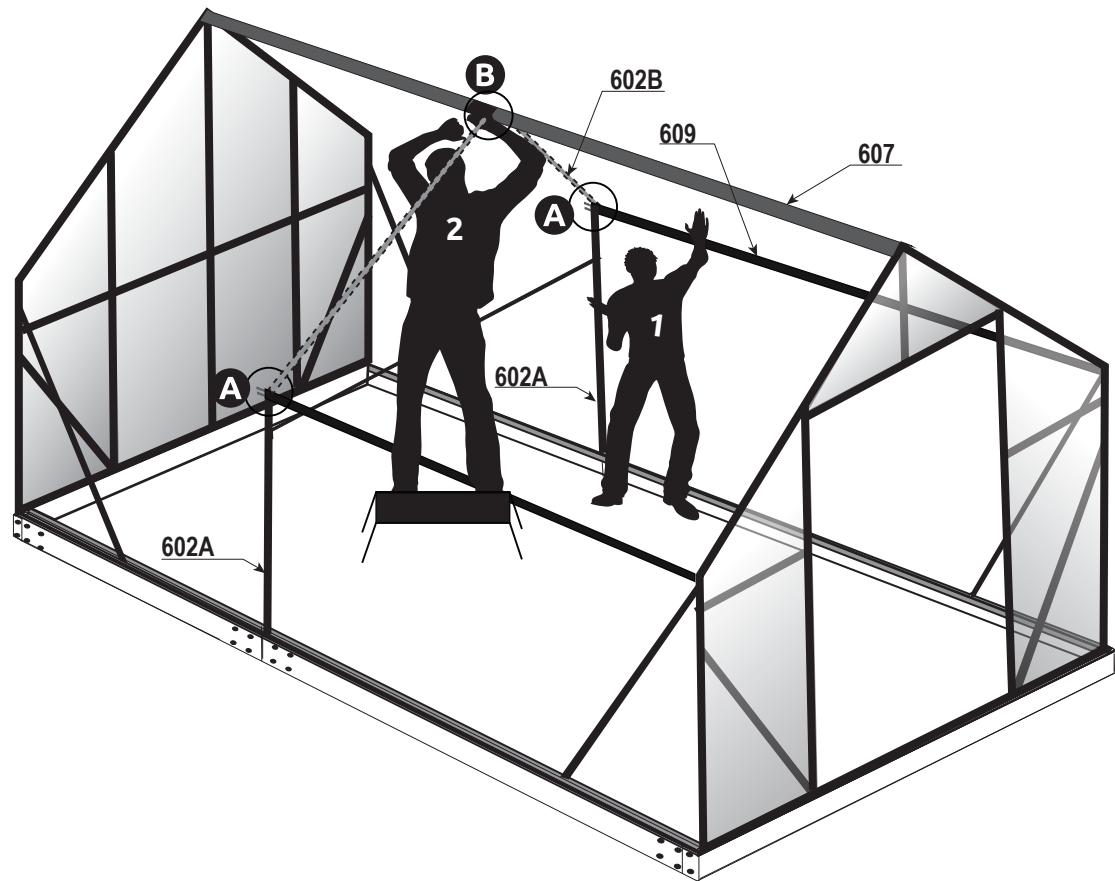
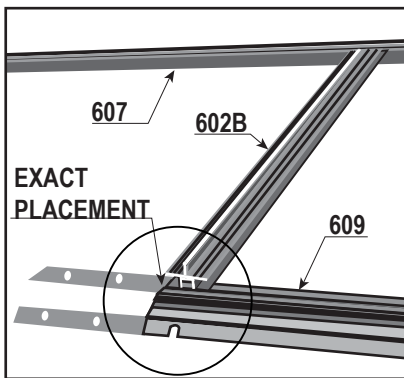
**5.6** With person 1 holding the **609** steady person 2 will attach the **602B's** between the **609** and **607** on both sides. See **A** and **B**.

STEP FIVE

**A** Inside View



**B** Outside View



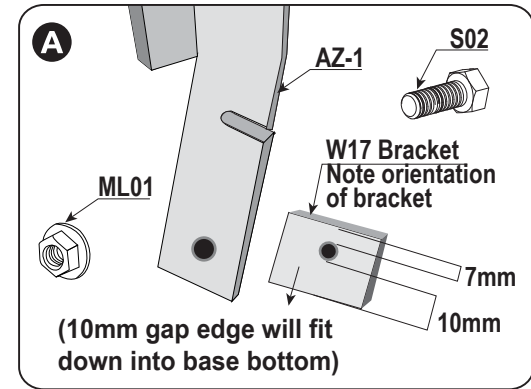
# EXTENSION ASSEMBLY INSTRUCTIONS

**5.7** Connect the **AZ-1** with the **W17** and included hardware, see **A**. With two people attach the **AZ-1** to the base and the lower **602A**, see **B**. Then attach the upper end to the mid roof line see **C**. Install on both sides of the greenhouse where the extension seams meet using the **S02/ML01** combo.

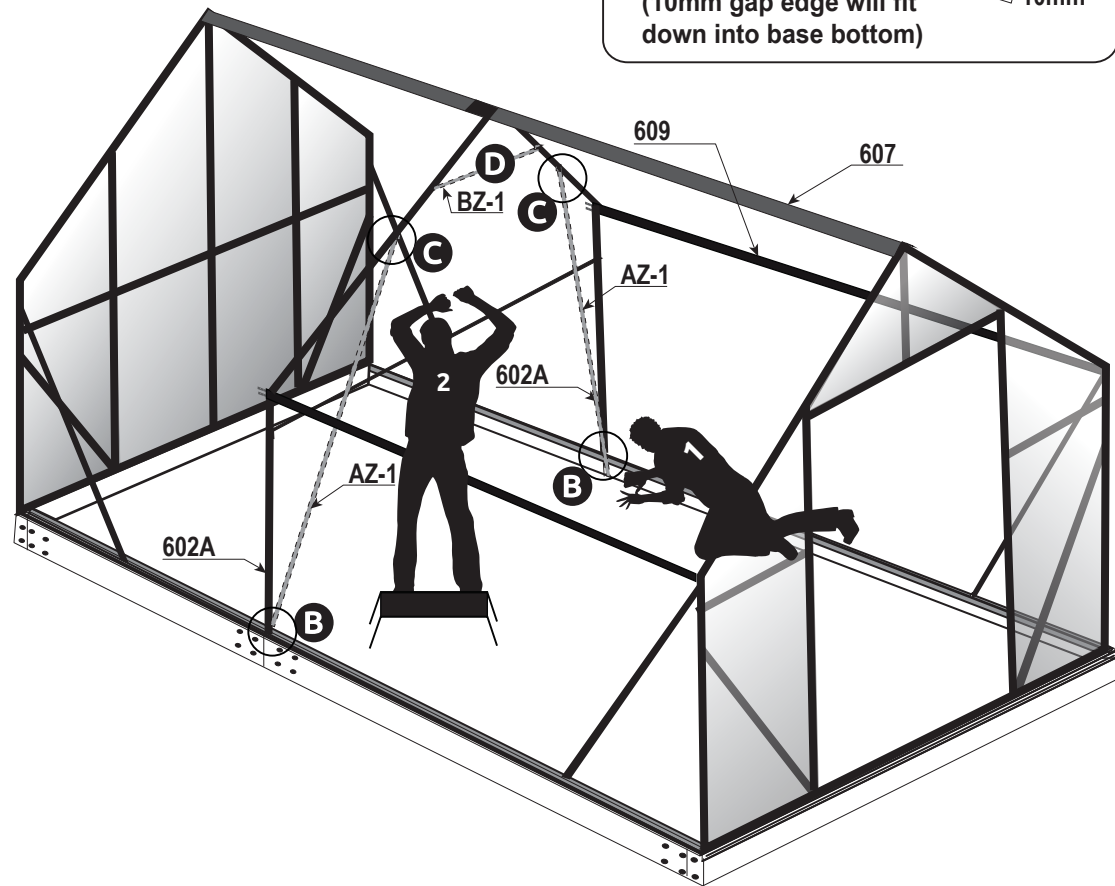
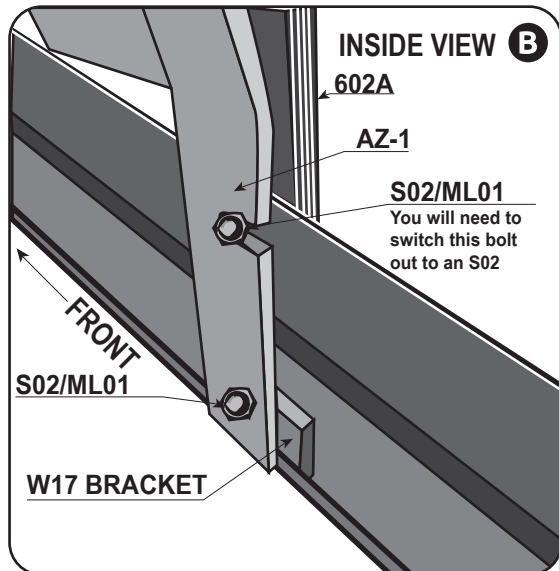
**5.8** Install the **BZ-1** to the upper mid roof, to act as the support to the peak of the roof as shown between the (2) **602B**'s with **S04/ML01** nut and bolt combos, see **D**.

## AFTER COMPLETING STEP 5.9

IF YOUR GREENHOUSE IS AN 8X12 OR 8X16 SKIP TO PAGE 51. IF YOURS IS AN 8X20 OR 8X24 PROCEED ON TO THE NEXT PAGE.



STEP FIVE



# 2nd EXTENSION ASSEMBLY INSTRUCTIONS

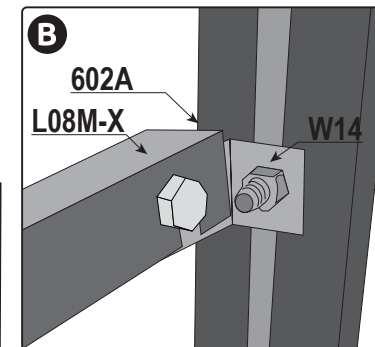
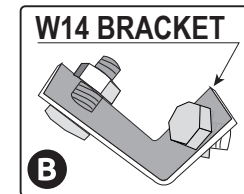
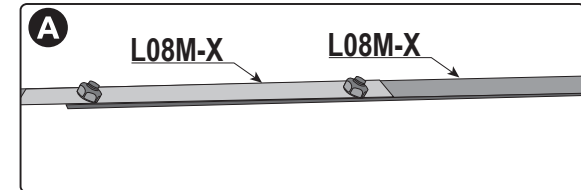
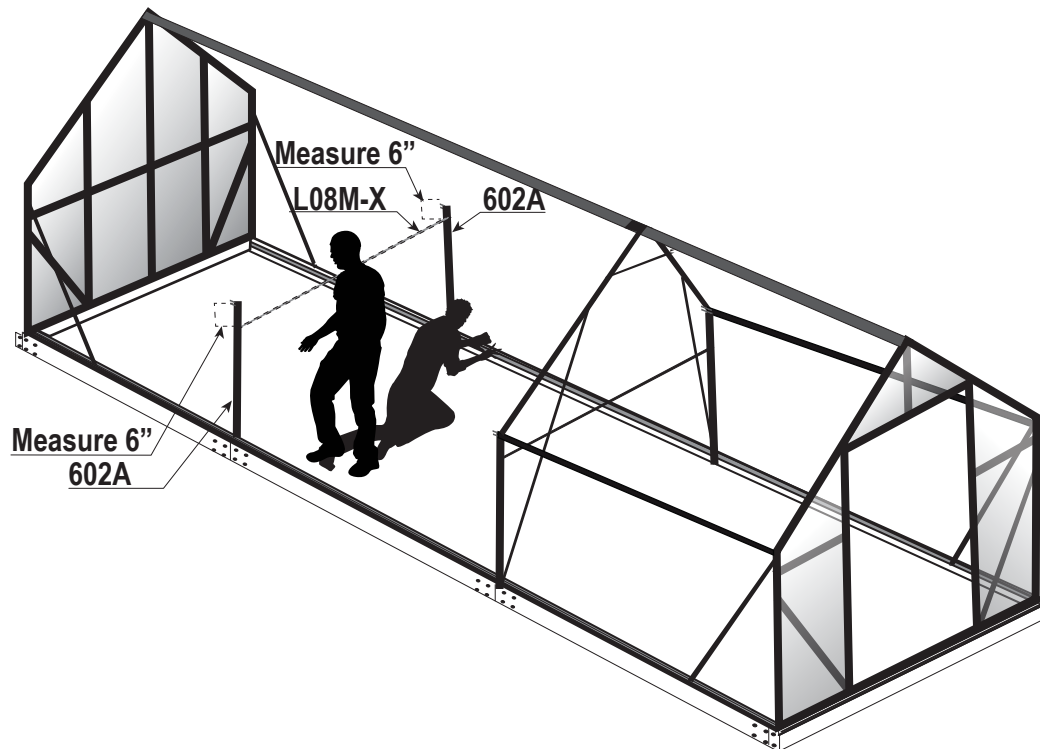
CONTINUE FOR 8X20 AND 8X24 ONLY / FOR 8X12 AND 8X16 SKIP AHEAD TO PAGE 50 OR STEP 5.17

## STEP FIVE

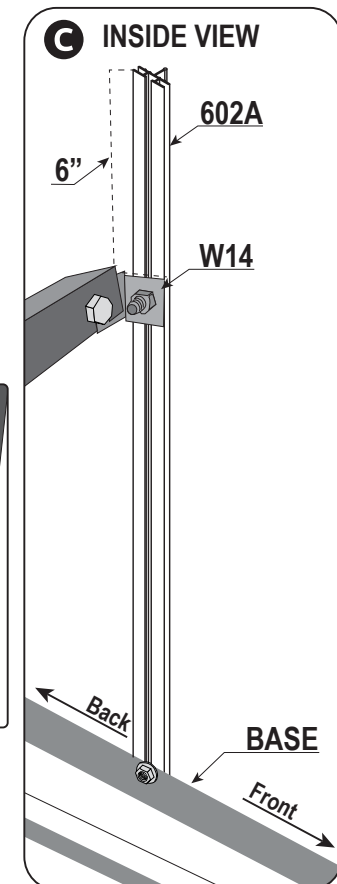
**5.9** Connect the (2) braces labeled **L08M-X** together with the nut and bolt combo **S04/ML01** see **(A)**. The combined **L08M-X**'s should measure about **94 1/2"** when connected together.

**5.10** Attach the **602A** to the base with a nut and bolt combo. Measure down 6" from the top of the **602A** to attach the **W14** bracket to the **602A** on both sides with the **S04/ML01**. See **(B)** and **(C)**. Attach the assembled **L08M-X**'s to the **W14** as shown in **(B)** and **(C)**.

**5.11** Have one person keep holding the **602A** and **L08M-X** on one side for support while you prepare for next step on the next page.



IMPORTANT TO HAVE THE L08M-X FACE THE BACK AS SHOWN

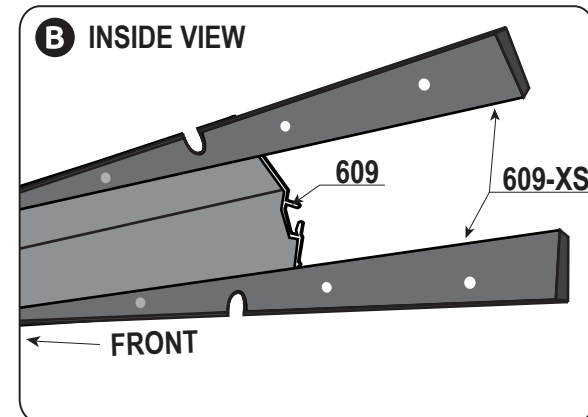
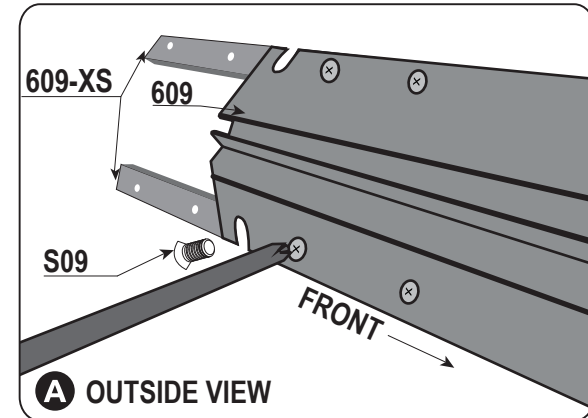
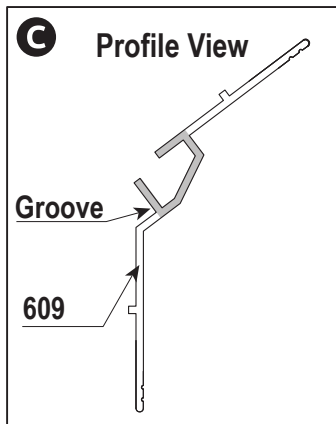


# 2nd EXTENSION ASSEMBLY INSTRUCTIONS

**CONTINUE FOR 8X20 AND 8X24 ONLY / FOR 8X12 AND 8X16 SKIP AHEAD TO PAGE 50 OR STEP 5.17**

**5.12** Attach the **609** to the (2) **609-XS's** with (4) of the **S09** screws provided see **A** and **B**. The **S09** screws are to be installed on the outside of the **609** and will tighten into the **609-XS** as shown in the diagrams. Repeat with other set, note they will be opposite of each other when assembled.

Pay special attention to the orientation of the **609**, make sure the correct side faces down, see **C**.



**STEP FIVE**

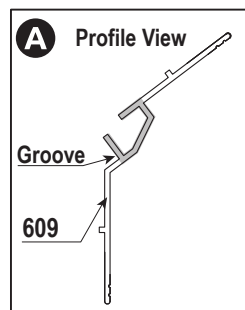
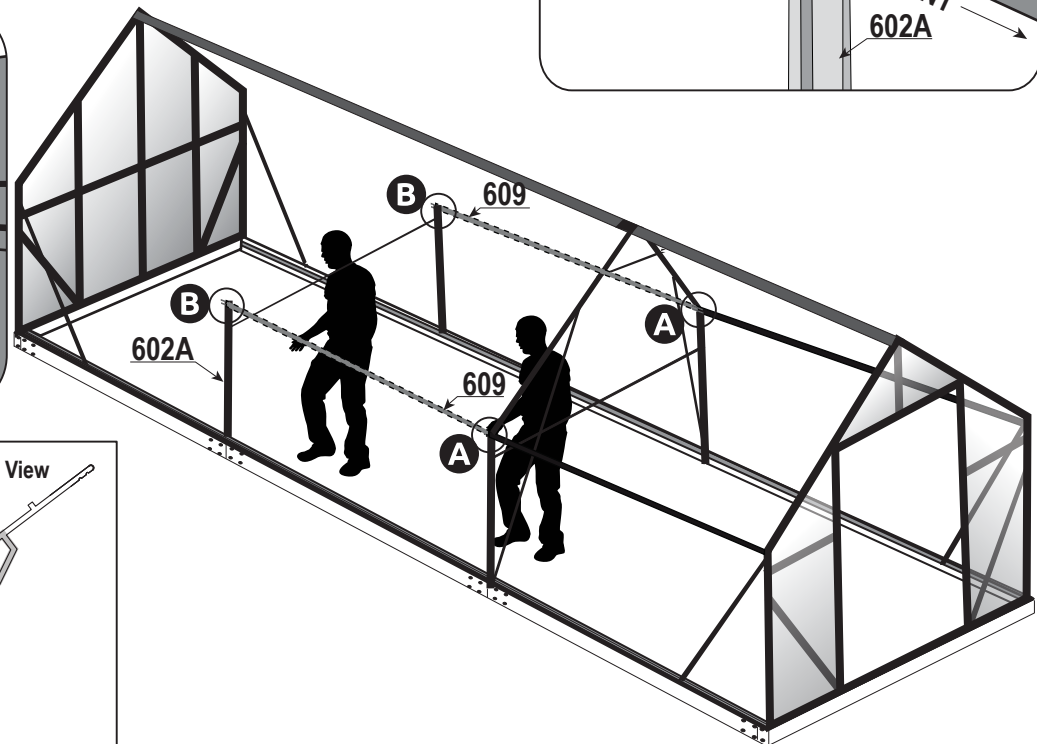
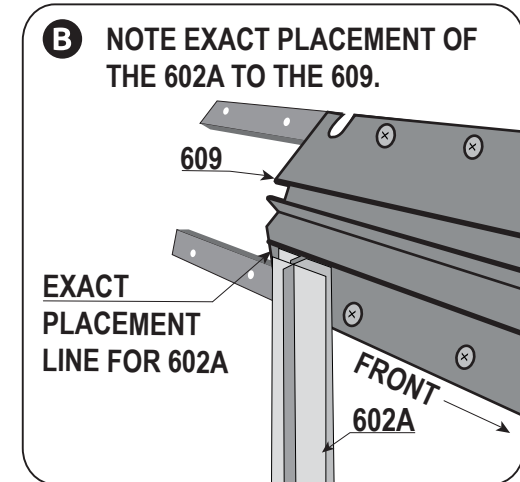
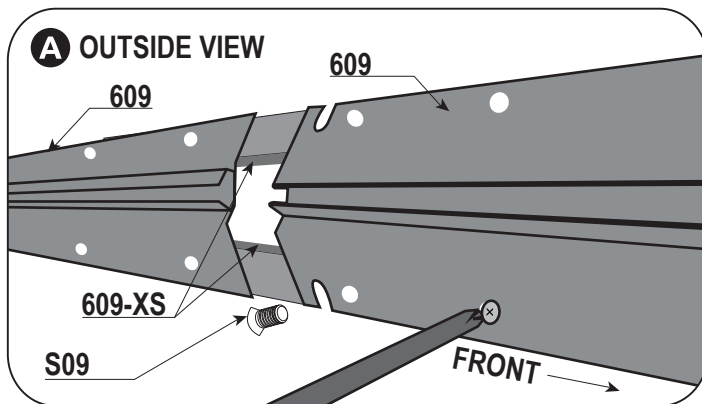
# 2nd EXTENSION ASSEMBLY INSTRUCTIONS

CONTINUE FOR 8X20 AND 8X24 ONLY / FOR 8X12 AND 8X16 SKIP AHEAD TO PAGE 50 OR STEP 5.17

STEP FIVE

## 5.13 With 2 people proceed to install 609 extension at the eave.

1. With one person holding the **609** level and in position have the other person attach the **609** to other end of the **609-XS** as shown in **A**.
2. With one person holding the **609** level and in position have the other person attach the **609** to the **602A** using **S04/ML01**. See **B**.
3. Repeat steps 1. and 2. on other side of the greenhouse.



You will need a minimum of (2) people to complete the middle assembly of your greenhouse. The more people the merrier at this stage of assembly.

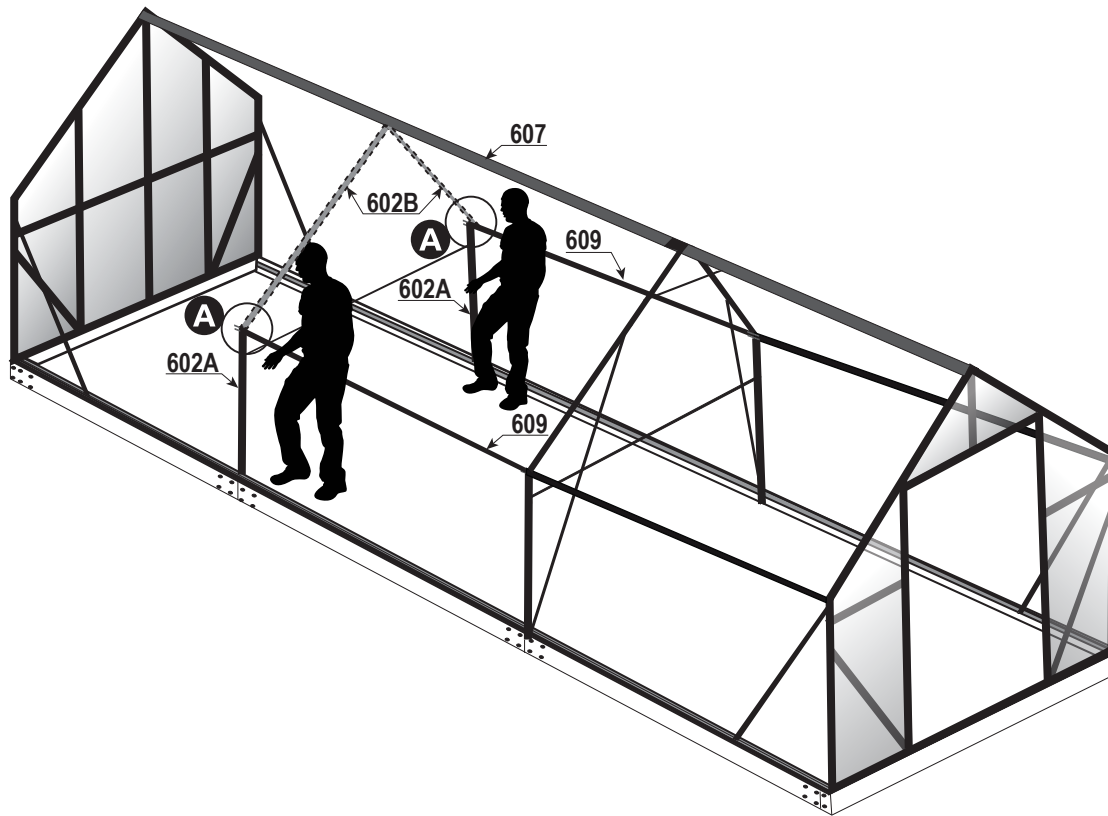


# 2nd EXTENSION ASSEMBLY INSTRUCTIONS

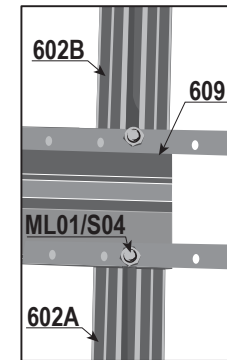
CONTINUE FOR 8X20 AND 8X24 ONLY / FOR 8X12 AND 8X16 SKIP AHEAD TO PAGE 50 OR STEP 5.17

**5.14** Attach the (2) **602B**'s between the **609** and **607** on both sides.  
See **A** and **B**.

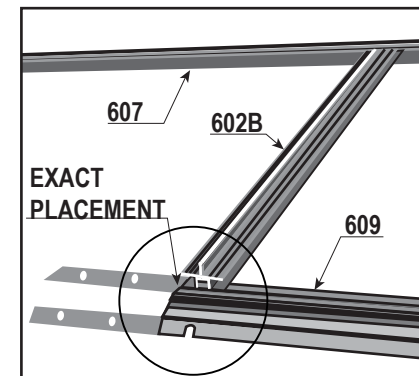
STEP FIVE



**A** Inside View



**B** Outside View



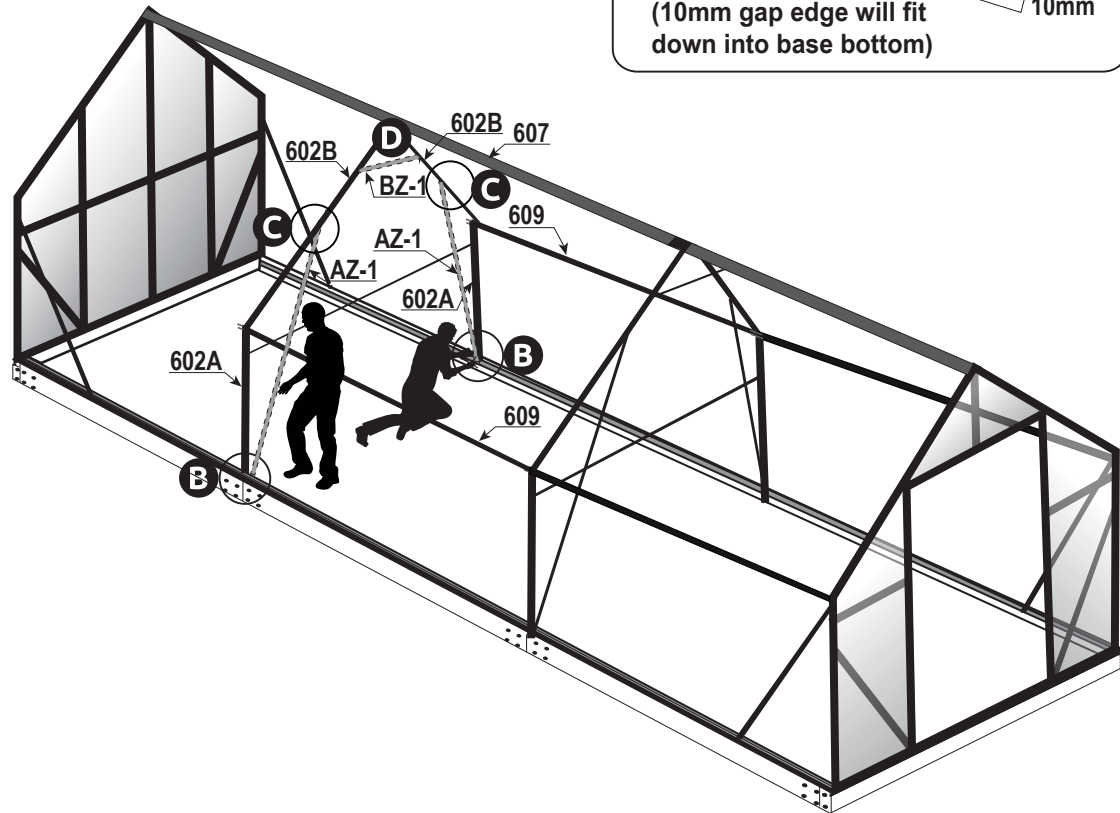
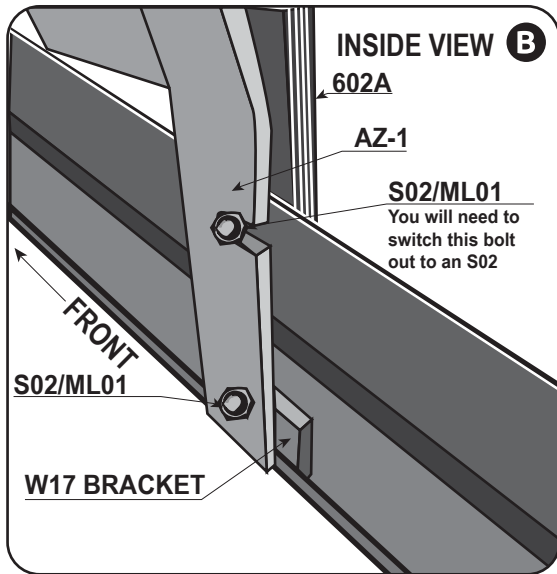
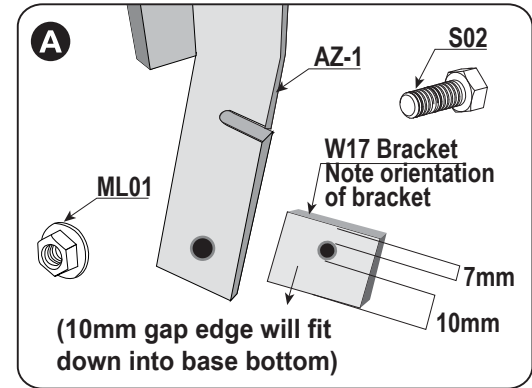
# 2nd EXTENSION ASSEMBLY INSTRUCTIONS

CONTINUE FOR 8X20 AND 8X24 ONLY / FOR 8X12 AND 8X16 SKIP AHEAD TO PAGE 50 OR STEP 5.17

STEP FIVE

**5.15** Connect the **AZ-1** with the **W17** and included hardware, see **(A)**. With two people attach the **AZ-1** to the base and the lower **602A**, see **(B)**. Then attach the upper end to the mid roof line see **(C)**. Install on both sides of the greenhouse where the extension seams meet using the **S02/ML01** combo.

**5.16** Install the **BZ-1** to the upper mid roof, to act as the support to the peak of the roof as shown between the (2) **602B**'s with **S04/ML01** nut and bolt combos, see **(D)**.

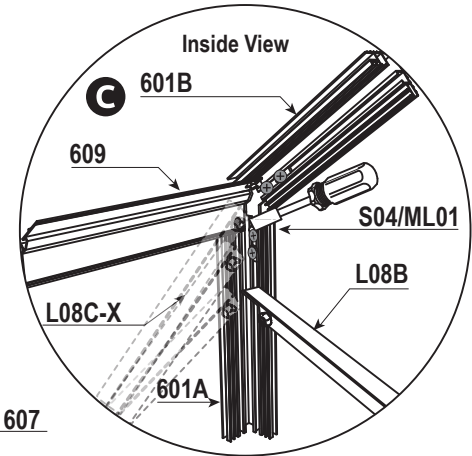


# MIDDLE ASSEMBLY INSTRUCTIONS CONTINUED

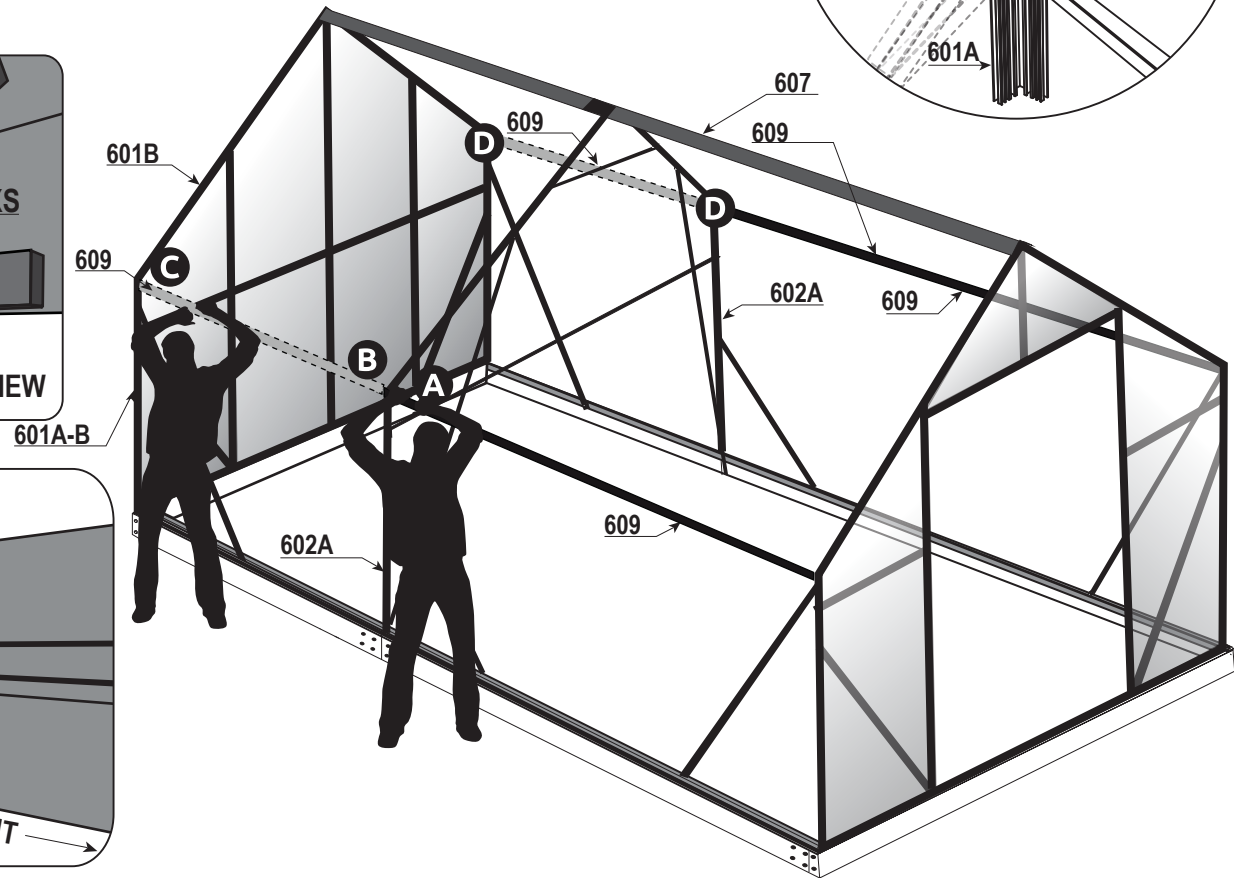
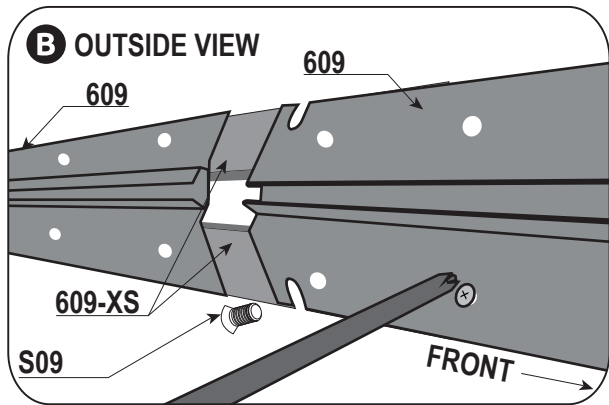
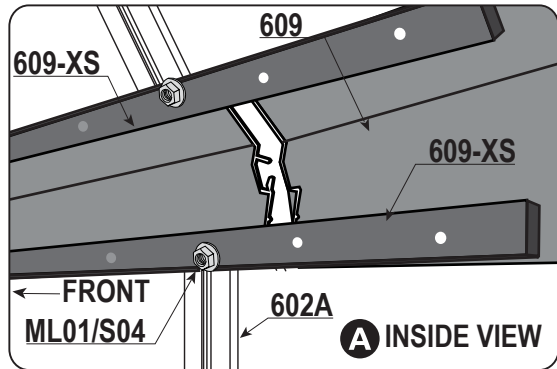
**5.17** With two people attach the **609** extension to **609-XS** with the (4) **S09** screws provided see **A** and **B**.

**5.18** With person 1 still holding in place have person 2 loosen the **L08C-X** nut and bolt combo to attach the **609** into place, see **C**.

Repeat these steps on other side of the greenhouse, see **D**.



STEP FIVE



# MIDDLE ASSEMBLY INSTRUCTIONS CONTINUED

**STEP FIVE**

**5.19** Before you attach the **602A**'s to the sides of the greenhouse you will need to loosen the **ML01** (nut) attached to the **L08C-X** and the base. See diagram **C**.

**1.** Once the bottom of one **L08C-X** is loosened set the **602A** onto the bolt of the **L08C-X**. Be sure the **602A** is aligned and sitting flush on top of the base kit. See **C** for reference.

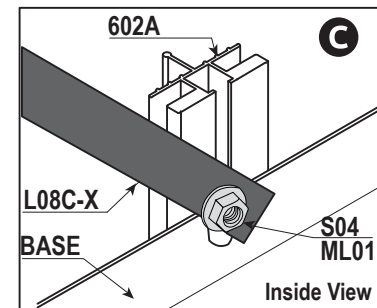
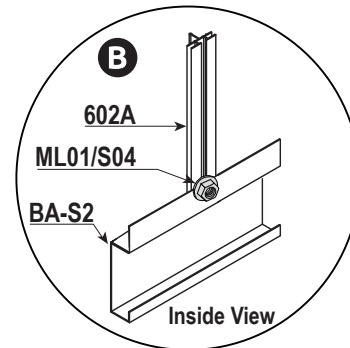
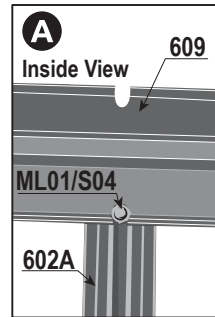
**2.** Hold the **602A** in place and attach the top of the **602A** to the **609** using **S04/ML01** (nut and bolt). As shown in **A**.

**3.** Repeat steps **1.** and **2.** on all four corners where the **L08C-X** 's meet the base kit.

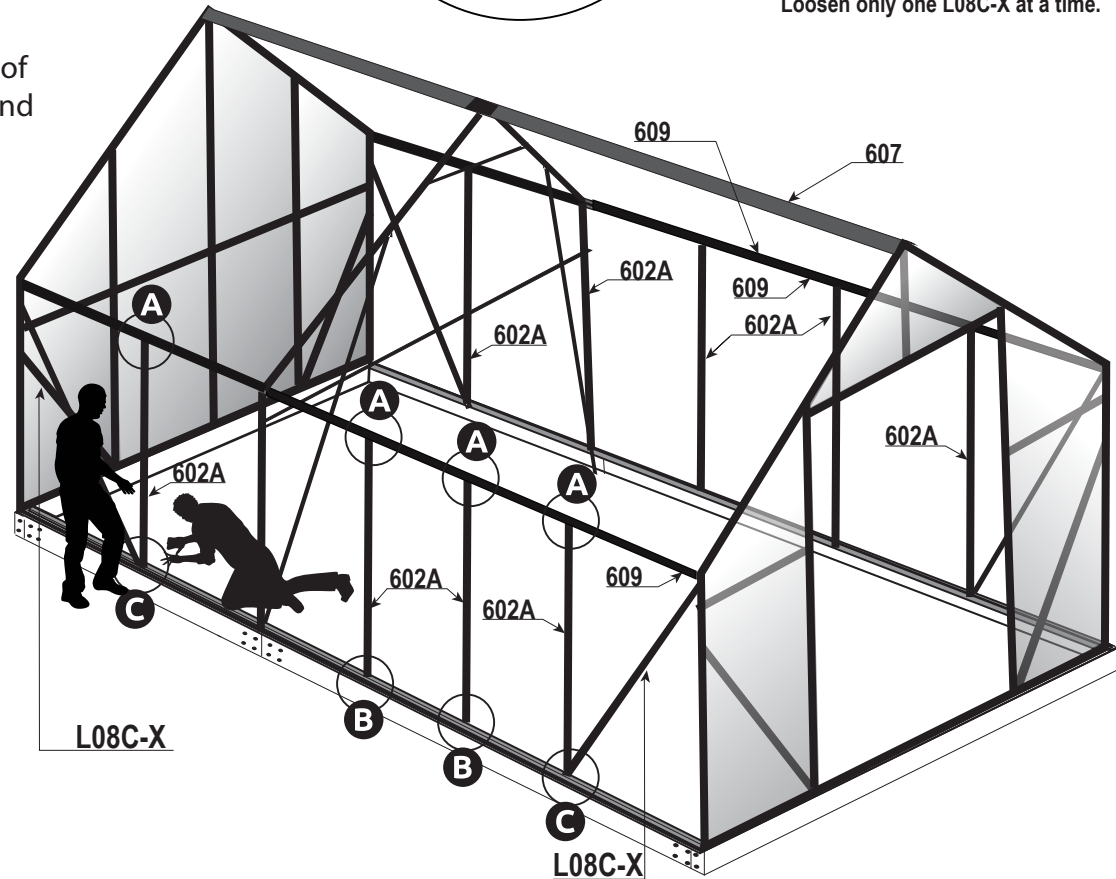
**4.** Now attach the bottom of **602A** to the **Base** using a **S04/ML01** (nut and bolt) as shown in **B**, and to the **609** with an **S04/ML01** combo as is shown in **A**.

**5.** Repeat step **4.** on all places where a **602A** should go. You may reference diagrams at front for your exact size.

**Note:** Where the **L08C-X** reattaches to the **BASE** and the **602A** be sure to secure them tightly see **C**.



Loosen only one L08C-X at a time.

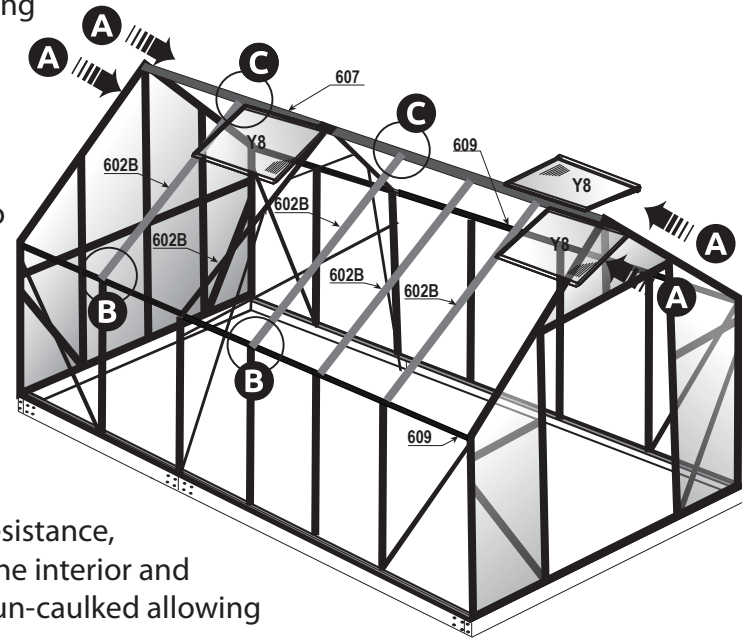


# MIDDLE ASSEMBLY INSTRUCTIONS CONTINUED

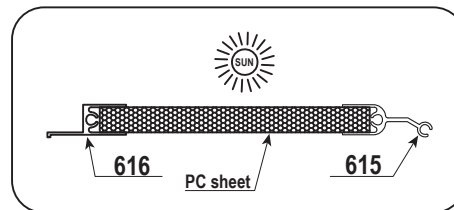
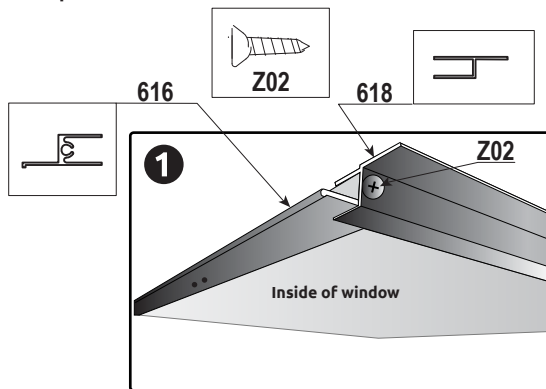
**5.20** Assemble the roof window vents as shown below in **1** and **2**, using the **Z02** screws attach the **615**, **616**, and **618**'s with the **Y8** panel as shown, be careful not to strip the screw heads. Pay attention to the **Y8** panel, stickers face the sun, and that the frames are assembled according to images below.

**5.21** Insert assembled window into the end of ridge of **607** and slide into position. See **A**. Window positions are your discretion however, must be in the middle for support, do not place nearest the front or back as you will need a **602B** support to keep in window vent in place. Place directly across from each other for best cross draft ventilation, see **C** for optional placement. Attach the **602B**'s as shown between **B** and **C**, after all roof vents are positioned.

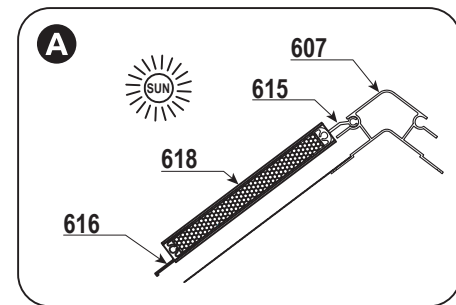
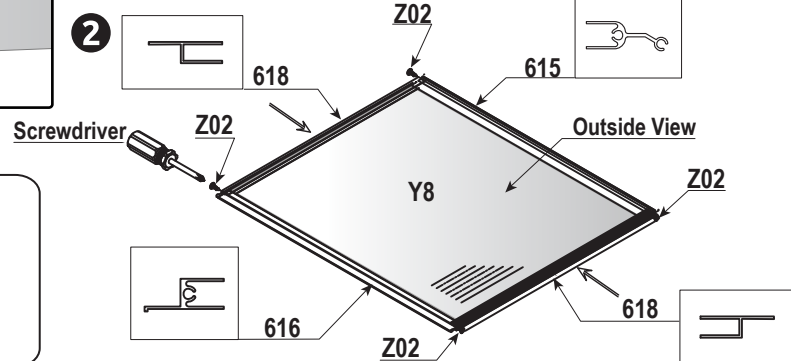
\*\* It is recommended to apply silicone caulk to the exterior seams on the bottom and sides of each panel, where panels meet the frame for water resistance, or see the Moisture Control Kit on our website to maintain panel clarity. The interior and top of each panel is protected so it is recommended that you leave them un-caulked allowing the panels to breathe.



**STEP FIVE**



**Note Correct Orientation**



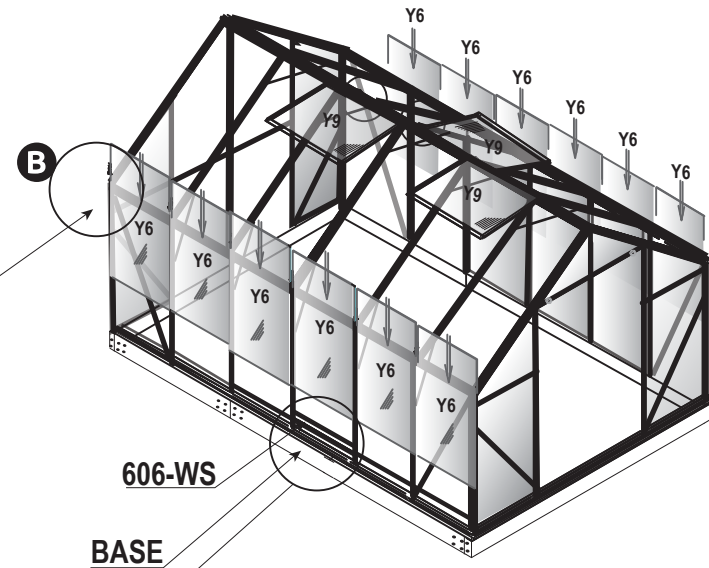
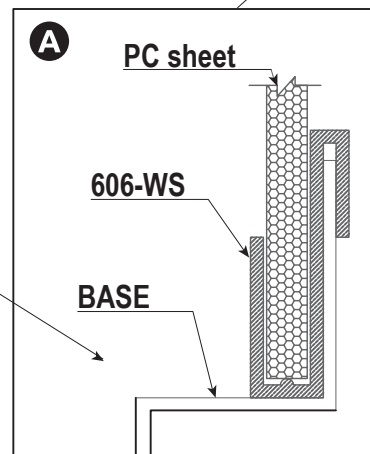
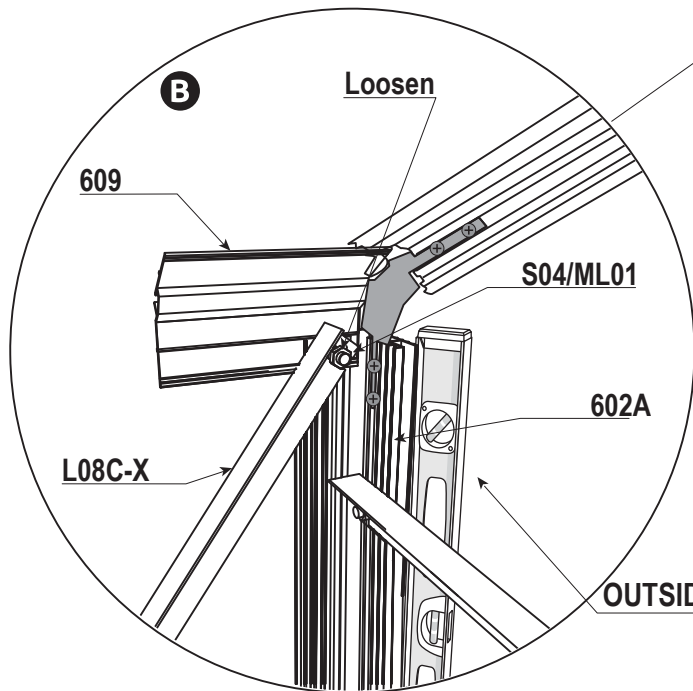
**GRANDIO TIP** Place roof windows in desired location before attaching all **602B**'s.

# MIDDLE ASSEMBLY INSTRUCTIONS CONTINUED

## STEP FIVE

**5.22** Install plastic strip **606-WS** before inserting polycarbonate sheet **Y6**'s, see **A** . Install all **Y6** panels into the channel's of the side walls, and fit down into the **606-WS**.

**5.23** After **Y6**'s are installed, loosen bolts attached to **L08C-X** in all upper corners. Using a level, adjust **602A** and tighten bolts. Repeat in every corner until the greenhouse is plumb. The top edges of **Y6**'s will align when greenhouse is level or plumb. See **B** .



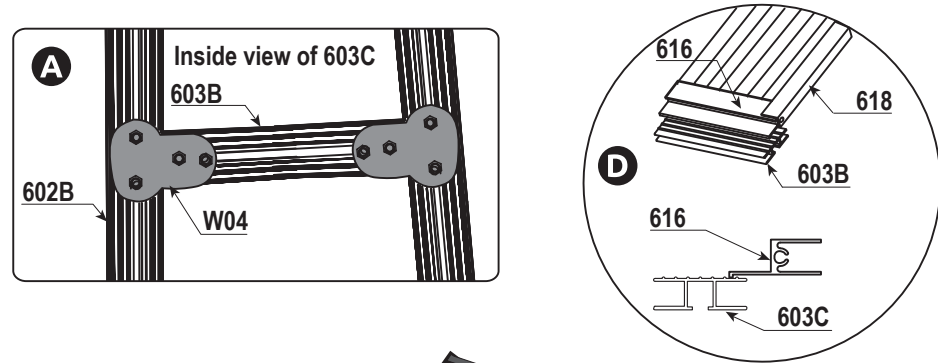
Make sure the UV coated side of the panel faces outward as indicated on the panels. Avoid placing the polycarbonate panels in the sun or near plants until fully assembled.

# MIDDLE ASSEMBLY INSTRUCTIONS CONTINUED

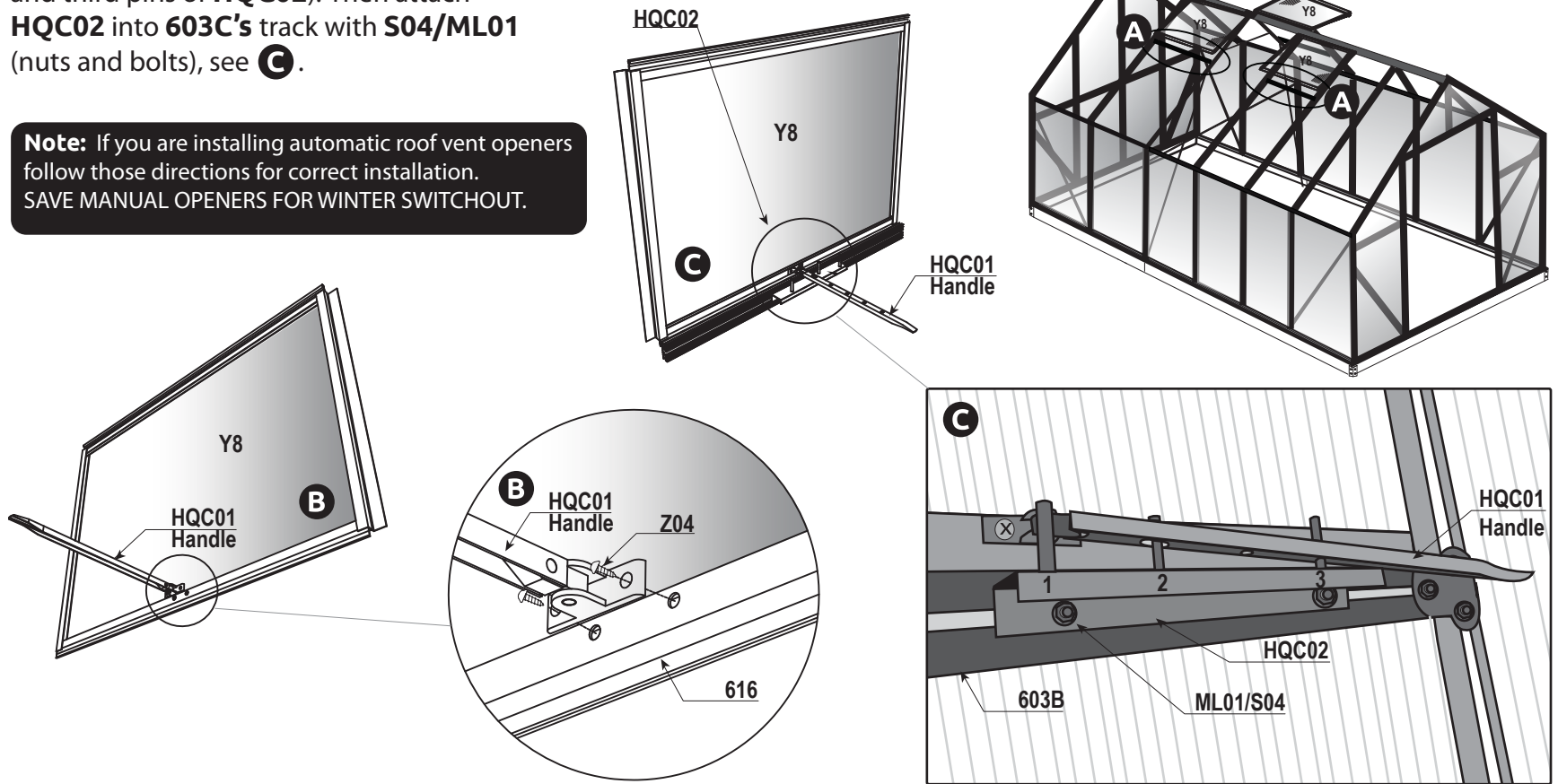
**5.24** To ensure there is no gap in roof vent position **603B** as shown in **(D)**. Connect **603B** to middle of **602B**'s using **W04** bracket as shown in **(A)**.

**5.25** Attach **HQC01** to **616** with the **Z04** screws see **(B)**, close roof vent and attach the handle onto **HQC02** middle pin (the first two holes of the handle to the second and third pins of **HQC02**). Then attach **HQC02** into **603C**'s track with **S04/ML01** (nuts and bolts), see **(C)**.

**Note:** If you are installing automatic roof vent openers follow those directions for correct installation. SAVE MANUAL OPENERS FOR WINTER SWITCHOUT.



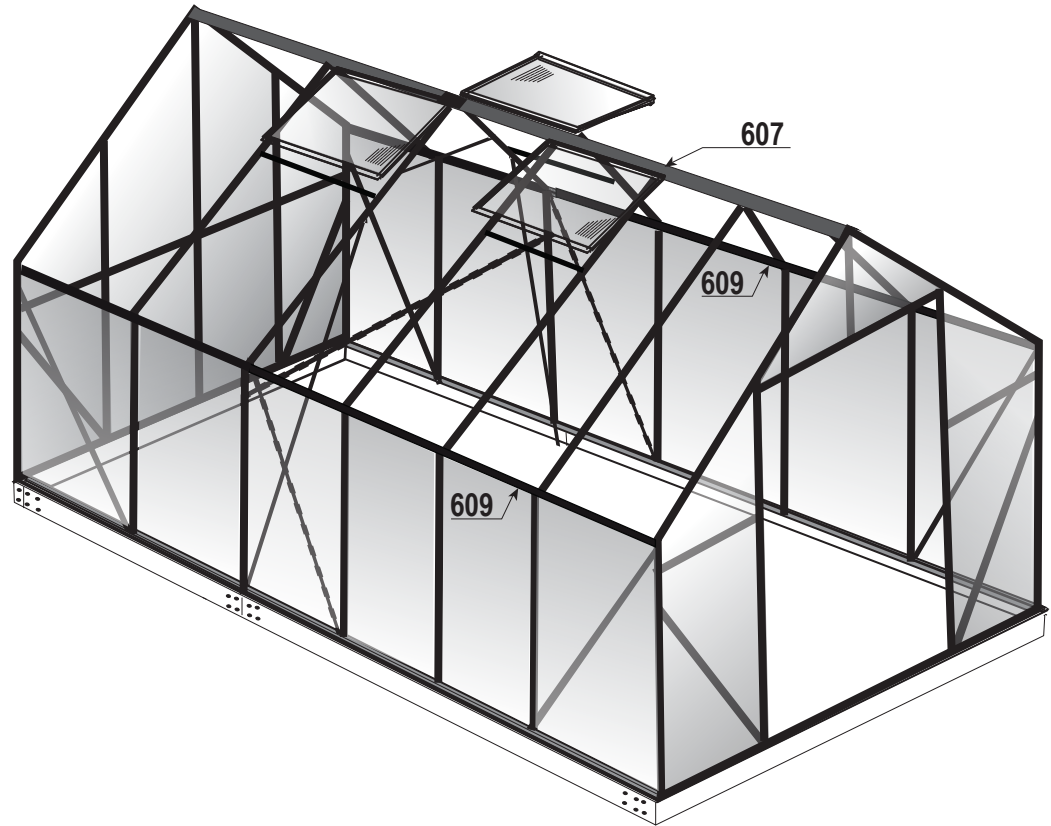
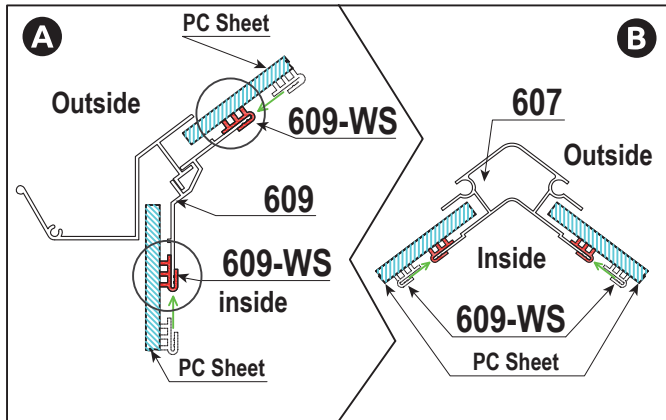
STEP FIVE



# MIDDLE ASSEMBLY INSTRUCTIONS CONTINUED

## STEP FIVE

**5.26** Attach **609-WS** to the inner roof line of the **607** and on both top and bottom of **609** as shown in **A** and **B**.



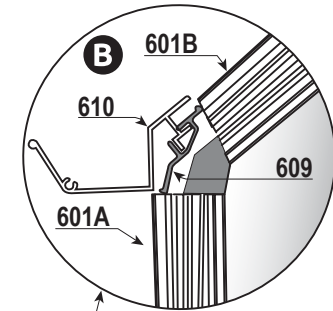
Note that there are two parts labeled **609** & **609-WS**, one is the gutter support, the other is a clip that fits under polycarbonate panels inside greenhouse.



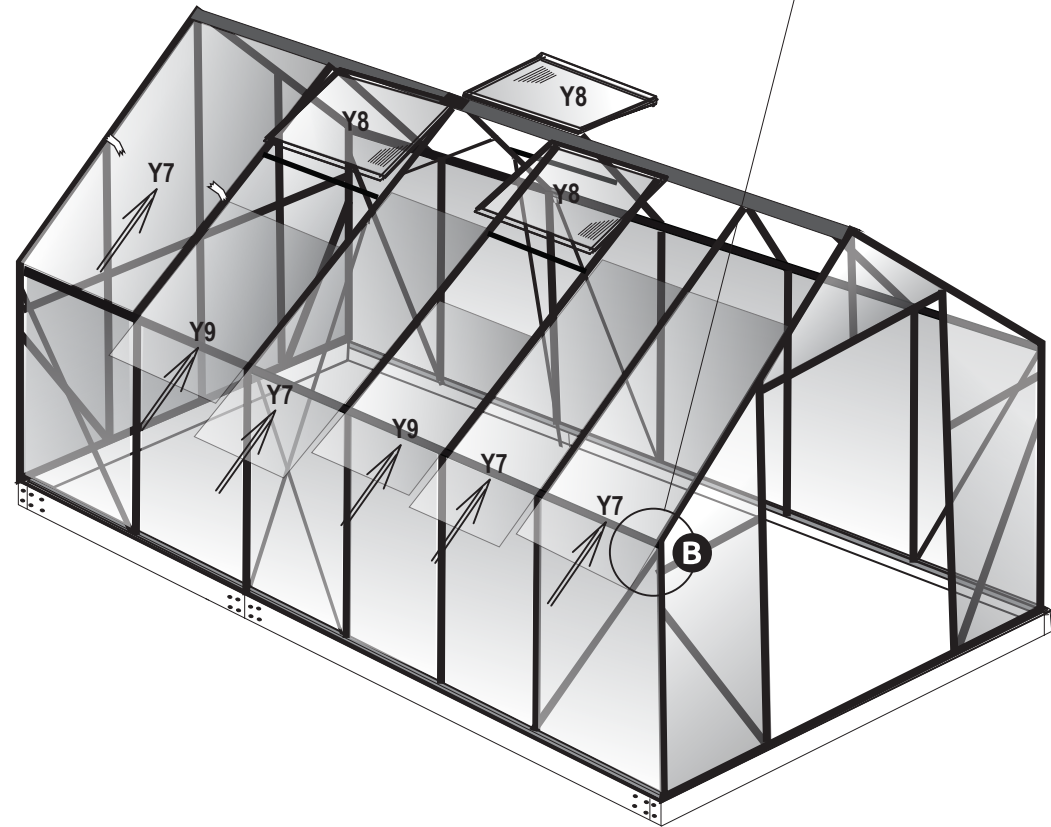
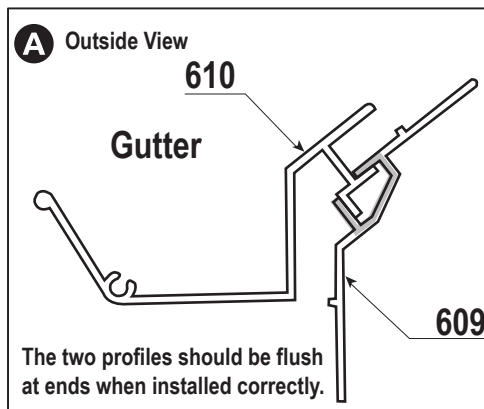
# MIDDLE ASSEMBLY INSTRUCTIONS CONTINUED

**5.27** Insert polycarbonate sheets **Y7's** and **Y9's** into the roof of your greenhouse. Panels may slide out before gutters are in place. You may want to place a piece of tape on the panel to prevent sliding as shown in the diagram once the panels are in place.

**5.28** Slide **610 Gutters** into **609's** groove as shown in diagram **A**. Repeat on both sides. Note the orientation of the gutters, the extension gutters will be at the back and the holes should align with gutter down spout holes see next page.



STEP FIVE



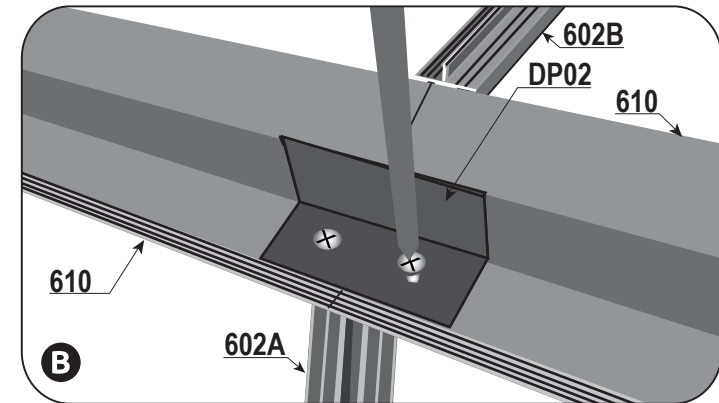
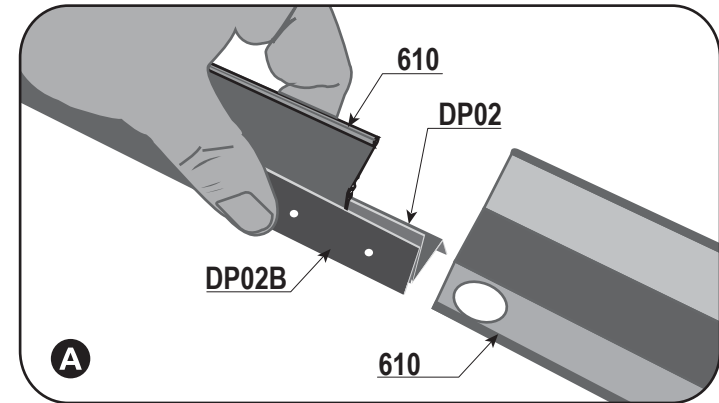
# MIDDLE ASSEMBLY INSTRUCTIONS CONTINUED

## STEP FIVE

**5.29** Apply a small amount of the silicone caulk to the seam where the **610** gutters meet, then attach the **DP02** on the inside of the gutter and the **DP02B** will slide under the gutter and will rest above the **602A**. Apply silicone to the holes where the **S07** screws will attach the **610** gutters to the **DP02** and **DP02B**. Note the **DP02B** has pre-tapped holes to accept the screws and hold tight. See diagram **A** and **B**.

Repeat these steps to assemble the additional set(s) for both sides of your greenhouse.

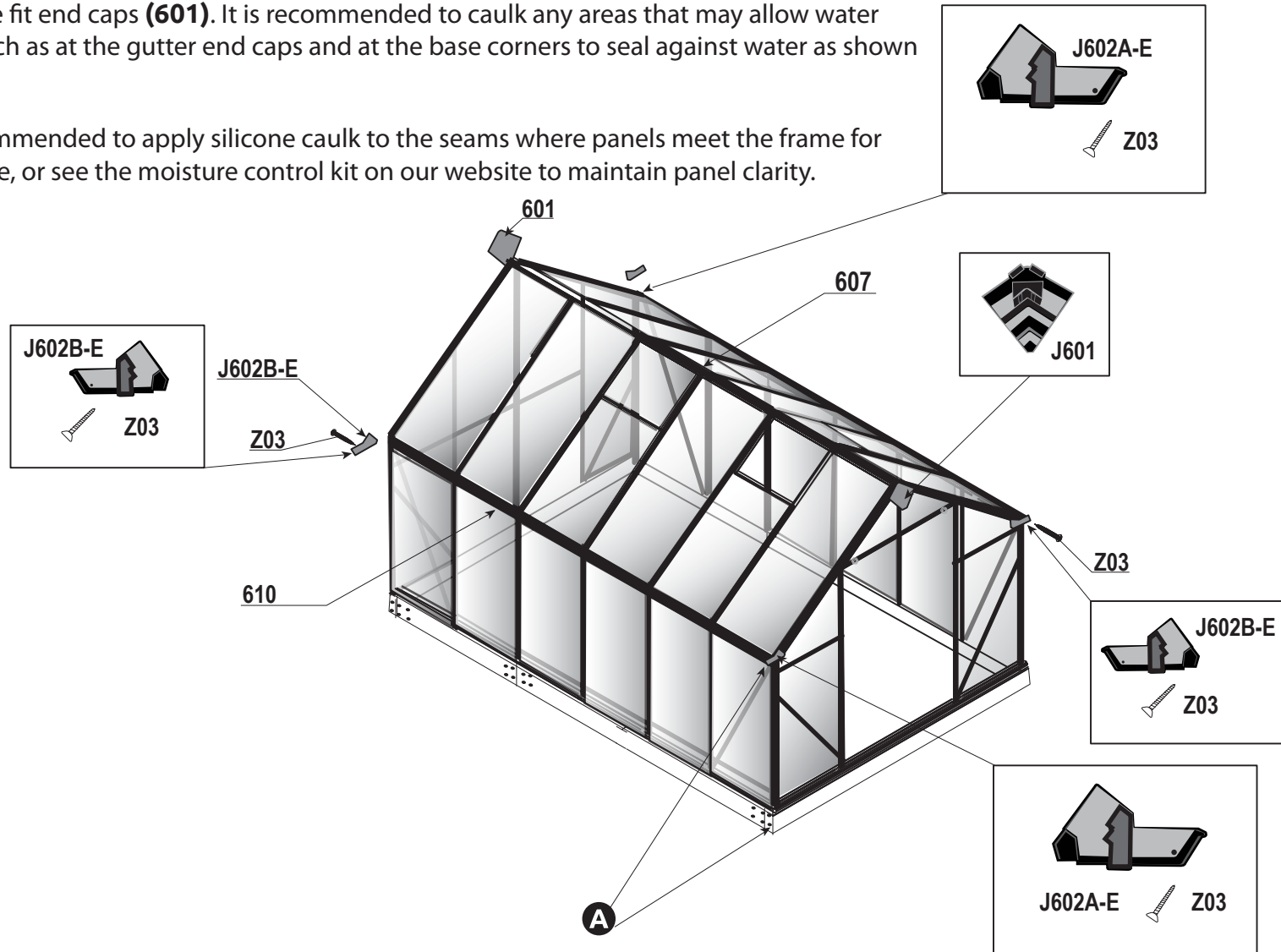
Remove the tape from the panels you may have used to hold in place.



# MIDDLE ASSEMBLY INSTRUCTIONS CONTINUED

**5.30** Attach end caps to the ridge and gutters on both front and back as shown below. Squeeze a small amount of rubberized silicone or construction adhesive into the ends of ridge (**607**) to secure pressure fit end caps (**601**). It is recommended to caulk any areas that may allow water penetration such as at the gutter end caps and at the base corners to seal against water as shown in **A**.

**5.31** It is recommended to apply silicone caulk to the seams where panels meet the frame for water resistance, or see the moisture control kit on our website to maintain panel clarity.



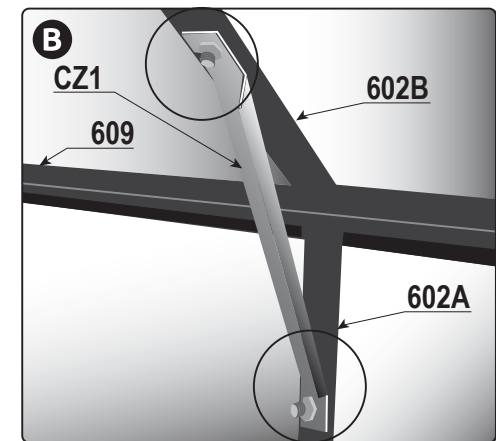
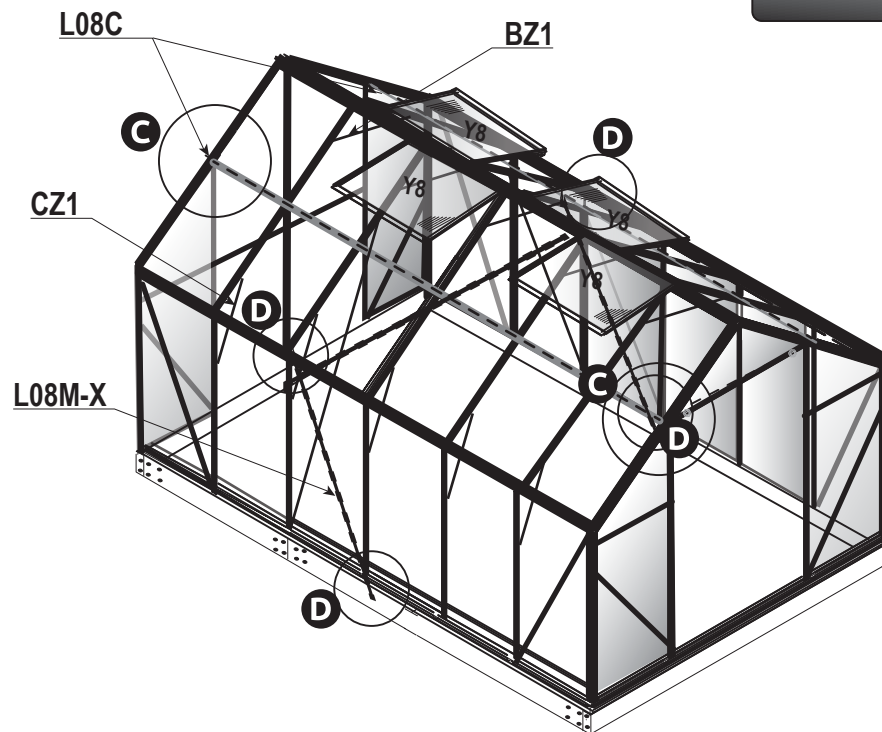
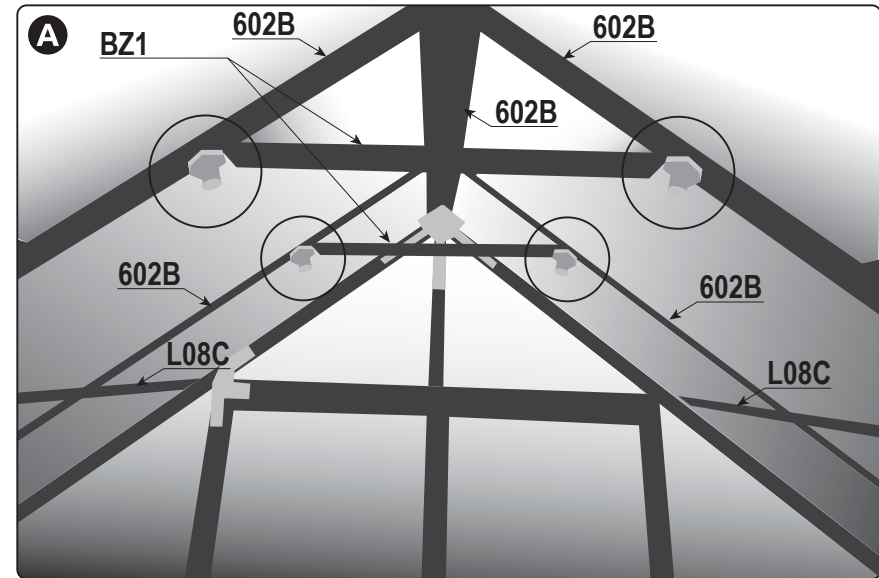
STEP FIVE

# INTERIOR ROOF SUPPORT ASSEMBLY

**6.1** Attach the **BZ1's** to the roof line as shown in diagram **A** with the **S04/ML01**. Use **CZ1's** to support the interior wall at the eave using the **S04/ML01**. See diagram **B**.

**6.2** Use **S04/ML01** to attach the **L08C's** to **601B's** and **602B's** on the inside of roof midway between the roof and the gutters for additional roof support. See diagram **C**.

**6.3** Remove the **L08M-X** support combo, take apart and now and install to the sides of the **AZ1** extension brace, see **D**. Save the hardware and **W14** bracket for possible future use or hang inside as a plant hanger clip.



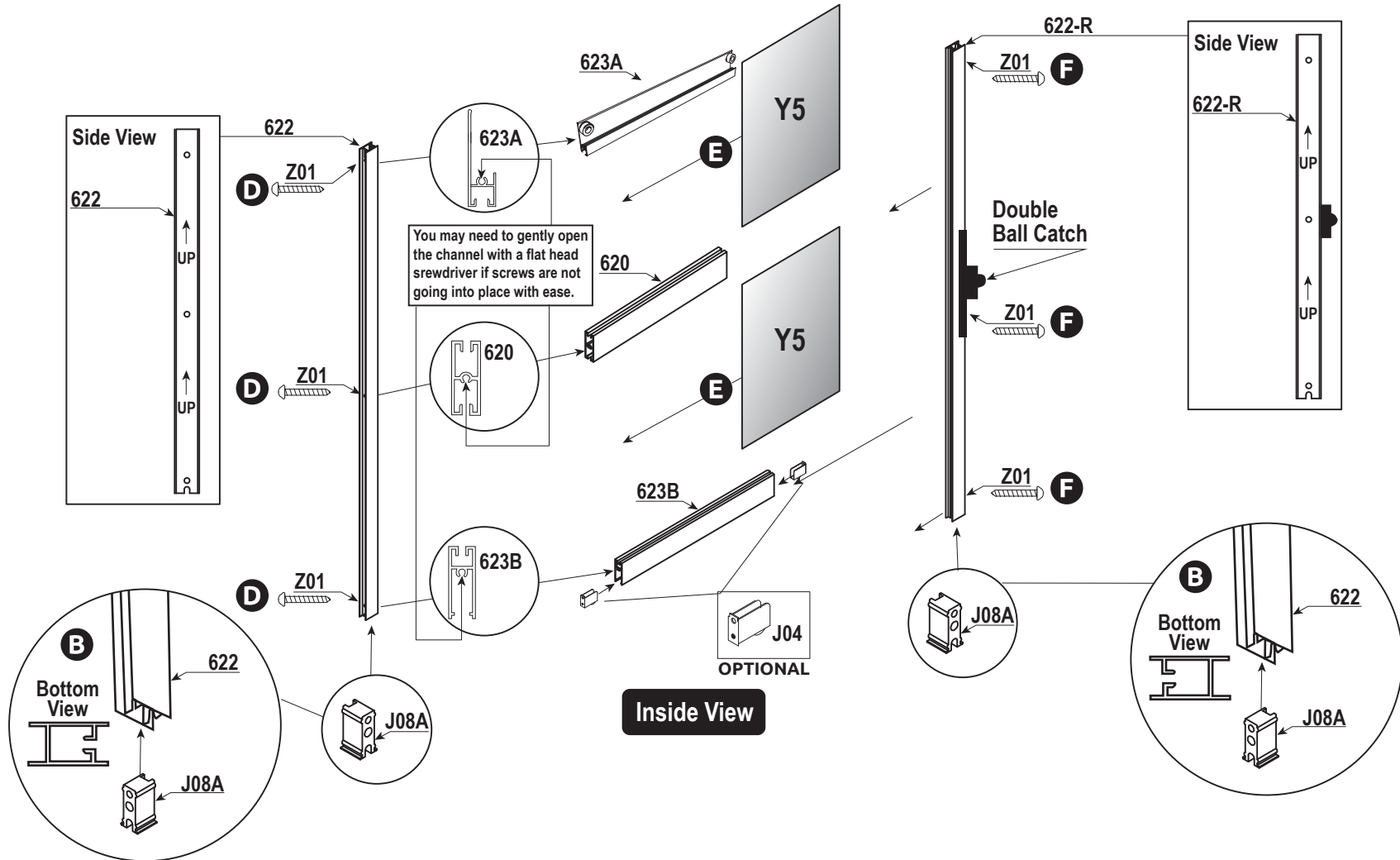
# DOOR ASSEMBLY DIAGRAM

This image shows the inside view of Right Door Assembly.

All parts for door assembly will be found in box GRA-ASC-8A and GRA-ASC-8P.

Use the #2 head Phillips Screw Driver for installation.

If you are using the Back Door Transformation kit you will repeat steps 7.1-7.11 to install the Back Door, these parts will be found in box GRA-ASC-BD.



# DOOR ASSEMBLY

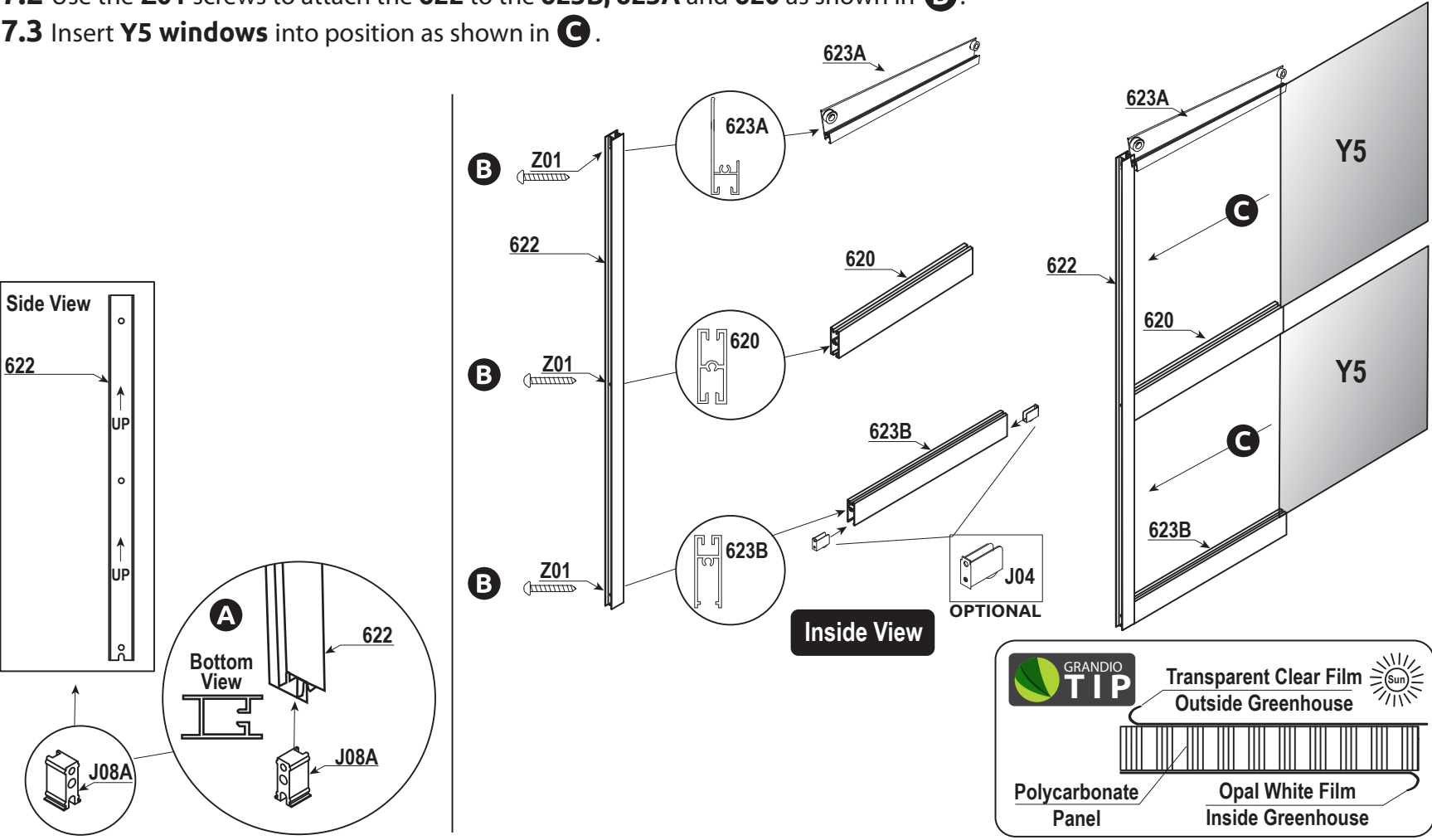
We recommend you lay out all parts for both doors to make sure they match up correctly for hanging. Double check the orientation of what is inside versus outside and how the doors will hang on page 63-65. Make sure window panels face the right direction to the sun and note that the panels have predrilled holes for the handles to attach later and these need to be aligned with the lock mechanisms. This will save you from assembling the wrong way.

**7.1** Insert **J08A** into the bottom of the **622**, note the bottom groove is smaller than the top groove of **622**, see **A**.

**7.2** Use the **Z01** screws to attach the **622** to the **623B**, **623A** and **620** as shown in **B**.

**7.3** Insert **Y5 windows** into position as shown in **C**.

**STEP SEVEN**

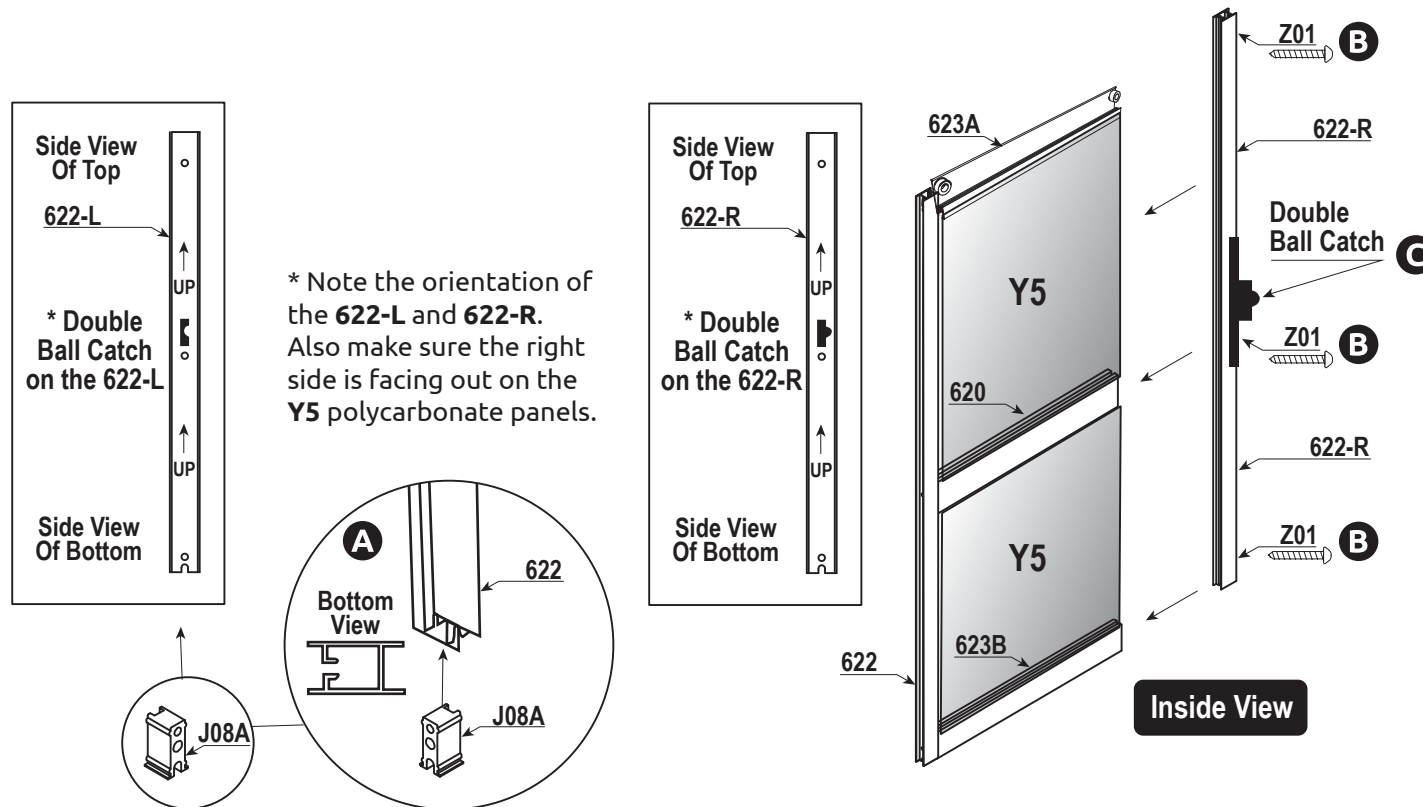


# DOOR ASSEMBLY CONTINUED

**7.4** Insert **J08A** into the bottom of the **622-R** and **622-L**, note the bottom has a groove see **A**.

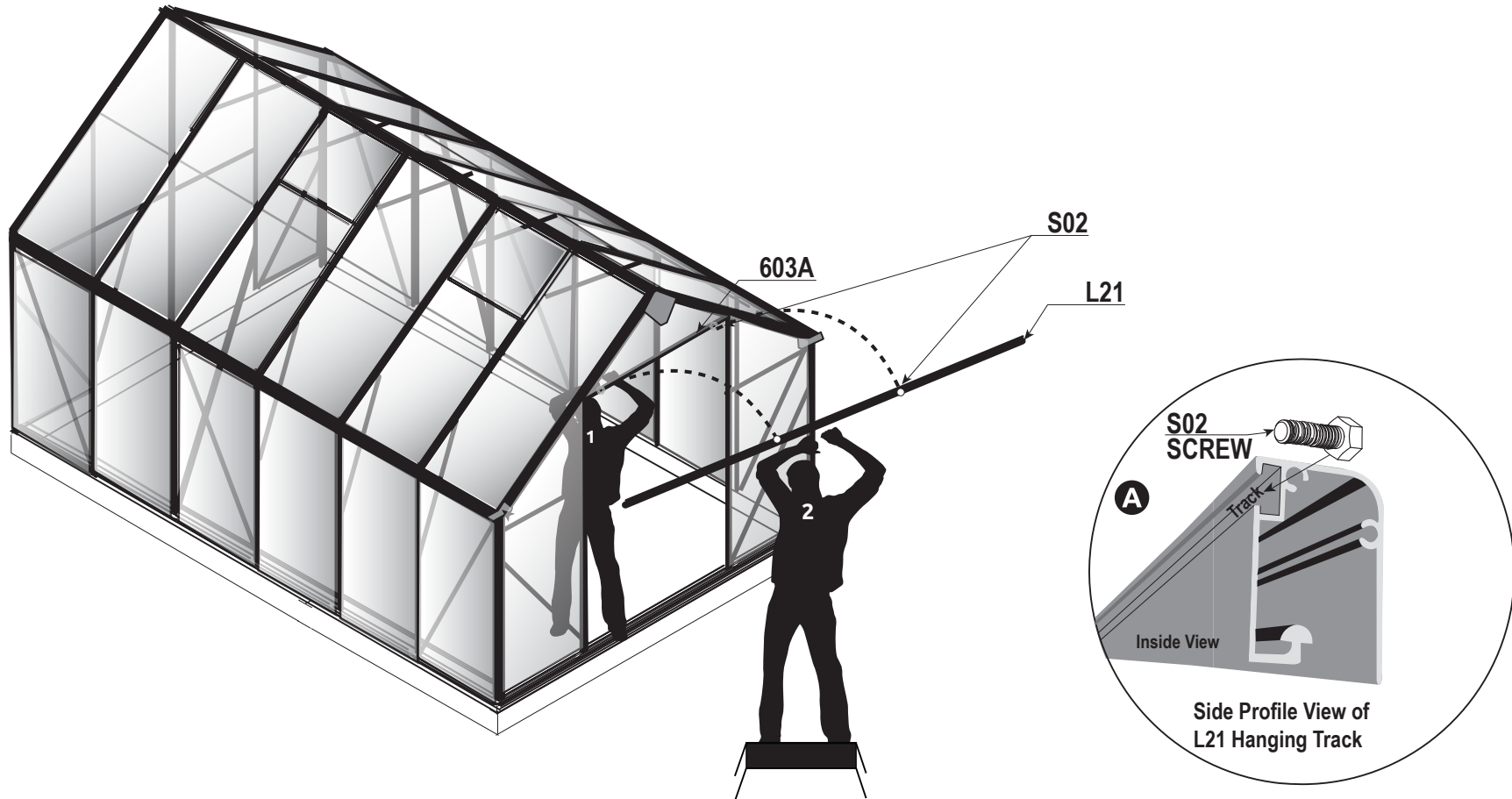
**7.5** Attach the **622-R** to the **623B**, **623A** and **620** using the **Z01** screws as shown in **B**.

**7.6** Follow the same instructions for the other door making sure that the **622-L** and **622-R** with the double ball catch match up so doors will latch closed and slide properly **C**.



# DOOR INSTALLATION

**7.7** Slide the (2) **S02** bolts down the track of the **L21** see **A**, align with the holes on the **603A** door header. With one person inside the greenhouse line up hanging door track **L21** with door header **603A**, move bolts on **L21** to line up with bolt holes on door header **603A**. From the inside hand tighten the **ML01** nut while the person outside is holding the **L21** in position, you will now center on the front of the greenhouse and tighten the **S02/ML01** combo.

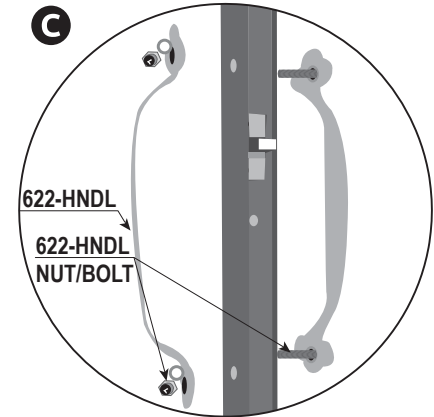
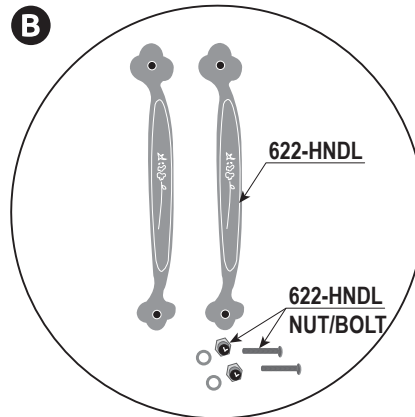
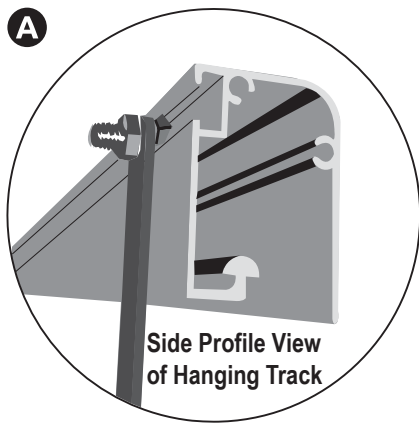
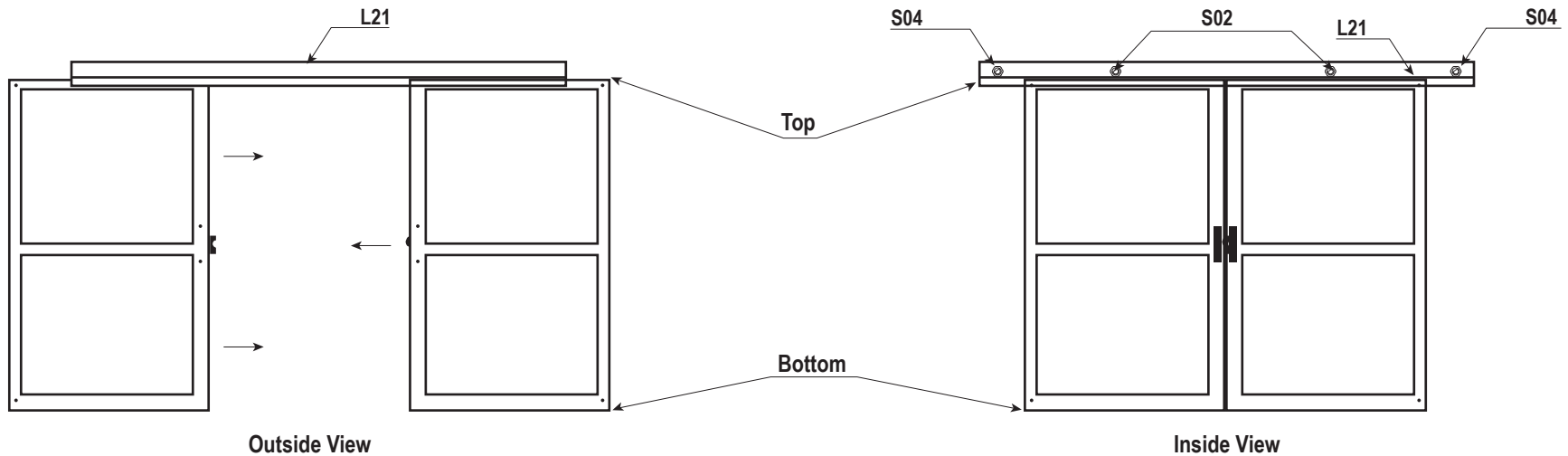




# DOOR INSTALLATION

**7.8** Separately slide the top of the doors in the left and right side of **L21**, see diagram **A**, until they latch in the middle.

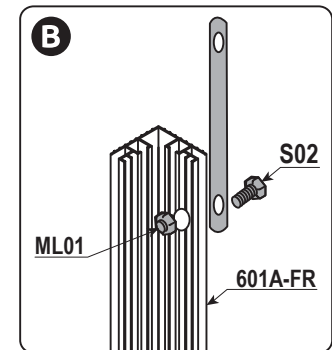
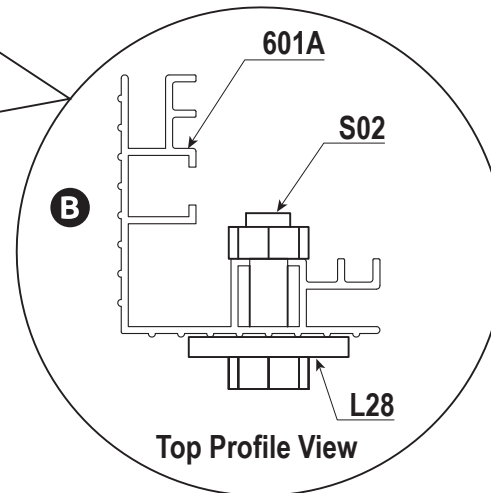
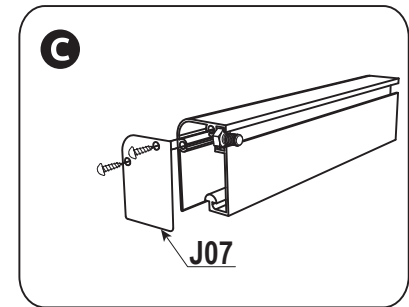
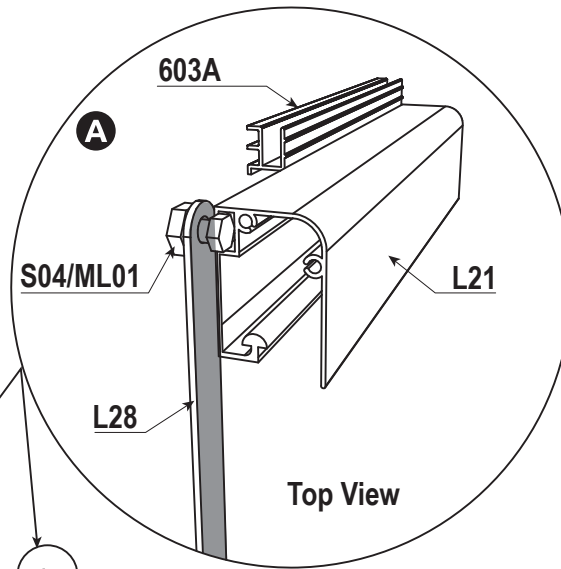
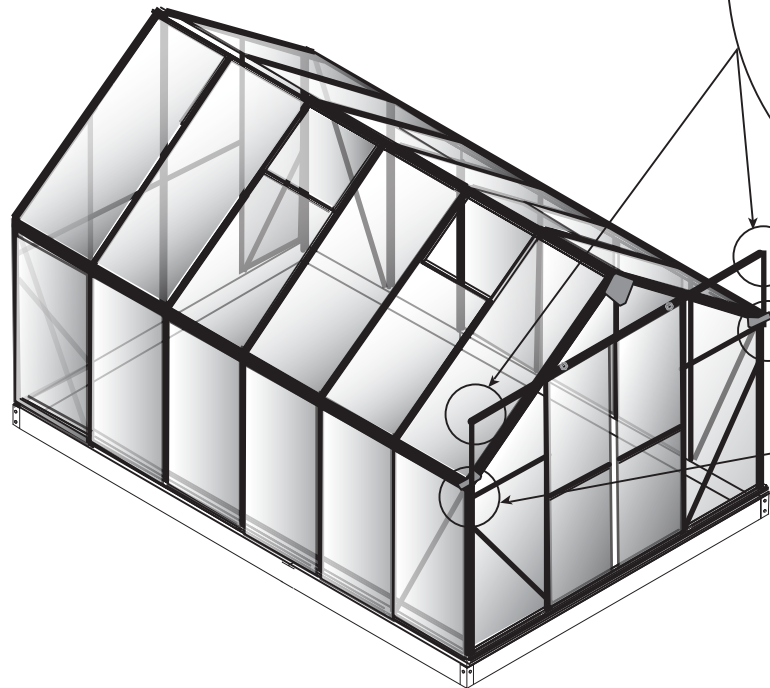
**7.9** Attach the door handles **622-HNDL** to both doors using the **622-HNDL-NUT/BOLT** provided to both doors as shown below in **B**, and **C**.



# DOOR INSTALLATION

**7.10** Attach **L28** to **L21** with **S04/ML01**, and **L28** to **601A** with **S02/ML01** as shown below in diagram **A** and **B**. Check that the **L21** and **L28**'s are square. Attach (2) **J07** to the ends of **L21** see **C**. The **L28** should align square to the **601A**.

**7.11** Check that the door locks are snug, you may adjust them with screwdriver if needed as they can be tightened or loosened.









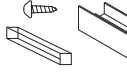
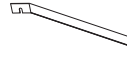

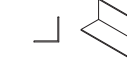



STEP SEVEN

You may remove all stickers now with Goo Gone remover if needed.  
You are now finished with assembly!

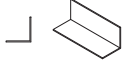
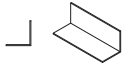

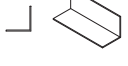
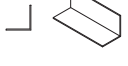
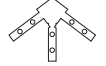
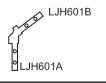

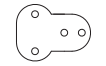

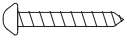
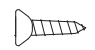

## (GRA-ASC-8A) GRANDIO ASCENT 8'X8' ALUMINUM PACKING LIST

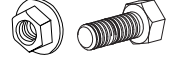



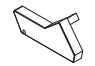

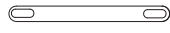
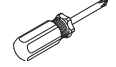
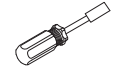


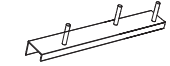

GRAPHIC	PART NAME	SIZE/LOCATION	QUANTITY
	601A-B	52 1/2 in / 1334 mm BACK CORNERS	2
	601A-FL	52 1/2 in / 1334 mm FRONT LEFT CORNER	1
	601A-FR	52 1/2 in / 1334 mm FRONT RIGHT CORNER	1
	601B	57 1/8 in / 1451 mm CORNER ROOF	4
	602A	52 1/2 in / 1334 mm	6
	602B	57 1/2 in / 1451 mm	6
	602C	87 1/4 in / 2216 mm	1
	602D	70 3/8 in / 1787 mm	2
	603A	47 5/16 in / 1201 mm	1
	603B	21 7/8 in / 555 mm	8
	603C	17 in / 431 mm	1
	604-R	68 7/8 in / 1750 mm FRONT RIGHT	1
	604-L	68 7/8 in / 1750 mm FRONT LEFT	1

GRAPHIC	PART NAME	SIZE/LOCATION	QUANTITY
	606-WS	21 3/4 in / 553 mm WINDOW SEAL	14
	607	94 1/4 in / 2394 mm	1
 BLACK WINDOW SEAL	609-WS	21 5/8 in / 550 mm WINDOW SEAL	22
	609	94 1/4 in / 2394 mm	2
	610	94 3/8 in / 2397 mm	2
	615	22 3/4 in / 578 mm	2
	616	22 3/4 in / 578 mm	2
	618	19 3/4 in / 500 mm	4
	619 619-BAR S19 SCREW	94 1/4 in / 2394 mm	1
	BZ-1	23 5/8 in / 600 mm ROOF SUPPORT	3
	CZ-1	19 11/16 in / 500 mm EAVE SUPPPORT	6
	L08A NOTE THESE ARE PACKED TOGETHER	94 1/4 in / 2394 mm	1
	L08B	94 1/4 in / 2394 mm	1




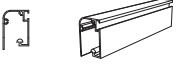



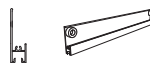
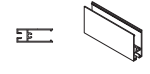
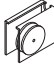
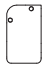
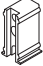
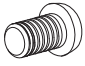
PARTS LIST FOR GRA-ASC-8A

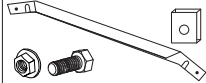
## (GRA-ASC-8A) GRANDIO ASCENT 8'X8' ALUMINUM PACKING LIST

GRAPHIC	PART NAME	SIZE/LOCATION	QUANTITY
	L08C	94 1/4 in / 2394 mm	2
	L08D	24 3/4 in / 614 mm	2
	L08A-X	48 7/8 in / 1242 mm	2
	L08B-X	48 7/8 in / 1242 mm	2
	L08C-X	57 5/16 in / 1456 mm	4
	W01	ROOF	2
	W02	FRONT & BACK	4
	W02T	FRONT & BACK	2
	W04	ROOF LINE	5
	W04-1	BACK WALL	2
	Z01	M4*30 Screws for Doors	13
	Z02	M3.5*16 Screws for Roof Vents	9
	Z03	M3*25 Screw for End Caps	4

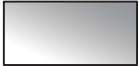











GRAPHIC	PART NAME	SIZE/LOCATION	QUANTITY
	S02	M6*20	6
	ML01/S04	M6*14	140
	S05	M6*10 For W01 and W02	30
	J601	END CAPS	2
	J602A-E	END CAPS	2
	J602B-E	END CAP	2
	L28	22 in / 558 mm	2
	W11	SCREW DRIVER	1
	W13	10 MM NUT DRIVER	1
	W16	10 MM WRENCH	1
	HQC01	ROOF VENT ARM	2
	HQC02	ROOF VENT LATCH	2
	Z04, S04/ML01	ROOF VENT HARDWARE	4 EACH

## (GRA-ASC-8A) GRANDIO ASCENT 8'X8' ALUMINUM PACKING LIST

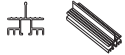
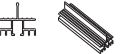

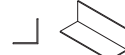
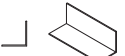

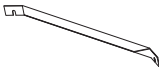





GRAPHIC	PART NAME	SIZE/LOCATION	QUANTITY
	622-HNDL	DOOR HANDLES	4
	622-HNDL NUT/BOLT	DOOR HARDWARE	4
	620	21 7/16 in / 545 mm	2
	L21	95 1/2 in / 2425 mm	1
	622	67 7/8 in / 1724 mm	2
	622-L	67 7/8 in / 1724 mm	1
	622-R	67 7/8 in / 1724 mm	1
	623A	21 7/16 in / 545 mm	2
	623B	21 5/16 in / 542 mm	2
	J04	DOOR BOTTOM ROLLER	4
	J07	L21A END CAP	2
	J08A	DOORS	4
	S10	M6*16 Attaches 619 to Base	3

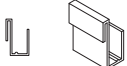

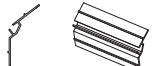


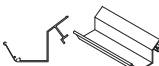
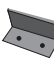

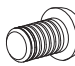


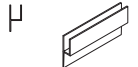
GRAPHIC	PART NAME	SIZE/LOCATION	QUANTITY
	AZ-1 / W17 S02/ML01	76 3/4 in / 1950 mm EXTENSION SUPPORT	2

**(GRA-ASC-8P) GRANDIO ASCENT 8'X8' PANEL PACKING LIST**

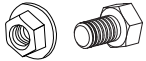

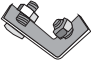
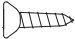

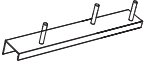

GRAPHIC	PART #	SIZE/LOCATION	WIDTH	HEIGHT 1	HEIGHT 2	QTY
	Y1	LOWER BACK WALL PANEL	22 3/4 in / 578 mm	44 in / 1118 mm		6
	Y2-1	FRONT UPPER SIDEWALL	22 3/4 in / 578 mm	8 1/4 in / 209 mm	25 5/16 in / 643 mm	2
	Y2-2	FRONT UPPER SIDEWALL	22 3/4 in / 578 mm	25 5/16 in / 643 mm	8 1/4 in / 209 mm	2
	Y3-1	FRONT UPPER PEAK	22 3/4 in / 578 mm	11/16 in / 18 mm	17 3/4 in / 451 mm	1
	Y3-2	FRONT UPPER PEAK	22 3/4 in / 578 mm	17 3/4 in / 451 mm	11/16 in / 18 mm	1
	Y4-1	BACK MIDWALL	22 3/4 in / 578 mm	25 3/4 in / 654 mm	42 13/16 in / 1088 mm	1
	Y4-2	BACK MIDWALL	22 3/4 in / 578 mm	42 13/16 in / 1088 mm	25 3/4 in / 654 mm	1
	Y5	DOOR PANEL	22 3/4 in / 578 mm	33 in / 839 mm		4
	Y6	SIDE PANEL	22 3/4 in / 578 mm	52 1/16 in / 1322 mm		8
	Y7	ROOF PANEL	22 3/4 in / 578 mm	58 1/8 in / 1477 mm		6
	Y8	ROOF VENT PANEL	22 3/4 in / 578 mm	19 1/8 in / 486 mm		2
	Y9	UNDER ROOF VENT	22 3/4 in / 578 mm	36 7/8 in / 937 mm		2

## (GRA-ASC-4XA) GRANDIO ASCENT 4' EXTENSION ALUMINUM PACKING LIST

GRAPHIC	PART NAME	SIZE/LOCATION	QUANTITY
	602A	52 1/2 in / 1334 mm	4
	602B	57 1/8 in / 1451 mm	4
	603B	21 7/8 in / 555 mm	1
	L08M-X	57 5/16 in / 1456 mm	2
	L08C	46 3/4 in / 1187 mm	2
	BZ-1	23 5/8 in / 600 mm ROOF SUPPORT	2
	CZ-1	19 11/16 in / 500 mm EAVE SUPPORT	2
	607	47 1/2 in / 1187 mm	1
	607-XS	ROOF EXTENSION	1
	S08	M6*20 Attaches the 607-XS to 607	5
	S06	M4*6 Attaches DP01 to 607	5
	DP01	ROOF CAP	1


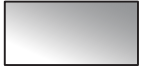


GRAPHIC	PART NAME	SIZE/LOCATION	QUANTITY
	606-WS	21 3/4 in / 553 mm WINDOW SEAL	4
 BLACK WINDOW SEAL	609-WS	21 5/8 in / 550 mm WINDOW SEAL	11
	609	46 3/4 in / 1187 mm	2
	609-XS	609 EXTENSION CONNECTORS	4
	S09	M4*6 ATTACHES 609-XS TO 609's	20
	610	46 3/4 in / 1187 mm	2
	DP02	GUTTER BRACKET CONNECTOR	2
	DP02B	GUTTER BRACKET CONNECTOR	2
	S07	M5*8 ATTACHES DP02 TO DP02B	5
	615	22 3/4 in / 578 mm	1
	616	22 3/4 in / 578 mm	1
	618	19 3/4 in / 500 mm	2

**(GRA-ASC-4X) GRANDIO ASCENT 4' EXTENSION ALUMINUM PACKING LIST**


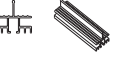
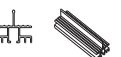
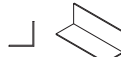
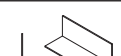
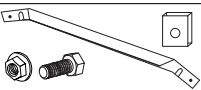
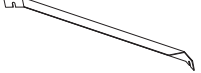
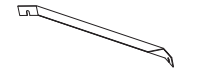
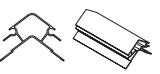
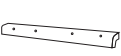

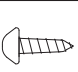
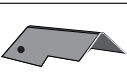
GRAPHIC	PART NAME	SIZE/LOCATION	QUANTITY
	S04/ML01	NUT AND BOLT	40
	W04	ROOF VENT	2
	W14	L08M-X BRACKET	2
	Z02	M3.5*16 SCREWS FOR ROOF VENTS	5
	HQC01	ROOF VENT ARM	1
	HQC02	ROOF VENT LATCH	1
	Z04, S04/ML01	HQC01 HARDWARE	2/2

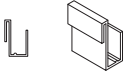

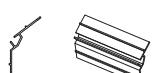

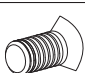
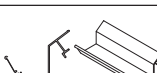

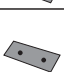
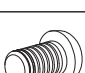

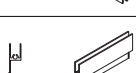
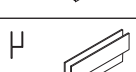


**(GRA-ASC-4X) GRANDIO ASCENT 4' EXTENSION PANEL PACKING LIST**

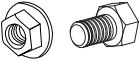
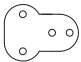
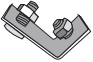
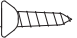

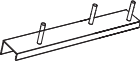

GRAPHIC	PART #	SIZE/LOCATION	WIDTH	HEIGHT 1	HEIGHT 2	QTY
	Y6	SIDE PANEL	22 3/4 in / 578 mm	52 1/16 in / 1322 mm		4
	Y7	ROOF PANEL	22 3/4 in / 578 mm	58 1/8 in / 1477 mm		3
	Y8	ROOF VENT PANEL	22 3/4 in / 578 mm	19 1/8 in / 486 mm		1
	Y9	UNDER ROOF VENT PANEL	22 3/4 in / 578 mm	36 7/8 in / 937 mm		1

## (GRA-ASC-8XA) GRANDIO ASCENT 8' EXTENSION ALUMINUM PACKING LIST





GRAPHIC	PART NAME	SIZE/LOCATION	QUANTITY
	602A	52 1/2 in / 1334 mm	8
	602B	57 1/8 in / 1451 mm	8
	603B	21 7/8 in / 555 mm	2
	L08C-X / L08M-X	57 5/16 in / 1456 mm	2
	L08C	93 1/4 in / 2394 mm	2
	AZ-1 / W17 S02/ML01	76 3/4 in / 1950 mm EXTENSION SUPPORT	2
	BZ-1	23 5/8 in / 600 mm ROOF SUPPORT	4
	CZ-1	19 11/16 in / 500 mm EAVE SUPPORT	6
	607	93 7/16 in / 2374 mm	1
	607-XS	ROOF EXTENSION	1
	S08	M6*20 ATTACHES 607-XS TO 607	20
	S06	M4*6 ATTACHES DP01 TO 607	5
	DP01	ROOF CAP	1

GRAPHIC	PART NAME	SIZE/LOCATION	QUANTITY
	606-WS	21 3/4 in / 553 mm WINDOW SEAL	8
 BLACK WINDOW SEAL	609-WS	21 5/8 in / 550 mm WINDOW SEAL	22
	609	93 7/16 in / 2374 mm	2
	609-XS	609 EXTENSION	4
	S09	M4*6 ATTACH THE 609-XS TO 609	20
	610	93 7/16 in / 2374 mm	2
	DP02	GUTTER BRACKET	2
	DP02B	GUTTER BRACKET	2
	S07	M5*8 SCREW FOR GUTTER BRACKET	5
	615	22 3/4 in / 578 mm	2
	616	22 3/4 in / 578 mm	2
	618	19 3/4 in / 500 mm	4


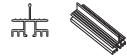


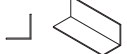



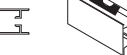
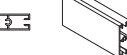



**(GRA-ASC-8XA) GRANDIO ASCENT 8' EXTENSION ALUMINUM PACKING LIST**

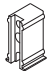
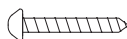

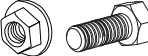


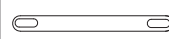






<b>GRAPHIC</b>	<b>PART NAME</b>	<b>SIZE/LOCATION</b>	<b>QUANTITY</b>
	S04/ML01	NUT AND BOLT	65
	W04	ROOF VENT BRACKETS	4
	W14	L08M-X BRACKET	2
	Z02	M3.5*16 SCREWS FOR ROOF VENT	2
	HQC01	ROOF VENT ARM	2
	HQC02	ROOF VENT LATCH	5
	Z04, S04/ML01	HQC01 SCREW	4

**(GRA-ASC-8XP) GRANDIO ASCENT 8' EXTENSION PANEL PACKING LIST**

GRAPHIC	PART #	SIZE/LOCATION	WIDTH	HEIGHT 1	HEIGHT 2	QTY
	Y6	SIDE PANEL	22 3/4 in / 578 mm	52 1/16 in / 1322 mm		8
	Y7	SIDE PANEL	22 3/4 in / 578 mm	58 1/8 in / 1477 mm		6
	Y8	ROOF VENT PANEL	22 3/4 in / 578 mm	19 1/8 in / 486 mm		2
	Y9	UNDER ROOF VENT	22 3/4 in / 578 mm	36 7/8 in / 937 mm		2

## (GRA-ASC-BD) GRANDIO ASCENT BACKDOOR PACKING LIST

GRAPHIC	PART NAME	SIZE/LOCATION	QUANTITY
	603A	47 5/16 in / 1201 mm BACK CORNERS	1
	603C	17 in / 431 mm FRONT LEFT CORNER	1
	604R	68 7/8 in / 1750 mm FRONT RIGHT DOOR	1
	604L	68 7/8 in / 1750 mm FRONT LEFT DOOR	1
	L08D	24 3/16 in / 614 mm	2
	619 619-BAR S19	94 1/4 in / 2394 mm	1
	622	67 7/8 in / 1724 mm	2
	622-R	67 7/8 in / 1724 mm	1
	622-L	67 7/8 in / 1724 mm	1
	620	21 7/16 in / 545 mm	1
	623A	21 7/16 in / 545 mm	1
	623B	21 5/16 in / 542 mm FRONT RIGHT	1
	J04	BOTTOM DOOR ROLLER	4

GRAPHIC	PART NAME	SIZE/LOCATION	QUANTITY
	J08A	DOOR	4
	Z01	M4*30 SCREWS FOR DOORS	17
	ML01/S04	M6*10	30
	ML01/S02	M6*20	4
	L21	95 1/2 in / 2425 mm	1
	J07	L21 ENDCAP	2
	L28	22 in / 558 mm FRONT RIGHT	2
	W04	CONNECTOR BRACKET	1
	W02-T	DOOR FRAME	2
	Y3-1	UPPER ROOF PANEL	1
	Y3-2	UPPER ROOF PANEL	1
	Y5	DOOR PANELS	4
	1/4 DB	1/4 DRILL BIT	1

PARTS LIST FOR GRA-ASC-BD

# Grandio Greenhouse Limited Lifetime Warranty

1. Grandio Greenhouses are warranted to the original purchaser to be free from defects in material or workmanship for ten years from the date of original retail purchase on all plastic panels. Additionally the aluminium frame is warranted for life. The word “defects” is defined as imperfections that impair the use of the product.
2. Defects resulting from misuse, abuse or negligence will void this warranty. This warranty does not cover defects due to improper installation, alteration or accident. This warranty does not cover damage caused by vandalism, rusting, “acts of nature” or any other event beyond the control of the manufacturer.
3. This warranty is nontransferable and is expressly limited to the repair or replacement of defective product if the product is defective within the terms of this warranty, Grandio Greenhouses will repair or replace defective parts at no cost to the purchaser. Shipping charges to and from the factory or distribution center are not covered and are the responsibility of the purchaser. Labor charges and related expenses for removal, installation or replacement of the greenhouse or its components are not covered under this warranty.
4. This warranty does not cover scratching or scuffing of the product that may result from normal usage. In addition, defects resulting from intentional damage, negligence, unreasonable use will void this warranty.
5. Liability for incidental or consequential damages is excluded to the extent permitted by law. While every attempt is made to embody the highest degree of safety in all equipment, freedom from injury cannot be guaranteed. The user assumes all risk of injury resulting from the use of this product. All merchandise is sold on this condition, and no representative of the company may waive or change this policy.
6. This product is not intended for institutional or commercial use; Grandio Greenhouses does not assume any liability for such use.
7. This warranty is expressly in lieu of all other warranties, expressed or implied, including warranties of merchantability for use to extent permitted by Federal and State Law. Neither Grandio Greenhouses nor any representative assumes any other liability in connection with this product. This warranty gives you specific legal rights, and you may also have other rights that vary from state to state.





# GRANDIO

G R E E N H O U S E S

**2015 Grandio Ascent 8x12, 8x16, 8x20 & 8x24 Models**

**GREENHOUSE USER MANUAL  
KEEP IN A SAFE PLACE FOR REFERENCE**

CONTACT US IF YOU NEED HELP  
OR  
HAVE MISSING OR DAMAGED PARTS

**GRANDIOGREENHOUSES.COM**

**BACKYARD LIVING SOURCE, INC.  
9543 W. EMERALD ST., SUITE 101  
BOISE, ID 83704  
1-866-448-8231**