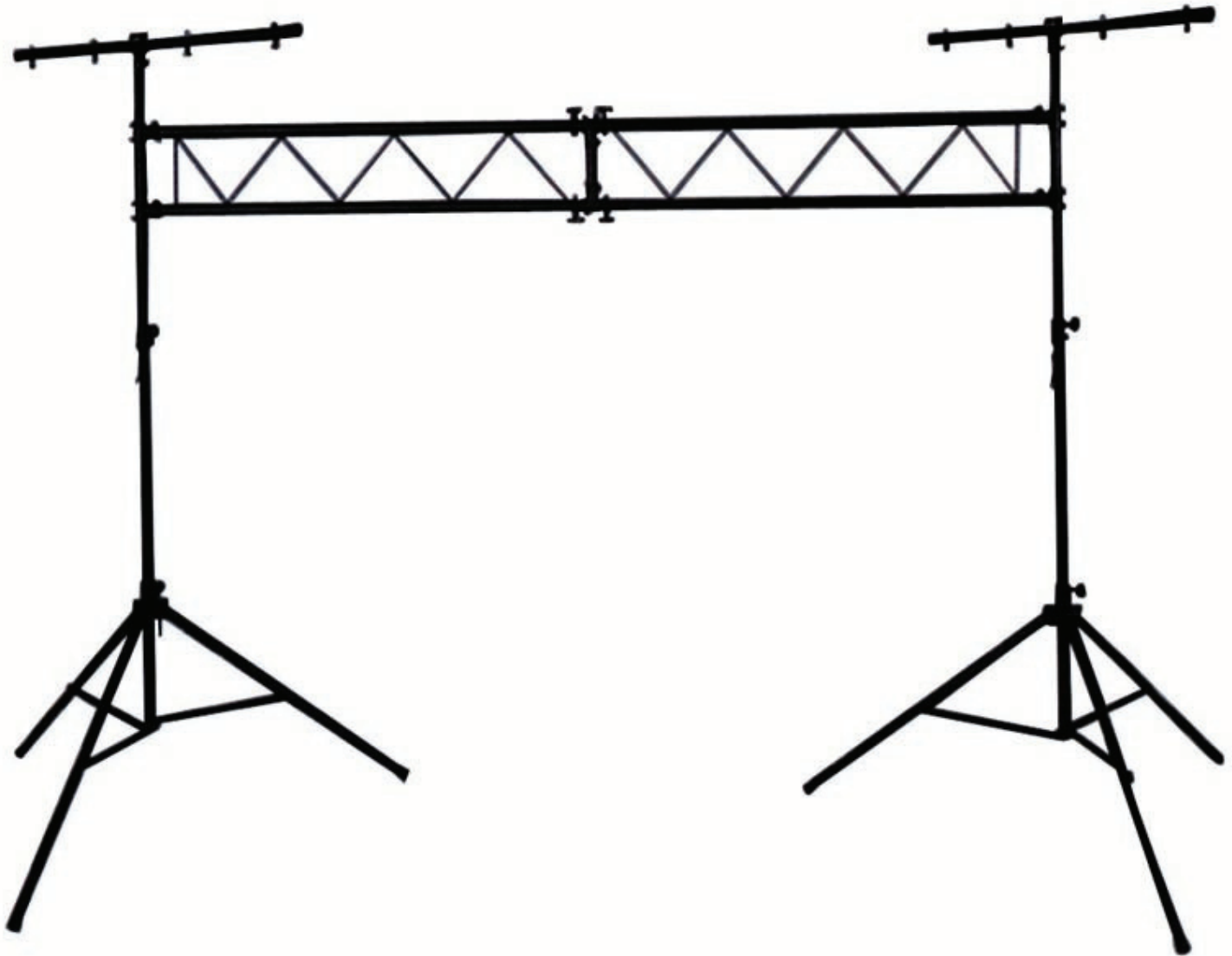
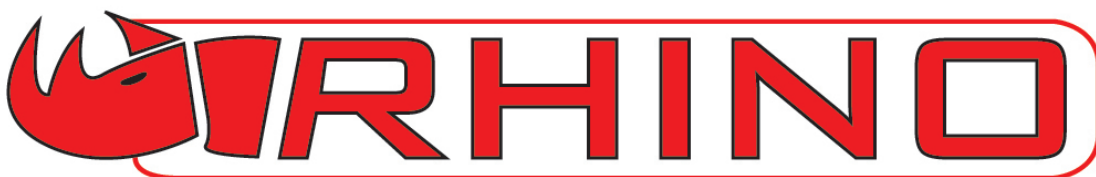


LG 350 Truss Stand



Order code: TRUS01



www.prolight.co.uk

LG 350 Safety Instructions

WARNING

**FOR YOUR OWN SAFETY, PLEASE READ THIS USER MANUAL CAREFULLY
BEFORE INITIAL SET-UP!**



DANGER TO LIFE!!

**Please consider sufficient stability during the installation!
The area below the stand and/or its load
always has to be blocked!**



Note: Every person involved with the installation, operation & maintenance of this stand should:

- Be competent
- Follow the instructions of this manual

Introduction:

Unpack your stand.

Before you initially set-up, please make sure that there is no damage caused by transportation. Should there be any consult your dealer and do not use the stand.

SAFETY INSTRUCTIONS

This stand has left our premises in perfect condition. In order to maintain this condition and to ensure a safe operation, it is necessary for the user to follow the safety instructions and warning notes written in this user manual.

IMPORTANT: Damages caused by the disregard of this user manual are not subject to warranty. The dealer will not accept liability for any resulting defects or problems.

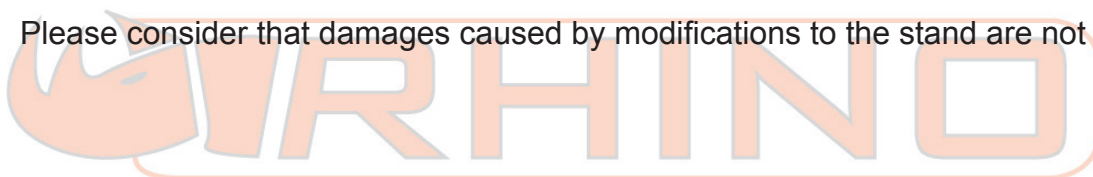
When using stands under the influence of horizontal forces, e.g. wind, the standing safety can be impaired. This is why additional safety measures like attaching ballast weights have to be taken.

If inclined tension cables or prolonged outriggers are used, the area of the danger has to be marked or even blocked.

Before lifting or lowering the telescopic tubes, you must always block a safety area around the stand. This safety area must have a diameter of 1.5 times the maximum height.

Lifted telescopic tubes always have to be secured with a secondary securing point.

Please consider that damages caused by modifications to the stand are not subject to warranty.



LG 350 Operating Determinations

Operating Determinations:

This lighting stand is for installing e.g. spots or lighting equipment. The carrying capacity of the complete system must not exceed 40Kg evenly distributed.

This stand is designed for professional use e.g. on stages, in discoteques and theatres etc.

Stands and their loads have to be secured against unintended movements.

When choosing the installation point, please make sure that the stand is to be installed in a way that no person can enter the area below the stand or its load! Make sure that the respective area is blocked.

An unintended movement of the load has to be avoided.

Stands have to be operated by trained persons. The local conditions have to be considered in terms of safety rules.

When people are located below the load, all necessary safety measures have to be taken in order to avoid injury.

Never install any objects offering a large surface for wind (e.g. banners, signs, etc.).

The loads have to be installed in a balanced way.

Always fix the fixtures with appropriate safety wires.

If the telescopic tube of the stand will be lifted with installed loads, the maximum lifting height of the tube must not be exceeded.

Operate the stand only after having familiarised yourself with its functions. Do not permit operation by persons not qualified for operating the stand. Most damages are the result of unprofessional operation.

The stand must never be moved before having lowered all telescopic tubes!

Please use the original packaging if the stand is being transported.

Please consider that unauthorised modifications of the stand are forbidden due to safety reasons.

If this stand will be operated in any way different to the one described in this manual, the product may suffer damages and the guarantee then becomes void.

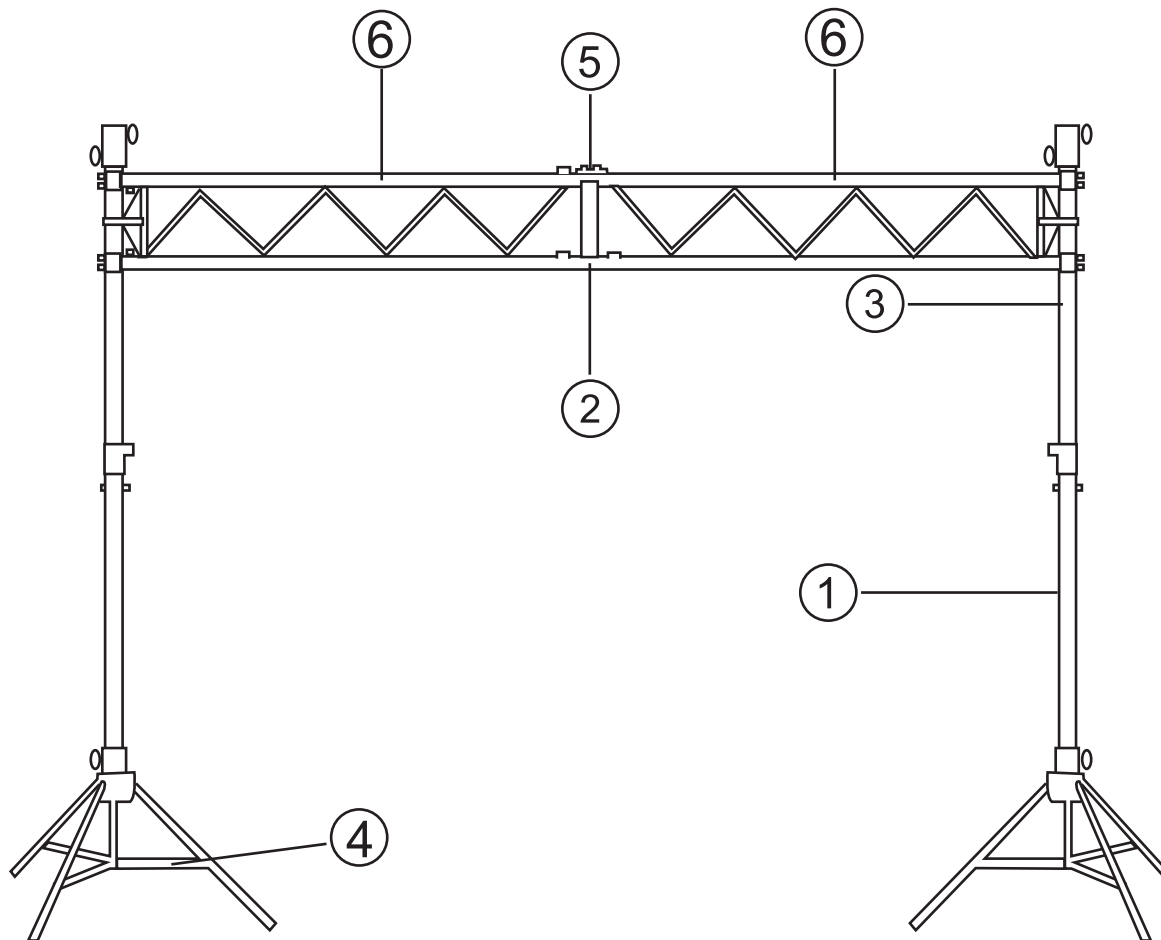


LG 350 Delivery

Delivery Includes:

- 2 x Stands
- 2 x Telescopic tubes
- 6 x T-pieces
- 1 x Set of bolts
- 2 x Cross sections
- 1 x Centre strut
- 2 x Connectors
- 1 x Set of trussing bolts (M10) with nuts

Stand Overview:



- 1, Stand
- 2, Cross section
- 3, Telescopic tube
- 4, Legs
- 5, Centre strut
- 6, Cross section



LG 350 Installation

IMPORTANT!! OVERHEAD RIGGING REQUIRES EXTENSIVE EXPERIANCE, including (but not limited to) calculating working load limits, installation material being used, and periodic safety inspection of all installation material and the loads. If you lack these qualifications, do not attempt the installation yourself, but instead use a professional structural rigger. Improper installation can result in bodily injury and/or damage to property.

The stand has to be installed out of the reach of people.

Loosen the fixation knob of the legs. Pull the legs out until they stand at a 45° angle to the vertical tube. Then tighten the fixation knob of the legs.

Insert the telescopic tube into the stand tube and adjust the minimum height so that the highest hole of the telescopic tube is in line with the highest hole of the stand tube. Insert the safety pin as a secondary securing into the highest hole of the stand tube.

We recommend to carry out the following installation steps with at least one other person.

Installation of the cross section:

Between the two cross sections, the centre strut has to be installed via the two connectors. For doing so, please insert the two connectors into the first cross section and fix them with the trussing bolts. Install the two T-pieces at the top and bottom end of the centre strut and install them on the cross section. Insert the connectors into the second cross section and fix them with the trussing bolts. Centre the centre strut and tighten the screws.

Install two T-pieces at the outer ends of the two cross sections.

Install the cross section on the two telescopic tubes and tighten the bolts.

Installation of the Luminaries:

CAUTION: The loads have to be installed in a balanced way.

CAUTION: The carrying capacity of the complete system must never exceed 40Kg!

Install the fixtures on the crossbeam and always install a safety wire that can hold at least 10 times the weight of the fixture. Pull the safety-rope through the hole in the mounting-bracket and over the crossbeam. Insert the end in the carabine and tighten the fixation bolt.

In order to adjust the stand height, loosen the fixation knob of the individual telescopic tube and pull it out carefully. Make sure that the maximum lifting height of the tube is never exceeded. Make sure that the hole in the telescopic tube is always in line with the highest hole of the stand tube. As soon as you have reached the desired height, tighten the fixation knob. Insert the safety pin as a secondary securing into the highest hole of the stand tube.



DANGER TO LIFE!!
Before operation for the first time, the installation has to be approved by an expert!



LG 350 Cleaning & Maintenance

Cleaning and maintenance:

The operator has to make sure that the safety-relating and machine technical installations are inspected by an expert after every four years in the course of an acceptance test.

The operator has to make sure the safety-relating and machine technical installations are inspected by a skilled person once a year.

The following points have to be considered during the inspection:

- 1) The standing stability of the stand has to be checked.
- 2) All carrying parts have to be inspected on damages or material fatigue.
- 3) All bolts used for installing the stands or parts of the stands have to be tightly connected and must not be corroded.
- 4) There must not be any deformations on housing's, fixation and installation spots.

We recommend a frequent cleaning of the stand. Please use a moist, lint-free cloth. Never use alcohol or solvents!

Maintenance and service operations are only to be carried out by an authorised dealers.

Should you need any spare parts, please use genuine parts.

Should you have any further questions, please contact your dealer.

Technical specifications:

Max. carrying capacity/stand.....	25Kg
Max. carrying capacity/complete system.....	40Kg
Minimum height.....	1.7M
Maximum height.....	2.8M
Maximum elevation.....	1.1M
Weight/stand.....	7.5Kg
Weight/crosssection.....	10.5Kg
Weight/complete system.....	21Kg