



--Slim USB External Floppy Disk Drive--



## Slim USB External Floppy Disk Drive

### USER MANUAL



--Slim USB External Floppy Disk Drive--

## ~TABLE OF CONTENTS~

<b>1. CAUTION</b>	-----3
<b>2. BEFORE USING</b>	-----4
<b>2.1 <u>Verify All the Accessories</u></b>	
<b>2.2 <u>Part Names and Functions</u></b>	
<b>2.3 <u>Verification of hardware requirement</u></b>	
<b>3. PREPARATION TO USE</b>	-----8
<b>4. SPECIFICATION</b>	-----9
<b>5. CONCERNING REPAIR</b>	-----11
<b>6. MEMO</b>	-----12



--Slim USB External Floppy Disk Drive--

# 1.

## CAUTION

- This drive device and user manual are reserved. Therefore, portion or all of this product and this user manual is prohibited duplicated, reproducing or reprints or alters with no permission.
- When the contents modifies of the drive and user manual, it will not noticed for improving.
- Concerning the contents of this product and this user manual, if any doubtful point or problem, please contact with our technical supporting center or the sale distributors.
- This drive only supports reproducing on the purpose of backup possession instead of illegal use.



--Slim USB External Floppy Disk Drive--

## 2.

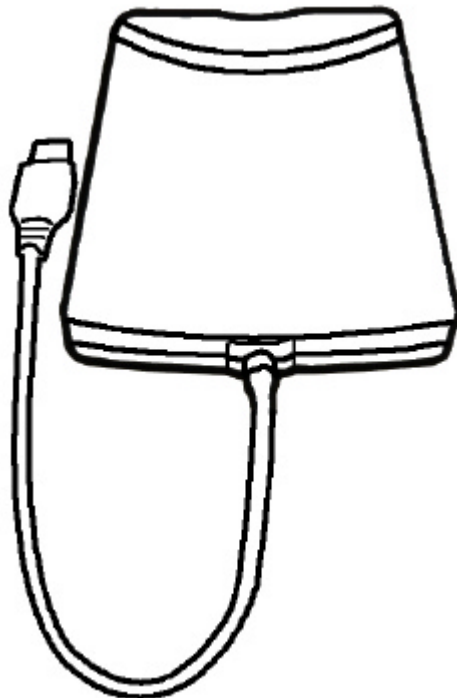
## **BEFORE USING**

### **2.1 Verify All the Accessories**

Please verify every accessories are in the box before using, if you find some short supplied, please inform to our supporting center or the sale distributors.

There are the accessories as following:

- **Floppy Disk Drive**





--Slim USB External Floppy Disk Drive--

- **Driver and User Manual for the USB Floppy Disk Drive**

Please read the user manual before using the drive appropriate.



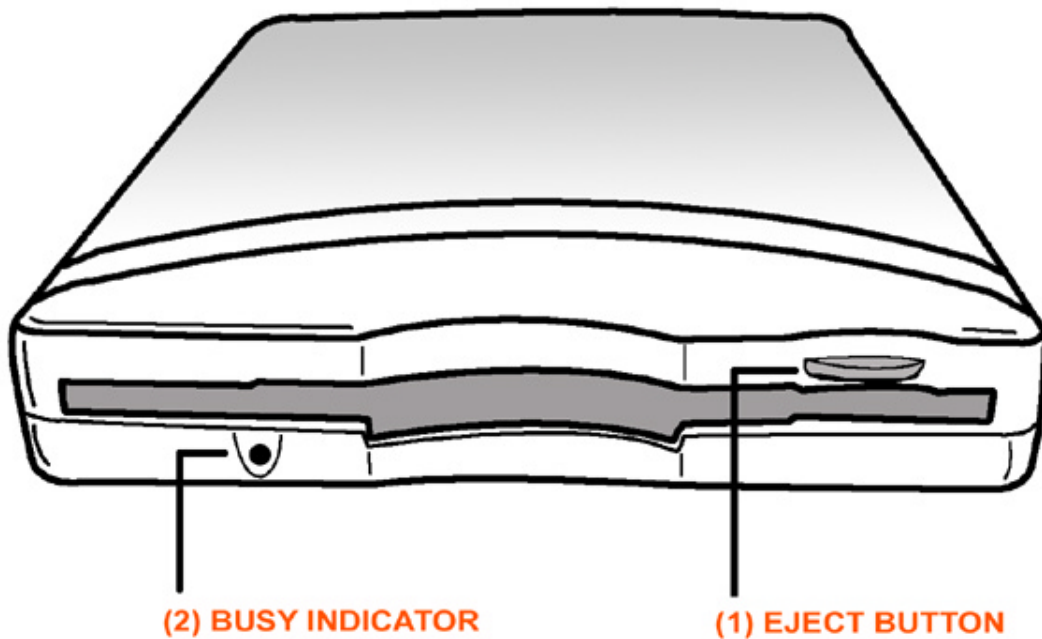


--Slim USB External Floppy Disk Drive--

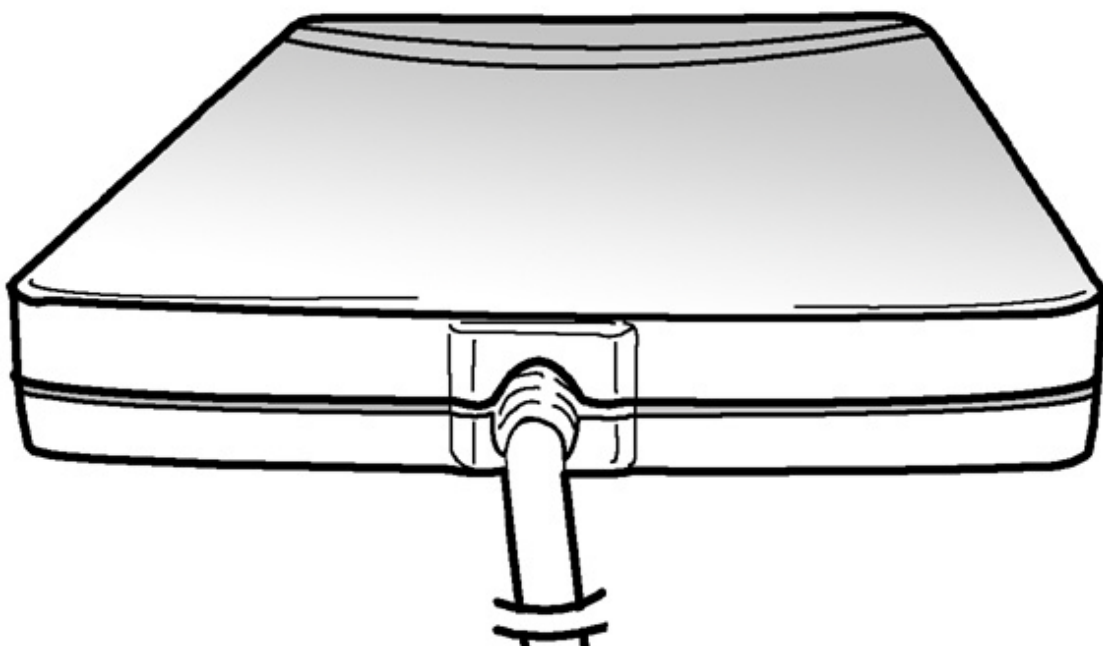
## **2.2 Part Names and Functions**

The section and description of functions of the drive

### ● **Front View**



### ● **Rear View**





--Slim USB External Floppy Disk Drive--

## ● Functions Description

### (1) Eject Button

This button is pressed to eject the floppy disk.

### (2) Busy Indicator

This indicator lights amber while data is being read and written.

## **2.3 Verification of Hardware Requirement**

### **Application Medias**

#### **- Supported Floppy Disk**

##### **2HD**

1.44MB (512byte x 18 sector x 80track): Macintosh, Windows

1.25MB (1024byte x 8sector x 77track): Windows

##### **2DD**

720KB (512byte x 9sector x 80track): Windows



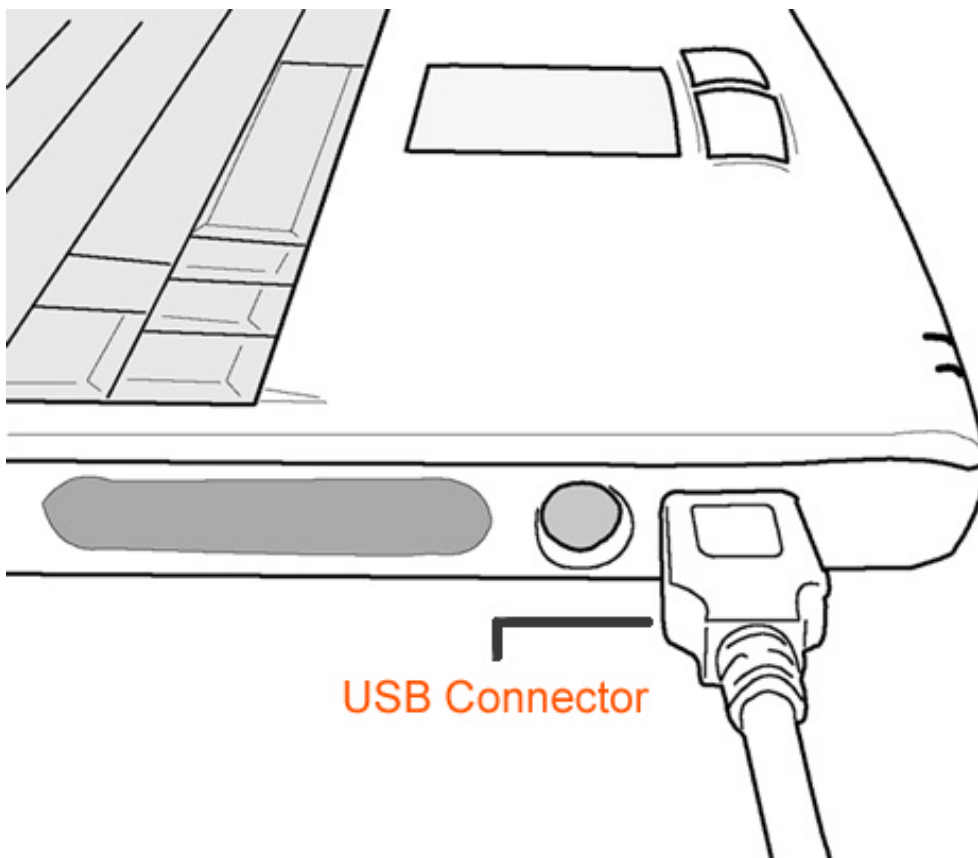
--Slim USB External Floppy Disk Drive--

# 3.

## PREPARATION TO USE

### 3.1 Connecting to your computer

Before use the drive with your computer, please check the connecting is correct:







--Slim USB External Floppy Disk Drive--

# 4.

## SPECIFICATION

### 4.1 Floppy Disk Drive:

GERNERAL	
<b>Interface</b>	USB 1.1, A type; USB 2.0 compatible
<b>USB Transfer Rate</b>	5MB/sec (Max)
<b>Voltage</b>	DC +5V + - 5%, 500mA (*No necessity of adapter; Power from the USB interface)
<b>Dimension</b>	103 + - 1 x 17 + - 1 x 149 + - 1 mm (WxHxD)
<b>Weight</b>	287g
<b>Environment Temperature</b>	5 C ~ 35 C
<b>Humidity</b>	20% ~ 80% (No Condensation)
<b>Supported Operating System (Versions)</b>	<p><b>Macintosh</b> MacOS8.6, MacOS9.0, MacOS9.0.2, MacOS9.0.4, MacOS9.1</p> <p><b>Windows</b> Windows 95, Windows 98SE, Windows 2000 Professional, Windows ME, Windows XP Home Edition/Professional, Windows NT4.0 (Optional)</p>
<b>Supported Floppy Disk Format</b>	<p><b>2HD</b> 1.44MB (512byte x 18 sector x 80track): Macintosh, Windows</p> <p>1.25MB (1024byte x 8sector x 77track): Windows</p> <p><b>2DD</b> 720KB (512byte x 9sector x 80track): Windows</p>



--Slim USB External Floppy Disk Drive--

<b>RELIABILITY</b>	
<b>Drive Life</b>	30,000 (8 hours/day) POH or 5Years
<b>Soft Error Rate</b>	(Recoverable) 10-9 (One and two retries not included) Time/bit
<b>Hard Error Rate</b>	(Unrecoverable) 10-12 Time/bit
<b>Seek Error Rate</b>	10-6 Time/seek
<b>Number of Medium Drive Loading</b>	15,000 or more Times



--Slim USB External Floppy Disk Drive--

# 5.

## **CONCERNING REPAIR**

### **5.1 Before the Repairing, Please Note the Following**

- Mention the contents under your Address, Name, contact number which you can communicate and every accessories you returned.
- Please review in case of breakdown and make a reference note of what supposed to be the defect
- In order to prevent the damage or loss when transporting, please package the box strictly

### **5.2 Where to Return?**

Please contact the distributor or service center that you bought from and return the defective units back:

#### ***Address of Service Center or Distributor:***



--Slim USB External Floppy Disk Drive--

**6.**

**MEMO**