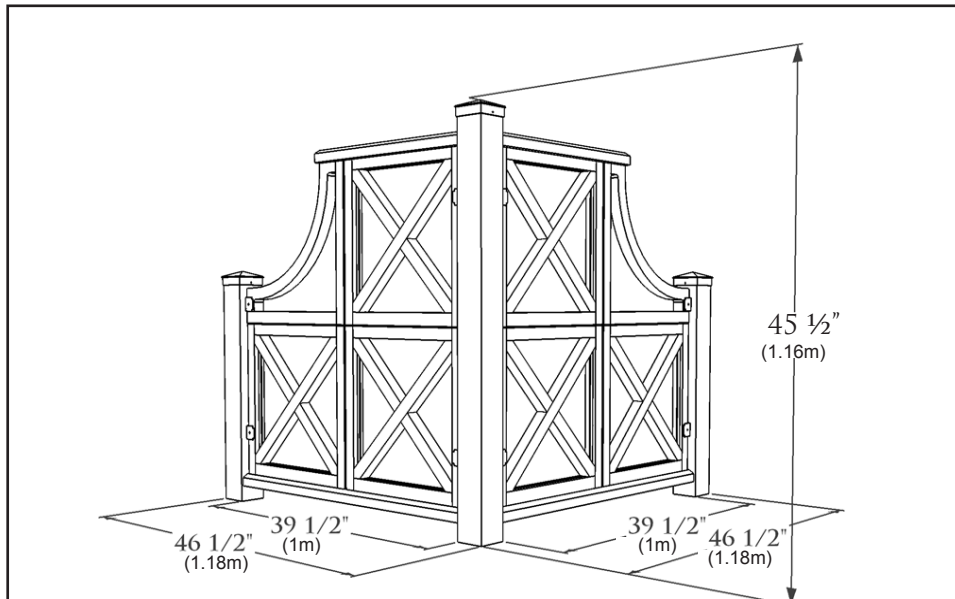


INSTALLATION MANUAL -G009 CORNER ACCENT

YM11539



Revised 08/24/2011

Yardistry Ltd.

Mount Forest, ON Canada N0G 2L1

Toll Free Customer Support: 1.888.509.4382

info@yardistrystructures.com

www.yardistrystructures.com

!IMPORTANT SAFETY NOTICE!

- Yardistry components are intended for privacy, decorative and ornamental use only. **Product is NOT INTENDED for the following:**
 - A safety barrier to prevent unsupervised access to pools, hot tubs, spas, or ponds.
 - Safety railings for elevated platforms or decks.
 - As load bearing support for a building, structure, heavy objects or swings. - Used in structures that trap wind, rain or snow that would create extra load on the product.
- **Permanent structures may require a building permit.** As the purchaser and or installer of this product you are advised to consult local planning, zoning, and building inspection departments for guidance on applicable building codes and or zoning requirements.
- **Wood is NOT flame retardant and will burn.** Grills, fire pits and chimneys are a fire hazard if placed too close to a Yardistry structure. Consult user's manual of the grill, fire pit or chimney for safe distances from combustible materials.
- **During installation, follow all safety warnings provided with your tools and use OSHA approved safety glasses.**
- **Some structures may require two or more people to install safely. Check for underground utilities before digging or driving stakes into the ground!**

General Information: Wood components are manufactured with Cedar (C. Lanceolata) which is protected with factory applied water-based stain. Knots, small checks (cracks) and weathering are naturally occurring and do not affect the strength of the product. Annual application of a water-based water repellent sealant or stain will help reduce weathering and checks.

Warranty: Yardistry Limited products are backed by a 5 year limited lifetime warranty from the date of original retail purchase for manufacturing defects and if installed as per manufacturer's installation instructions.

Patents Pending

Tools Required

- | | | |
|------------------------------|--|------------------|
| • Tape Measure | • #2 Phillips or Robertson Bits or Screwdriver | • Safety Glasses |
| • Carpenters Level | • 1/8" Drill Bit | • Adult Helpers |
| • Carpenters Square | • Pencil | |
| • Standard or Cordless Drill | • 8' Step Ladder | |

Keys To Assemble Success

This identifies information that requires special attention. Improper assembly could lead to an unsafe or dangerous condition.



Use Help



Use Help



Where this is shown, 2 or 3 people are required to safely complete the step. To avoid injury or damage to the assembly make sure to get help!

Measure Distance



Check that assembly is square before tightening bolts.

Square Assembly



Use a measuring tape to assure proper location.

Check that set or assembly is properly level before proceeding.

Use Level



Pre-drill 1/8" & 3/16" Bit



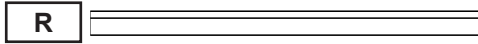
Pre-drill a pilot hole before fastening screw or lag to prevent splitting of wood.

Tighten Bolts



This indicates time to tighten bolts, but not too tight! Do not crush the wood. This may create splinters and cause structural damage.

MATERIAL LIST



Top and Bottom Rail -2x 3' 3 1/2" (1M) and 2x 2' 2 3/4" (67.9CM)



4x4 Posts - 1x 45" (1.16m) and 2x 31 1/4" (0.79m)

S4



#8 x 2 1/4" Wood Screw

S5

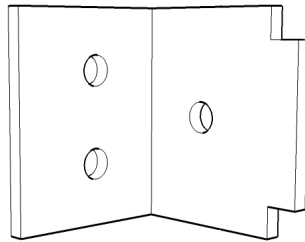


#10 x 1" Pan Head Screw

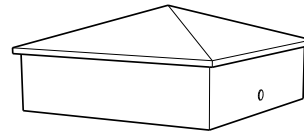
S7



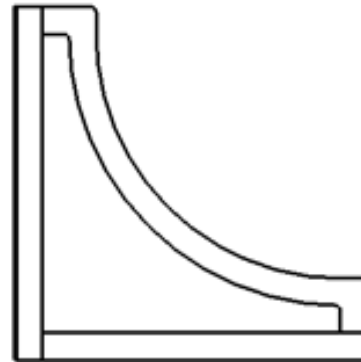
#8 x 1 1/2" Wood Screw



(8) Panel Clips

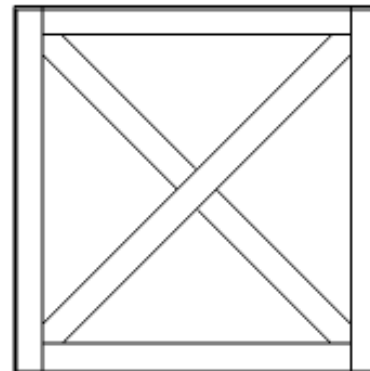


(3) Post Caps



PA1 (2) Arch Topper

PX1



(6) One High X Topper

STEP 1- ASSEMBLE PANELS

1. Assemble panel in configuration shown. (Fig. 1) Secure with 2 1/4" screws provided in the direction and location of the arrows. Use pre-drilled holes when available. When pre-drilled holes are not available use a 1/8" Drill Bit to drill holes on an angle in the inside of the panel as shown. (Fig. F)

***Ensure Panels are right side up! (Fig. 1A)**

2. Repeat until two panel assemblies are created.

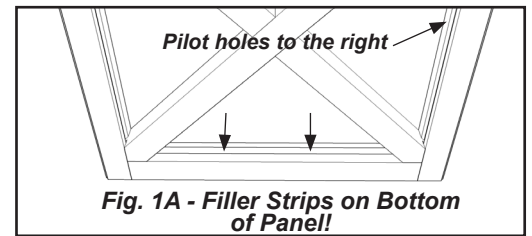
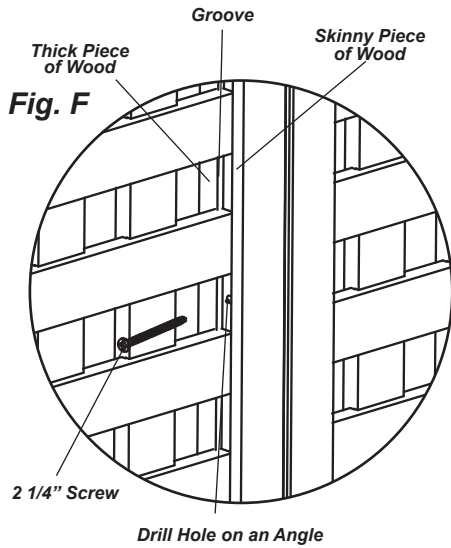
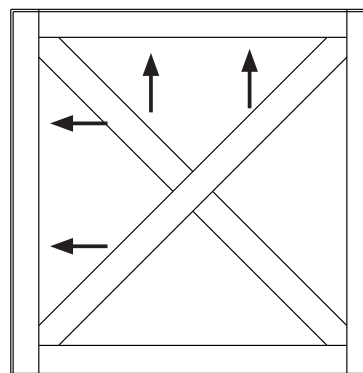
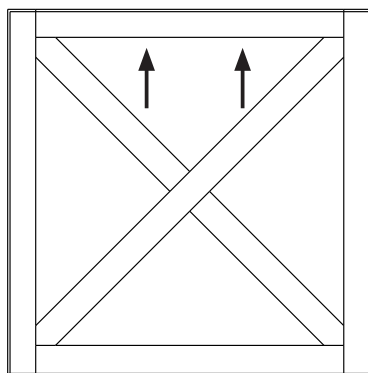
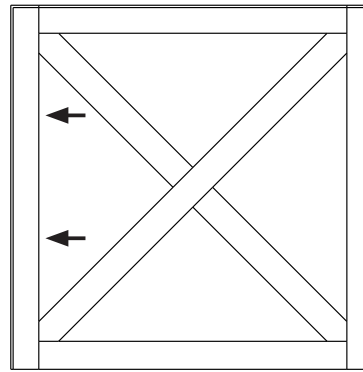
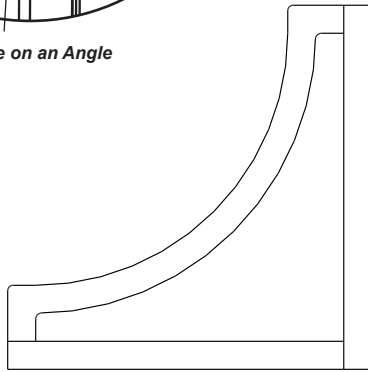


Fig. 1



x2

2X PX1 ONE ARCH TOPPER

16X S #8- 2 1/4" WOOD SCREWS

6X PX1 ONE HIGH X PANEL

STEP 2- ASSEMBLE SIDE WALL



1. Secure R-Top and Bottom Rails to Panel Assembly with S4 - 2 1/4" Wood Screws locations indicated by arrows in the direction of the arrow. (Fig. 2)

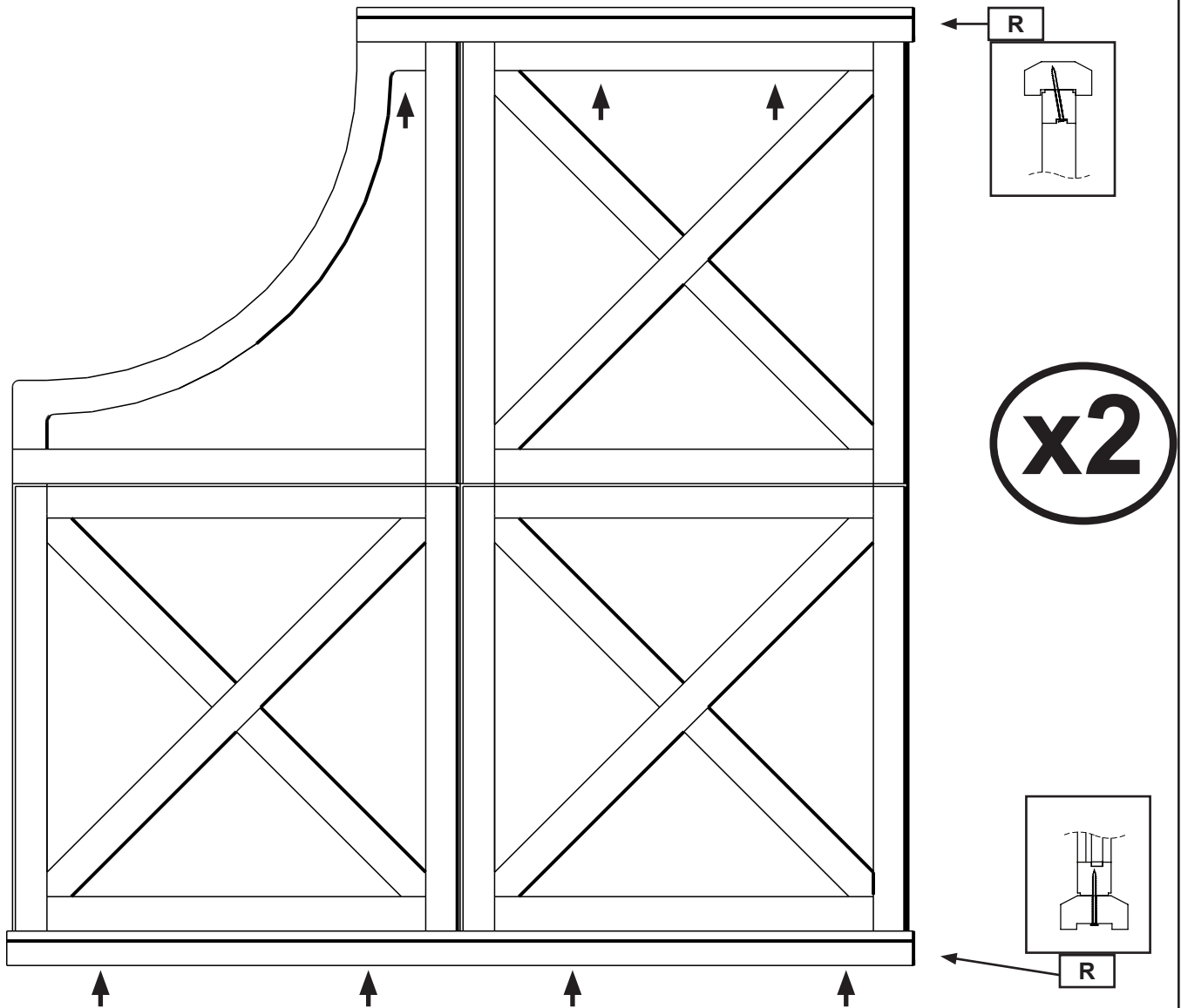
***R- Top and Bottom Rails will overhang 1/4" on either side of panel. *Except with Arch Topper!**

***R- Top and Bottom Rails may need to be cut to size indicated in material list below.**

(It is recommended to use a Mitre Box or Mitre Saw)

2. Repeat to create two walls.

Fig. 2

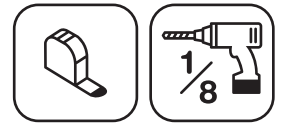


2X **R** TOP & BOTTOM RAIL AT 3' 3 1/2" (1M)

14X **S4** #8- 2 1/4" WOOD SCREWS

2X **R** TOP & BOTTOM RAIL AT 2' 2 3/4" (67.9CM)

STEP 3- ATTACH PANEL CLIPS FOR SIDE WALLS



1. On a flat surface place P- 4x4 Post on its side and position Panel Clips in locations indicated in Figures 1 and 1A. **Ensure Panel Clips are oriented as shown in Diagrams!**
2. Panel Clips should be placed in the centre of the post or the leading edge of the clip should be 1 3/8" or 3.49cm away from the side of the post as shown in Fig. 2.
3. With Panel Clips in place, mark screw holes with a pencil and pre-drill holes with a 1/8" drill bit. (Not provided)
4. Secure Panel Clips in locations indicated in figure 1 and 1A with S7- #8 x 1 1/2" wood screws.
5. Repeat for each post configuration.

Fig. 2

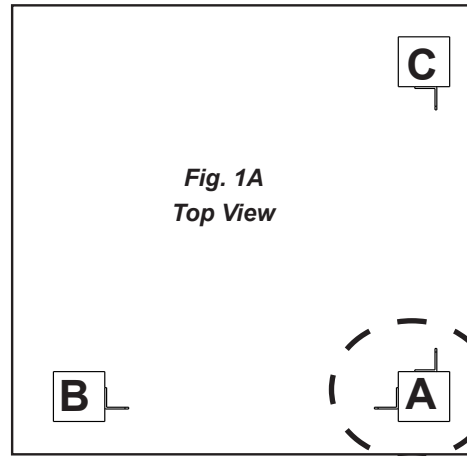
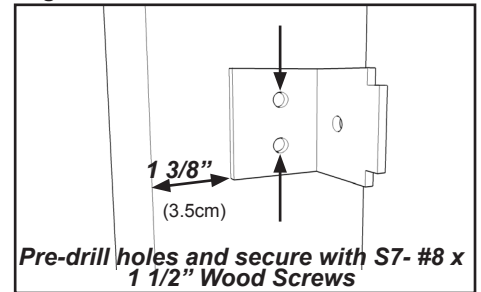


Fig. 1
Front View

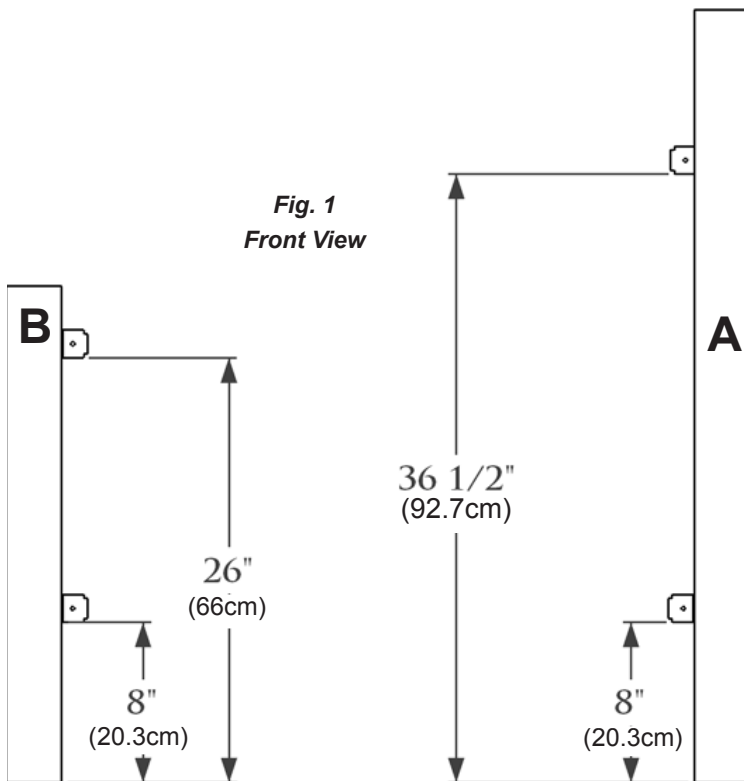
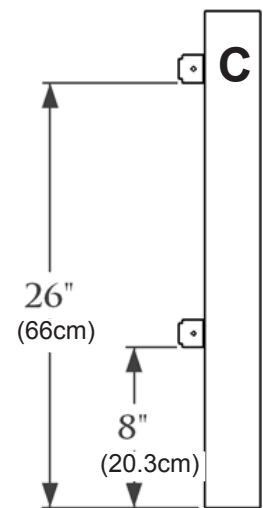


Fig. 1
Side View



2X [P] 4X4 POST AT 31 1/4" (0.79M)

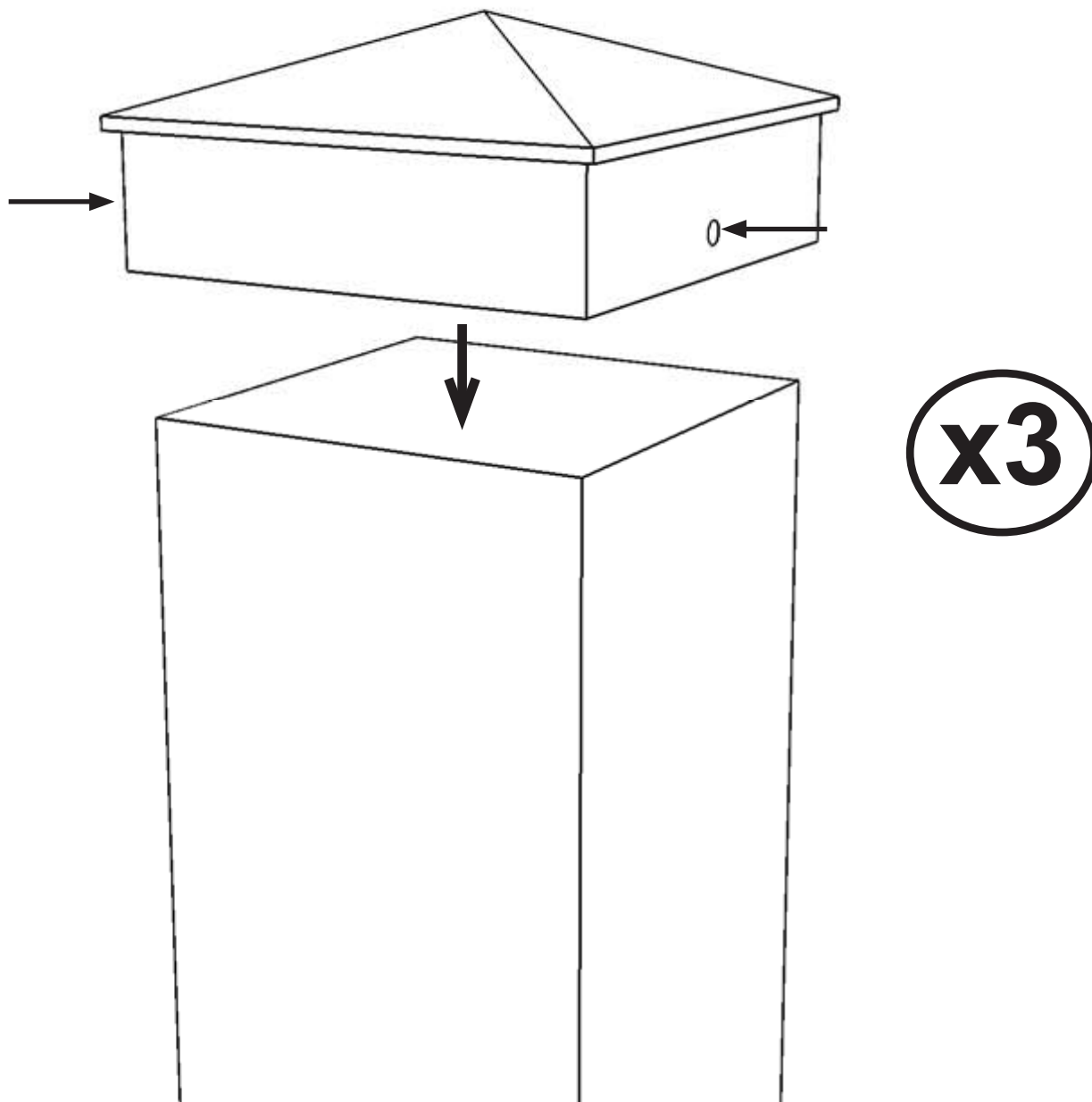
8X - PANEL CLIPS

1X [P] 4X4 POST AT 45" (1.16M)


16X (S7) #8 X 1 1/2" WOOD SCREW

STEP 4- ATTACHING POST CAPS

1. Place a Post Cap on each 4x4 Post
2. Secure Post Cap with 2 S7- #8- 1 1/2" Wood Screws



3X POST CAPS

6X  #8- 1 1/2" WOOD SCREWS

STEP 5- ATTACH WINGS TO POSTS



1. Place panel assemblies on posts as shown (Fig.1) allowing a 2" gap between the bottom of the post and the bottom edge of the bottom rail on the panel assembly. **Note: Assemble with the help of another adult!**
2. With a 1/8" drill bit, predrill holes as shown in figure 2.
3. Fasten the panel assemblies to the post and Panel Clips with a S5- 1" Pan Head Screw provided in location of circles. (Fig. 1)

***Posts must be securely installed to support structure. Consult local building codes and ground conditions for required footing design. It is recommended the structure be secured to existing stone, concrete or deck.**

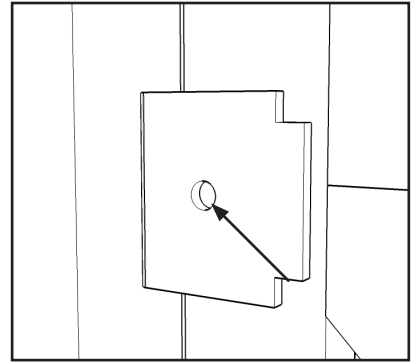
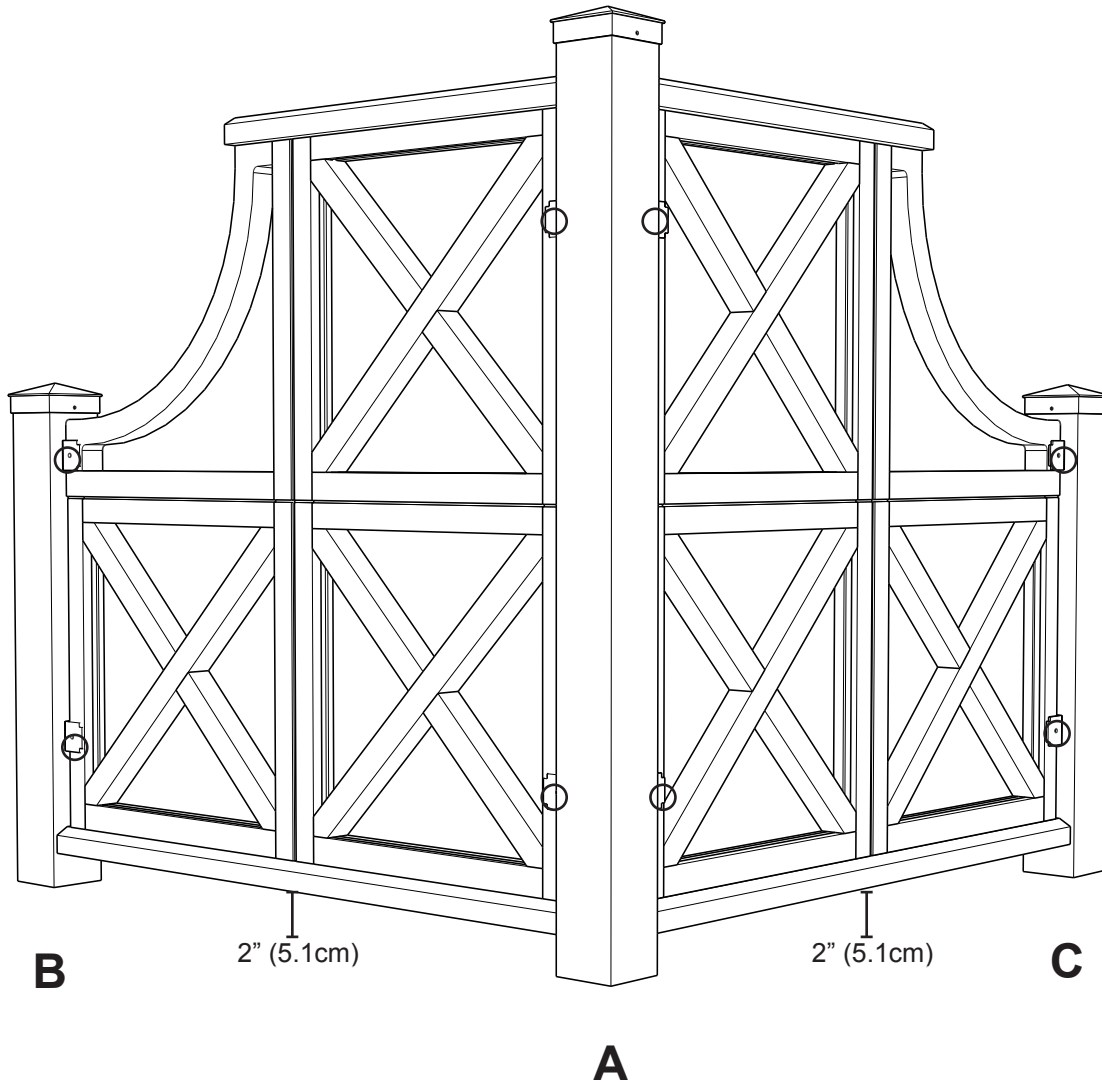



Fig. 2. Predrill Holes and Fasten with S5- 1" Pan Head Screw

Fig. 1



8X  #10 x 1" PAN SCREWS