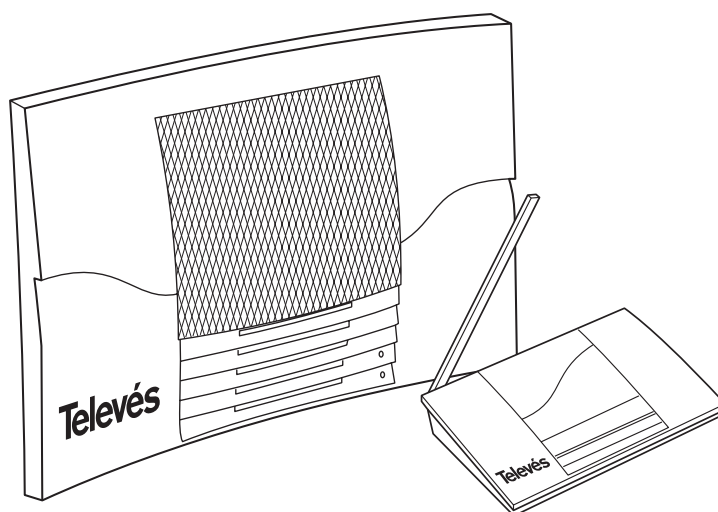


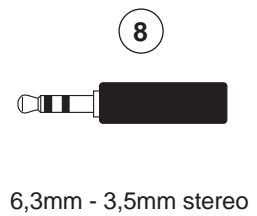
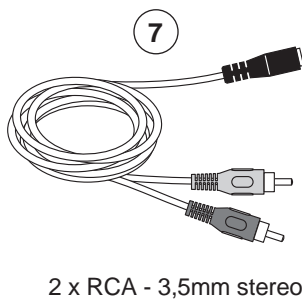
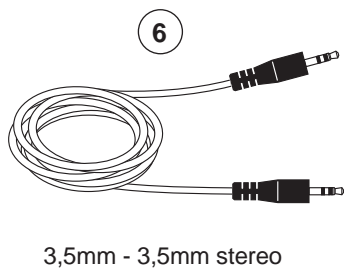
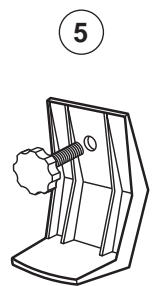
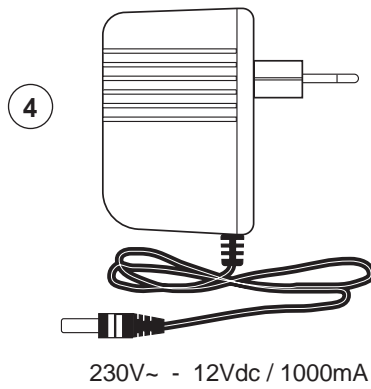
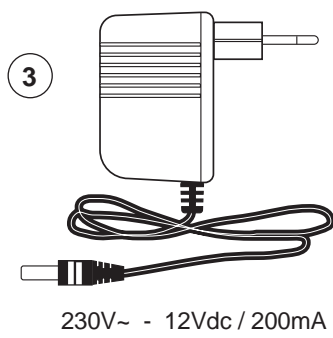
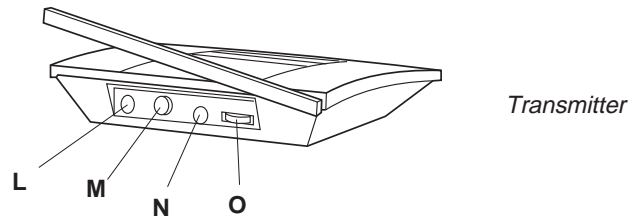
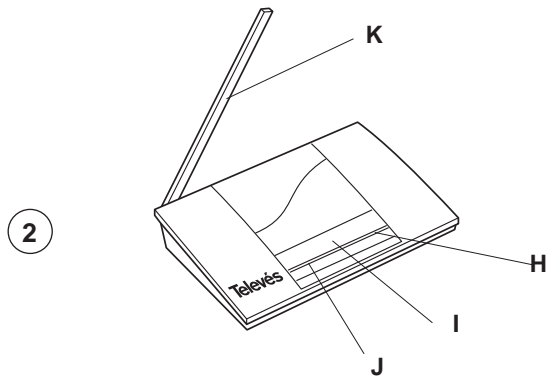
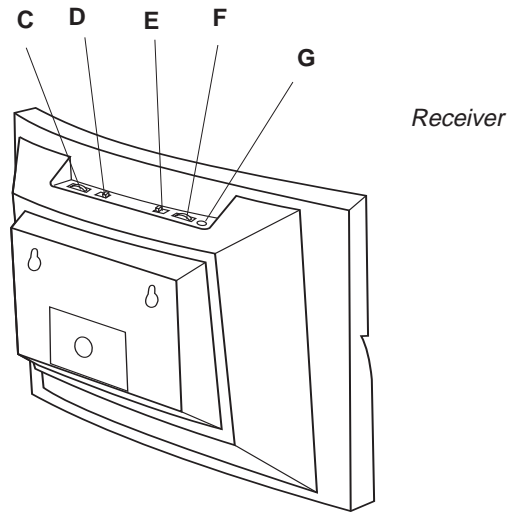
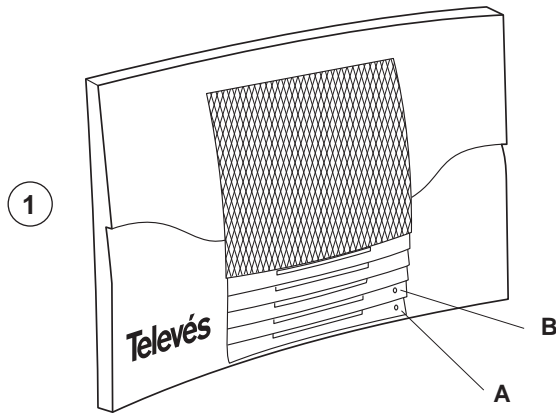
Televés

Digidom Audio Ymersion*

Ref. 7316

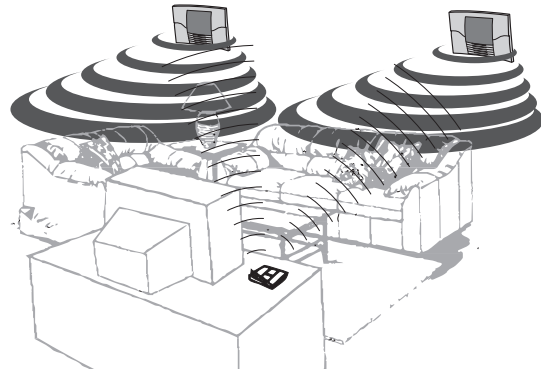


User manual



RF wireless loudspeaker system that offers complete freedom to place the loudspeakers wherever you wish, as they do not have to be connected directly to the amplifier (or any other audio output).

You can use as many loudspeakers as you wish ref. 7319. Each loudspeaker has a separate volume control.



Features

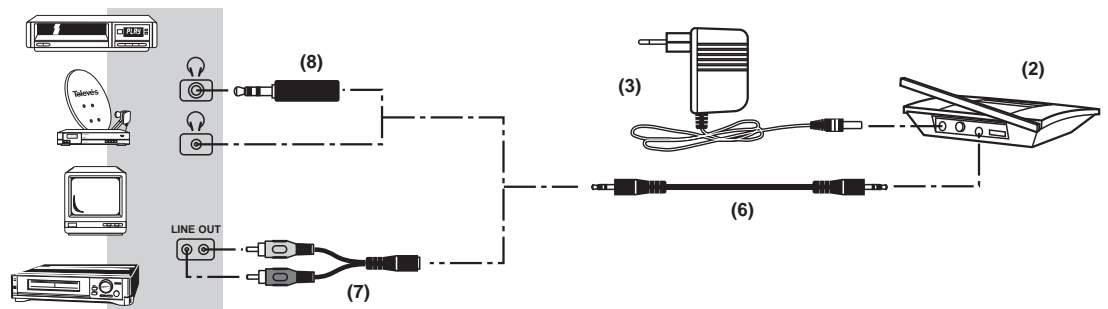
- Wireless (RF) transmission that avoids the inconveniences and restrictions due to cables, ensuring a clear, interference-free reception, even through walls, ceilings, doors and windows.
- Wide coverage area that can receive well at a distance of up to 100m. in ideal conditions.
- Ymersion* system 3D surround sound technology.
- Compact transmitter, designed to occupy a minimum amount of room.
- Output level 50W + 50W (P.M.P.O.), ideal for stereo hi-fi equipment, TV, VCR, SAT receivers, etc.
- Can be mounted on walls or other surfaces allowing you to place the loudspeakers nearly anywhere in the house.
- Table mount that is shock-absorbent, thus avoiding vibrations.
- "Energy saving" mode that disconnects the transmitter if the signal source is not active for more than 3 minutes.

**Ymersion" & "Ymersion" logo are registered trademarks of Yamaha Corp. Japan

Installation of the Equipment

Transmitter

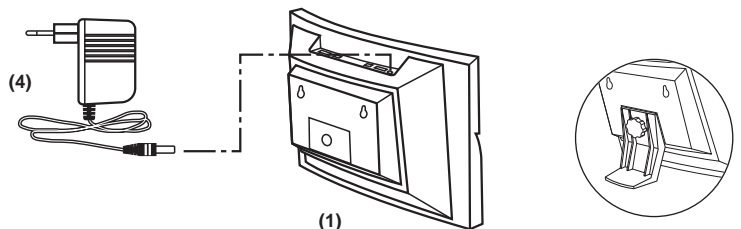
- Connect the audio source (TV, VCR, stereo equipment, etc) to the transmitter's "AUDIO IN" connector (2) via the stereo cable 3.5 mm - 3.5 mm (6), or using the accessories (7, 8) if necessary.
- Plug the jack of the mains (3) to the transmitter's "12 Vdc" connector.
- Plug the adapter (3) into a mains socket.



Receiver

- Connect the jack of the mains (4) to the loudspeaker's "12 Vdc" connector (1).
- Plug the adapter (4) into a mains socket.

It disposes of a table mount (5) so as to be able to place it on a flat surface.



ENGLISH

Using the equipment

- Switch the audio source ON (TV, VCR, stereo equipment, etc) and adjust the volume to the required level.
 - Switch the transmitter ON (2), and the red LED will light up (H).
 - Lift the transmitter's antenna (K) until it is in a straight position (90°).
 - Switch the receiver/loudspeaker ON (1) by moving the switch (E) to the ON position. The red LED will light up (A).
 - Select the channel that is assigned to this speaker (left/right) with the "L/R" switch (D).
 - Adjust the transmission/emission with the "FINE TUNE" control on the transmitter (O) and on the receiver/loudspeaker (C).
 - The green LED (B) will light up when the adjustment of the signal has reached the optimum reception level.
 - Adjust the volume to the desired level using the control (F).
- To activate the Ymersion* three-dimensional surround sound, press the "PUSH" button (I) on the transmitter (you must have two receivers at least).

**Ymersion" & "Ymersion" logo are registered trademarks of Yamaha Corp. Japan

Troubleshooting

Problems	Solutions
- There is no sound / poor sound.	<ul style="list-style-type: none"> - First switch the transmitter ON, and then the receiver. Verify the connection with the audio/video equipment and the connection to the mains. - Check that the audio/video equipment is ON. - If the transmitter is connected to the loudspeaker's jack, increase the volume level on the audio/video equipment. - Put the "FINE TUNE" control in the middle position, then carry out the adjustment on the loudspeaker with the "FINE TUNE" control. - The transmitter is in "Energy saving" mode. Switch this off and switch it back on again. - It is not correctly plugged into the mains. - Check that the transmitter antenna is up.
- Distortion, background noise or impossible to receive the signal.	<ul style="list-style-type: none"> - If the transmitter is connected to the loudspeaker's jack, decrease the volume on the audio/video equipment. Readjust the "FINE TUNE" control on the transmitter and then readjust the receiver until the red LED lights up.

Technical characteristics

- Transmission frequency: 434 MHz
- Frequency margin: 50 Hz - 12 KHz
- Reception distance: 100 m (in optimum conditions)
- Loudspeaker: 75 mm (3") 4Ω.
- Loudspeaker output: efficient 5W. 50W PMPO per channel
- Signal/noise ratio: 55 dB
- Transmitter powering: Adapter 12Vdc / 200 mA (3)
- Receiver powering: Adapter 12Vdc / 1000 mA (4)

Garantía

Televés S.A. ofrece una garantía de 6 meses calculados a partir de la fecha de compra. Conserve la factura de compra para determinar esta fecha.

Durante el período de garantía, Televés S.A. se hace cargo de los fallos producidos por defecto del material o de fabricación. Televés S.A. cumple la garantía reparando o sustituyendo el equipo defectuoso según lo crea conveniente.

No están incluidos en la garantía los daños provocados por uso indebido, desgaste, manipulación por terceros, catástrofes o cualquier causa ajena al control de Televés S.A.

Garantía

Televés S.A. oferece uma garantia de 6 meses calculados a partir da data de compra. Conserve a factura de compra a fim de poder comprovar essa data.

Durante o período de garantia, Televés S.A. assume os encargos inerentes à reparação de avarias provocados por defeito do produto ou fabrico. Televés S.A. cumpre a garantia, reparando ou substituindo o equipamento de acordo com o que entender mais conveniente.

Não se encontram incluídos na garantia os defeitos provocados pela utilização indevida, desgaste, manipulação por terceiros, catástrofes ou qualquer outra causa alheia ao controlo da Televés S.A.

Garantie

Televés S.A. offre une garantie de 6 mois calculée à partir de la date d'achat, c'est pourquoi, il est important de conserver la facture d'achat car elle vous servira de justificatif.

Pendant la période de garantie, Televés S.A. prend à sa charge les failles dues au matériel ou à sa fabrication. Televés S.A. assure la garantie en réparant ou substituant le produit défectueux selon la nécessité.

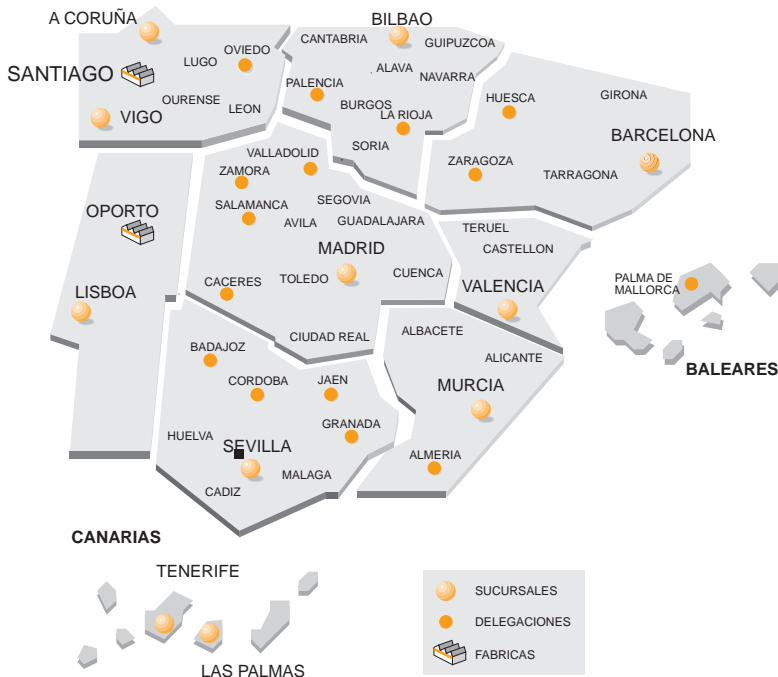
Ne sont pas inclus dans la garantie les failles provoquées par un usage inadéquate, l'usure du produit, la manipulation de tiers, les catastrophes ou d'autres causes que Televés S.A. ne peut contrôler.

Guarantee

Televés S.A. offers a six-month guarantee, beginning from the date of purchase. Retain the receipt to determine this date.

During the guarantee period, Televés S.A. is responsible for the faults produced due to the defects of the equipment or manufacturing. Televés S.A. complies with the guarantee by repairing or substituting the faulty equipment as it believes necessary.

The harm produced by improper usage, wear and tear, manipulation by a third party, catastrophes or any other cause beyond the control of Televés S.A, is not included in the guarantee.



SEDE CENTRAL

SANTIAGO DE COMPOSTELA C.P. 15706
Rúa B. de Conxo, 17
Tfno. 981 52 22 00
Fax 981 52 22 62
Apartado 444

E-mail: televes@televes.com



Empresa colaboradora
XACOBEO'99
Galicia



SUCURSALES

BARCELONA C.P. 08040
C/ Sant Ferrán, 27
Cornellá - Barcelona
Telfs. 93 377 08 62
93 474 29 50
Fax 93 474 50 06
E-mail barcelona@televes.com

BILBAO C.P. 48002
Mendipe 12.
Tfnos. 94 421 50 44 / 443 80 66
Fax 94 444 89 92
bilbao@televes.com

A CORUÑA C.P. 15011
Gregorio Hernández 8.
Tfnos. 981 27 47 31 / 27 22 10
Fax 981 27 16 11
coruna@televes.com

LAS PALMAS C.P. 35006
Gral. Mas de Gaminde 26.
Tfnos. 928 23 11 22 / 23 12 42
Fax 928 23 13 66
laspalmas@televes.com

MADRID C.P. 28005
Paseo de los Pontones 11.
Tfnos. 91 474 52 21 / 474 52 22
Fax 91 474 54 21
madrid@televes.com

MURCIA C.P. 30010
Polígono Conver - C/ Rio Pliego 22.
Tfnos. 968 26 31 44 / 26 31 77
Fax 968 25 25 76
murcia@televes.com

SEVILLA C.P. 41008
Pol. Ind. Store - C/ A-6. Nave 5
Tfnos. 95 443 64 50 / 443 58 00
Fax 95 443 96 93
sevilla@televes.com

TENERIFE C.P. 38108
Avda. El Paso, 25 - Los Majuelos
La Laguna.
Tfnos. 922 31 13 14 / 31 13 16
Fax 922 31 13 33
tenerife@televes.com

VALENCIA C.P. 46021
Avda. del Puerto 21.
Tfnos. 96 337 12 01 / 337 12 72
Fax 96 337 06 98
valencia@televes.com

VIGO C.P. 36204
Escultor Gregorio Fernández, 5
Tfnos. 986 42 33 87 / 42 40 44
Fax 986 42 37 94
vigo@televes.com

DELEGACIONES

ALMERIA C.P. 04008
Campogris 9.
Tfno. 950 23 14 43
Fax 950 23 14 43
comerlum@larural.es

BADAJOS C.P. 06080
Finca Galitón
Valdepasillas.
Tfno. 924 25 50 48 / 970 70 21 93
Fax. 924 25 50 48

BURGOS C.P. 09080
C/ Juan Vazquez 32.
Tfno. 947 22 78 47 / 909 41 91 95
Fax 947 21 07 31

CACERES C.P. 10005
Residencial San Francisco
Blq. 1 1ºD.
Tfno. 927 23 14 56 / 900 40 25 00
Fax. 927 23 17 29

CORDOBA C.P. 14012
C/Sta. Rafaela Mª del
Sagrado Corazon 2.
Tfno. 957 27 09 80 / 919 55 55 73
Fax 957 40 30 44

GRANADA C.P. 18008
C/ Alhami 16. Bajo
Tfno. 958 81 22 81 / 908 95 83 32
Fax 958 81 22 81

JAEN C.P. 23006
García Rebull 7. 4ºB. esc-B.
Tfno. 953 27 44 22 / 908 25 16 00
Fax 953 27 44 22

LA RIOJA C.P. 26004
San Prudencio 19. bajo
Tfno. 941 23 35 24
Fax 941 25 50 78

MALAGA C.P. 29004
Polígono de Santa Barbara
C/ Fidias 13.
Tfno. 95 223 98 81
Fax 95 217 37 30
maxelmal@callsoft.es

NAVARRA C.P. (Pamplona) 31007
Avda. Sancho el Fuerte 9.
Tfno. 948 27 35 10
Fax 948 17 41 49
jazpeitia@cin.es

OVIEDO C.P. 33006
Avda. Buenavista 16.
Tfno. 98 524 43 33
Fax 98 524 41 44

GIRONA C.P. 17190 (Salt)
Ramón Sambola. 9º Ent. 1ª.
Tfno. 972 23 25 43 / 907 23 88 40

PALMA DE MALLORCA C.P. 07007
Ferrer de Pallares 45. bajo D.
Tfno. 971 24 70 02
Fax 971 24 53 42

SALAMANCA
ZAMORA
VALLADOLID C.P. 47008
C/ Arrecife 12.
Tfno. 983 22 36 66
Fax 983 22 36 66

HUESCA
ZARAGOZA C.P. 50002
C/ Monasterio de Alahón 1-3.
Tfno. 976 41 12 73
Fax 976 59 86 86

TELEVES ELECTRONICA PORTUGUESA MAIA - OPORTO
Via . Dr Francisco Sa Carneiro. Lote 17. ZONA Ind. MAIA 1. Sector-X MAIA.
C.P. 4470 BARCA
Tfno. 351 2 9418313
Fax 351 2 9488719/9416180
E-mail: televes.pt@televes.com

LISBOA
C.P. 1000 Rua Augusto Gil 21-A.
Tfno. 351 1 7932537
Fax 351 1 7932418
E-mail: televes.lisboa.pt@televes.com

TELEVES UNITED KINGDOM LTD
Unit 11 Hill Street, Industrial State
CWMBRAN, GWENT NP44 7PG.
(United Kingdom)
Tfno. 44 01 633 87 58 21
Fax 44 01 633 86 63 11
E-mail: televes.uk@televes.com

TELEVES FRANCE S.A.R.L.
Parc des Arpents
12 Rue du Pré des Aulnes.
77340 PONTAULT-COMBAULT.(France)
Tfno. 33 01 60 18 30 40.
Fax 33 01 60 18 30 49.
E-mail televes.fr@televes.com

TELEVES MIDDLE EAST FZE
P.O. Box 17199
JEBEL ALI FREE ZONE DUBAI, UNITED ARAB EMIRATES
Tel. 971 4834 344
Fax. 971 4834 644
E-mail televes@emirates.net.ae

Televes

www.televes.com