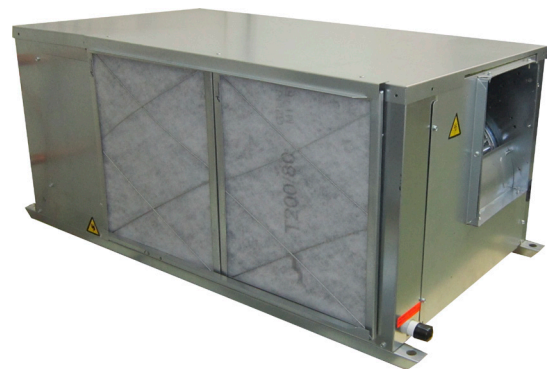




Application guide Installation, operating and maintenance manual **AQUALEAN AWC/AWH**



- Providing indoor climate comfort



WARNING: Read this manual before installation, reparation o maintenance works.

TABLE OF CONTENTS

POINTS TO BEAR IN MIND	PAGE 2
------------------------	--------

DATA PAGE FOR COMMISSIONING UNIT	PAGE 3
----------------------------------	--------

1.- GENERAL CHARACTERISTICS	PAGE
------------------------------------	-------------

1.1.- PRODUCT RANGE	4
1.2.- GENERAL DESCRIPTION	5
1.3.- PHYSICAL DATA	6
1.4.- ELECTRICAL SPECIFICATIONS	6
1.5.- ELECTRICAL CONNECTIONS	7
1.6.- OPERATING LIMITS	7
1.7.- FAN SPECIFICATIONS	8
1.8.- CAPACITY TABLES	9-12
1.9.- CORRECTION FACTORS	13
1.10.- DIMENSIONS	14
1.11.- OPTIONS	15

2.- INSTALLATION	PAGE
-------------------------	-------------

2.1.- PRE - INSTALLATION	17
2.2.- UNIT INSTALLATION	18-19

3.- COMMISSIONING AND OPERATION	PAGE
--	-------------

3.1.- PRELIMINARY CHECKS BEFORE FIRST INSTALLATION	20
3.2.- PRELIMINARY CHECKS AT FIRST INSTALLATION	20-21

4.- MAINTENANCE	PAGE
------------------------	-------------

4.1.- PREVENTIVE MAINTENANCE	22
4.2.- CORRECTIVE MAINTENANCE	22

Lennox have been providing environmental solutions since 1895, our AQUALEAN (AWC/AWH) range continues to meet the standards that have made LENNOX a household name. Flexible design solutions to meet your needs and uncompromising attention to detail. Engineered to last, simple to maintain and Quality that comes as standard. For information on local contacts at www.lennox europe.com.

All the technical and technological information contained in this manual, including any drawing and technical descriptions provided by us, remain the property of Lennox and must not be used (except in the operation of this product), reproduced, issued to or made available to third parties without the prior written agreement of Lennox.

POINTS TO BEAR IN MIND

DANGER AND WARNING SIGNS



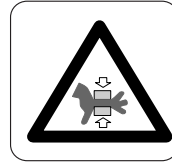
Abrasive surfaces



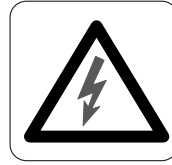
Low temperatures



High temperatures



Risk of injury by moving objects



Electrical voltage



Risk of injury by rotating objects

ELECTRICAL CONNECTIONS



Make sure to switch off the power before installing, repairing or carrying out maintenance on the unit, in order to prevent serious electrical injury.

Keep local and national legislation in mind when installing the unit.

ATTENTION - WARNING

Electrical shock hazard can cause injury or death. Before attempting to perform any service or maintenance on the unit, turn OFF the electrical power.

The air filter cleaning operations do not require technical service; however when an electrical or mechanical operation is required call an Engineer.

FILTER CLEANING

Check the air filter and make sure it is not blocked with dust or dirt

If the filter is dirty, wash it in a bowl neutral soap and water, drying it in the shade before inserting it in the unit.



Standard Guidelines to Lennox equipment

All technical data contained in these operating instructions, including the diagrams and technical description remains the property of Lennox and may not be used (except for the purpose of familiarizing the user with the equipment), reproduced, photocopied, transferred or transmitted to third parties without prior written authorization from Lennox.

The data published in the operating instructions is based on the latest information available. We reserve the right to make modifications without notice.

We reserve the right to modify our products without notice without obligation to modify previously supplied goods.

These operating instructions contain useful and important information for the smooth operation and maintenance of your equipment.

The instructions also include guidelines on how to avoid accidents and serious damage before commissioning the equipment and during its operation and how to ensure smooth and fault-free operation. Read the operating instructions carefully before starting the equipment, familiarize yourself with the equipment and handling of the installation and carefully follow the instructions. It is very important to be properly trained in handling the equipment. These operating instructions must be kept in a safe place near the equipment.

Like most equipment, the unit requires regular maintenance. This section concerns maintenance and management personnel. If you have any queries or would like to receive further information on any aspect relating to your equipment, do not hesitate to contact us.

DATA PAGE FOR UNIT COMMISSIONING

UNIT: _____ SERIAL Nr: _____

CONTROL PANEL IDENTIFICATION CODE: _____

INSTALLATION ADDRESS: _____

INSTALLER: _____ INSTALLER TEL: _____

INSTALLER ADDRESS: _____

DATE OF COMMISSIONING: _____

CHECKS:

SUPPLY VOLTAGE: _____ RATED VOLTAGE OF THE UNIT: _____

YES NO

UNIT ON SHOCK ABSORBERS	<input type="checkbox"/>	<input type="checkbox"/>
DRAINAGE WITH TRAP	<input type="checkbox"/>	<input type="checkbox"/>
MAIN POWER SUPPLY CONNECTION	<input type="checkbox"/>	<input type="checkbox"/>
CONTROL PANEL CONNECTION	<input type="checkbox"/>	<input type="checkbox"/>
COMPRESSOR OIL LEVEL INDICATOR	<input type="checkbox"/>	<input type="checkbox"/>

DATA INPUT:

COOLING CYCLE

HEATING CYCLE

Air intake temperature to the indoor coil: _____

High pressure: _____

Low pressure: _____

Air intake temperature to the indoor coil: _____

High pressure: _____

Low pressure: _____

ELECTRIC POWER CONSUMPTION (Amps)

Compressor 1
Indoor fan

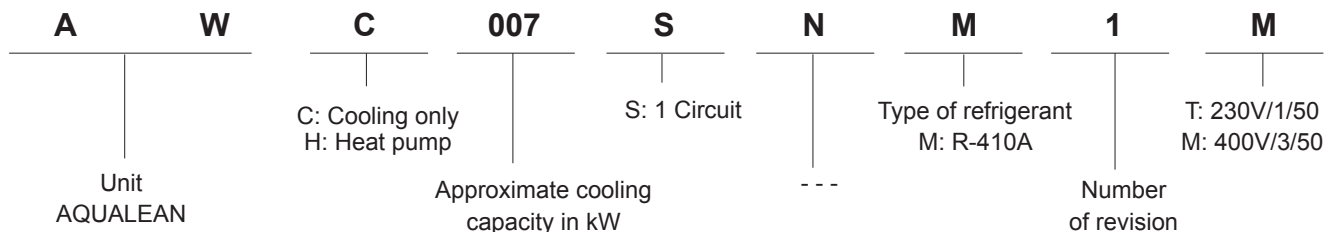
Compressor
Indoor fan

Options installed: _____

Comments: _____

1.- GENERAL CHARACTERISTICS

1.1.- PRODUCT RANGE



COOLING ONLY UNITS

MODEL	V / Ph / 50 Hz	NOMINAL CAPACITY kW		NOMINAL POWER INPUT kW	
		COOLING		COOLING	
AWC 007	230 V - 1Ph	6.75		1.69	
AWC 008	230 V - 1Ph	8		2.05	
AWC 010	230 V - 1Ph	10.2		2.55	
AWC 012	230 V - 1Ph 230 V - 3Ph 400 V - 3Ph	11.2		2.8	
AWC 015	230 V - 3Ph 400 V - 3Ph	14.5		3.37	
AWC 018	230 V - 3Ph 400V - 3Ph	17		4.15	
AWC 020	230 V - 3Ph	19		4.75	
	400V - 3Ph				

HEAT PUMP UNITS

MODEL	V / Ph / 50 Hz	NOMINAL CAPACITY kW		NOMINAL POWER INPUT kW	
		COOLING	HEATING	COOLING	HEATING
AWH 007	230 V - 1Ph	6.75	8	1.69	2.1
AWH 008	230 V - 1Ph	8	9.5	2.05	2.5
AWH 010	230 V - 1Ph	10.2	12.3	2.55	3.2
AWH 012	230 V - 1Ph 400 V - 3Ph	11.2	13.5	2.8	3.6
AWH 015	400 V - 3Ph	14.5	17	3.37	4.6
AWH 018	400V - 3Ph	17	19.5	4.15	5.1
AWHW 020	400V - 3Ph	19	22	4.75	6

1.- GENERAL CHARACTERISTICS

1.2.-GENERAL DESCRIPTION

The air conditioner, horizontal compact, water condensed type AQUALEAN, are specially designed for small and average installation, office, house, etc.

On standard version the unit cleans, filters, cools and dehumidifies the air (AWC), and in addition heats if it is heat pump unit (AWH). You are able to incorporate option elements such as electrical heater.

CABINET

The cabinet is made of galvanised steel with compact dimensions and features allow the unit to be positioned in almost any location.

Internally the unit incorporates thermal acoustic insulation.

25mm A2,s1,d0 / M0 insulation in air section
Thermal/acoustic insulation in compressor area

AIR EXCHANGER

Made of copper tubing with aluminum swirl fins, they are designed and specially dimensioned to obtain the maximum output.

COMPRESOR

Scroll compressor for all models, all of them with internal thermic protection. It is mounted on vibration-absorbent blocks both on the inside and outside, statically and dynamically balanced.

FAN

The units include a centrifugal fan motor with 3 fan speeds management.

WATER EXCHANGER

The unit includes an exchanger plate, compact and resistant made on stainless steel, specially selected for this type of unit.

COOLING/HEATING CIRCUIT

Made of welded dehumidifying copper tube with access connections.

Cooling only units (AWC):

They include dehydrator filter, liquid recipient, and electronic expansion valve, high pressure switch and low pressure transducer.

Heat pump units (AWH):

They include as expansion system an electronic expansion valve, high pressure switch and low pressure transducer. They includes a 4 ways valve and liquid receiver. To work properly in heating mode, the unit includes check valve, restrictor and filter drier.

The unit leaves the factory with R410A refrigerant.

WATER CIRCUIT

It includes water threaded connections H-G.

AIR FILTER

A polypropylene washable air filter is incorporated in the unit it is accessible for maintenance operations.

ELECTRIC CIRCUIT

The electrical box includes all the components and terminal blocks needed for the installation. It includes a printed board and reversible working mode in heat pump units. In addition alarm, ON/OFF remote and dry contact for water pump are available too.

REMOTE CONTROL

CLIMATIC™ 60 microprocessor based control is providing the following functions :

- 7 scheduling time zones per day over 7 days to allow energy consumption and sound level management according to the building use and environmental constraints.-
- Airflow regulation to adapt unit operation to the installation requirements.
- Master/slave or cascade control of 2, up to 10 units operating in parallel with operating time equalization and automatic change-over in case of a unit fault.



OPTIONS

- Electrical heater mounted on fan discharge.
- Flow switch
- Water filter.
- Main switch
- Compressor acoustic jacket
- Three phase protection (three phase units).
- Low water loop temperature
- Water differential pressure switch
- MODBUS / BACNET / LONWORKS Communications
- DS60 Service display
- Airflow configuration

1.- GENERAL CHARACTERISTICS

1.3.- PHYSICAL DATA

UNIT MODEL		AWC 007 AWH 007	AWC 008 AWH 008	AWC 010 AWH 010	AWC 012 AWH 012	AWC 015 AWH 015	AWC 018 AWH 018	AWC 020 AWH 020	
Total cooling capacity	kW (*)	6.75	8.00	10.20	11.20	14.50	17.00	19.00	
Total heating capacity	kW (**)	8.00	9.50	12.30	13.50	17.00	19.50	22.00	
Nominal absorbed power Cooling	kW (*)	1.69	2.05	2.55	2.80	3.37	4.15	4.75	
Nominal absorbed power Heating	kW (**)	2.10	2.50	3.20	3.60	4.60	5.10	6.00	
Air flow (max./min.)	m ³ /h	1430/1010	1620/1250	2100/1550	2200/1620	2610/1850	3100/2060	3500/2450	
Max. available static pressure(1)	Pa	150	125	150	150	150	150	150	
Nominal water flow	l/h	1450	1730	2190	2410	3070	3640	4090	
Water pressure drop	kPa	25	30	40	48	40	45	55	
Net weight Cooling / heating	Kg	69/71	70/72	109/111	111/113	113/116	148/151	148/151	
Sound pressure level (LP) (2)	Low/High speed	dB(A)	49/51	50/52	48/51	49/51	49/53	46/51	47/54
	Height	mm	441	441	491	491	491	531	531
	Width	mm	886	886	1180	1180	1180	1600	1600
	Depth	mm	492	492	623	623	623	703	703
Hydraulic connections		1" G	1" G	1" G	1" G	1" G	1" G	1" G	

(*) Exchanger air inlet temperature: 27°C DB / 19°C WB.

Exchanger water inlet temperature: 30°C.

(**) Exchanger air inlet temperature: 20°C DB.

Exchanger water inlet temperature: 20°C.

(1) With admissible minimum air flow.

(2) Sound pressure level has been tested at a distance of 2 m from the unit, with duct in aspiration and air discharge, normal absorption in accordance with room size and unit capacity.

DB.- Dry bulb temperature

WB.- Wet bulb temperature

1.4.- ELECTRICAL SPECIFICATIONS

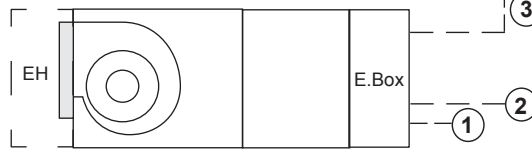
UNIT MODEL		AWC 007 AWH 007	AWC 008 AWH 008	AWC 010 AWH 010	AWC 012 AWH 012	AWC 015 AWH 015	AWC 018 AWH 018	AWC 020 AWH 020	
VOLTAGE	1 Ph	230V/1Ph				-	-	-	
	3 Ph	-	-	-	400V 3Ph				
MAXIMUM ABSORBED POWER	Compressor	kW	2.57	3.15	3.82	4.62 / 4.31	5.46	5.93	7.26
	Indoor fan	kW	0.147	0.147	0.250	0.250	0.250	0.315	0.315
	TOTAL	kW	2.72	3.30	4.07	4.87 / 4.56	5.71	6.25	7.58
MAXIMUM RUNNING CURRENT	Maximum running current	A	14.4	17.6	24.6	28.6 / 10.6	12.9	14.7	17.9
	Starting current	A	61.6	68.6	100.6	130.6 / 45.6	54.1	66.9	77.9

1.- GENERAL CHARACTERISTICS



1.5.- ELECTRICAL CONNECTIONS

- 1 - Power supply
- 2 - Power supply with electrical heater
- 3 - Connection control



FOR ELECTRICAL CONNECTION REFER TO WIRING DIAGRAM IN THE UNIT.

MODEL	VOLTA 50Hz	N° DE CABLES X SECCION		
		1	2	3
AWC/H 007	230V / 1Ph	3 X 2,5mm ²	3 X 10mm ²	5 X 1 mm ² Apantallado
AWC/H 008	230V / 1Ph	3 X 2,5mm ²	3 X 10mm ²	
AWC/H 010	230V / 1Ph	3 X 6mm ²	3 X 16mm ²	
AWC/H 012	230V / 1Ph	3 X 6mm ²	3 X 16mm ²	
	400V / 3Ph+N	5 X 2,5mm ²	5 X 6mm ²	
AWC/H 015	400V / 3Ph+N	5 X 2,5mm ²	5 X 6mm ²	
AWC/H 018	400V / 3Ph+N	5 X 4mm ²	5 X 10mm ²	
AWC/H 020	400V / 3Ph+N	5 X 4mm ²	5 X 10mm ²	



Local and national legislation has to be taken into account when the unit will be installed.

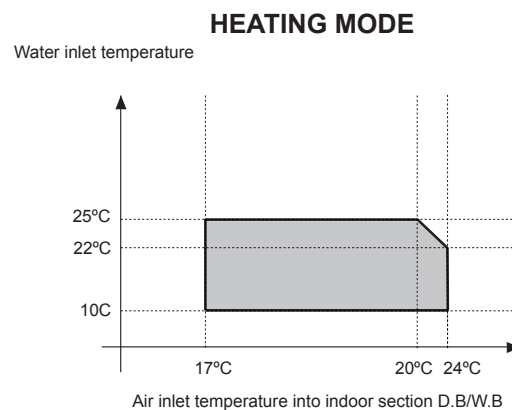
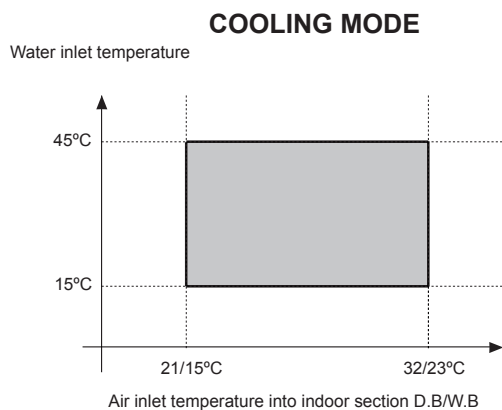


INSTALLATION GUIDE FOR CONTROL CABLE (TO AVOID INTERFERENCES):

- Use the screened 15 m cable supplied with terminal (3 wires + screen).
- Wire the cable separated from electrical power wiring by a physical distance of 500 mm.
- Wire the cable separated from halogen lamps/fluorescent tube lighting... by a physical distance of 500 mm.
- Wire the cable separated from radio frequency sources such as radio transmitter... at least 500 mm.

NEVER WIND THE REMAINING CABLE AROUND, CUT THE CABLE BY THE TERMINAL END.

1.6.- OPERATING LIMITS



WB.- Wet bulb temperature
DB.- Dry bulb temperature

1.- GENERAL CHARACTERISTICS

1.7.- FAN SPECIFICATIONS

AWH 007		AVAILABLE STATIC PRESSURE Pa.						
		25	37	50	75	100	125	150
AIR FLOW m ³ /h	HIGH SPEED	1430	1400	1375	1315	1245	1165	1065
	MEDIUM SPEED	1300	1250	1240	1185	1125	1050	-
	LOW SPEED	1170	1140	1125	1070	1010	-	-

AWH 008		AVAILABLE STATIC PRESSURE Pa.						
		25	37	50	75	100	125	150
AIR FLOW m ³ /h	HIGH SPEED	1620	1585	1550	1475	1395	1300	-
	MEDIUM SPEED	1550	1500	1480	1420	1350	1260	-
	LOW SPEED	1430	1400	1375	1315	1250	-	-

AWH 010		AVAILABLE STATIC PRESSURE Pa.						
		25	37	50	75	100	125	150
AIR FLOW m ³ /h	HIGH SPEED	2100	2075	2050	1990	1925	1850	1750
	MEDIUM SPEED	1915	1900	1885	1830	1790	1700	-
	LOW SPEED	1685	1680	1675	1640	1600	1550	-

AWH 012		AVAILABLE STATIC PRESSURE Pa.						
		25	37	50	75	100	125	150
AIR FLOW m ³ /h	HIGH SPEED	2200	2180	2150	2025	1925	1800	1550
	MEDIUM SPEED	2025	2000	1985	1875	1775	1650	-
	LOW SPEED	1825	1815	1780	1700	1620	-	-

AWH 015		AVAILABLE STATIC PRESSURE Pa.						
		25	37	50	75	100	125	150
AIR FLOW m ³ /h	HIGH SPEED	2610	2550	2480	2350	2185	2000	1750
	MEDIUM SPEED	2575	2560	2450	2300	2150	1970	1730
	LOW SPEED	2350	2300	2250	2150	2025	1850	-

AWH 018		AVAILABLE STATIC PRESSURE Pa.						
		25	37	50	75	100	125	150
AIR FLOW m ³ /h	HIGH SPEED	3100	2980	2960	2815	2650	2450	2210
	MEDIUM SPEED	2910	2850	2800	2610	2450	2300	2100
	LOW SPEED	2615	2550	2500	2375	2230	2060	-

AWH 020		AVAILABLE STATIC PRESSURE Pa.						
		25	37	50	75	100	125	150
AIR FLOW m ³ /h	HIGH SPEED	3500	3400	3300	3100	2900	2600	2300
	MEDIUM SPEED	3250	3200	3100	2940	2750	2550	2300
	LOW SPEED	3100	3030	2960	2815	2650	2450	-

1.- GENERAL CHARACTERISTICS

1.8.- CAPACITY TABLES

AWC/AWH 007 Nominal air flow 1.250 m³/h

Water inlet temperature °C	Water flow l/h		Water pressure drop kPa	COOLING CAPACITY AWC/AWH			HEATING CAPACITY AWH	
				Total capacity kW	Sensible capacity kW	Total power input kW	Total capacity kW	Total power input kW
10	Mínimo	1010	15	---	---	---	6,28	3,43
	Nominal	1450	25	---	---	---	6,49	3,48
	Máximo	2070	40	---	---	---	6,62	3,52
15	Mínimo	1010	15	7,43	6,27	0,66	7,03	3,62
	Nominal	1450	25	7,51	6,56	0,66	7,24	3,67
	Máximo	2070	40	7,55	6,83	0,66	7,40	3,70
20	Mínimo	1010	15	7,20	5,31	0,67	7,77	3,76
	Nominal	1450	25	7,28	5,57	0,66	8,00	3,80
	Máximo	2070	40	7,33	5,80	0,66	8,17	3,82
25	Mínimo	1010	15	6,94	4,49	0,68	8,51	3,85
	Nominal	1450	25	7,03	4,72	0,67	8,75	3,88
	Máximo	2070	40	7,08	4,91	0,67	8,95	3,89
30	Mínimo	1010	15	6,66	3,80	0,69	---	---
	Nominal	1450	25	6,75	4,00	0,68	---	---
	Máximo	2070	40	6,81	4,14	0,68	---	---
35	Mínimo	1010	15	6,36	3,25	0,70	---	---
	Nominal	1450	25	6,45	3,41	0,69	---	---
	Máximo	2070	40	6,51	3,52	0,69	---	---
40	Mínimo	1010	15	6,04	2,82	0,71	---	---
	Nominal	1450	25	6,13	2,96	0,71	---	---
	Máximo	2070	40	6,20	3,02	0,70	---	---

AWC/AWH 008 Nominal air flow 1.500 m³/h

Water inlet temperature °C	Water flow l/h		Water pressure drop kPa	COOLING CAPACITY AWC/AWH			HEATING CAPACITY AWH	
				Total capacity kW	Sensible capacity kW	Total power input kW	Total capacity kW	Total power input kW
10	Mínimo	1210	20	---	---	---	7,56	3,43
	Nominal	1730	30	---	---	---	7,79	3,47
	Máximo	2470	50	---	---	---	7,93	3,51
15	Mínimo	1210	20	8,85	5,86	0,66	8,41	3,59
	Nominal	1730	30	8,95	6,09	0,65	8,65	3,63
	Máximo	2470	50	9,01	6,30	0,65	8,81	3,66
20	Mínimo	1210	20	8,55	5,05	0,66	9,25	3,72
	Nominal	1730	30	8,65	5,26	0,66	9,50	3,75
	Máximo	2470	50	8,71	5,45	0,66	9,68	3,77
25	Mínimo	1210	20	8,23	4,34	0,67	10,08	3,79
	Nominal	1730	30	8,33	4,54	0,67	10,34	3,82
	Máximo	2470	50	8,40	4,69	0,67	10,55	3,83
30	Mínimo	1210	20	7,90	3,73	0,68	---	---
	Nominal	1730	30	8,00	3,90	0,68	---	---
	Máximo	2470	50	8,07	4,03	0,68	---	---
35	Mínimo	1210	20	7,55	3,21	0,69	---	---
	Nominal	1730	30	7,65	3,36	0,69	---	---
	Máximo	2470	50	7,73	3,46	0,69	---	---
40	Mínimo	1210	20	7,18	2,78	0,70	---	---
	Nominal	1730	30	7,29	2,91	0,70	---	---
	Máximo	2470	50	7,37	2,98	0,70	---	---

Nominal capacity conditions: Exchanger air inlet temperature: 27°C DB/19°C WB for cooling y 20°C WB for heating mode.
(DW:dry bulb WB:wet bulb)

For another working conditions use correction factor tables.

1.- GENERAL CHARACTERISTICS

1.8.- CAPACITY TABLES

AWC/AWH 010 Nominal air flow 1.900 m³/h

Water inlet temperature °C	Water flow l/h		Water pressure drop kPa	COOLING CAPACITY AWC/AWH			HEATING CAPACITY AWH	
				Total capacity kW	Sensible capacity kW	Total power input kW	Total capacity kW	Total power input kW
10	Mínimo	1530	25	---	---	---	9,77	3,56
	Nominal	2190	40	---	---	---	10,06	3,60
	Máximo	3130	65	---	---	---	10,24	3,64
15	Mínimo	1530	25	11,19	6,05	0,68	10,85	3,73
	Nominal	2190	40	11,30	6,29	0,67	11,17	3,77
	Máximo	3130	65	11,37	6,53	0,67	11,39	3,80
20	Mínimo	1530	25	10,85	5,20	0,68	11,96	3,86
	Nominal	2190	40	10,97	5,42	0,68	12,30	3,90
	Máximo	3130	65	11,04	5,62	0,68	12,55	3,92
25	Mínimo	1530	25	10,48	4,46	0,69	13,10	3,96
	Nominal	2190	40	10,60	4,66	0,69	13,46	3,99
	Máximo	3130	65	10,68	4,83	0,69	13,75	4,01
30	Mínimo	1530	25	10,07	3,83	0,70	---	---
	Nominal	2190	40	10,20	4,00	0,70	---	---
	Máximo	3130	65	10,29	4,14	0,70	---	---
35	Mínimo	1530	25	9,63	3,30	0,72	---	---
	Nominal	2190	40	9,76	3,45	0,71	---	---
	Máximo	3130	65	9,86	3,56	0,71	---	---
40	Mínimo	1530	25	9,15	2,89	0,73	---	---
	Nominal	2190	40	9,29	3,01	0,73	---	---
	Máximo	3130	65	9,39	3,09	0,72	---	---

AWC/AWH 012 Nominal air flow 2.000 m³/h

Water inlet temperature °C	Water flow l/h		Water pressure drop kPa	COOLING CAPACITY AWC/AWH			HEATING CAPACITY AWH	
				Total capacity kW	Sensible capacity kW	Total power input kW	Total capacity kW	Total power input kW
10	Mínimo	1690	30	---	---	---	10,74	3,52
	Nominal	2410	48	---	---	---	11,05	3,56
	Máximo	3440	75	---	---	---	11,25	3,59
15	Mínimo	1690	30	12,37	6,05	0,66	11,94	3,67
	Nominal	2410	48	12,50	6,29	0,66	12,26	3,70
	Máximo	3440	75	12,59	6,50	0,66	12,50	3,72
20	Mínimo	1690	30	11,96	5,20	0,67	13,15	3,77
	Nominal	2410	48	12,10	5,42	0,67	13,50	3,80
	Máximo	3440	75	12,18	5,61	0,67	13,77	3,81
25	Mínimo	1690	30	11,52	4,46	0,68	14,38	3,84
	Nominal	2410	48	11,66	4,66	0,68	14,75	3,86
	Máximo	3440	75	11,75	4,82	0,67	15,05	3,87
30	Mínimo	1690	30	11,06	3,83	0,69	---	---
	Nominal	2410	48	11,20	4,00	0,68	---	---
	Máximo	3440	75	11,30	4,13	0,68	---	---
35	Mínimo	1690	30	10,57	3,29	0,70	---	---
	Nominal	2410	48	10,71	3,45	0,70	---	---
	Máximo	3440	75	10,82	3,55	0,69	---	---
40	Mínimo	1690	30	10,06	2,87	0,71	---	---
	Nominal	2410	48	10,20	3,00	0,71	---	---
	Máximo	3440	75	10,31	3,07	0,71	---	---

Nominal capacity conditions: Exchanger air inlet temperature: 27°C DB/19°C WB for cooling y 20°C WB for heating mode.

(DW:dry bulb WB:wet bulb)

For another working conditions use correction factor tables.

1.- GENERAL CHARACTERISTICS

1.8.- CAPACITY TABLES

AWC/AWH 015 Nominal air flow 2.450 m³/h

Water inlet temperature °C	Water flow l/h		Water pressure drop kPa	COOLING CAPACITY AWC/AWH			HEATING CAPACITY AWH	
				Total capacity kW	Sensible capacity kW	Total power input kW	Total capacity kW	Total power input kW
10	Mínimo	2150	25	---	---	---	13,59	3,39
	Nominal	3070	40	---	---	---	13,99	3,43
	Máximo	4390	60	---	---	---	14,26	3,46
15	Mínimo	2150	25	16,02	6,41	0,67	15,06	3,54
	Nominal	3070	40	16,20	6,67	0,67	15,49	3,58
	Máximo	4390	60	16,31	6,89	0,67	15,80	3,61
20	Mínimo	2150	25	15,49	5,56	0,68	16,54	3,66
	Nominal	3070	40	15,67	5,79	0,67	17,00	3,70
	Máximo	4390	60	15,79	5,98	0,67	17,35	3,72
25	Mínimo	2150	25	14,92	4,79	0,68	18,04	3,76
	Nominal	3070	40	15,10	5,00	0,68	18,52	3,79
	Máximo	4390	60	15,23	5,17	0,68	18,92	3,81
30	Mínimo	2150	25	14,32	4,11	0,70	---	---
	Nominal	3070	40	14,50	4,30	0,69	---	---
	Máximo	4390	60	14,63	4,44	0,69	---	---
35	Mínimo	2150	25	13,68	3,51	0,71	---	---
	Nominal	3070	40	13,87	3,69	0,70	---	---
	Máximo	4390	60	14,00	3,80	0,70	---	---
40	Mínimo	2150	25	13,01	3,01	0,72	---	---
	Nominal	3070	40	13,20	3,17	0,72	---	---
	Máximo	4390	60	13,34	3,26	0,71	---	---

AWC/AWH 018 Nominal air flow 2.800 m³/h

Water inlet temperature °C	Water flow l/h		Water pressure drop kPa	COOLING CAPACITY AWC/AWH			HEATING CAPACITY AWH	
				Total capacity kW	Sensible capacity kW	Total power input kW	Total capacity kW	Total power input kW
10	Mínimo	2540	30	---	---	---	15,55	3,36
	Nominal	3640	45	---	---	---	16,00	3,42
	Máximo	5200	70	---	---	---	16,28	3,45
15	Mínimo	2540	30	18,55	5,86	0,66	17,25	3,56
	Nominal	3640	45	18,72	6,07	0,66	17,73	3,62
	Máximo	5200	70	18,81	6,25	0,66	18,07	3,65
20	Mínimo	2540	30	18,03	5,15	0,67	18,98	3,75
	Nominal	3640	45	18,21	5,34	0,66	19,50	3,80
	Máximo	5200	70	18,31	5,50	0,66	19,89	3,84
25	Mínimo	2540	30	17,44	4,51	0,67	20,74	3,91
	Nominal	3640	45	17,63	4,69	0,67	21,30	3,96
	Máximo	5200	70	17,75	4,83	0,67	21,75	4,00
30	Mínimo	2540	30	16,80	3,93	0,68	---	---
	Nominal	3640	45	17,00	4,10	0,68	---	---
	Máximo	5200	70	17,14	4,22	0,68	---	---
35	Mínimo	2540	30	16,09	3,43	0,69	---	---
	Nominal	3640	45	16,31	3,58	0,69	---	---
	Máximo	5200	70	16,46	3,68	0,69	---	---
40	Mínimo	2540	30	15,33	3,00	0,70	---	---
	Nominal	3640	45	15,55	3,13	0,70	---	---
	Máximo	5200	70	15,72	3,21	0,70	---	---

Nominal capacity conditions: Exchanger air inlet temperature: 27°C DB/19°C WB for cooling y 20°C WB for heating mode.
(DW:dry bulb WB:wet bulb)

For another working conditions use correction factor tables.

1.- GENERAL CHARACTERISTICS

1.8.- CAPACITY TABLES

AWC/AWH 020 Nominal air flow 3.100 m³/h

Water inlet temperature °C	Water flow l/h		Water pressure drop kPa	COOLING CAPACITY AWC/AWH			HEATING CAPACITY AWH	
				Total capacity kW	Sensible capacity kW	Total power input kW	Total capacity kW	Total power input kW
10	Mínimo	2860	35	---	---	---	17,65	3,43
	Nominal	4090	55	---	---	---	18,13	3,46
	Máximo	5840	80	---	---	---	18,45	3,48
15	Mínimo	2860	35	20,89	5,68	0,65	19,53	3,54
	Nominal	4090	55	21,12	5,88	0,65	20,06	3,57
	Máximo	5840	80	21,25	6,04	0,65	20,42	3,58
20	Mínimo	2860	35	20,23	5,01	0,66	21,44	3,63
	Nominal	4090	55	20,46	5,20	0,66	22,00	3,65
	Máximo	5840	80	20,60	5,34	0,66	22,42	3,66
25	Mínimo	2860	35	19,52	4,40	0,67	23,37	3,69
	Nominal	4090	55	19,75	4,57	0,67	23,97	3,71
	Máximo	5840	80	19,90	4,70	0,66	24,44	3,72
30	Mínimo	2860	35	18,76	3,83	0,68	---	---
	Nominal	4090	55	19,00	4,00	0,67	---	---
	Máximo	5840	80	19,16	4,11	0,67	---	---
35	Mínimo	2860	35	17,96	3,33	0,69	---	---
	Nominal	4090	55	18,20	3,48	0,68	---	---
	Máximo	5840	80	18,36	3,58	0,68	---	---
40	Mínimo	2860	35	17,11	2,88	0,70	---	---
	Nominal	4090	55	17,36	3,02	0,69	---	---
	Máximo	5840	80	17,53	3,10	0,69	---	---

Nominal capacity conditions: Exchanger air inlet temperature: 27°C DB/19°C WB for cooling y 20°C WB for heating mode.
(DW:dry bulb WB:wet bulb)

For another working conditions use correction factor tables.

Dissipated heat for cooling mode:

The heat to dissipate in the water exchanger for cooling mode is near to: Total capacity + total power input.

Absorbed heat for heating mode:

The heat absorbed in the water exchanger for heating mode is near to: Total capacity - total power input.

Water pressure drop has been calculated without water filter an option. With this option, the water pressure drop (kPa) is:

WATER PRESSURE DROP WITH WATER FILTER AWC/AWH

UNIT			AWC 007 AWH 007	AWC 008 AWH 008	AWC 010 AWH 010	AWC 012 AWH 012	AWC 015 AWH 015	AWC 018 AWH 018	AWC 020 AWH 020
Water flow	Minimum	l/h	20	25	30	35	35	40	45
	Nominal	l/h	30	35	50	55	55	60	75
	Maximum	l/h	45	60	80	90	80	100	115

1.- GENERAL CHARACTERISTICS

1.9.- CORRECTION FACTORS

AIR FLOW

The data in the capacity tables, have been calculated for nominal air flow; with maximum/minimum air flows use these correction factors:

UNITS	AIR FLOW		COOLING			HEATING	
			Total capacity kW	Sensible capacity kW	Total power input kW	Total capacity kW	Total power input kW
ACW 007	Maximun	1430	1,02	1,06	1,02	1,02	0,96
	Nominal	1250	1,00	1,00	1,00	1,00	1,00
	Minimum	1010	0,96	0,92	0,97	0,99	1,08
ACW 008	Maximun	1620	1,01	1,03	1,01	1,01	0,98
	Nominal	1500	1,00	1,00	1,00	1,00	1,00
	Minimum	1250	0,96	0,93	0,98	0,98	1,06
ACW 010	Maximun	2100	1,02	1,04	1,03	1,01	0,98
	Nominal	1900	1,00	1,00	1,00	1,00	1,00
	Minimum	1550	0,96	0,92	0,98	0,97	1,07
ACW 012	Maximun	2200	1,02	1,03	1,03	1,01	0,98
	Nominal	2000	1,00	1,00	1,00	1,00	1,00
	Minimum	1620	0,96	0,92	0,98	0,97	1,09
ACW 015	Maximun	2610	1,01	1,03	1,01	1,01	0,98
	Nominal	2450	1,00	1,00	1,00	1,00	1,00
	Minimum	1850	0,94	0,89	0,97	0,96	1,12
ACW 018	Maximun	3100	1,01	1,03	1,01	1,01	0,98
	Nominal	2800	1,00	1,00	1,00	1,00	1,00
	Minimum	2060	0,92	0,87	0,97	0,95	1,12
ACW 020	Maximun	3500	1,01	1,03	1,02	1,01	0,98
	Nominal	3100	1,00	1,00	1,00	1,00	1,00
	Minimum	2450	0,94	0,89	0,98	0,96	1,12

AIR INLET

COOLING MODE AWC/AWH. The data in the capacity tables has been calculated for air inlet temperature: 27°C DB and 19°C WB. For another conditions use these correction factors.

Air inlet temperature (D.B.)	Air inlet temperature (W.B.)		
21	15	TC (kW)	0,88
		SC (kW)	0,89
		Power input (kW)	0,99
24	17	TC (kW)	0,94
		SC (kW)	0,94
		Power input (kW)	1,00
27	19	TC (kW)	1,00
		SC (kW)	1,00
		Power input (kW)	1,00
29	21	TC (kW)	1,07
		SC (kW)	0,99
		Power input (kW)	1,00
32	23	TC (kW)	1,13
		SC (kW)	1,04
		Power input (kW)	1,01

HEATING MODE AWH. The data in the capacity tables has been calculated for air inlet temperature: 20°C DB. For another conditions use these correction factors.

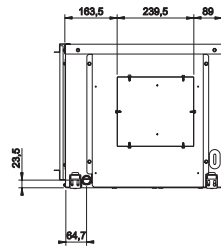
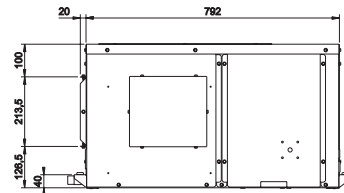
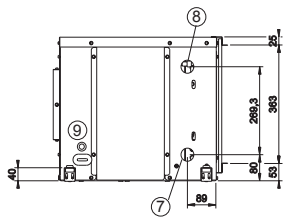
Air inlet temperature (D.B.)		
15	TC (kW)	1,03
	Power input (kW)	0,91
17	TC (kW)	1,02
	Power input (kW)	0,95
20	TC (kW)	1,00
	Power input (kW)	1,00
22	TC (kW)	0,99
	Power input (kW)	1,04
24	TC (kW)	0,98
	Power input (kW)	1,08

TC: Total capacity
 SC: Sensible capacity
 D.B.: Dry bulb
 W.B.: Wet bulb

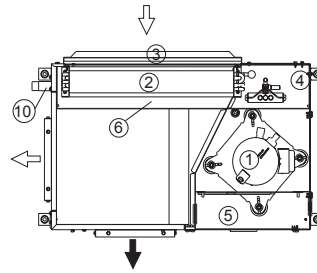
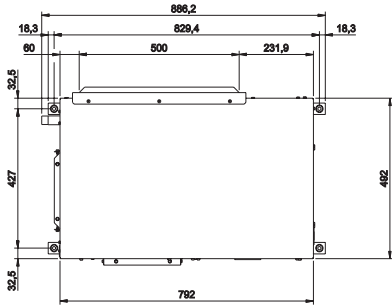
1.- CARACTERÍSTICAS GENERALES

1.10.- DIMENSIONS

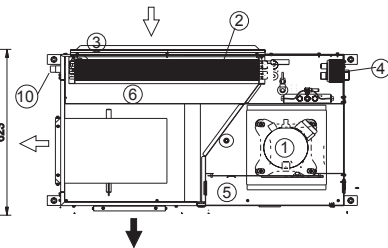
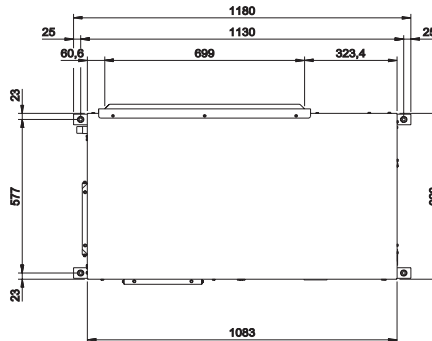
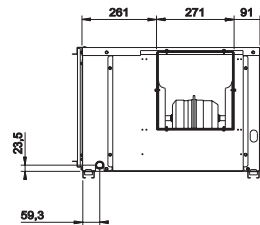
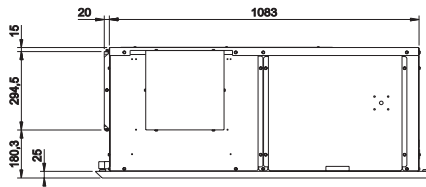
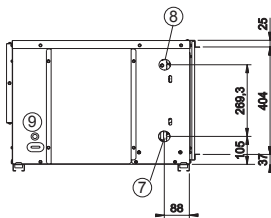
AWC/AWH 007-008



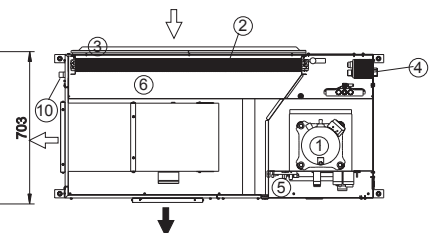
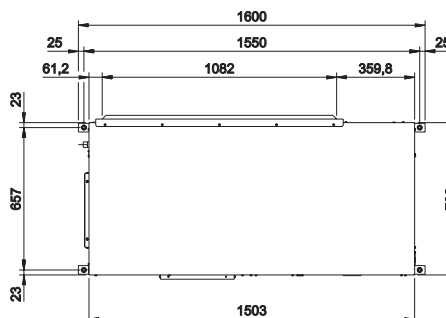
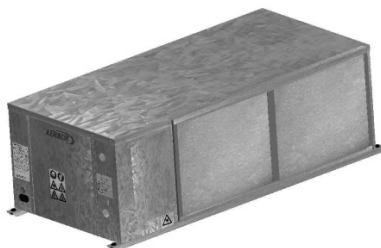
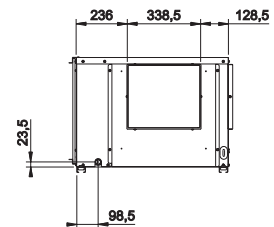
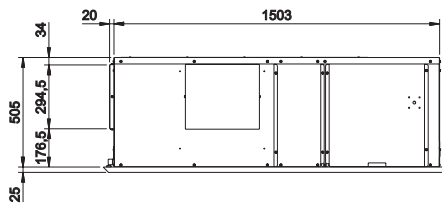
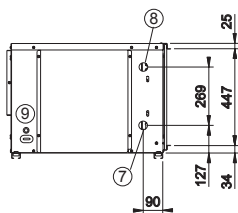
- ① COMPRESSOR
- ② COIL
- ③ AIR FILTER
- ④ WATER EXCHANGER
- ⑤ ELECTRICAL BOX
- ⑥ DRIP TRAY
- ⑦ INLET WATER
- ⑧ OUTLET WATER
- ⑨ POWER SUPPLY
- ⑩ DRAINAGE TUBE
- ⇨ STANDARD
- ⇩ OPTION



AWC/AWH 010-012-015



AWC/AWH 018-020



1.- GENERAL CHARACTERISTICS

1.11.- OPTIONS

COMPRESSOR ACOUSTIC JACKET

Each compressor is fitted with a compressor acoustic jacket this provides attenuation of the compressor noise that radiates from the unit when in operation.

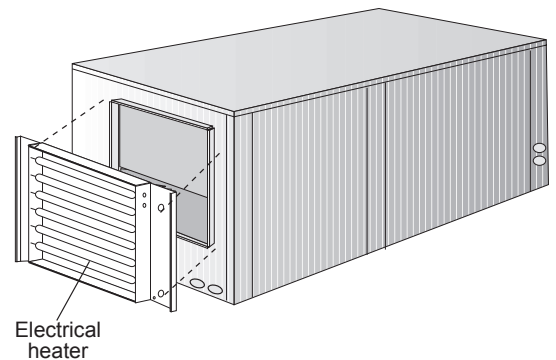
THREE PHASE PROTECTION (THREE PHASE UNITS)

Located at the electrical box of the unit, it assures that unit will not begin operation if connection phases of compressor are not correct. Should this occur, then just switch two phase connections.

ELECTRICAL HEATERS

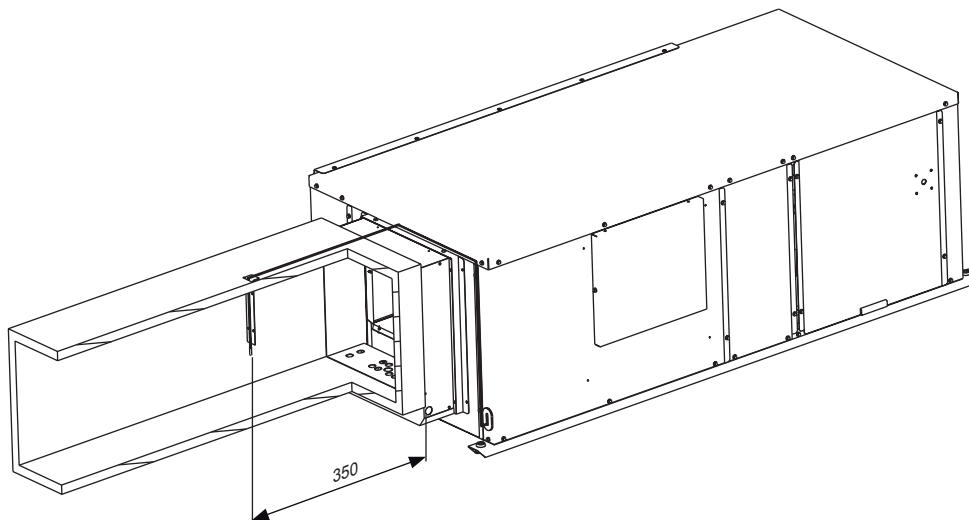
COOLING MODE AWC/AWH							
UNIT	007	008	010	012	015	018	020
Standard		2		3 (1F-3F)			5
Medium		5		5(1F-3F)			9
High				9 (3F)			12

HEATING MODE AWH							
UNIT	007	008	010	012	015	018	020
Standard		2		3 (1F-3F)			5



INSTALLATION

Supply sensor is delivered outside the unit and not fixed when electrical heater is selected as option. It should be installed in the duct using the sheet metal fixation delivered with the unit. See picture below for the installation.



WATER FILTER

This option is supplied loose.

The water filter must be fitted in the water inlet of the unit, it protects the unit against particles (greater than 1 mm) getting inside the water circuit, and prevents the water interchanger gets dirty. With water filter water pressure drop has a different value (see table page 12).

FLOW SWITCH

This option is supplied loose.

The flow switch stops the unit if water flow is lower than the minimum.

1.- GENERAL CHARACTERISTICS

1.11.- OPTIONS

MAIN SWITCH

The main switch is equipped with a gadget, which allows opening the panel of the electrical box, when it is on OFF position.

Verify that the main switch is large enough to handle the current for the unit.

LOW WATER LOOP TEMPERATURE

Addition of a 3-way valve and high pressure transducer to operate the unit below 15°C (down to 0°C).

The controller will monitor the 3-way valve.

The 3-way valve is supplied loose (pressure transducer factory mounted).

WATER DIFFERENTIAL PRESSURE SWITCH

This option is supplied loose.

The differential pressure switch stops the unit if there is not water flow.

MODBUS / BACNET / LONWORKS COMMUNICATION

The control board is equipped with a RS485 serial communication port to allow remote management through communication bus.

According to the wished communication protocol, our control board can be fitted with ModBUS®, LonWorks® or BacNET® communication interface

DS60 (Service display)

This display provides access to the full controller menu to set all parameters.

24V customer display located at 30 meters maximum from the unit. Remote customer parameter reading and modification

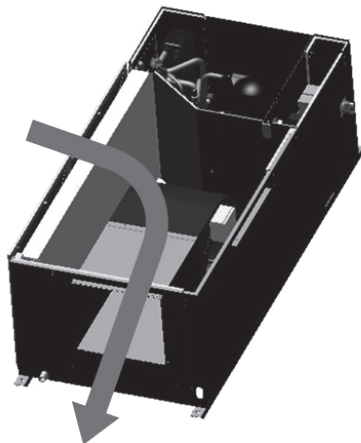


AIRFLOW CONFIGURATION

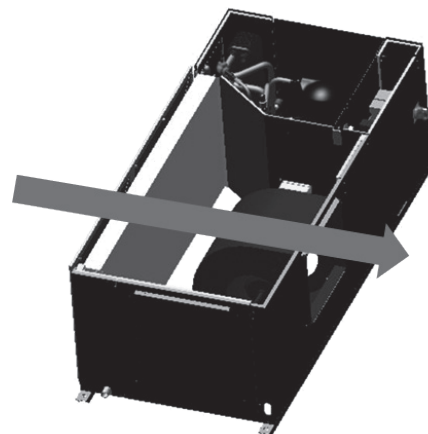
Supply airflow configuration can be changed on site.

For models AWC / AWH 018-020 additional sheet metal and support for the fan are not needed.

See picture below for airflow configuration



Standard



Option

2.- INSTALLATION

2.1.- PRE - INSTALLATION

Prior to install the equipment, make sure of the following points:

- Leave enough space for access to air supply, water section, power supply and condensed outlet.
- The water section must have the correspondent valves.
- Easy extraction of the air filter.
- Easy access to lateral panel for easy accessibility to all services of the unit.
- Unit must be mounted with antivibration.
- The electrical section must be done following legal normative
- Check that the tension is the same as installation place.
- Keep in mind power supply for maximum consumption for each unit.
- Check water quality, across analysis according to local normative. If quality of water is not good, it may be necessary to install a device to decalcify.
- The water must be analysed; the water circuit installed must include all items necessary for treatment of the water: filters, additives, intermediate exchangers, bleed valves, vents, isolating valves etc... depending on the results of the water analysis.

We do not advise operation of the units with open loops which can cause problems with oxygenation, or operation with untreated ground water.

Use of untreated or improperly treated water can cause deposits of scale, algae and sludge or cause corrosion and erosion. It is advisable to call in a qualified water treatment specialist to determine what kind of treatment will be necessary. The manufacturer cannot accept liability for damage caused by the use of untreated or improperly treated water, salt water or brine.

Here are our non exhaustive recommendations given as an indication:

- No NH_4^+ ammonium ions in the water, they are very detrimental for copper. $< 10\text{mg/l}$
- Cl^- Chloride ions are detrimental for copper with a risk of perforations by corrosion by puncture. $< 10\text{ mg/l}$.
- SO_4^{2-} sulphate ions can cause perforating corrosion. $< 30\text{ mg/l}$.
- No fluoride ions ($< 0.1\text{ mg/l}$).
- No Fe^{2+} and Fe^{3+} ions with dissolved oxygen. Dissolved iron $< 5\text{ mg/l}$ with dissolved oxygen $< 5\text{ mg/l}$. Over those values, it means a corrosion of steel which may generate a corrosion of copper parts under deposit of Fe – this is mainly the case with shell and tube heat exchangers.
- Dissolved silicon: silicon is an acid element of water and can also lead to corrosion risks. Content $< 1\text{mg/l}$.
- Water hardness: TH $> 2.8\text{ K}$. Values between 10 and 25 can be recommended. This will facilitate scale deposit that can limit corrosion of copper. TH values that are too high can cause piping blockage over time.
- TAC < 100 .
- Dissolved oxygen: Any sudden change in water oxygenation conditions must be avoided. It is as detrimental to deoxygenate the water by mixing it with inert gas as it is to over-oxygenate it by mixing it with pure oxygen. The disturbance of the oxygenation conditions encourages destabilisation of copper hydroxides and enlargement of particles.
- Specific resistance – electric conductivity: the higher the specific resistance, the slower the corrosion tendency. Values above 3000 Ohm/cm are desirable. A neutral environment favours maximum specific resistance values. For electric conductivity values in the order of 200-6000 S/cm can be recommended.
- pH: pH neutral at 20°C ($7 < \text{pH} < 8$)



It is very important that the unit works with water flows between maximum and minimum values according to the tables. You have to calculate water pump and install regulation valve if they are needed, in order to be sure that the unit works with water flow values indicated in the tables. Specially for heat pump units FWHK in heating mode, if the unit works with water flow below specified values, the unit can be seriously damaged, water exchanger can be frozen.

2.- INSTALLATION

2.2.- UNIT INSTALLATION

- Las unidades deben ser instaladas por personal cualificado.



Make sure to disconnect power supply before carrying out any type of work on the unit.

Hidraulic circuit:

- Make sure that water connections are correct, **water inlet (down side), water outlet (upper side)**.



Water filter in the inlet water connection has to be used. The step of the mesh should be less than Å 1.5 mm which avoids welded and dirty get to the unit.

Lennox offers this element as an option.

- Install cut off valves at inlet and outlet water connections, because of in case of repairs, the hydraulic circuit can be independent.



Use flexible components for the hydraulic connection between the unit and the installation in order to prevent the transmission of vibrations.

- Install water inlet and water outlet connections with a differential gauge device in order to see the pressure difference between the outlet an inlet connections.
- At the end Install an adequate water pump, and all the necessary elements for the installation

AIR FLOW:

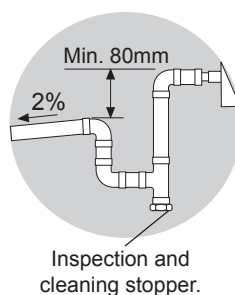
Airflow can be adjusted though the unit remote display between maximum/nominal/minimum

With "AUTO" the controller regulates the airflow between maximum and minimum values to assure the correct unit operation mode.

DRAINAGE TUBE

- Use the flexible tube connected to the drip tray as a drainage tube. Cause a siphon with this tube in order to avoid the inlet of scents from the installation to the unit.

Install a siphon from the drainage tube of the drip tray with a difference in height of 80 mm to prevent from not evacuating due to the negative pressure created by the fans. The pipe will slope down 2% to make it easier for the condensates to drain off.



2.- INSTALLATION

2.2.- UNIT INSTALLATION

INSTALLATION PROCESS

- After supply the power to the unit and connect inlet/outlet water:

- Connect the gauges in high pressure and low pressure side.
 - Use a temperature probe in the compressor gas pipe and another ones in the inlet and outlet water pipes.
 - Start water pump.
 - Make sure to close the unit all panels have to be correctly situated.
 - Start the unit and make sure that the thermostat temperature adjustment is correct.
 - Check the correct water flow with a differential gauge device connected between the inlet and outlet water connections in order to know the pressure difference. Check it according to the capacity table values.
- In addition, you can know the correct water flow with Dt measurement (inlet temperature °C - outlet temperature °C).

This value has to be the same as the value calculated with this formula:

a) Cooling mode

$$\Delta t = \frac{[\text{Cooling capacity (kW)} + \text{Total power input (kW)}] \times 860}{\text{Water flow (l/h)}}$$

a) Heating mode

$$\Delta t = \frac{[\text{Heating capacity (kW)} + \text{Total power input (kW)}] \times 860}{\text{Water flow (l/h)}}$$

All the data water flow, cooling / heating capacity and power input are on the capacity tables according to each model and the working conditions.

- After a few minutes, when the unit will be stabilised, you have to verify:

- High and low pressure values and in addition saturation temperatures according to the correct working mode of the unit.
 - Gas reheating values are below 12°C.
- If it is not correct, please check expansion system and refrigerant leaks.



If the compressor noise is very high and in addition, high and low pressure values are similar, it can be possible a wrong phase electrical connection. In this case, please change the connection for two phases.

- Outlet and inlet water temperature are correct according to the water flow which is between specified values.

- After verify the correct working mode, please stop the unit, disconnect the gauges and temperature probes. and clean water filter.

The unit can be work properly until next maintenance revision.

3.1.- PRELIMINARY CHECKS BEFORE STARTUP

- Check that the **power supply** is the same as stated on the Rating Plate which is in agreement with the electrical diagram for the unit and that cable sizes are correct.
- Check that **tightness of the electrical connections to their terminals and to ground.**
- Check the **control panel connections.**
(If the connection is incorrect, the unit will not operate and the control panel display will not light).
- Check with your hand that the **fans are turning freely.**

3.2.- PRELIMINARY CHECKS AT STARTUP

To start the unit, **follow the instructions given in the User Manual for the control** supplied with the unit (requiring operation in any of the modes, cooling, heating, or automatic).

After a time delay, the unit will start.

With the unit operating, check that the **fans are turning freely and in the correct direction.**

CHECK THAT THE COMPRESSOR IS ROTATING IN THE CORRECT DIRECTION.

- If you have the option phase rotation indicator, use it to check the correct rotation.
- If you do not have three phase return lock, check the correct direction of rotation. The suction pressure decreases and the discharge pressure increases when the compressor is started.
- If the connection is incorrect, rotation will be reversed, causing a high noise level and a reduction in the amount of current consumed. If this occurs, the compressor's internal protection system will operate to shut down the unit. The solution is to disconnect, reverse two of the phases and connect again.

WITH OPERATING UNIT, CHECK:

- Low pressure and high pressure.
- Use the evaporating and liquid temperature to calculate superheat and subcooling.
- Adjust the refrigerant charge and/or expansion valve according to the preceding values.

COMPRESSOR OIL LEVEL

The oil level must always be checked. When the compressor is at rest, the level should be between 1/4 and 3/4 in the sight glass, while when running the level should be between 3/4 and full.

In the event of having to add oil, remember the type of oil is synthetic POE.

The original oil charge in the compressor is ICI Emkarate RL32-3MAF. This type of oil must also be used when replacing the oil completely.

When only topping up, RL32-3MAF or Mobil EAC Artic 22C can be used.

3.2.- PRELIMINARY CHECKS AT STARTUP



The unit must be installed in accordance with local safety codes and regulations and can only be used in a well ventilated area. Please read carefully the manufacturer's instructions before starting this unit

All work on the unit must be carried out by a qualified and authorised employee.

Non-compliance with the following instructions may result in injury or serious accidents.

Work on the unit:

The unit shall be isolated from the electrical supply by disconnection and locking using the main isolating switch. Workers shall wear the appropriate personal protective equipment (helmet, gloves, glasses, etc.).

Electrical system:

Electrical connections can become loose during transport. Please check them before starting-up the unit Compressors with specific rotation direction. Check the correct rotation direction of the fan before closing the compressor circuit breakers. If the direction is incorrect, the phases must be reversed at the head of the main switch. Work on electric components shall be performed with the power off (see below) by employees having valid electrical qualification and authorisation.

Refrigerating circuit(s):

After more than 12 hours of power cut, the crankcase heater (compressor) should be powered for 5 hours before any return to service. Non-compliance with this instruction can cause deterioration of the compressors.

Monitoring of the pressures, draining and filling of the system under pressure shall be carried out using connections provided for this purpose and suitable equipment.

To prevent the risk of explosion due to spraying of coolant and oil, **the relevant circuit shall be drained and at zero pressure before** any disassembly or unbrazing of the refrigerating parts takes place.

There is a residual risk of pressure build-up by degassing the oil or by heating the exchangers after the circuit has been drained. **Zero pressure shall be maintained** by venting the drain connection to the atmosphere on the low pressure side.

The brazing shall be carried out by a qualified brazier. The brazing shall comply according to code ASME section IX following the procedures specific.

Before starting up

-Test the circuit to the maximum working pressure (see the nameplate)

-Verify the operation of the high pressure switch.

-Check the piping and the components of the refrigerant circuit.

Replacing components:

In order to maintain CE marking compliance, replacement of components shall be carried out using spare parts, or using parts approved by Lennox. Only the coolant shown on the manufacturer's nameplate shall be used, to the exclusion of all other products (mix of coolants, hydrocarbons, etc.).

CAUTION:

In the event of fire, refrigerating circuits can cause an explosion and spray coolant gas and oil.



4.- MAINTENANCE

4.1.- PREVENTIVE MAINTENANCE



**PREVENTIVE MAINTENANCE PREVENTS COSTLY REPAIRS.
THIS REQUIRES PERIODIC INSPECTIONS:**

- GENERAL STATE OF THE CASING:

Furniture, paint, damage due to shocks, rust spots, levelling and supporting, condition of the shock absorbers, if installed, screwed panels, etc.

- ELECTRICAL CONNECTIONS:

State of hoses, tightness of screws, earthing, current consumption of the compressor and fans and check that the unit is receiving the correct voltage.

- COOLING CIRCUIT:

Check that the pressures are correct and that there are no leaks. Check that there is no damage to the pipe insulation, that the condition of the coils is good and that they are not blocked by bits of paper or plastic drawn in by the air flow, etc.

- COMPRESSOR:

If a sight glass is fitted, check the oil level.

Check the condition of the silentbloc mountings.

- FANS:

Check that fans turn freely and in the correct direction without excessive noise.

- CONTROL:

Check Set Points and normal operation.

4.2.- CORRECTIVE MAINTENANCE



**IMPORTANT
MAKE SURE THAT THE UNIT IS FULLY DISCONNECTED FROM THE POWER SUPPLY WHEN CARRYING OUT
ANY TYPE OF WORK ON THE MACHINE.**

If any **component** in the cooling circuit **is to be replaced**, follow these recommendations:

- Always **use original replacement parts**.

- If the component can be isolated, it is not necessary to remove the entire **refrigerant charge**, if the component cannot be isolated and the refrigerant charge is removed, it should be removed through the Schrader valves located in the outdoor section. Create a slight vacuum as a safety measure.

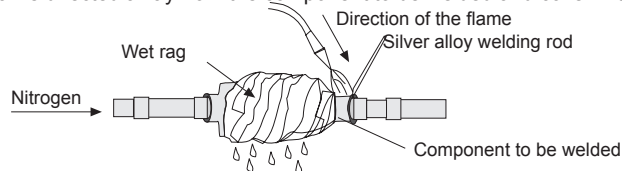
- Regulation **prohibits the release of refrigerant into the atmosphere**.

- If cuts must be made in the pipe work, use pipe cutters. **Do not use saws or any other tools that produce filings.**

- **All brazing must be carried out in a nitrogen atmosphere** to prevent corrosion forming.

- Use **silver alloy brazing rod**.

- **Take special care that the flame** from the torch is directed away from the component to be welded and cover with a wet rag to prevent overheating.



- **Take very special care if 4-way or check valves are to be replaced** since these have internal components that are very heat-sensitive such as plastic, teflon, etc.

- If a **compressor is to be replaced**, disconnect it electrically and un-braze the suction and discharge lines. Remove the securing screws and replace the old compressor with the new one. Check that the new compressor has the correct oil charge, screw it to the base and connect the lines and electrical connections.

- **Evacuate above and below through the Schrader valves** of the outdoor unit until -750 mm Hg is reached.

Once this level of vacuum has been reached, keep the pump running for at least one hour.

DO NOT USE THE COMPRESSOR AS A VACUUM PUMP.

- **Charge the unit with refrigerant** according to the data on the Rating Plate for the unit and **check that there are no leaks**.



PRECAUTIONS TO BE TAKEN WHEN USING OF R-410A Refrigerant:

R-410A refrigerant is used in the unit; the following standard precautions for this gas should therefore be taken:

- The Vacuum Pump must have a Check Valve or Solenoid Valve fitted.

- Pressure Gauges and Hoses for exclusive use with R-410A Refrigerant should be used.

- Charging should be carried out in the Liquid Phase.

- Always use scales to weigh-in charge

- Use the Leak Detector exclusive for R-410A Refrigerant.

- Do not use mineral oil, only synthetic oil to ream, expand or make connections.

- Keep pipes wrapped before using them and be very thorough about any possible dirt (dust, filings, burrs, etc.).

- When there is a leak, collect what remains of the charge, create a vacuum in the unit and completely recharge with new R-410A Refrigerant.

- Brazing should always be carried out in a nitrogen atmosphere.

- Reamers should always be well sharpened.



www.lennox europe.com

BELGIUM, LUXEMBOURG
www.lennoxbelgium.com

CZECH REPUBLIC
www.lennox.cz

FRANCE
www.lennoxfrance.com

GERMANY
www.lennoxdeutschland.com

GREAT BRITAIN
www.lennoxuk.com

NETHERLANDS
www.lennoxnederland.com

POLAND
www.lennoxpolska.com

PORTUGAL
www.lennoxportugal.com

RUSSIA
www.lennoxrussia.com

SLOVAKIA
www.lennoxdistribution.com

SPAIN
www.lennoxspain.com

UKRAINE
www.lennoxrussia.com

OTHER COUNTRIES
www.lennoxdistribution.com

Due to Lennox's ongoing commitment to quality, the Specifications, Ratings and Dimensions are subject to change without notice and without incurring liability.

Improper installation, adjustment, alteration, service or maintenance can cause property damage or personal injury.

Installation and service must be performed by a qualified installer and servicing agency.



MIL118E-0413 04-2013
Original manual translation