

  
STARVILLE

PAR64 CX-3 RGBW  
LED-PAR

Musikhaus Thomann e.K.

Treppendorf 30

96138 Burgebrach

Germany

Telephone: +49 (0) 9546 9223-0

E-mail: [info@thomann.de](mailto:info@thomann.de)

Internet: [www.thomann.de](http://www.thomann.de)

21.10.2013

# Table of contents

<b>1</b>	<b>General notes</b> .....	<b>5</b>
<b>2</b>	<b>Safety instructions</b> .....	<b>8</b>
<b>3</b>	<b>Features</b> .....	<b>12</b>
<b>4</b>	<b>Installation</b> .....	<b>13</b>
<b>5</b>	<b>Starting up</b> .....	<b>16</b>
<b>6</b>	<b>Connections and operating elements</b> .....	<b>19</b>
<b>7</b>	<b>Operation</b> .....	<b>22</b>
	7.1 Starting up the device.....	22
	7.2 Main menu.....	22
	7.3 Menu overview.....	29
	7.4 Functions in 4-channel DMX mode.....	30
	7.5 Functions in 6-channel DMX mode.....	30
	7.6 Functions in 8-channel DMX mode.....	32
<b>8</b>	<b>Technical specifications</b> .....	<b>35</b>

<b>9</b>	<b>Troubleshooting.....</b>	<b>36</b>
<b>10</b>	<b>Cleaning.....</b>	<b>38</b>
<b>11</b>	<b>Protecting the environment.....</b>	<b>39</b>


# 1 General notes



This user manual contains important information on safe operation of the device. Read and follow all safety notes and all instructions. Save this manual for future reference. Make sure that it is available to all persons using this device. If you sell the device, include the manual for the next owner.

Our products are subject to a process of continuous development. We therefore reserve the right to make changes without notice.

## **Symbols and signal words**

This section provides an overview of the symbols and signal words used in this user manual.

Signal word	Meaning
<b>DANGER!</b>	This combination of symbol and signal word indicates an immediate dangerous situation that will result in death or serious injury if it is not avoided.
<b>WARNING!</b>	This combination of symbol and signal word indicates a possible dangerous situation that can result in death or serious injury if it is not avoided.
<b>NOTICE!</b>	This combination of symbol and signal word indicates a possible dangerous situation that can result in material and environmental damage if it is not avoided.
Warning signs	Type of danger
	Warning – high-voltage.

Warning signs	Type of danger
 A yellow triangular warning sign with a black border. Inside the triangle, a black silhouette shows a person standing on a platform, with a line representing a cable or rope extending upwards from the platform to a hook or pulley above.	Warning – suspended load.
 A yellow triangular warning sign with a black border. Inside the triangle, a large black exclamation mark is centered.	Warning – danger zone.

## 2 Safety instructions

### Intended use

This device is intended to be used as an electronic illumination effect using LED technics. Use the device only as described in this user manual. Any other use or use under other operating conditions is considered to be improper and may result in personal injury or property damage. No liability will be assumed for damages resulting from improper use.

This device may be used only by persons with sufficient physical, sensorial, and intellectual abilities and having corresponding knowledge and experience. Other persons may use this device only if they are supervised or instructed by a person who is responsible for their safety.

### Safety



#### **DANGER!**

#### **Danger for children**

Ensure that plastic bags, packaging, etc. are disposed of properly and are not within reach of babies and young children. Choking hazard!

Ensure that children do not detach any small parts (e.g. knobs or the like) from the unit. They could swallow the pieces and choke!

Never let children unattended use electrical devices.





**DANGER!**

**Electric shock caused by high voltages inside**

Within the device there are areas where high voltages may be present. Never remove any covers.

There are no user-serviceable parts inside.



**DANGER!**

**Electric shock caused by short-circuit**

Always use proper ready-made insulated mains cabling (power cord) with a protective contact plug. Do not modify the mains cable or the plug. Failure to do so could result in electric shock/death or fire. If in doubt, seek advice from a registered electrician.



**WARNING!**

**Eye damage caused by high light intensity**

Never look directly into the light source.



**WARNING!**

**Risk of epileptic shock**

Strobe lighting can trigger seizures in photosensitive epilepsy. Sensitive persons should avoid looking at strobe lights.



**NOTICE!**

**Risk of fire**

Do not cover the device nor any ventilation slots. Do not place the device near any direct heat source. Keep the device away from naked flames.



**NOTICE!**

**Operating conditions**

This device has been designed for indoor use only. To prevent damage, never expose the device to any liquid or moisture. Avoid direct sunlight, heavy dirt, and strong vibrations.



**NOTICE!**

**Power supply**

Before connecting the device, ensure that the input voltage (AC outlet) matches the voltage rating of the device and that the AC outlet is protected by a residual current circuit breaker. Failure to do so could result in damage to the device and possibly injure the user.

Unplug the device before electrical storms occur and when it is unused for long periods of time to reduce the risk of electric shock or fire.

### 3 Features

The CX series brings all-new colour creations into the range of LED lights. The multi-chip LEDs provide an unprecedented colour mixing in all spectra. Pastel colours, vivid and vibrant colours and white tones can be displayed extremely precisely using the spotlights of the CX series.

Special features of this device:

- 18 × 4-in-1 quad-colour LEDs high power RGBW type
- Control via DMX (3 different modes) and via buttons and display on the unit
- Automatic mode and sound control
- Master / slave mode
- Robust metal housing

## 4 Installation

Unpack and carefully check that there is no transportation damage before using the unit. Keep the equipment packaging. To fully protect the device against vibration, dust and moisture during transportation or storage use the original packaging or your own packaging material suitable for transport or storage, respectively.

You can install the device on the wall, ceiling or floor. A mounting bracket and the necessary screws are included in the package.



### **WARNING!**

#### **Risk of injury caused by falling objects**

Make sure that the installation complies with the standards and rules that apply in your country. Always secure the device with a secondary safety attachment, such as a safety cable or a safety chain.



### **NOTICE!**

#### **Risk of overheating**

Always ensure sufficient ventilation.

The ambient temperature must always be below 40 °C (104 °F).



### **NOTICE!**

#### **Use of stands**

When mounting the device onto a stand, ensure that the stand is in a safe and stable position and that the weight of the device does not exceed the maximum permissible load capacity of the stand.

**NOTICE!****Possible data transmission errors**

For error-free operation make use of dedicated DMX cables and do not use ordinary microphone cables.

Never connect the DMX input or output to audio devices such as mixers or amplifiers.

**DMX connections**

The unit offers a 3-pin XLR socket for DMX output and a 3-pin XLR plug for DMX input. Please refer to the drawing and table below for the pin assignment of a suitable XLR plug.

Pin	Configuration
1	Ground, shielding
2	Signal inverted (DMX-, 'cold signal')
3	Signal (DMX+, 'hot signal')

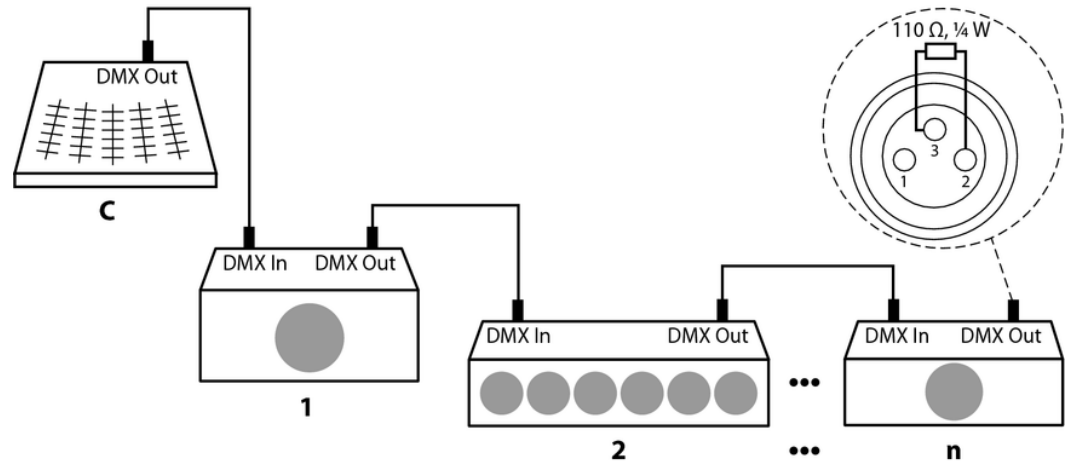
## 5 Starting up

Establish all connections as long as the unit is switched off. Use the shortest possible high-quality cables for all connections.



**Connections in DMX mode**

Connect the DMX input of the device to the DMX output of a DMX controller or another DMX device. Connect the output of the first DMX device to the input of the second one, and so on to form a daisy chain. Always ensure that the output of the last DMX device in the daisy chain is terminated with a resistor ( $110\ \Omega$ ,  $\frac{1}{4}\ \text{W}$ ).

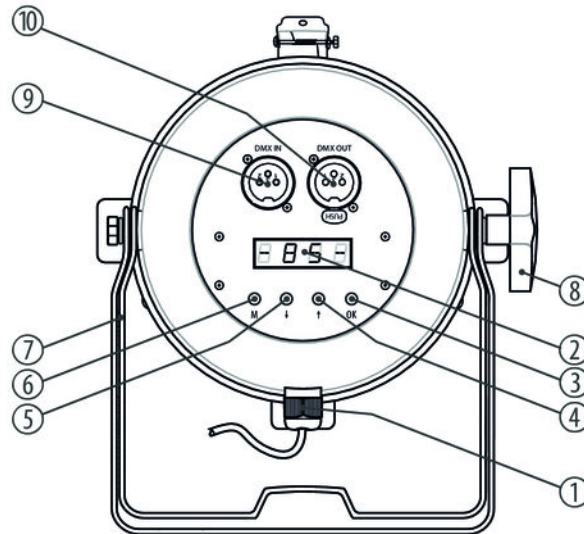


### **Connections in master/slave mode**

When you configure a group of devices in master/slave mode, the first unit will control the other units for an automatic, sound-activated, synchronized show. This function is ideal when you want to start a show immediately. Connect the DMX output of the master device to the DMX input of the first slave device. Then connect the DMX output of the first slave device to the DMX input of the second slave device and so on.

## 6 Connections and operating elements

### Rear panel



PAR64 CX-3 RGBW

1	Power chord.
2	Display.
3	[OK] button Confirms a selected value.
4,5	↑, ↓ buttons Increases / decreases the displayed value by one.
6	[M] button Calls the main menu or a submenu.
7	Bracket for hanging or setting up.
8	Locking screw for the bracket.

9	<b>DMX IN</b> DMX input.
10	<b>DMX OUT</b> DMX output.

## 7 Operation

### 7.1 Starting up the device

Connect the unit to the power grid to start the operation. After a few seconds the display shows a running reset. The unit is then ready for use.

### 7.2 Main menu

Press the *[M]* button to call the main menu and select an operating mode. Use the arrow keys to change the respectively shown value. When the display shows the desired value, press the *[OK]* button.

If you don't press any button for about a minute, the unit will return to the previous mode. The set values are retained even when the device is disconnected from the power supply.

## DMX mode

Press the *[M]* button. Press one of the arrow keys repeatedly until the display shows 'SET'. Press the *[OK]* button. Press one of the arrow keys repeatedly until the display shows 'MODE'. Press the *[OK]* button. Now use the arrow keys to select one of the following DMX operating modes:

- '4CH' (four channels)
- '6CH' (six channels)
- '8CH' (eight channels)

This setting is only relevant if the device is controlled via DMX. When the display shows the desired value, press the *[OK]* button to confirm the selection. Then press *[M]* to return to the higher menu level. To return to the higher menu level without changes, press the *[M]* button.

### DMX address

Press the *[M]* button. Press one of the arrow keys repeatedly until the display shows 'DMX'. Press the *[OK]* button. Now you can set the number of the first DMX channel to be used by the device (DMX address). Use the arrow keys to select a value between 1 and 512 (the display shows 'A001' ... 'A512').

When the display shows the desired value, press the *[OK]* button to confirm the selection. Then press *[M]* to return to the higher menu level. To return to the higher menu level without changes, press the *[M]* button.

Make sure that this number matches the configuration of your DMX controller. The following table shows the highest possible DMX address for the different DMX modes.

Mode	Highest possible DMX address
4-channel	509
6-channel	507
8-channel	505



**Operating mode 'Show/Master'**

Press the *[M]* button. Press one of the arrow keys repeatedly until the display shows 'LINE'. Press the *[OK]* button. Press one of the arrow keys repeatedly until the display shows 'MA'. Press the *[OK]* button. Now you can select one of the preprogrammed automatic shows. Use the arrow keys to select a value between 1 and 42 (the display shows 'P-01' ... 'P-42').

The automatic show can only be activated on the device that operates as 'Master'.

This setting is only relevant if the device is not controlled via DMX. The device can operate in standalone mode or control connected devices of the same type, that have to be configured as 'Slaves'. When the display shows the desired value, press the *[OK]* button to confirm the selection and then *[M]* to return to the higher menu level. To return to the higher menu level without changes, press the *[M]* button.

**Operating mode 'Slave'**

Press the *[M]* button. Press one of the arrow keys repeatedly until the display shows 'LINE'. Press the *[OK]* button. Press one of the arrow keys repeatedly until the display shows 'SL'. Press the *[OK]* button. Now you can set the number of the device by which it is addressed as slave by the master. Use the arrow keys to select a value between 1 and 512 (the display shows 'A001' ... 'A512').

This setting is only relevant if the device is operated as slave by a master, but is not controlled via DMX. When the display shows the desired value, press the *[OK]* button to confirm the selection and then *[M]* to return to the higher menu level. To return to the higher menu level without changes, press the *[M]* button.

### **Programme speed**

Press the *[M]* button. Press one of the arrow keys repeatedly until the display shows 'SET'. Press the *[OK]* button. Press one of the arrow keys repeatedly until the display shows 'SPEE'. Press the *[OK]* button. Now you can set the programme speed for the preprogrammed automatic shows. Use the arrow keys to select a value between 1 and 255 (the display shows 'T001' ... 'T255').

This setting is only relevant if the device is not controlled via DMX. When the display shows the desired value, press the *[OK]* button to confirm the selection and then *[M]* to return to the higher menu level. To return to the higher menu level without changes, press the *[M]* button.

### **Microphone sensitivity**

Press the *[M]* button. Press one of the arrow keys repeatedly until the display shows 'SET'. Press the *[OK]* button. Press one of the arrow keys repeatedly until the display shows 'MIC'. Press the *[OK]* button. Now you can adjust the sensitivity of the built-in microphone for the sound-control. Use the arrow keys to select 'OFF' (microphone off) or a value between 1 and 30 (the display shows 'M-01' ... 'M-30').

This setting is only relevant if the device is not controlled via DMX. When the display shows the desired value, press the *[OK]* button to confirm the selection and then *[M]* to return to the higher menu level. To return to the higher menu level without changes, press the *[M]* button.

## Manual test

Press the *[M]* button. Press one of the arrow keys repeatedly until the display shows 'TEST'. Press the *[OK]* button. Press one of the arrow keys repeatedly until the display shows 'RED', 'GREE', 'BLUE', 'WHIT' or 'STRO'. Press the *[OK]* button. Now you can adjust the brightness of the red, green, blue or white LEDs in a range from 0 to 255, or select the flash rate in a range from 0 to 24.

This operating mode can also be used to create constant or flashing light mixed from the four LED colours without using a DMX controller.

When the display shows the desired value, press the *[OK]* button to confirm the selection and then *[M]* to return to the higher menu level. To return to the higher menu level without changes, press the *[M]* button.

## Fade speed

Press the *[M]* button. Press one of the arrow keys repeatedly until the display shows 'FADE'. Press the *[OK]* button. Now you can set the fade speed of the preprogrammed automatic shows. Use the arrow keys to select a value between 1 and 7 (the display shows 'F-01' ... 'F-07').

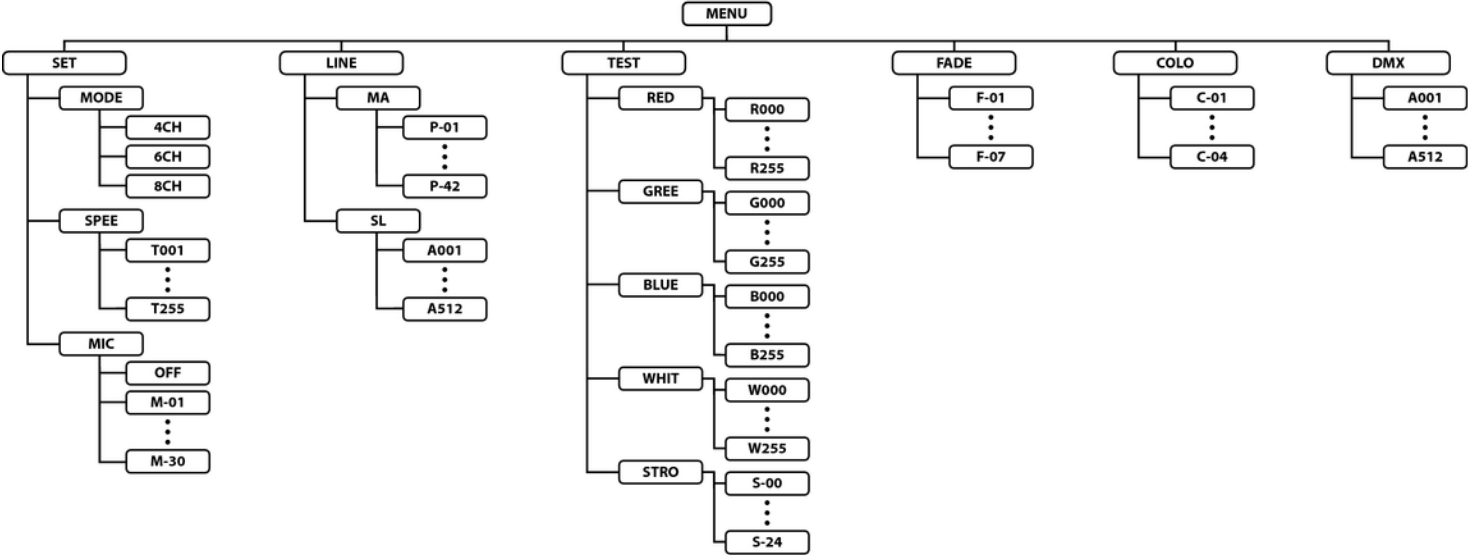
This setting is only relevant if the device is not controlled via DMX. When the display shows the desired value, press the *[OK]* button to confirm the selection and to return to the main menu. To return to the main menu without changes, press the *[M]* button.

### **Colour selection**

Press the *[M]* button. Press one of the arrow keys repeatedly until the display shows 'COLO'. Press the *[OK]* button. Now you can set a base colour for the preprogrammed automatic shows. Use the arrow keys to select a value between 1 and 4 (the display shows 'C-01'... 'C-04').

This setting is only relevant if the device is not controlled via DMX. When the display shows the desired value, press the *[OK]* button to confirm the selection and to return to the main menu. To return to the main menu without changes, press the *[M]* button.

### 7.3 Menu overview



## 7.4 Functions in 4-channel DMX mode

Channel	Value	Function
1	0...255	Intensity red (0 % to 100 %)
2	0...255	Intensity green (0 % to 100 %)
3	0...255	Intensity blue (0 % to 100 %)
4	0...255	Intensity white (0 % to 100 %)

## 7.5 Functions in 6-channel DMX mode

Channel	Value	Function
1		Operating mode selection
	0...63	Constant colour, colouring is determined by channels 2 to 5

Channel	Value	Function
	64...127	Automatic colour change with 7 colours, channels 2 to 5 have no function
	128...191	Automatic colour change with 12 colours, channels 2 to 5 have no function
	192...255	Automatic colour change with 4 colours, channels 2 to 5 have no function
2	0...255	Intensity red (0 % to 100 %), if channel 1 = 0...63
3	0...255	Intensity green (0 % to 100 %), if channel 1 = 0...63
4	0...255	Intensity blue (0 % to 100 %), if channel 1 = 0...63
5	0...255	Intensity white (0 % to 100 %), if channel 1 = 0...63
6	Effects speed and sensitivity for the sound-control	
	0...10	No automatic colour change
	11...255	Automatic colour change as set by channel 1, decreasing speed from fast to slow, if channel 1 = 64...127

Channel	Value	Function
		Automatic colour change as set by channel 1, increasing speed from slow to fast, if channel 1 = 128...191
		Sensitivity of the built-in microphone for the sound-control (from insensitive to very sensitive), if channel 1 = 192...255

## 7.6 Functions in 8-channel DMX mode

Channel	Value	Function
1	0...255	Intensity red (0 % to 100 %), if channel 5 = 0...15 and channel 7 = 0...31
2	0...255	Intensity green (0 % to 100 %), if channel 5 = 0...15 and channel 7 = 0...31
3	0...255	Intensity blue (0 % to 100 %), if channel 5 = 0...15 and channel 7 = 0...31
4	0...255	Intensity white (0 % to 100 %), if channel 5 = 0...15 and channel 7 = 0...31
5	Fixed colour pattern	



Channel	Value	Function
	0...15	No fixed colour and movement pattern
	16...255	One of 31 preprogrammed colours, channels 6 and 7 without function
6	Strobe effect	
	0...15	Full brightness, no strobe effect
	16...255	Strobe effect, increasing speed if channel 5 = 0...15
7	Operating mode selection	
	0...31	Constant colour, colouring is determined by channels 1 to 4
	32...63	Fade-out effect, speed controlled by channel 6
	64...95	Fade-in effect, speed controlled by channel 6
	96...127	Fade-in-out effect, speed controlled by channel 6
	128...159	Auto-mix effect, speed controlled by channel 6, channels 1 to 5 without function
	160...191	Chase (4 colours), speed controlled by channel 6, channels 1 to 5 without function
	192...223	Chase (12 colours), speed controlled by channel 6, channels 1 to 5 without function

Channel	Value	Function
	224...255	Sound-control
8	0...255	Dimmer (0 % to 100 %)

## 8 Technical specifications

LEDs	18 × 4in1 quad colour, high power RGBW type
Dispersion angle	25 °
Number of DMX channels	4, 6, 8
Operating voltage supply	AC 230 V ~ , 50 Hz
Power consumption	152 W
Housing colour	Black (item no. 281569) Silver (item no. 281570)
Dimensions (W × D × H)	270 mm × 270 mm × 330 mm
Weight	3.4 kg

## 9 Troubleshooting



### **NOTICE!**

#### **Possible data transmission errors**

For error-free operation make use of dedicated DMX cables and do not use ordinary microphone cables.

Never connect the DMX input or output to audio devices such as mixers or amplifiers.

In the following we list a few common problems that may occur during operation. We give you some suggestions for easy troubleshooting:

Symptom	Remedy
The unit does not work, no light.	Check the mains connection and the fuse.
No response to the DMX controller.	1. Check the DMX ports and cables for proper connection.
	2. Check the address settings and the DMX polarity.
	3. Try using another DMX controller.
	4. Check to see if the DMX cables run near or alongside to high voltage cables that may cause damage or interference to DMX interface circuits.

If the procedures recommended above do not succeed, please contact our Service Center. You can find the contact information at [www.thomann.de](http://www.thomann.de).

## 10 Cleaning

### Optical lenses

Clean the exterior of accessible optical lenses periodically to optimise light output. The frequency of cleaning depends on the operating environment: wet, smoky or particularly dirty surroundings can cause more accumulation of dirt on the optics of the device.

- Clean with a soft cloth using normal glass cleaning products.
- Always dry the parts carefully.

## 11 Protecting the environment

### Disposal of the packaging material



For the transport and protective packaging, environmentally friendly materials have been chosen that can be supplied to normal recycling.

Ensure that plastic bags, packaging, etc. are properly disposed of.

Do not just dispose of these materials with your normal household waste, but make sure that they are collected for recycling. Please follow the notes and markings on the packaging.

### Disposal of your old device



This device is subject to the European directive 2012/19/EU.

Do not dispose of the device with your normal household waste.

Dispose of this device through an approved waste disposal firm or through your local waste facility. When discarding the device, comply with the rules and regulations that apply in your country. If in doubt, consult your local waste disposal facility.





PAR64 CX-3 RGBW





