



## Ultima Light Source

Models Covered by this manual:

UFO-250-UG  
UFO-250-UP  
UFO-250-UGC  
UFO-250-UPC  
UFO-250-UGCF  
UFO-250-UPCF  
UFO-250-UGCFF  
UFO-250-UPCFF  
UFO-250-UGCS  
UFO-250-UPCS  
UFO-250-UGCFS  
UFO-250-UPCFS  
UFO-250-UGCSS  
UFO-250-UPCSS

Universal Fibre Optics

Home Place | Coldstream | TD12 4DT | United Kingdom

Tel: +44 (0)1890 883416 | Fax: +44 (0)1890 883062

[www.fibreopticlighting.com](http://www.fibreopticlighting.com)

## INTRODUCTION

Thank you for purchasing this UFO light source.

Please read these instructions fully before connecting your unit to the electrical supply, and keep them for future reference.

A high performance 250W metal halide light source for ultimate brightness which can be fitted with a choice of wheels for decorative lighting effects.

We do not recommend that the light source be left on for 24 hours a day, 7 days a week as lamp life will be impaired. A switch off of 30mins per day is recommended.

## IMPORTANT

THIS PRODUCT MUST BE INSTALLED IN ACCORDANCE WITH THE APPLICABLE INSTALLATION CODE BY A PERSON FAMILIAR WITH THE CONSTRUCTION AND OPERATION OF THE PRODUCT AND THE HAZARDS INVOLVED



**Do not operate without complete lamp enclosure in place or if lens is damaged.**

**KEEP HARNESS IN PLACE WHEN IN OPERATION.**

**CAUTION: Hot surface. Keep away from curtains and other combustible materials.**

**WARNING: RISK OF FIRE/INJURY TO PERSONS. Keep away from combustibles. Unplug to change lamp. Do not touch lamp.**

**WARNING: RISK OF FIRE. Do not place lamp where the overhead surface is closer than 0.3m to the light source.**

## **IMPORTANT SAFETY INFORMATION**

INSTRUCTIONS PERTAINING TO A RISK OF FIRE, ELECTRIC SHOCK OR INJURY TO PERSONS

### **IMPORTANT SAFETY INSTRUCTIONS**

Lighted Lamp is HOT:

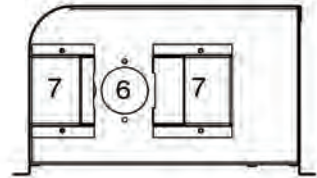
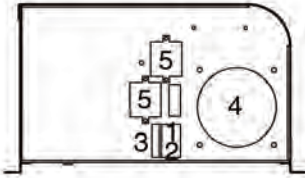
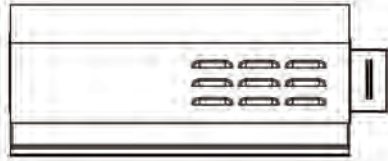
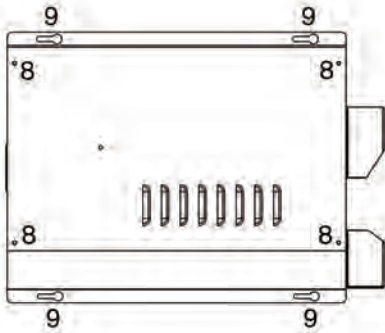
**WARNING – To reduce the risk of FIRE, ELECTRIC SHOCK OR INJURY TO PERSONS:**

1. Unplug and allow to cool before replacing lamp.
2. Lamp gets HOT quickly! Only contact plug when turning on.
3. Do not touch hot lens, guard, or enclosure.
4. Do not remain in light if skin feels warm.
5. Do not look directly at lighted lamp.
6. Keep lamp away from materials that may burn.
7. Use only with the correct lamp wattage as detailed on the serial label.  
Failure to adhere to this will cause damage to the unit.
8. Do not touch the lamp at any time. Use a soft cloth. Oil from skin may damage lamp.
9. Do not operate product with missing or damaged guard, lamp containment barrier, lens or fibre optic harness.
10. **WARNING -** Lamp types are matched to the ballast and different wattages/types cannot be used.

### **SAVE THESE INSTRUCTIONS**

- Always disconnect the unit from the power supply before opening or attempting to perform any work on it.
- **UNIT MAY GET HOT** - always allow unit to cool down before handling or moving it.
- Do not touch or attempt to remove the lamp while it is hot.
- Ensure that the power supply is correct for the unit before powering it up.
- Always ensure that the unit is properly **EARTHED**.
- Do not expose the unit to rain or moisture.
- Keep away from all combustible materials.
- Never attempt to tamper with the wiring or other internal components.
- Keep the unit away from gas, oil and any other flammable or explosive materials.

## LIGHT SOURCE LAYOUT



Item	Description
1	Mains Input Socket
2	Fuse Drawer
3	Power Indicator Light
4	Cooling Fan
5	Separate Feed Power Inputs
6	Fibre Port
7	Motor Covers
8	4 x Access Screws
9	4 x Mounting Holes

## INSTALLATION GUIDE

In order for the Ultima light source to function safely and efficiently it must be installed according to this user manual. Please read all sections thoroughly before switching on the light source.

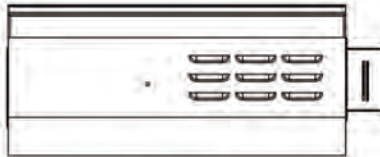
### POWER SUPPLY REQUIREMENTS

Before plugging in the unit, please make sure that the supply is correct. Failure to do so could cause the unit to malfunction. The unit requires a 240VAC 50Hz supply and it **MUST BE EARTHED**. The light source units are provided with a cordset fitted with a standard plug. **UNIT MUST NOT BE DIMMED**.

### POSITIONING THE UNIT



Standard horizontal mounting  
(on shelf / table)



Upside down mounting  
(fixed to underside of shelf)



Vertical mounting  
(fixed to wall)

The light source can be mounted horizontally, vertically or upside-down on any flat surface. Keyhole slots are provided on the base of the unit to allow for securing to a surface. The light source is only suitable for use in a dry area.

If the unit is being mounted at a higher than the ground level, block access below the work area before installing.

Verify that any screws or bolts can safely bear the weight of the light source.

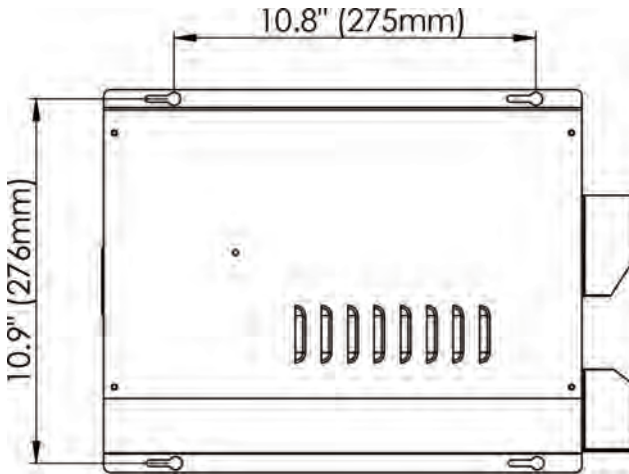
## INSTALLATION GUIDE (Continued)

Verify that the supporting structure can safely bear the weight of all installed units, cables and any other equipment.

For horizontal mounting, it is recommended that the light source is secured to a solid surface using 4 x M4 or M5 screws or bolts and the keyhole slots. This is particularly important if the light source location is not at ground floor level.

To mount the light source vertically, first securely install 4 x M4 or M5 screws or bolts at the required distances so that they will line up with the keyhole slots. The light source can then be mounted onto them and slid into position. The bolts or screws **MUST** then be fully tightened.

To mount the light source under a surface, first securely install 4 x M4 or M5 screws or bolts at the required distances so that they will line up with the keyhole slots. The light source can then be mounted onto them and slid into position. The bolts or screws **MUST** then be fully tightened.



### CLEARANCE / VENTILATION

It is imperative that a gap of 300mm or more is left around the unit. This is to allow air to circulate and prevent overheating. The location must have free ventilation.

## INSTALLATION GUIDE (Continued)

### CONNECTION

There are 2 main connections required - the fibre port and the mains power supply. Connect and secure the fibre optic connector to the fibre port before connecting the electrical supply. Never run the light source with the fibre connector unplugged. For separate feed units, there will be additional power connections required.



### OPERATION

After installing and connecting the light source as described above, all you have to do is turn the power on. The lamp will take 3-4 minutes to reach full brightness. This is normal for this type of light source.

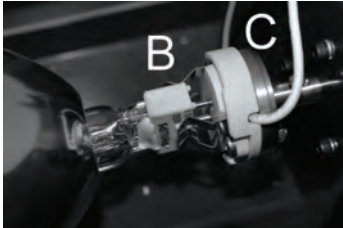
If no light is produced, please consult the TROUBLESHOOTING section in this manual

## MAINTENANCE

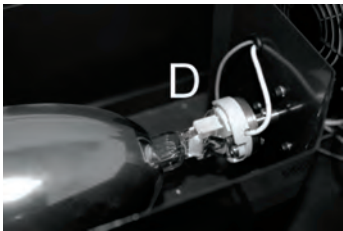
**LAMP REPLACEMENT - Recommend Lamp change every 12 months for Metal Halide Lamps should not be run to the end of their life.**



- 1) Disconnect the light source from the power supply and allow to cool for 10 to 15 minutes.
- 2) Remove the cover (A) from the light source.



- 3) The lamp is located near the rear of the light source. To free the lamp from its holder, gently pull the lamp forwards (B). DO NOT unscrew the brass holder (C) as this will impair the light output.



- 4) Dispose of the old lamp carefully.
- 5) Fit the new lamp (D). DO NOT touch the lamp glass as this may cause it to EXPLODE. If you do, carefully clean it with a lint-free cloth and alcohol.
- 6) Replace the lid, and reconnect to the power supply.

## FUSE REPLACEMENT



- 1) Unplug unit from electrical supply and allow to cool.
- 2) The fuse is located in a drawer under the mains input connector. There is also a spare fuse located in this drawer.
- 3) Open the fuse drawer.
- 4) Withdraw fuse from its holder
- 5) Replace with identically specified fuse - see specification table in this manual.
- 6) Close the fuse drawer and power up the light source.



## MAINTENANCE (Continued)

### CLEANING THE UNIT

Disconnect unit from power supply and allow to cool before attempting any cleaning of the unit.

A visual check of the unit should be completed every 12 months. However cleaning should take place as and when required.

The body of the unit can be cleaned with a soft, damp cloth - do not use any abrasives on the unit.

The fans and vents should be kept clear by periodically blowing them out with compressed air.

Glass filter to be cleaned with soap and water then dried.

**Please note that a record of all maintenance MUST be kept in the table below, indicating what maintenance was undertaken and when. This must be DATED for warranty purposes.**

Date	Maintenance Undertaken

## TROUBLESHOOTING

Problem	Probable cause(s)	Remedy
Unit is completely dead - Lamp and LED power indicator are not illuminated	Main fuse blown	Check and replace fuse.
	No power to unit	Check that power is switched on and power supply is plugged in.
LED power indicator & fan are on, but no light is output	Lamp blown	Replace lamp
	Thermal switch activated	Allow unit to cool for 5 to 10 minutes and investigate reason for overheating
	Lamp wires are not connected	Check plug connection - ensure lamp is properly seated in its holder and the pins are fully mated
Poor light output	Lamp needs replacing	Replace lamp
	Unit needs cleaning	Clean reflector and glass lens
	Incorrect power supply	Ensure power supply is 240VAC 50Hz
	Fibre port connector not plugged in correctly	Ensure fibre port connector is plugged in correctly, and that the screw is tightened up properly
Lamp going on & off randomly	Unit is overheating	Allow unit to cool for 5 to 10 minutes and investigate reason for overheating
Decorative wheel not turning on separate electrical feed models	No power to separate feed	Check power is switched on and unit is plugged in
		Check and replace fuse if necessary
	Motor faulty	Replace motor

Please complete troubleshooting procedures before returning unit to us for further investigation.

## TECHNICAL SPECIFICATIONS

Description	Ultima 250W
Port connector size	30mm diameter
Fibre type	Glass & PMMA
Supply voltage	240VAC 50Hz
Lamp power	250W
Input power	360VA @ 240VAC
Start up current	8.7A @ 240VAC
Running current	1.5A @ 240VAC
Min. ambient temp.	-20°C
Max. ambient temp.	40°C
Thermal protection	Self reset thermal switch
Ballast type	Magnetic
Fan type	Sunon DP200A or Adda AA1282HS-AT & Papst 8550N
Power cord	IEC mains cable
Main fuse	6.3 Amp
Lamp type	Metal halide
Lamp model	Philips MSD250/2 (Glass) BLV MHR 250N (PMMA)
*Lamp life	c. 3000h (Glass) c. 5000h (PMMA)
Lamp colour temp.	8500K (Glass) 4200K (PMMA)
Lamp CRI	70 (Glass) 72 (PMMA)
Colour wheel	5 colours plus white
Standard wheel colours	Green, blue, yellow, purple, orange
Acoustic rating	47.5dB(A)
Operating environment	Indoor / dry
Protection rating	IP20
Material	Sheet steel
Colour	Black powder coated
Size	L 407mm x W 290mm x H 165 mm
Weight	13.84kg

\* lamp life as stated by manufacturer in optimum conditions

**Universal Fibre Optics**

Home Place | Coldstream | TD12 4DT | United Kingdom

Tel: +44 (0)1890 883416 | Fax: +44 (0)1890 883062

[www.fibreopticlighting.com](http://www.fibreopticlighting.com)