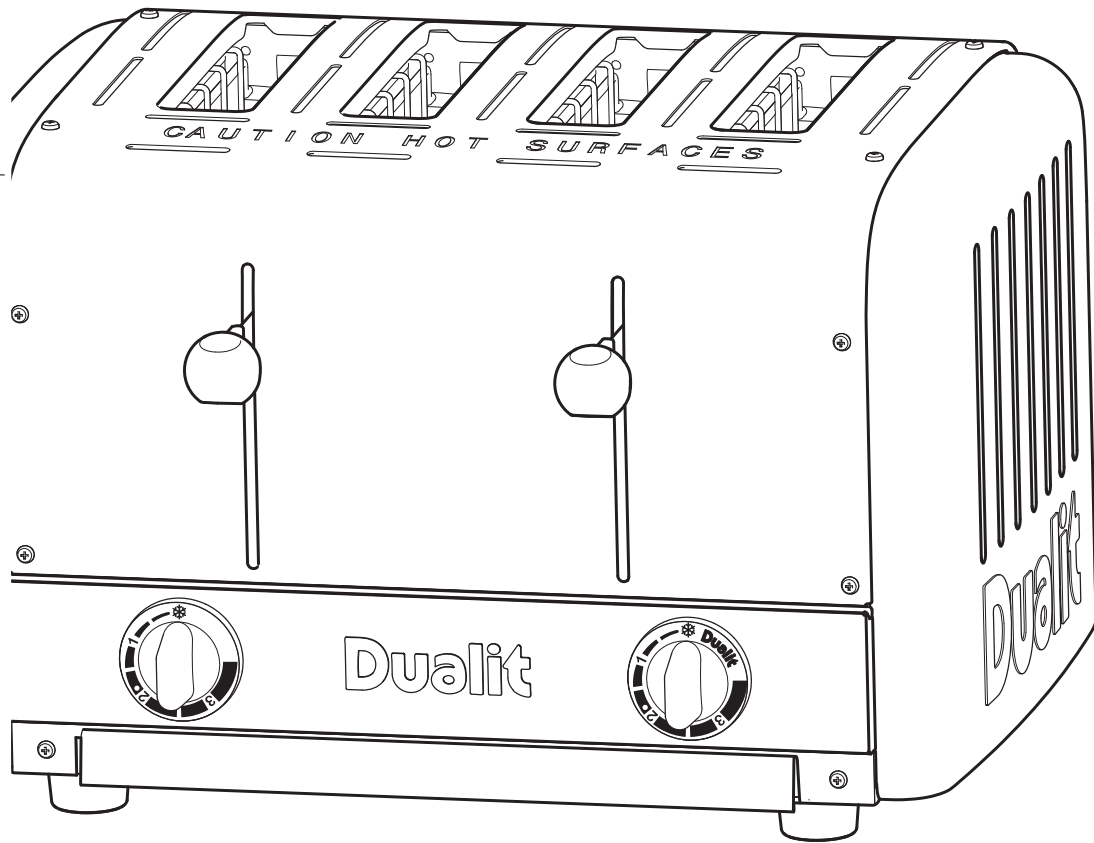


Catering Pop Up Toaster

Instruction Manual & Guarantee



CONTENTS

Safety precautions	4
Before first use	5
Know your toaster	6
Toasting bread	8
Toasting tips	9
Cleaning and care	10
Troubleshooting	11
Replacement parts	12
Replacing elements	13
Guarantee	14

SAFETY PRECAUTIONS

READ ALL INSTRUCTIONS

BEFORE USING THE TOASTER
KEEP THESE INSTRUCTIONS FOR
FUTURE REFERENCE

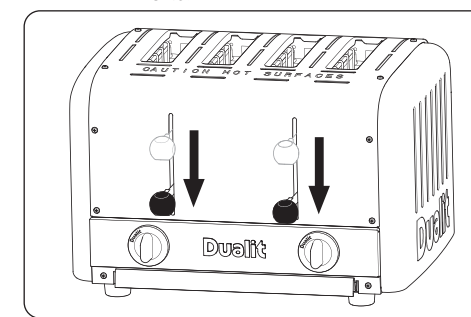
- WARNING: This appliance must be earthed.
- We recommend that the toaster is plugged into a socket that has no other appliance connected to it. Failure to do this may cause an overload, trip a circuit breaker or blow a fuse. Preferably the socket outlet should be protected by a Residual Current device (RCD)
- Before plugging in, check that the voltage on the rating label is the same as the mains supply.
- To protect against electric shock, do not immerse any part of this product in water or other liquid.
- Unplug from outlet when not in use and before cleaning. Allow to cool before putting on or taking off parts.
- Do not operate the appliance with a damaged cord or plug.
- Do not allow cable to touch hot surfaces, or to hang over edge of a table or counter top.
- When in use a fire may occur if the toaster is covered or touching flammable material.
- Do not attempt to dislodge bread when the toaster is plugged in.
- Bread may burn. Therefore toasters must not be used near or below curtains and other combustible materials.
- When toasting do not leave appliance unattended.

THIS IS AN ATTENDED APPLIANCE

- This appliance is not intended for use by persons (including children) with reduced physical, sensory or mental capabilities, or lack of experience and knowledge, unless they have been given supervision or instruction concerning use of the appliance by a person responsible for their safety.
- Children should be supervised to ensure that they do not play with this appliance.
- Do not store toaster in an appliance garage or cover.
- Do not use outdoors.
- The toaster is not intended to be operated by means of an external timer or separate remote-control system.
- Accessible surfaces of the toaster may get hot during use.
- NOTE: Any plug cut from power supply cord should be disposed of immediately. Inserting any cut off Plug into a 13A socket-outlet is hazardous.

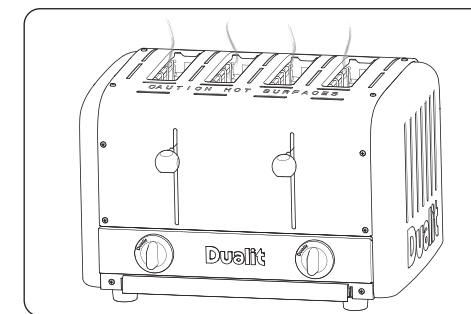
IMPORTANT - BEFORE USING

Your Dualit catering toaster has patented ProHeat elements. These elements need to be conditioned before toasting for the very first time. This will also eliminate the new smell, then you can continue to toast as per the instructions.



Place toaster in a well ventilated area. Turn both browning controls to '4' and push down both toasting levers to turn on. Ensure **NO** bread is in the slots.

Some smoke may vent from the slots, **THIS IS NOT A FAULT** and is perfectly safe. There may be a new smell and popping crinkling sound, this is due to heat expansion of the elements and is perfectly normal.



Your toaster is now conditioned and ready for use.

- Never use the plug without the fuse cover fitted. Ensure replacement fuse is the same current value as original.
- Replacement fuses should be ASTA approved to BS 1362.
- Do not operate any appliance with a damaged lead or plug, or after the appliance malfunctions, or has been damaged in any manner.

If the supply cord is damaged, it must be replaced by the manufacturer, its service agent or similarly qualified persons in order to avoid a hazard.

SAVE THESE INSTRUCTIONS

Where used this symbol denotes surfaces may get hot during use.



In the interest of improving products, Dualit Ltd. reserves the right to change the product specification without prior notice.

KNOW YOUR TOASTER

Unpack the box with care, keeping all the packaging materials until you are satisfied everything is present and in working order. Once satisfied remove any tags from the toaster and recycle the packaging appropriately.

PROHEAT ELEMENTS

Patented heavy duty replaceable elements.

STAINLESS STEEL BODY

TOASTING LEVER

Double slot control and cancel toasting lever

CRUMB TRAY

Keeps your work surfaces clear of crumbs.

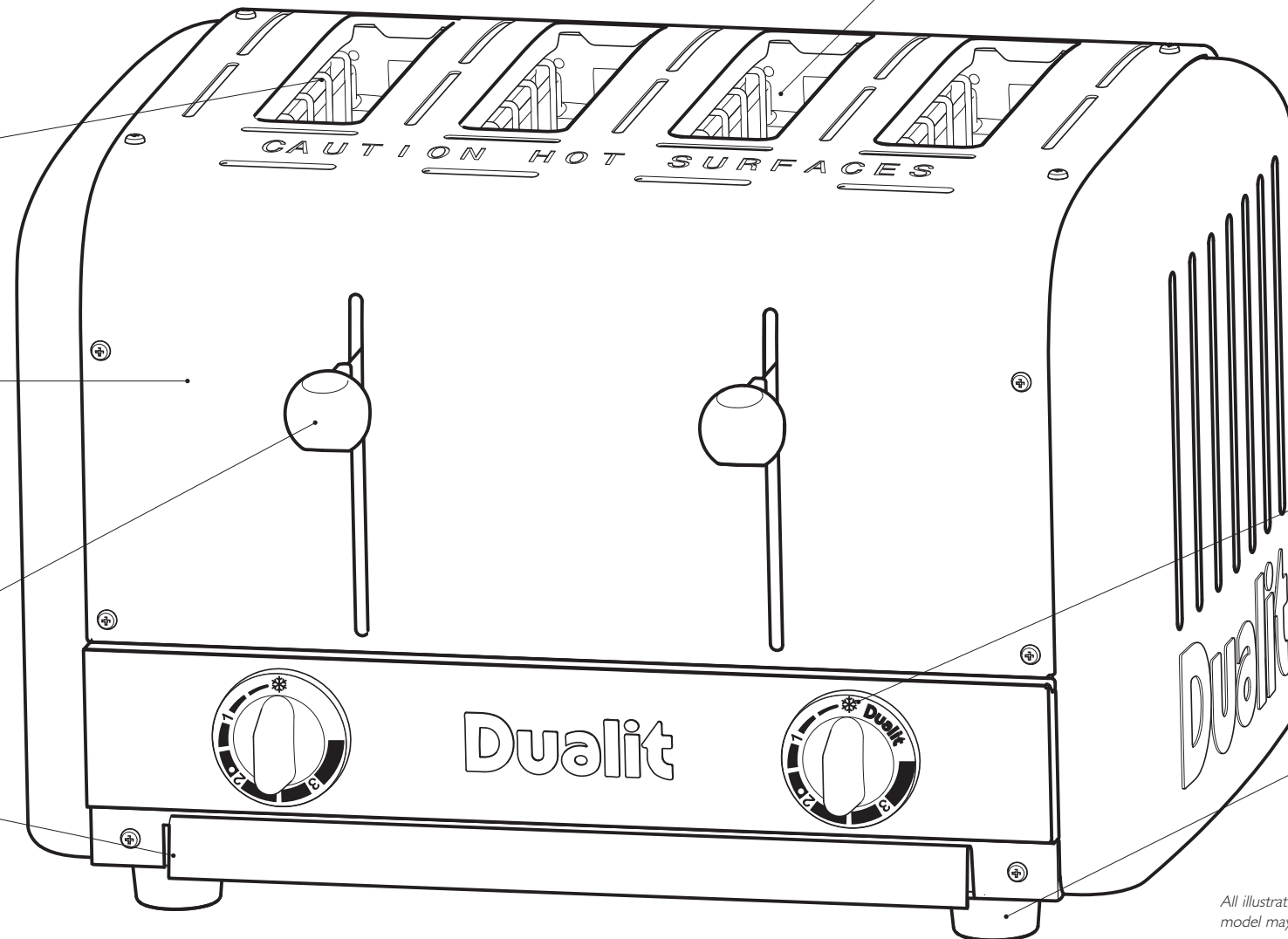
WIDE SLOTS

Wide slots to fit thick bread.

TOASTING CONTROL

Use to set defrost setting or the level of browning required

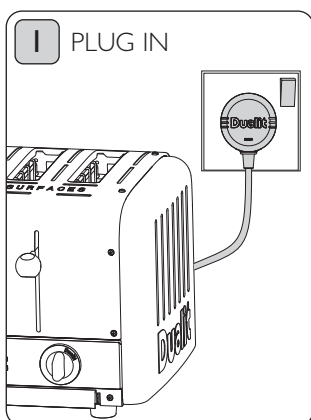
FEET



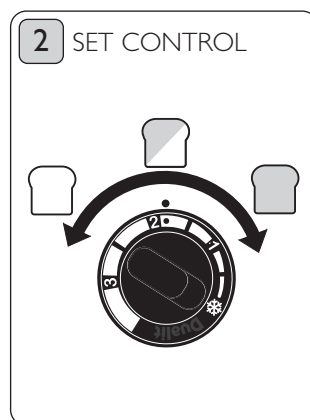
All illustrations are for representation only, your model may differ from illustrations shown.

TOASTING BREAD

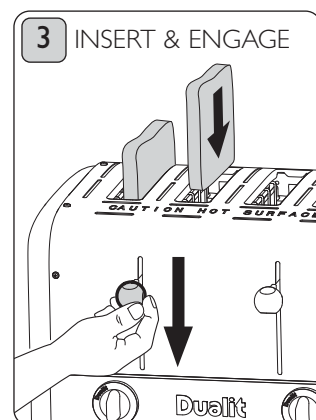
The toasting control senses and adjusts the level of browning to make consistently even toast. You will quickly get to know where to set the 'Toasting control' for your particular bread.



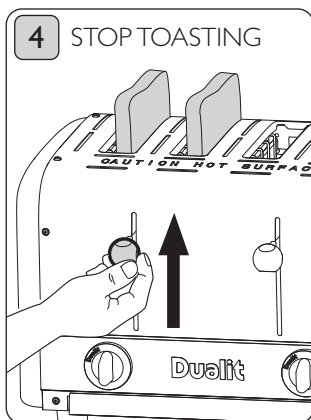
Plug the toaster into the wall power socket and turn power on at socket.



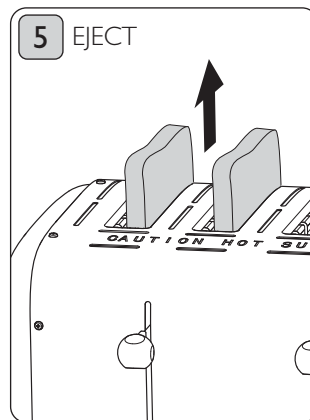
Set to snowflake to defrost, 1 for light, 2 for medium & 3 for dark toast. The black dot is a guide setting for fresh medium sliced white bread.



Place the bread into the slots and press the toasting lever down until it engages.



You can CANCEL toasting manually at any time by lifting the toasting lever.



When the toasting cycle is complete the slices will pop up automatically and are ready for removal from the slots.

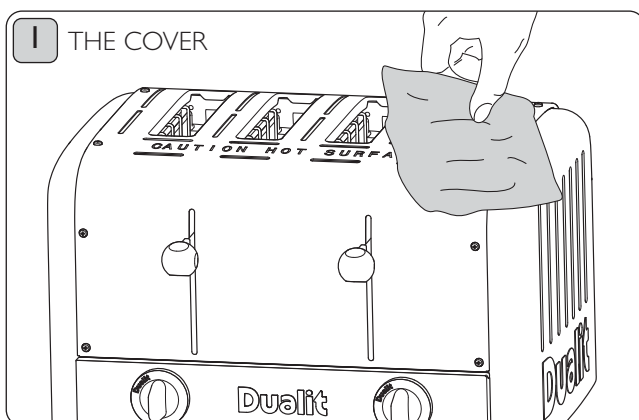
TOASTING TIPS

Here are a few tips to help get the best out of your toaster:

- **FULLY LOAD ALL HEATED UP SLOTS.** If a slot is heated but no bread is inserted, the bread in the adjacent slot will toast unevenly.
- **DIFFERENT BREADS WILL TOAST AT DIFFERENT RATES,** wholemeal bread take longer than white bread, fresh bread will take longer than day old bread. Remember to adjust your browning control to allow for your particular type of bread.
- The thickest slice of bread that will fit in your toaster is 30 mm thick. Bread which is too thick may get stuck if forced into the slots.
- When hand cutting a fresh loaf, cut the slices as evenly as possible. Uneven slices will toast unevenly.
- Keep elements free from breadcrumbs and broken pieces of bread. If left these may burn out the elements. With the toaster unplugged use a soft brush to clean inside your toaster; do not use a knife!
- Cancel toasting manually at any time by lifting the ejector lever.

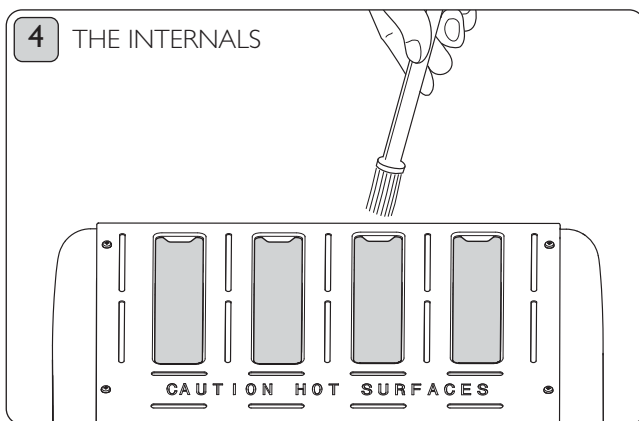
CLEANING & CARE

IMPORTANT: ENSURE THE TOASTER IS UNPLUGGED AND ALLOWED TO FULLY COOL BEFORE STARTING TO CLEAN.

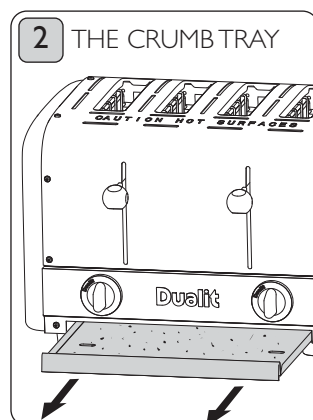


AFTER EACH USE

Wipe the 'stainless steel body' with a non-abrasive cloth. A stainless steel cleaner can be used to restore shine to the toaster; but do not use an aggressive cleaner or one that contains ammonia.



With the toaster unplugged use a **SOFT BRUSH** to clean inside your toaster; do not use a sharp or metal utensil! Crumbs should be carefully brushed off the elements using only a soft brush, the toaster can be turned upside down and excess crumbs be shaken out.



Empty the 'crumb tray' on a daily basis.

TROUBLESHOOTING

ONE SLOT IN MY TOASTER IS NOT WORKING:

- One or both of the elements in that slot will need replacing, call the helpline or visit www.dualit.com/support for replacements.

MY TOASTER IS NOT WORKING:

- Your plug fuse may have blown or your timer may need replacing.
- Check the toaster is plugged in.
- Your elements may need replacing.

I GET UNEVEN TOASTING:

- Ensure size and type of bread being toasted is the same.

MY TOAST GETS STUCK WHEN I EJECT FROM THE TOASTER:

- Slices thicker than 30mm will get stuck.
- Hand cut slice must be cut evenly

SMOKE COMING OUT OF THE SLOTS

- If this is the first time using your toaster, this is normal. Your elements are being conditioned.
- Empty the crumb tray. A build up of crumbs can burn or cause a fire.
- Some crumbs or pieces of bread may be stuck in the toaster. Unplug, remove the crumb tray then turn the toaster upside down over a sink or bin and gently shake the crumbs out or use a soft brush to clean inside your toaster.

REPLACEMENT PARTS

The Catering Pop Up toaster is also kind on the environment, all parts are repairable or replaceable, you don't throw away a Dualit Catering Pop Up toaster, for a nominal cost we fix it for you!

Dualit repairs department regularly receive toasters over 40 years old. They are fixed and go back to the owner in full working order. If your toaster needs a repair, simply contact our helpline on 01293 652 500 for repair or servicing advice.

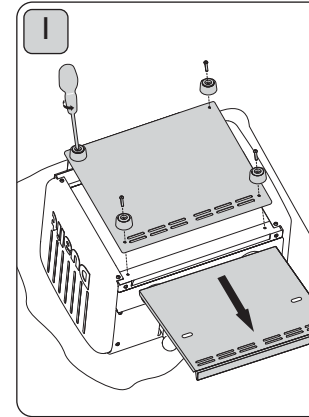
ALL SERVICING MUST BE CARRIED OUT BY A QUALIFIED ELECTRICIAN OR REPAIRER.

For your own protection only use original Dualit spares in your toaster.

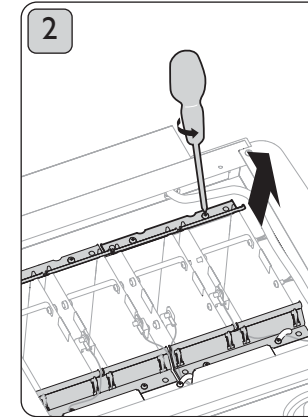
- When replacing ProHeat elements, only use genuine Dualit elements (stamped "DUALIT").
- The safety and the performance of the toaster cannot be guaranteed if inferior elements are used.
- Fitting of non Dualit parts will also invalidate the guarantee.

REPLACING ELEMENTS

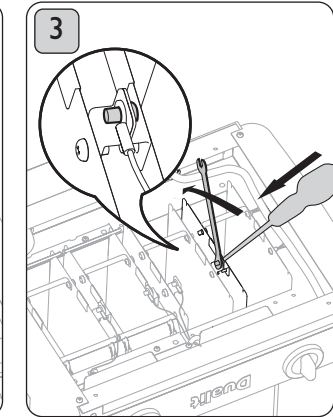
ALL SERVICING MUST BE CARRIED OUT BY A QUALIFIED ELECTRICIAN OR REPAIRER & PAT TESTED.



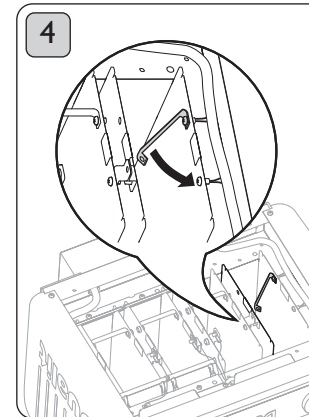
Unplug and place toaster on a soft cloth. Remove crumb tray and unscrew feet to remove the base plate.



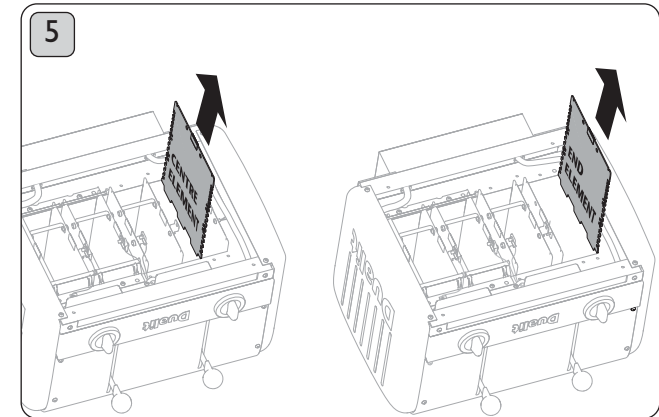
Unscrew retaining plates either side of the element. Lift up to remove the plate.



Unscrew brass links and wires using a 6mm spanner and screw driver.



Bend brass links and wires away from the element.



Remove element. To re-assemble, reverse procedure ensuring wires and parts are correctly positioned. Ensure new element is marked the same as the one removed and is seated correctly in the channels either side. PAT test before use.

GUARANTEE

This appliance is of excellent quality and construction. However, if any defects in materials or workmanship do appear during the relevant guarantee period, we will, at our discretion, either repair or replace the defective parts, free of charge, subject to the terms and conditions of our Guarantee shown below.

This Guarantee covers both parts and labour. Carriage is not included.

Your guarantee period is as follows:

- 1 years on parts
- 2 years on ProHeat elements

This Guarantee provides benefits which are additional to, and do not affect, your statutory rights. This guarantee does not cover the cost of returning the product to the dealer from whom it was purchased or to ourselves. This guarantee applies only to products sold and located in mainland Great Britain. It does not cover liability in respect of or replacement of plugs, cables or fuses and also does not cover defects due to:

- Failure to use or maintain product in accordance with Dualit's instructions.
- The product being connected to an unsuitable electricity supply.
- Accidental damage to or abuse or misuse of the product.
- The product has not been modified except by Dualit or approved agent.
- Dismantling of or interference with the product.
- Theft or attempted theft of the product.

Before returning any product under this guarantee, please check that:

- You have followed the product instructions correctly.

- Your mains electricity supply is functional.
- The defect is not due to a blown fuse.

If you wish to claim under this guarantee you should:

- Send the product, postage or carriage paid, to the dealer from whom it was purchased or to Dualit direct.
- Ensure that the product is clean and packed carefully (preferably in its original carton).
- Enclose details of your name, address and telephone number and when and where the product was purchased, together with proof of purchase (e.g. a till receipt).
- Give exact details of the nature of the defect.

This Guarantee does not cover any other claims whatsoever; including, without limitation, any liability for incidental, indirect or consequential damage, nor does it cover any claims for conversion or modification or for the costs of repair carried out by any third party without the prior consent of Dualit. If replacement parts are fitted to the product this will not extend the period of the guarantee.

For further advise contact the Dualit customer helpline on +44 (0)1293 652 500 (09:00 to 17:00 Monday to Friday).

Alternatively, email Dualit at info@dualit.com or visit www.dualit.com

Dualit®



Dualit Limited County Oak Way Crawley West Sussex RH11 7ST
Telephone: +44 (0) 1293 652 500 Facsimile: +44 (0) 1293 652 555
Email: info@dualit.com Web: www.dualit.com

GB10211

