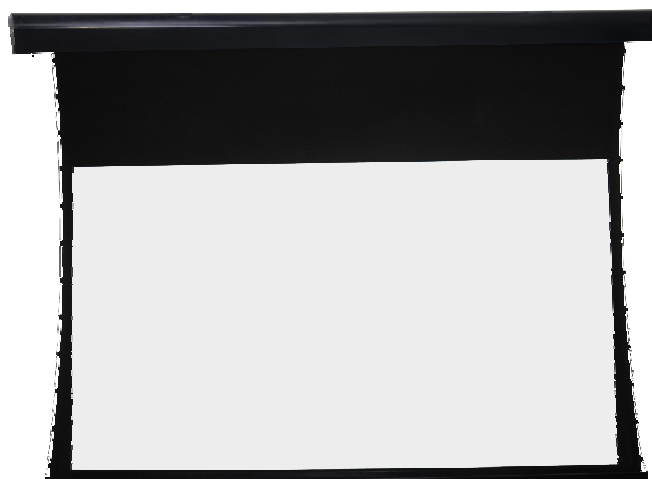


**SHANGRAY®**



## **Tab C Tension screen**

Installation Manual

## **To the owner**

Thank you for choosing a Shangray Tab tension screen for your home.  
This deluxe model delivers superior performance for video.

Please take a moment to review this manual; it will help ensure you easy  
and quick installation. Some important notes will help you understand  
how to maintain the screen so that prolong the service life of the product.

## General Notes

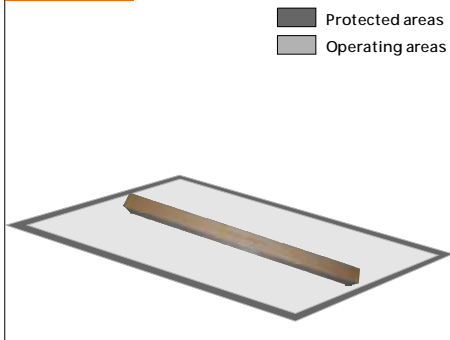
1. Please read the user manual carefully, this will help you finish installation quickly.
2. Please make sure that no other objects such as power switches, outlets, furniture, ladders, windows, etc. occupy the space designated to hang the screen.
3. Regardless if the screen is installed inside or on the wall, make sure that the proper mounting anchors are used and that the weight is supported appropriately by a strong and structurally sound surface just as any large and heavy picture frame should. (Please consult a home improvement specialist for the best advice on installation.)
4. When not in use, roll up the screen to protect from dirt, grime, paint or any other impurities.
5. When cleaning, use a damp soft cloth with warm water to remove any marks on the casing or screen surface.
6. Never attempt to use any solutions, chemicals or abrasive cleaners on the screen surface.
7. To avoid damaging the screen, do not touch the material directly with your fingers, tools or any other abrasive or sharp objects.
8. Spare parts should be placed out of reach for small children in accordance with household safety.

### Packing List

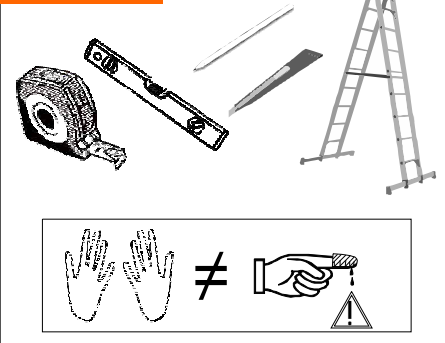
Item	Specification	Qty
Screens		1PCS
Screws	M4X12	2PCS
Screws	M6X12	2PCS
Screws	M5X40	4PCS
Rubber Plug		4PCS
Rings		2PCS
Wall Bracket		2PCS
Hanging Sliding		2PCS
Hook		2PCS
Instruction		1PCS

## Prepare works before installation

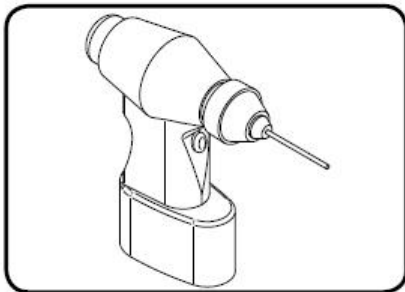
### Work area



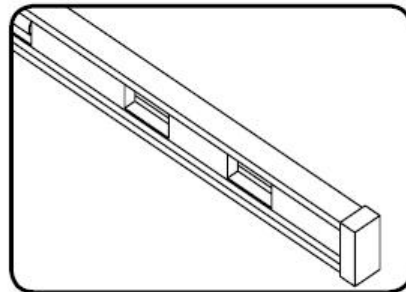
### Tools needed



## Required tools and parts



Electric drill with drill and driver bits



Spirit level and pencil for marking

Stretching out the projector screen

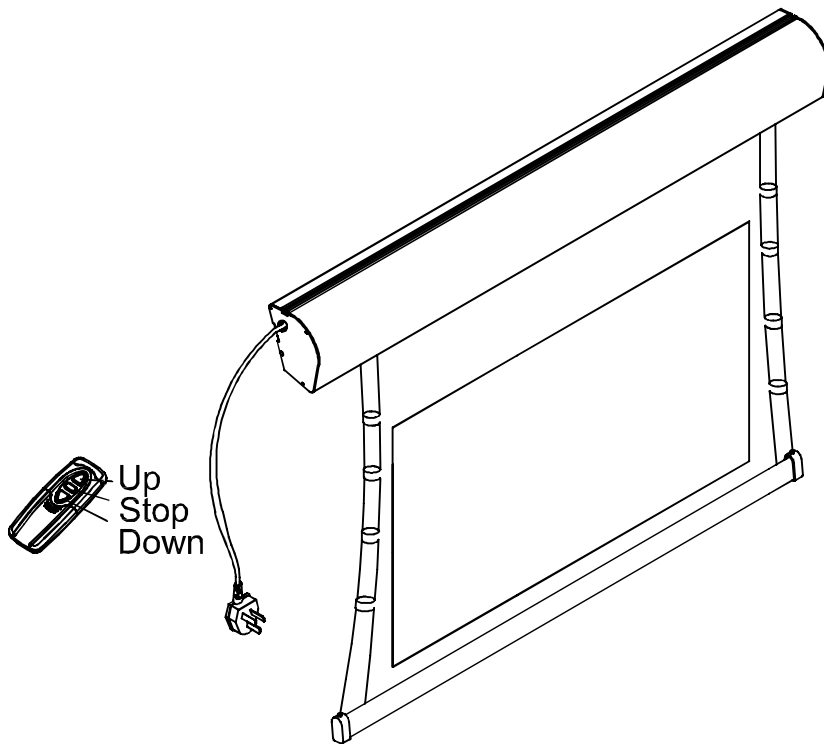
Press DOWN key of the switch and the sreen will automatically stretch and then stop when it was fully stretched out.

Rolling back the projector screen

Press UP key of the switch and the sreen will automatically roll up into the metal drum and stop when the screen was fully rolled up.

Stopping the projector screen

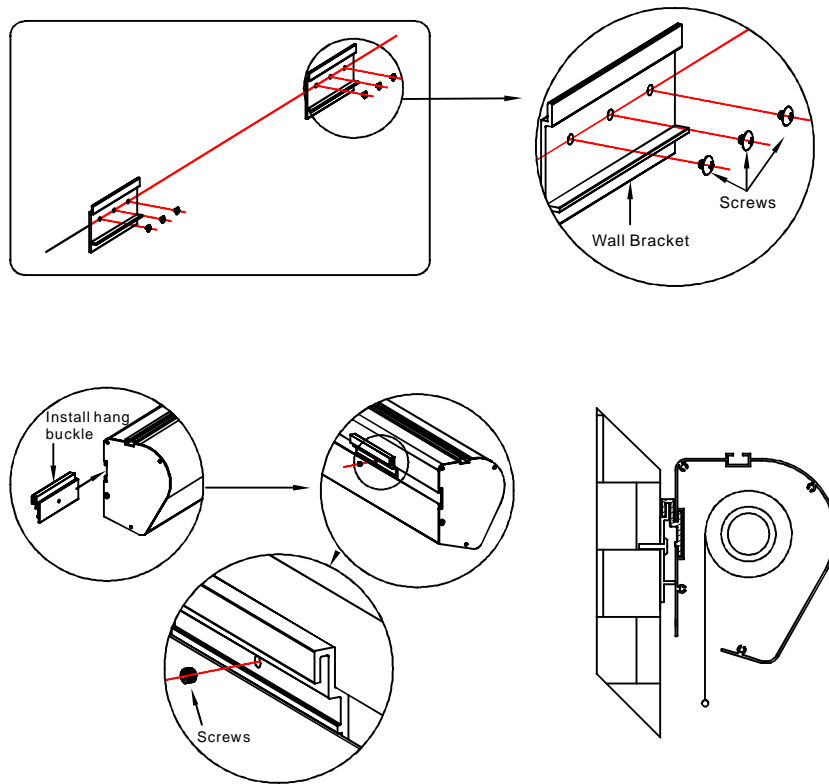
Press the middle part of the switch to stop the screen, and it can be stopped at any position.



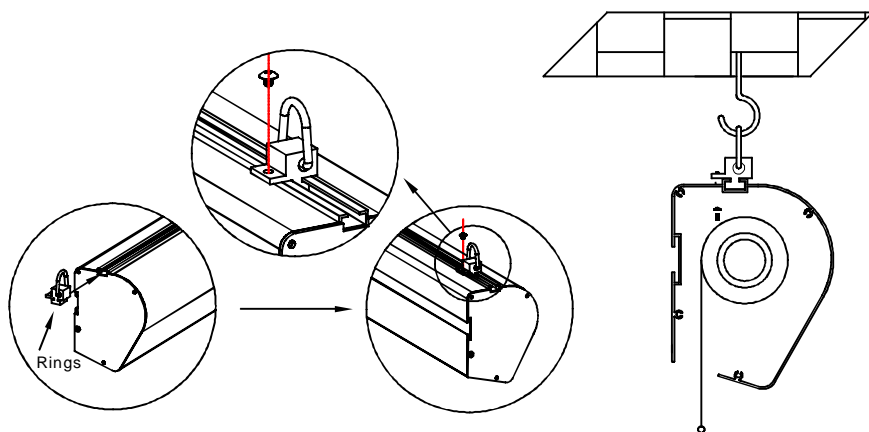
## Mounting the screen

The screen can be installed in a 2 different ways with common household tools.

### Wall mounting



## Ceiling mounting



### Note:

- 1、 The switch should be positioned on STOP when the screen is not in use.
- 2、 Before rolling back the screen, please make sure that there is no insect, dust or other object on the screen.
- 3、 The screen can be roll up and down continually, but continuous times of rolling up and down should not exceed 5 minutes to prevent overheat of the motor. In case of continuous use necessary, you should wait until the motor cools down.



## **Screen Care**

The surface of your screen is delicate. Special attention to these instructions should be followed when cleaning.

1. A draftsman-style brush may be used to lightly whisk away any loose dirt or dust particles.
2. For tougher spots, use a solution of mild detergent and water. Rub lightly using a sponge. Blot with a damp sponge to absorb excess water. Residual water marks will evaporate within a few minutes.
3. Do not use any other cleaning materials on the screen. Contact the factory if you have questions about removing difficult spots.
4. Use a lint brush to remove any dust on the casing.

## **Warranty**

Shangray's warranty covers defects in workmanship and fabrics, provided screen has been installed in a normal environment and maintained according to the written instructions.

Surface fabric(s) and casing are guaranteed for 3 years from date of installation.

Motors, motor controllers, and assembly hardware are guaranteed for one (1) years – including parts and labor – not to exceed 15 months from date of invoice.

**SHANGRAY**

Phone: 86 755 8995 8369

Fax: 86 755 2968 3482

[www.shangray.com](http://www.shangray.com)