

### Main Features

- 1 Using high brightness of original packed Epistar 2835 SMD chip which achieves **120lm/w**
- 2 As the world's first new products ,LED corn bulb could replace the conventional compact CFL light directly .
- 3 Unique construction design easier for power supply and light source replacement if needed,with full beam angle (360°)
- 4 Fin aluminum heat dissipation system(PATENT design).The fan of active air exchanging cooling system in order to speed up heat dissipation
- 5 No spot, no black area,long life span and less brightness decay
- 6 Various lamp bases are available,a wide range of applications (E39/E40 mogul, E26/E27 medium)
- 7 Wide voltage AC100-300V,High efficiency constant current drives, Efficiency of power supply is more than 90%.
- 8 Those LED Corn Bulbs are also available with PC cover which has transparent and milky cover
- 9 Those LED Corn Bulbs are also available for dimmable 0-10V
- 10 No magnetic disturbance influence and CE & RoHS standard compliant
- 11 No UV and near-IR radiation in the light beam.
- 12 3 years warranty



Without Cover    Transparent Cover    Milky Cover

80% ENERGY SAVING*	3 Years Warranty	Recycling Symbol	WW (2800-3000K)	NW (4000-4500K)	CW (6000-6500K)	
CRI > 80	120Lm/W	50,000 Hours				
		CE	RoHS	FC	TUV	SAA

### Application projects



40W LED Corn Bulb



150W Traditional HPS

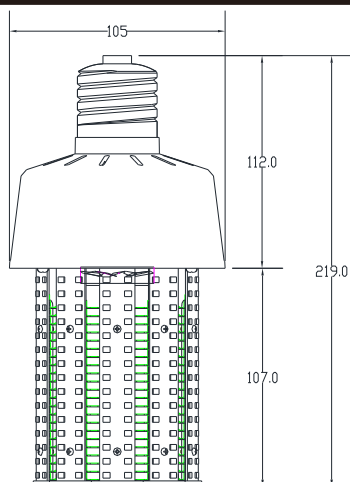


American walkway project

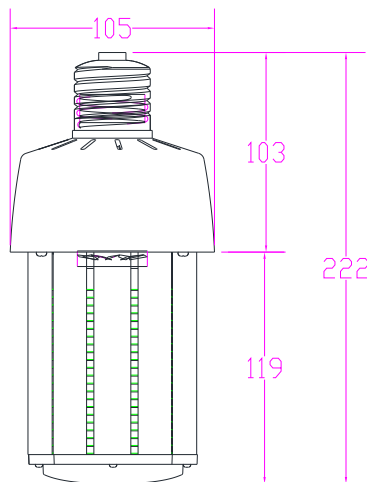


40W LED Corn Bulb

### Dimension



without pc cover



with pc cover

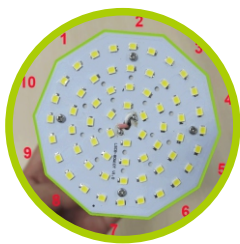


# Product Specification

Main Specification T=25 Celsius Degree		
Parameters	Item Number	VLLS-CB-50WXY
Light	LED Type	440pcs 2835 SMD LEDS
	Luminous Flux(lm)	6200Lm
	Color Temperature (K)	2700-3200K/4000-4500K/6000-6700K
	CRI	70 and 80 options
	Lifespan (Hrs)	> 50,000Hours
Electricity	Input Voltage (V)	100-300VAC (277VAC available)
	Frenquency (Hz)	50/60 Hz
	Output Wattage (W)	50 Watt
	Power Factor	> 0.95
	Time of starting (S)	0
	Power Efficiency	>0.92
	Replacement	<b>175W-225W Metal Halide / HPS / Son-T/ HQI</b>
Structure	Materials	Aluminum fin heat sink+MPCB+PBT base(fire proof)
	Dimension	(No cover) E40:Dia105*219mm E27:Dia105*210mm (Cover) E40:Dia105*231mm E27:Dia105*222mm
	PC cover options	1,without pc cover 2,with milky cover / with transparent cover
	Base Options	E40/E39(Mogul) E27/E26(Medium)
	IP Rating	IP60
Certificate	Working Temp/humidity	-25 - 55 Celsius degree 10% - 90% R.H.
	Storage Humidity	-40 - 85 Celsius Degree 0% - 95% R.H.
	Certificate	<b>ETL CETL TUV FCC SAA CE</b>
	Environmental cert	RoHS
	Various choices	Available in dimmable,available with external meanwell driver



## Advantages



Round 10 sides shine out



Wireproof base



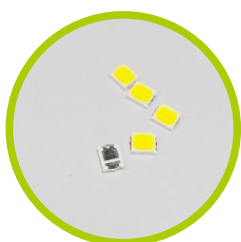
Milky cover



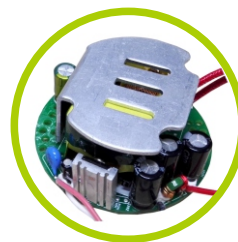
Transparent cover



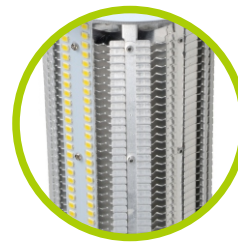
Top Brand Sunon Fan



High Brightness Epistar 2835



Internal Driver



Aluminum fin heat sink  
Thermal Pad built-in

## Test Result

DATA OF LAMP		PHOTOMETRIC DATA			
		Eff: 113.33 lm/W			
MODEL		I <sub>max</sub> (cd)	578.4	S/MH (C0/180)	2.79
NOMINAL POWER (W)	55	LOR (%)	100	.S/MH (C90/270)	2.79
RATED VOLTAGE (V)	232	TOTAL FLUX (lm)	6233.3	η UP, DN (C0-180)	23.0, 27.1
NOMINAL FLUX (lm)	6233.3	CIE CLASS	DIFFUSE	η UP, DN (C180-360)	22.4, 27.5
LAMPS INSIDE	1	η up (%)	45.4	CIBSE SHR NOM	2.00
TEST VOLTAGE (V)	231.0	η down (%)	54.6	CIBSE SHR MAX	

## What should be awared of ?

1. Read the user's manual in details, make sure the environment conditions fit the requests
2. Cut the power off before installation
3. Do not run this led corn bulb **over** 300VAC unless it's labeled.
4. Do not install this LED corn bulb in ambient where has high temperature over like 55 celsius degree or over corrosive gas
5. Indoor, Outdoor use in outdoor luminaires (minimum Ip65)
6. Don't throw away casually

## Where to use LED Corn Bulb ?

1. Outdoor street lighting, wall pack lighting, canopy lighting, post top lighting, high bay light, warehouse lighting, pathway lighting, factory lighting, supermarket lighting, parking lot and stadium lighting etc.



Parking Lot



Pathway fixture



Wall Pack Fixture



Street fixture



Cobra Fixture



Street fixture



Post top fixture



High Bay fixture



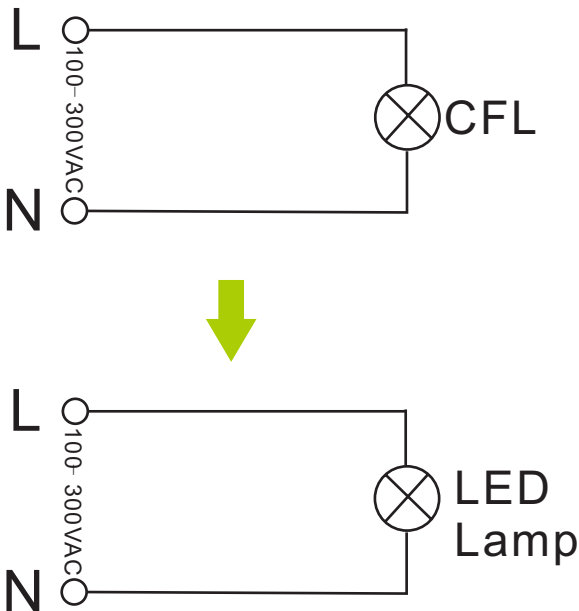
Droplight fixture



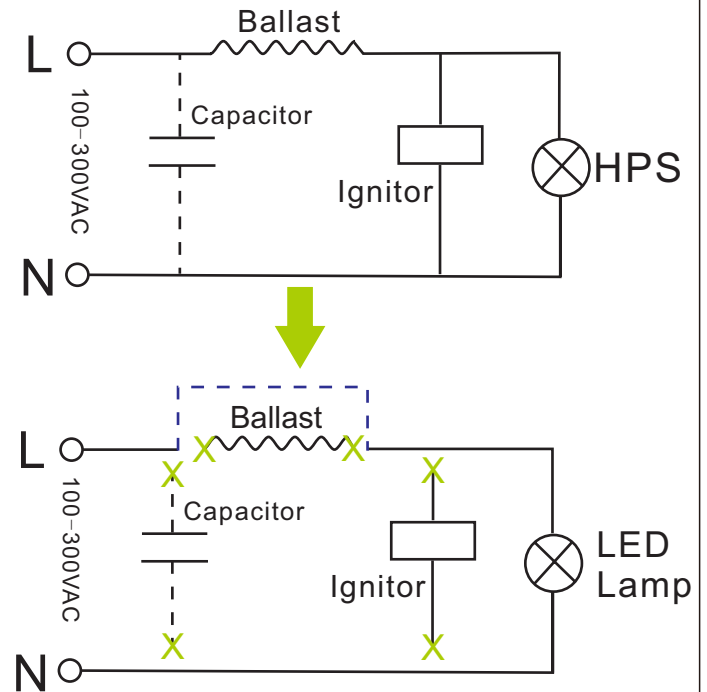
Wall Light fixture

## Wiring Diagram

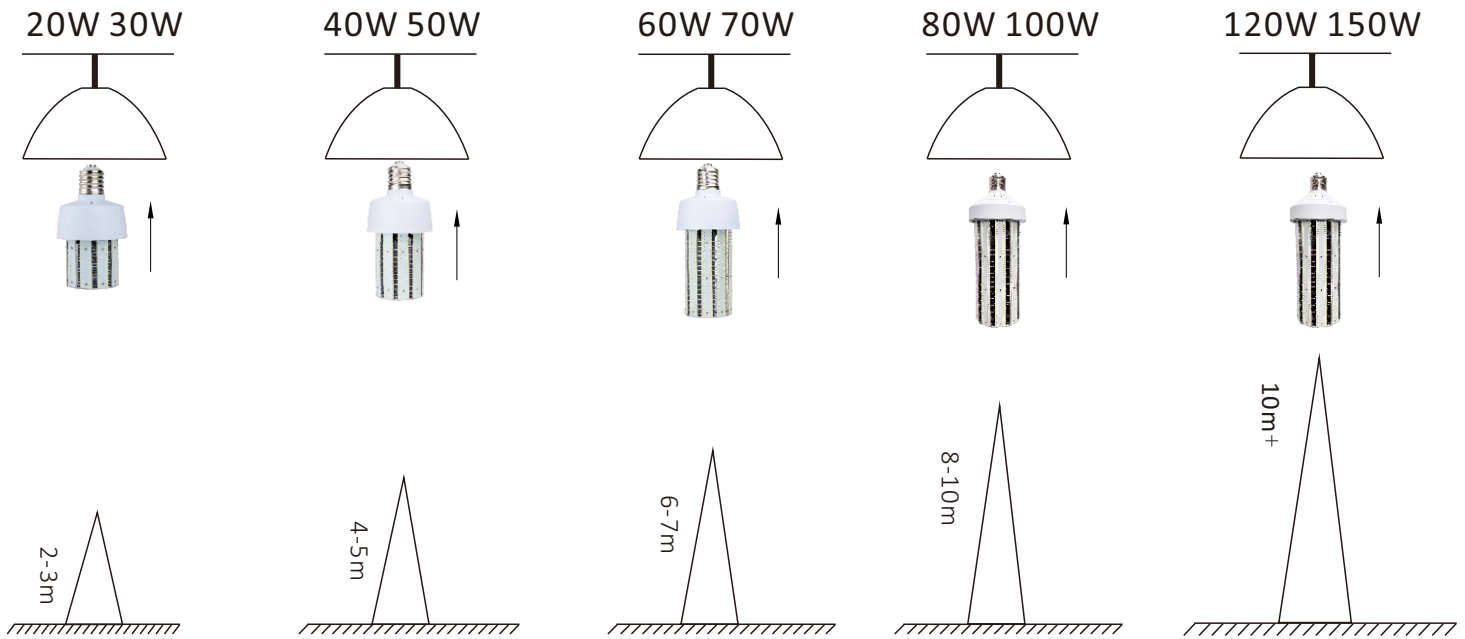
### CFL replacement



### HPS, MH, HID replacement



## Installation suggestion



- LED Corn Bulbs are retrofit led bulbs which are with the latest cooling heat sink technology Thermal was blew out from sides borad gap rapidly.And they are just perfect to replace the existing matel halide,high pressure sodium,HQI,Son-T,halogen etc
- Since there are various wattage options for high bay lighting application,different wattage has its perfect lighting effect at different height
- |                   |                 |                    |
|-------------------|-----------------|--------------------|
| 20W = 50-75W MH   | 30W=75-105W MH  | 40W=125-150W MH    |
| 50W = 175-225W MH | 60W=225-250W MH | 70W = 250W-275W MH |
| 80W = 250-300W MH | 100W = 300W MH  | 120W = 400W MH     |
|                   |                 | 150W= 500W MH      |

## Packing Details

Packed QTY	12 Pieces
Net Weight	0.45Kg/pc
Gross Weight	8.75Kg/ctn
Box Size	13cm*13cm*27cm
Carton Size	55cm*44cm*34cm

