



VGA /Audio TO HDMI CONVERTER 1080p Scaler



Model #: C-VGA-HDM



© 2012 Avenview Inc. All rights reserved.

The contents of this document are provided in connection with Avenview Inc. ("Avenview") products. Avenview makes no representations or warranties with respect to the accuracy or completeness of the contents of this publication and reserves the right to make changes to specifications and product descriptions at any time without notice. No license, whether express, implied, or otherwise, to any intellectual property rights is granted by this publication. Except as set forth in Avenview Standard Terms and Conditions of Sale, Avenview assumes no liability whatsoever, and disclaims any express or implied warranty, relating to its products

Table of Contents

Section 1: Getting Started	3
1.1 Important Safeguards	3
1.2 Safety Instructions	3
1.3 Regulatory Notices Federal Communications Commission (FCC)	4
1.4 Introduction	4
1.5 Package Contents.....	5
1.6 Before Installation.....	5
1.7 Panel Description	6
1.8 Installation	7
1.9 General Troubleshooting	8
Section 2: Specifications.....	9

Section 1: Getting Started

1.1 Important Safeguards

Please read all of these instructions carefully before you use the device. Save this manual for future reference.

What the warranty does not cover

- Any product, on which the serial number has been defaced, modified or removed.
- Damage, deterioration or malfunction resulting from:
- Accident, misuse, neglect, fire, water, lightning, or other acts of nature, unauthorized product modification, or failure to follow instructions supplied with the product.
- Repair or attempted repair by anyone not authorized by us.
- Any damage of the product due to shipment.
- Removal or installation of the product.
- Causes external to the product, such as electric power fluctuation or failure.
- Use of supplies or parts not meeting our specifications.
- Normal wear and tear.
- Any other causes which does not relate to a product defect.
- Removal, installation, and set-up service charges.

1.2 Safety Instructions

The C-VGA-HDM converts VGA with Audio to HDMI has been tested for conformance to safety regulations and requirements, and has been certified for international use. However, like all electronic equipment's, the C-VGA-HDM should be used with care. Read the following safety instructions to protect yourself from possible injury and to minimize the risk of damage to the unit.

- Do not dismantle the housing or modify the module.
- Dismantling the housing or modifying the module may result in electrical shock or burn.
- Refer all servicing to qualified service personnel.
- Do not attempt to service this product yourself as opening or removing housing may expose you to dangerous voltage or other hazards
- Keep the module away from liquids.
- Spillage into the housing may result in fire, electrical shock, or equipment damage. If an object or liquid falls or spills on to the housing, unplug the module immediately.
- Have the module checked by a qualified service engineer before using it again.
- Do not use liquid or aerosol cleaners to clean this unit. Always unplug the power to the device before cleaning.

1.3 Regulatory Notices Federal Communications Commission (FCC)

This equipment has been tested and found to comply with Part 15 of the FCC rules. These limits are designed to provide reasonable protection against harmful interference in a residential installation.

Any changes or modifications made to this equipment may void the user's authority to operate this equipment.

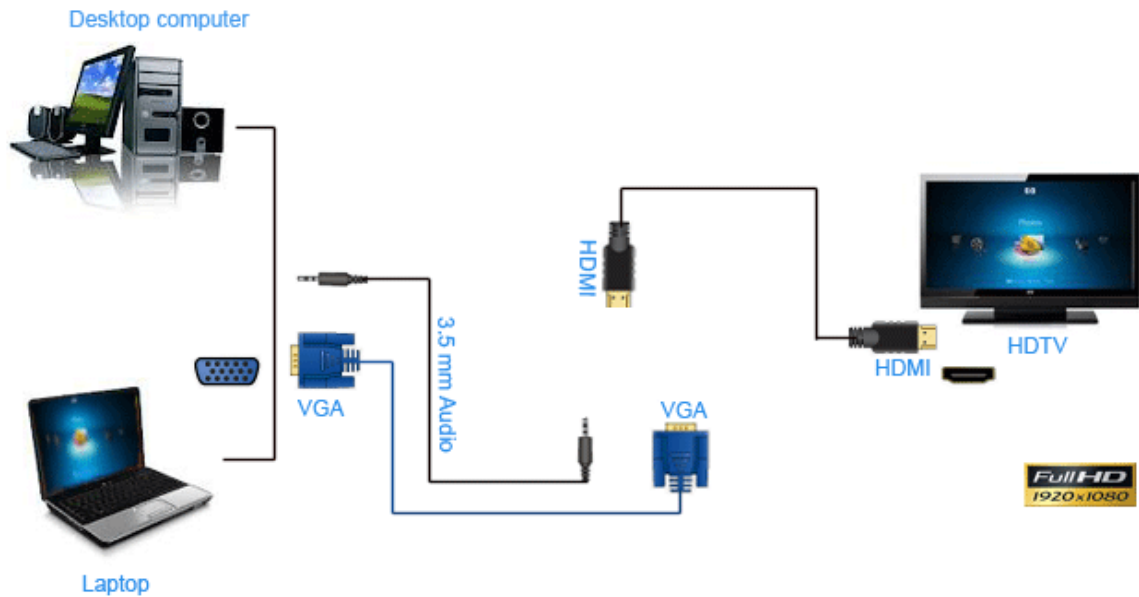
1.4 Introduction

Avenview C-VGA-HDM Converter is designed to take video and audio signal from PC or Laptop and **UPSCALE** it to digital HDMI output of wide-range HDTV and PC resolutions, up to 1080p.

Built-in circuitry allows digital media enthusiasts to easily distribute and enjoy PC-based multi-media content on high-definition monitor while maintaining simultaneous A/V reception at the source PC.

Plug and play, no software is needed. Great for connecting the VGA video output of your computer or media server and integrating it into a new digital HDMI Home Theater System

- Auto detect signal source, supports OSD (On-Screen Display), OSD information display on TV
- Up-scales VGA to HDMI 720P or 1080P;
- Supports VGA Input: 640x480@60Hz, 800x600@60Hz,1152x864@60Hz, 1024x768@60Hz, 1280x720@60Hz, 1280x800@60Hz, 1280x960@60Hz, 1360x768@60Hz, 1280x1024@60Hz,1440x900@60Hz, 1400x1050@60Hz, 1680x1050@60Hz, 1920x1080@60Hz. (Recommended input resolution: 1024x768@60Hz)
- Supports HDMI Output: 720P/60Hz, 1080P/60Hz;
- Auto-store setting of output resolution
- Product Dimension: 119 x 74 x 23 mm (L x W x H)
- Easily converts VGA and stereo audio into an HDMI signal
- Ideal for connecting PCs to high-definition TVs, projectors, flat panel displays and more
- Delivers a clear, sharp transmission – supports up to 1920 x 1080 and 1080p resolution and video amplifier bandwidth up to 1.65 Gbps / 165 MHz
- Plug and Play; Windows and Mac compatible – simple to install
- HDCP compliant



1.5 Package Contents

Before you start the installation of the converter, please check the package contents.

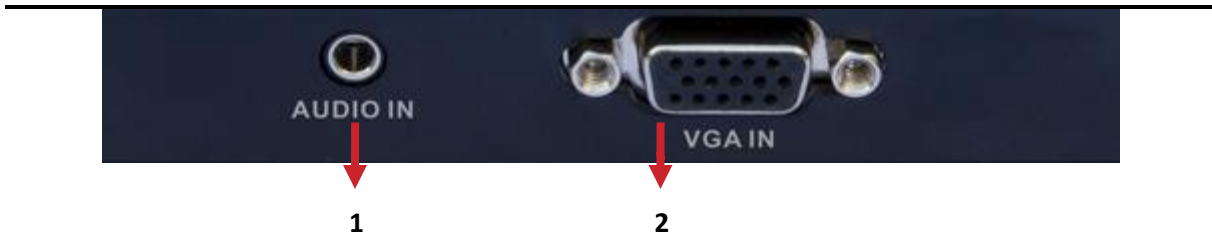
- C-VGA-HDM x 1
- Power Adapter (+5VDC, 2A) x1
- User's Manual x1

1.6 Before Installation

- Put the product in an even and stable location. If the product falls down or drops, it may cause an injury or malfunction.
- Don't place the product in too high temperature (over 50°C), too low temperature (under 0°C) or high humidity.
- Use the DC power adapter with correct specifications. If inappropriate power supply is used then it may cause a fire.
- Do not twist or pull by force ends of the VGA or HDMI cable. It can cause malfunction.

1.7 Panel Description

FRONT PANEL



1: Audio In: 2 Channel Analog Audio Input thru the 3.5mm Earphone Jack

2: VGA In: Connect to a VGA source with VGA M-M Cable

REAR PANEL



1: 720/1080P –Select Output resolution

2: Resolution LED: Status Indicator

3: HDMI Out: Connect to a HDMI display with HDMI M-M Cable

4: Power: Power indicator; Red Light = Power ON

5: +5V DC: Power Connector



1.8 Installation

To setup Avenview C-VGA-HDM follow these steps for connecting to a device:

1. Power off display source such as Laptop/PC
2. Connect your VGA source to VGA input
3. Connect Stereo Audio source to 3.5mm Jack respectively
4. Connect Male to Male HDMI to HDMI Output of C-VGA-HDM
5. Connect other end of HDMI cable to TV or projector with HDMI input
6. Plug in 5V DC power cord to power jack of C-VGA-HDM
7. Power on C-VGA-HDM
8. Power on VGA source and display with HDMI input.

Only HDMI enabled TV sets with underscan / overscan supported can display full active video accurately. If underscan / overscan is NOT supported, the top, bottom, left and right border of the active video may be screened.

PLUG and PLAY; Also COMPATIBLE



1.9 General Troubleshooting

Problem	Possible Solution
No Image	<ul style="list-style-type: none">• Check if connection to the source and the display are correct.• Ensure that display device supports 480p or 720p resolution
Screen Defects Appear	<ul style="list-style-type: none">• This product supports up to 1080p (1920x1200) resolution.• Check the VGA and HDMI connection• If outputting from a PC. Check the maximum resolution range of the graphics card.

Section 2: Specifications

Item	Description
Units	C-VGA-HDM
Unit Description	VGA with Audio to HDMI Converter
HDMI Compliance	HDMI 1.3
VGA Compliance	VGA 1.1
Video Bandwith	1.65 Gbps / 165 MHz
Supported Resolutions	Supports VGA Input: 640x480@60Hz, 800x600@60Hz,1152x864@60Hz, 1024x768@60Hz, 1280x720@60Hz, 1280x800@60Hz, 1280x960@60Hz, 1360x768@60Hz, 1280x1024@60Hz,1440x900@60Hz, 1400x1050@60Hz, 1680x1050@60Hz, 1920x1080@60Hz. (Recommended input resolution: 1024x768@60Hz)
Audio Support	Stereo Audio
Input	1 x VGA 1 x 3.5mm
Output	1 x HDMI
HDMI Connector	Type A (19 pin female)
VGA Connector	VGA-I (29 pin female digital only)
LED INDICATOR	1 x (POWER Connection) 1 x (Resolution)
Dimensions (L x W x H)	4.7" x 2.9" x 1"
Power Supply	5V 1A DC
Power Consumption	3 Watts (max)
Environmental	
Operating Temperature	32° ~ 104°F (0° to 40°C)
Storage Temperature	-4° ~ 140°F (-20° ~ 60°C)
Relative Humidity	20~90% RH (no condensation)



Disclaimer

While every precaution has been taken in the preparation of this document, Avenview Inc. assumes no liability with respect to the operation or use of Avenview hardware, software or other products and documentation described herein, for any act or omission of Avenview concerning such products or this documentation, for any interruption of service, loss or interruption of business, loss of anticipatory profits, or for punitive, incidental or consequential damages in connection with the furnishing, performance, or use of the Avenview hardware, software, or other products and documentation provided herein.

Avenview Inc. reserves the right to make changes without further notice to a product or system described herein to improve reliability, function or design. With respect to Avenview products which this document relates, Avenview disclaims all express or implied warranties regarding such products, including but not limited to, the implied warranties of merchantability, fitness for a particular purpose, and non-infringement.