

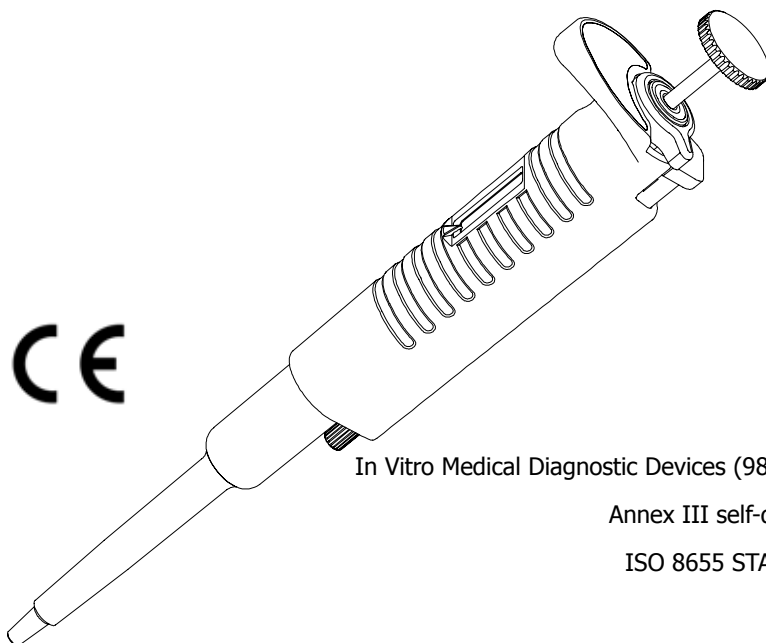
Autoclavable & UV resistant

Nichipet EX Plus II

Digital micro pipette for liquid handling

User's Manual

CE



In Vitro Medical Diagnostic Devices (98/79/EC)

Annex III self-declared

ISO 8655 STANDARD

CERTIFIED ISO9001

- Thank you very much for purchasing Nichipet EX Plus II.
- Please read this manual carefully before using.

Always Pursuing Originality

Since 1944

BE ORIGINAL
 **NICHIRYO**

Autoclavable & UV resistant

Nichipet EX Plus II

Digital micro pipette for liquid handling

Features

- Nichipet EX Plus II is fully autoclavable at the condition of 121°C for 20 minutes.
- Nichipet EX Plus II is made of UV resistant material which can be used in clean bench. (If UV is applied to Nichipet EX Plus II for a considerably long time, it may become discolored but nothing affects its performance.)
- New round shape improves friendly handling capability, and mitigates operator's fatigue from long time use.
- Sample volume can easily be set by simply rotating the push button.
- Setting of sample volume can easily be locked with one touch (one-touch lock mechanism).
- A wide range of sampling volume can be covered by eight models from 0.1ul to 10,000ul.
- Patented body construction avoids permeating hand temperature through the body that prevents inaccuracy of volume measurement.
- Since PTFE (Fluoroplastic) is used in an airtight chamber, this combination keeps airtight and precise reproducibility for long hours.
- A thin nozzle cone can be easily inserted and reached to a bottom of many tubes for dispensing/aspiration. (110mm in depth, 2ul – 1000ul)
- Tip can be removed without touching by using the tip ejector.
- The Easy-Calibration function provides smooth and easy adjustment with an attached adjustment tool.

Standard accessories

- Three tips (one tip for NPLO2-5000/10000)
- Three nozzle filters (NPLO2-1000/5000/10000)
- A nozzle filter remover (NPLO2-1000/5000/10000)
- An adjustment tool
- User's Manual

When unpacking package, check to make sure that the above-mentioned items are included.

Precautions on safety

- For using your Nichipet EX Plus II properly and safely, carefully read "Precautions on safety" in this paragraph and "CAUTION" on the next page before starting work with it.
- Contents of "CAUTION" are matters that require user's attention, not only for using Nichipet EX Plus II properly but for preventing user from accidents and physical damage.
- After reading this manual, please keep it in a convenient place for referring to at any time.

Please read following prior to use for your safety and correct usage.



CAUTION

Be sure to observe the following instructions for using Nichipet EX Plus II properly and safely.

If user misuses "Nichipet EX Plus II", or disregards the following instructions, it may result in injury to the user or/and other persons or physical damage to pipette or/and other equipment.

1. Do not use pipette for any purpose except pipetting/dispensing liquid.
2. Do not modify pipette, because modification may cause an accident.
3. Do not use pipette for pipetting any liquid to be injected into human body.
4. Do not expel dispensed liquid towards anybody.
5. Do not eject tip towards anybody.
6. Do not eject tip with liquid inside.
7. Carefully handle pipette and tip because tip is sharply pointed.
8. If pipette is contaminated with liquid harmful to human, immediately take appropriate disposal to clean it safely before continuing to work.
9. Do not use pipette for stirring liquid and so on, otherwise not only tip may be loose and fall off but the pipette may be soiled with scattered liquid.
10. Do not touch filters which may be contaminated by harmful substances.
11. Take extreme care for sharpness of Nozzle filter remover when filters for 5000 ul or 10000ul types are taken off.
12. Do not touch pipette directly right after drying, because it will have got very hot during drying. Touching hot pipette directly may cause injury.
13. Components of water used for autoclave may cause pipette malfunction or performance.
14. If pipette can not be fixed after examining and conducting in accordance with designated procedure, immediately stop using the pipette and ask us or our agent to repair it.
15. Although this pipette has good chemical-resistance in general, it may be damaged by some kinds of chemicals. Please contact to our company when using strong chemicals.
16. Pipette can be used between +4°C and +40°C, but the specifications may vary.
17. Depending on frequency of use, pipette should be cleaned in a soap solution and airtight chamber should be maintained according to this manual.

Note

Users are required to strictly observe the followings in order for the pipette to keep its excellent precision, reproducibility and original performance for a long time.

1. Do not expose pipette directly to the sun when working with it or for 2 hours before starting work, otherwise the pipette may lose accuracy. Avoid working with pipettes in a humid and hot place.
2. Just before starting work with pipette, avoid touching tip and nozzle cylinder as far as conditions are allowed. If nozzle cylinder is warmed by your hand, accuracy may vary.
3. For pipetting, follow the forward method (the way explained in this manual). If it is performed in a different way, it may result in inaccurate pipetting.
4. Operate push button very gently. If it is quickly released, it may result not only inaccurate pipetting but also deteriorated the pipette because sample liquid may be permeated into the main body. To prevent the pipette from malfunction, inaccuracy and contamination, a filter is attached to models NPLO2-1000, -5000, and -10000. (A filter is supplied at time of purchase.)
5. Do not reuse tip that has been used once, and carefully dispose used tip. If tip is used repeatedly, it may cause inaccurate and impure pipetting and cross contamination (*) among samples.
 - * For example, if previous sample liquid is left inside tip, it is mixed with new sample liquid and the new sample is contaminated by the previous one. Therefore, pipetting of the next sample results wrong. This phenomenon is called mutual contamination of samples.
6. Do not hold pipette horizontally or upside down when there is liquid inside tip, otherwise the liquid gets into the main body and the pipette may be contaminated.
7. When autoclaving, do not pile pipettes on others in the autoclave or lean pipettes with a nozzle top facing down so that self-load is applied on the nozzle. This pipette is made of an autoclave compatible material, but because of high temperature in the sterilizer, there is a risk that parts subject to load will be deformed.
8. After autoclaving and drying pipette, leave it until it gets completely cool before using again. If the pipette is used when warm, the accuracy may not come up to the standard level.
9. After autoclaving and drying pipette, assemble the pipette after it is completely cooled, if it is assembled when it is still hot, it may cause deterioration in the pipette such as breakage of the screw threads.
10. When rotating push button, do not exceed the specified sample volume limit, otherwise pipette may be damaged or deteriorated.
11. Do not perform pipetting with less liquid than set volume. If the quantity of liquid is less than the set volume, it may cause the liquid to scatter into the main body and the pipette may deteriorate in quality.

Contents

Operating procedure	5
Disassembling/Reassembling the airtight chamber	9
Autoclaving/Drying the pipette	18
Specification	19
Volume setting procedure	20
Troubleshooting	22
Parts list	23

Operating procedure

1. Volume setting

- 1) Turn the lock lever to unlocking direction to loosen it (Fig. A)
- 2) Turn the push button to set the digital counter to a desired liquid volume. To increase volume setting, turn the push button until passing designated volume setting by half of the scale, and then set the designated volume. To decrease volume setting, simply turn to designated volume. When setting the liquid volume, set the counter's graduation at point mark (red) appearing in the lower part of counter window. (Fig. B)
- 3) After setting the liquid volume, turn the lock handle to locking direction to lock it. (Fig. A)

Note: Don't exceed the specified liquid volume limit, otherwise pipette may be damaged or deteriorated in the quality.

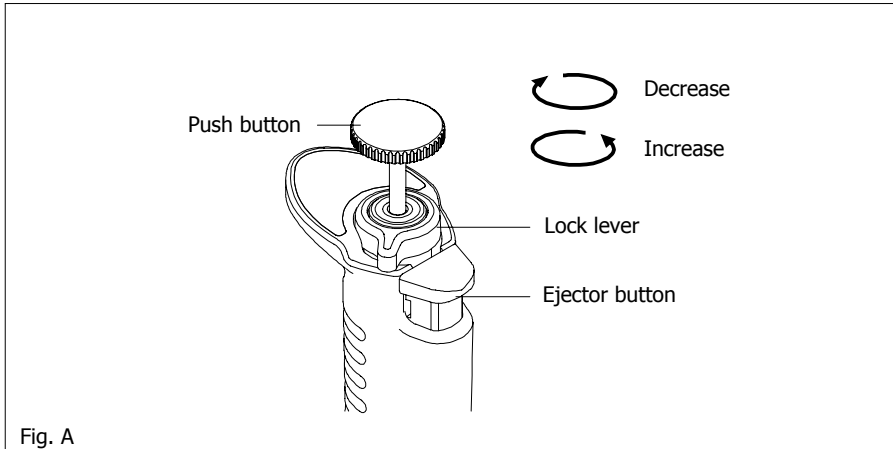


Fig. A

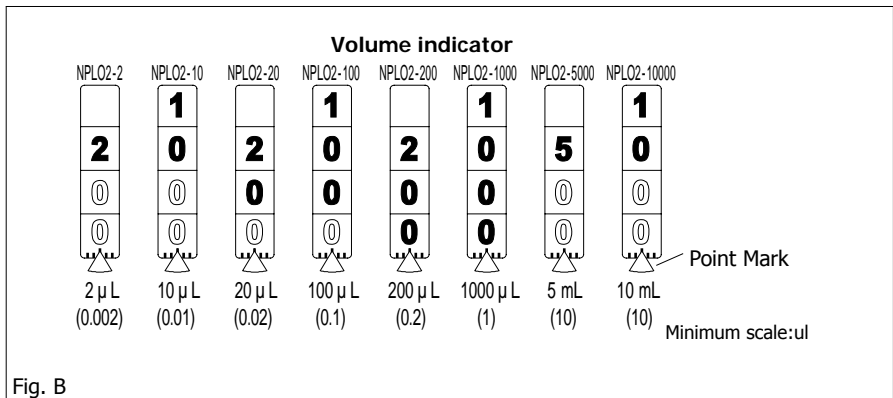


Fig. B

2. Aspiration liquid

1) Attach a new tip to the nozzle end. (We recommend that you attach it from rack)

Note: It would be recommended that tips are directly picked up from rack. And do not twist pipette when fixing tip.

2) Press down push button to first stop position "b". (Fig. C)

* Don't aspirate the liquid with the push button pressed at the second stop "c".

3) Hold the pipette vertically and immerse the tip 2mm to 3mm below the surface of the liquid. (Fig. D-)

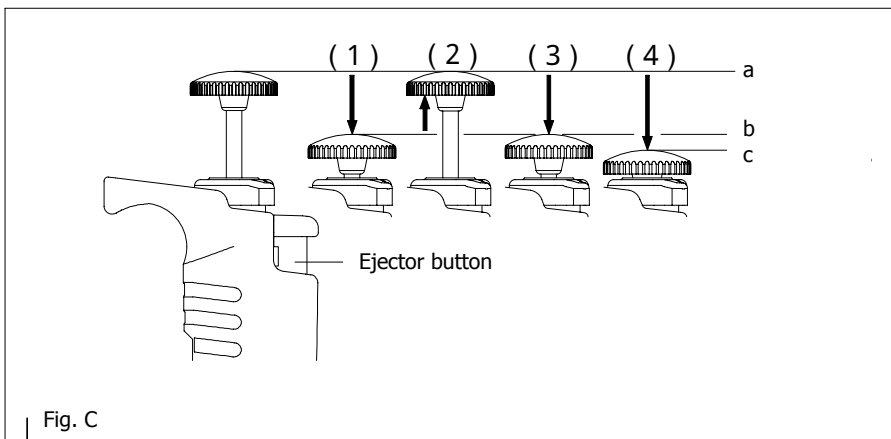
4) Release the push button slowly and smoothly to aspirate the set volume of the liquid. (Fig. D-)

5) Wait 1 to 2 seconds, then withdraw the pipette vertically and carefully from the surface of the liquid. (Fig. D-)

6) Wipe any droplets away from the outside of the tip using a medical wipe and avoid touching the tip's orifice.

Note: Do not aspirate when push button position is at "c".

Note: The push button has to be pushed and released slowly. Otherwise it may cause wrong accuracy.



3. Dispensing liquid

- 1) Gently place the end of tip against inside wall of recipient vessel just above liquid surface 10 degrees to 45 degrees in angle.
- 2) Press down the push button slowly and smoothly to the first stop "b". Wait for a few seconds then press down the push button to the second stop to expel the last drop of the liquid from the tip. (Fig. D- ,)
- 3) Release the push button slowly.
- 4) Press the ejector button to remove the tip and dispose of it. (Fig. D-)



When using any toxic or harmful liquid to human, do not touch any used tips.

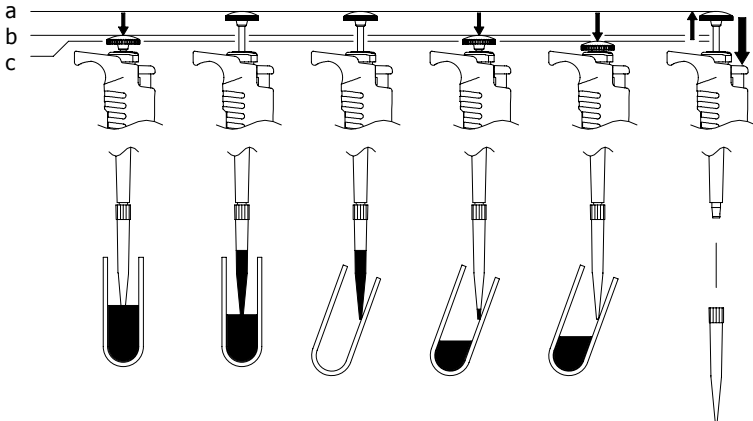
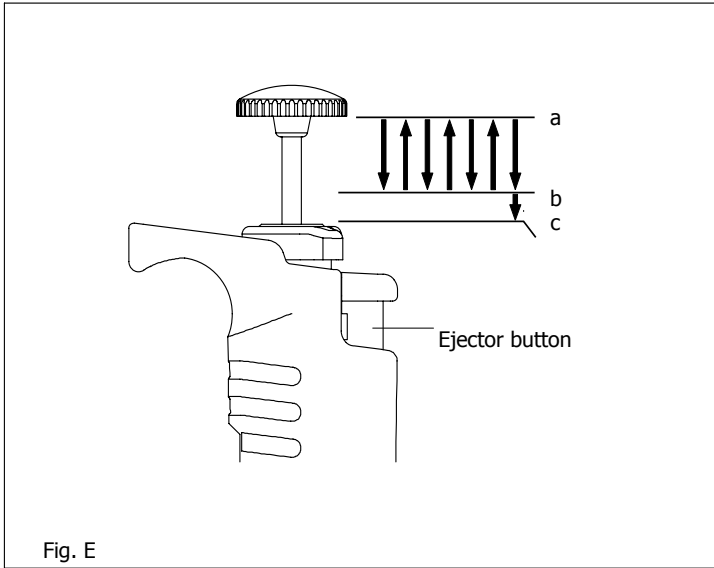


Fig. D

4. Recommendation for accurate pipetting

In addition to the above mentioned operations of pipetting, the following procedure maximizes performance of pipette.

- 1) Make sure that tip is firmly attached to nozzle end.
- 2) Before pipetting, pre-rinse the tip by filling and expelling the tip for three to five times. It gives good precision of pipetting, especially with a viscosity or a vaporous liquid.



- 3) Especially with volumes under 50ul, the operation should be done very slowly and smoothly and the air humidity should be as high as possible to reduce the effect of evaporation loss.
- 4) Sampling high density liquids and viscous solutions.
When aspirating, once the liquid has entered the tip, wait 2 to 3 seconds before removing the tip from the surface of the liquid. When dispensing, wait 2 to 3 seconds at the first stop position before pushing to the second stop position.

Disassembling/Reassembling the airtight chamber

If such symptoms as mentioned in "Troubleshooting" (page 21) occur, disassemble and inspect pipette according to the following procedures.

1. Disassembling

Remove an ejector setting screw.

- 2ul – 200ul : Fig. F-(1-1)

Turn the ejector setting screw to the direction of the arrow to remove it, and then pull out ejector pipe to the direction of arrow.

- 5000ul, 10000ul: Fig. F-(2-1)

Turn the ejector setting screw to counterclockwise to remove it, and then pull out the ejector pipe to the direction of arrow.

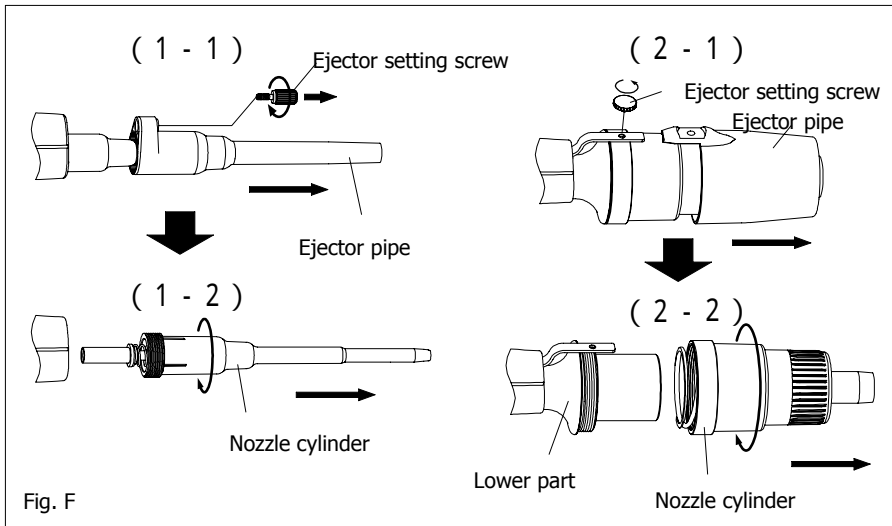


Fig. F

Turn the nozzle cylinder to counterclockwise to remove it, as it is screwed into the main body.

Note: When removing the nozzle cylinder, take care with the internal parts as some of them occasionally spring out of the body (for types of 2ul to 1000ul volume).

Remove internal parts one after another.

- 2ul-1000ul : Fig.G1, G2, G3

Remove the plunger, 1st spring, O-ring retainer, O-ring, and seal ring from the nozzle cylinder.

* The shape of the O-ring retainer differs depending on the type of the pipette.

- For the 20ul type, remove the fluoroplastic (PTFE) spacer located inside.

- 5000ul, 10000ul : Fig.G4, G5

Remove the seal spring, the O-ring retainer, the O-ring and the seal ring from the nozzle cylinder.

Note: Shapes of the O-ring retainer are different by size of pipette.

Note: Pay attention to small parts for not losing them during disassembling.

2. Reassembling

Reassemble nozzle cylinder.

- 2, 10, 20ul : Fig. G1, 100, 200ul : Fig G2, 1000ul : Fig G3

Firstly, set 1st spring on plunger, next set O-ring retainer, seal ring and O-ring in this order. Then, insert assembled plunger into nozzle cylinder and screw it into the body.

- 5000ul: Fig. G4, 10000ul : Fig. G5

Set volume setting below 30% of maximum volume. Assemble the seal ring, the O-ring and the O-ring retainer together, and place it on the seal spring(Fig. H-(1)). Place O-ring side on the ground, and insert the plunger into the seal spring until the O-ring is fully inserted. Take extreme care not to bend or twist the seal ring when inserted to the plunger(Fig. H-(2)). Put the nozzle cylinder over the plunger with the seal spring, the seal ring, the O-ring retainer and O-ring, and screw securely to the lower body(Fig. H-(3)).

Note: For 1000ul, 5000ul and 1000ul, make sure the seal ring and the O-ring are securely assembled. Strained or twisted seal ring or O-ring may cause leakage.

Note: When screwing into the body, make sure that the nozzle cylinder and the body are in vertical direction, and screw the nozzle cylinder into the body very gently. If not, it may cause leakage.

Note: When reassembling, be careful not to put the seal ring and O-ring in the wrong order. If the order is wrong, it may cause not only leakage but also inaccuracy, failure in extracting liquid, etc.

Fit the ejector pipe to the body.

- 2, 10, 20ul : Fig G1, 100,200ul : Fig. G2 1000ul: Fig. G3

While pressing down the ejector button with your finger so that the metal stay sticks out from just under the grip, insert the ejector pipe into the body and fix it with the ejector setting screw. When ejection needs extra strength, snugly adjust position of the ejector pipe(Fig. J)

Note: After reassembling, repeat trial operation several times and inspect that there is nothing wrong with the pipette.

NPLO2 - 2/NPLO2 - 10/NPLO2 - 20

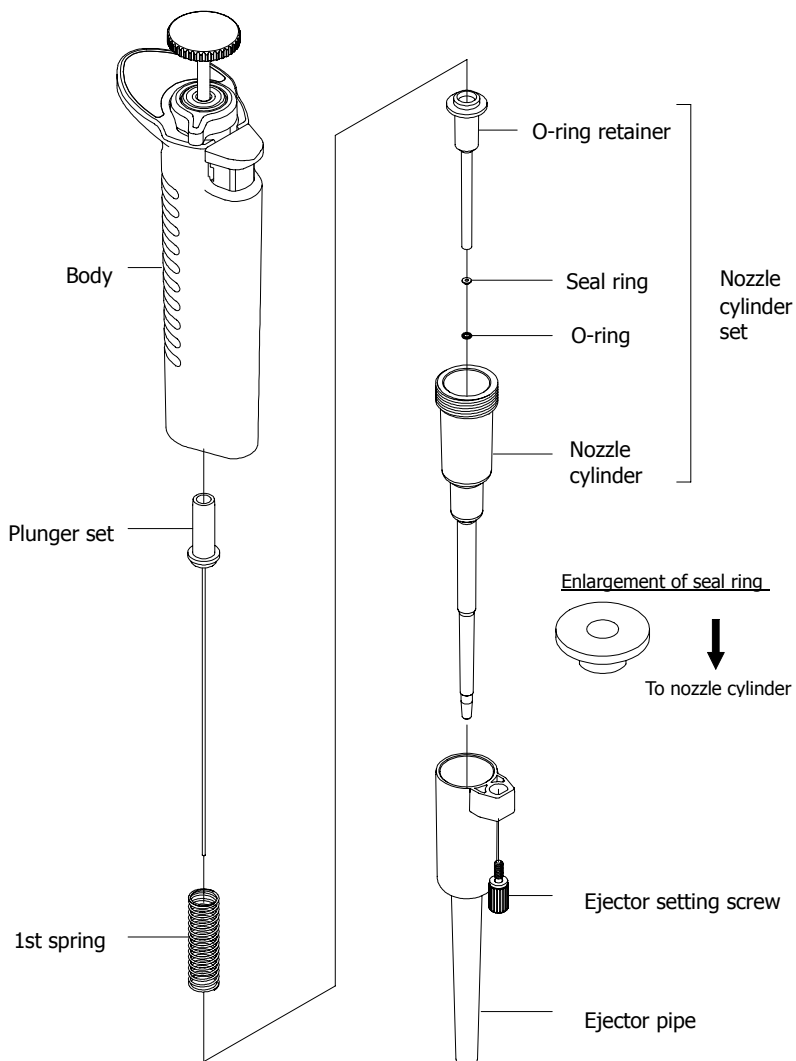


Fig. G1

NPLO2 - 100/NPLO2 - 200

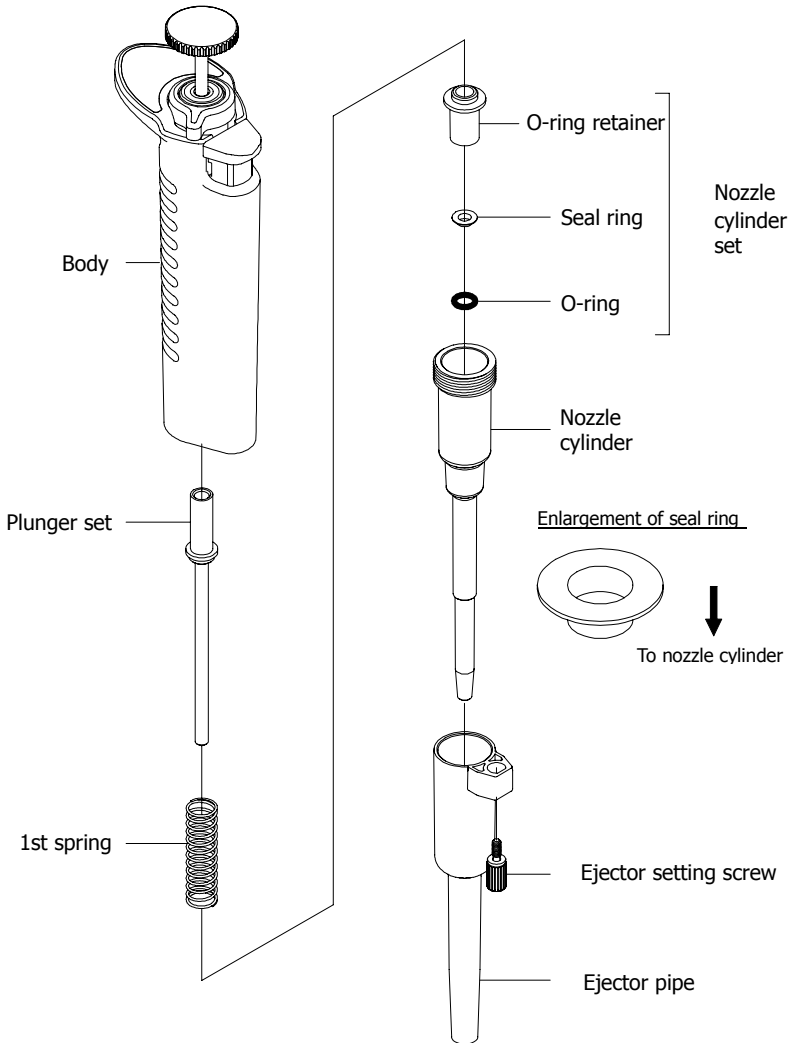


Fig. G2

NPLO2 - 1000

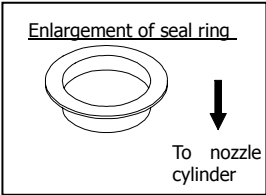
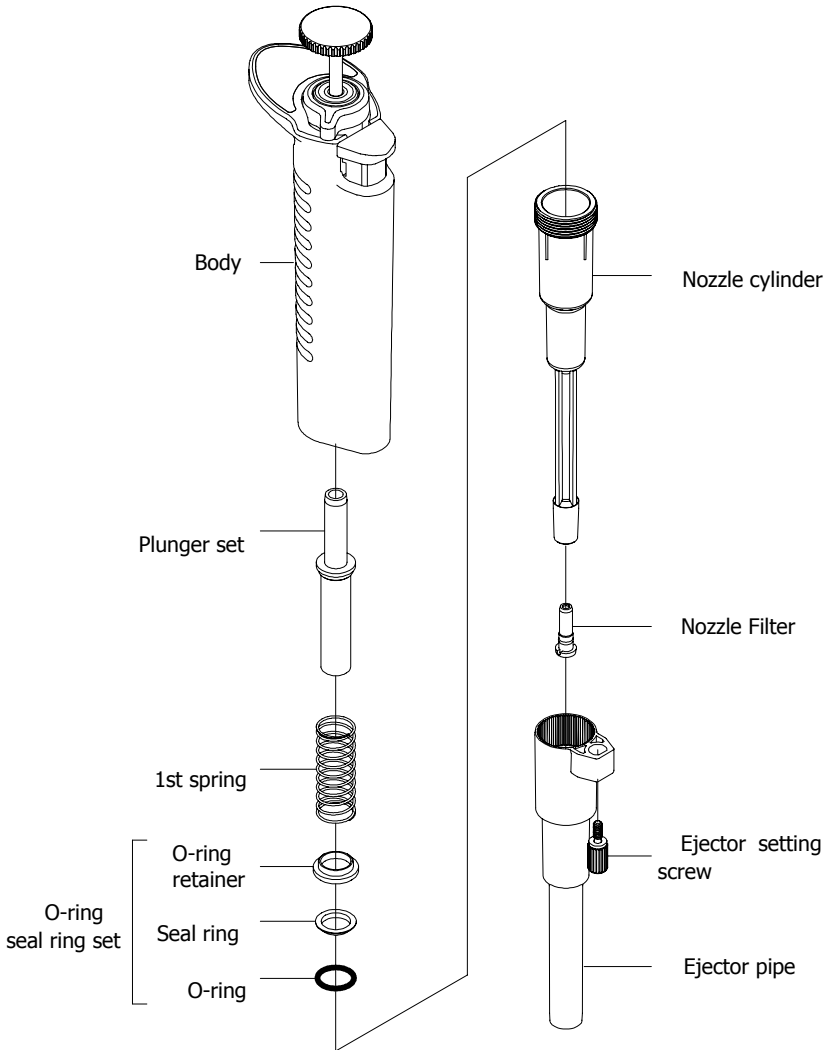


Fig. G3

NPLO2 - 5000

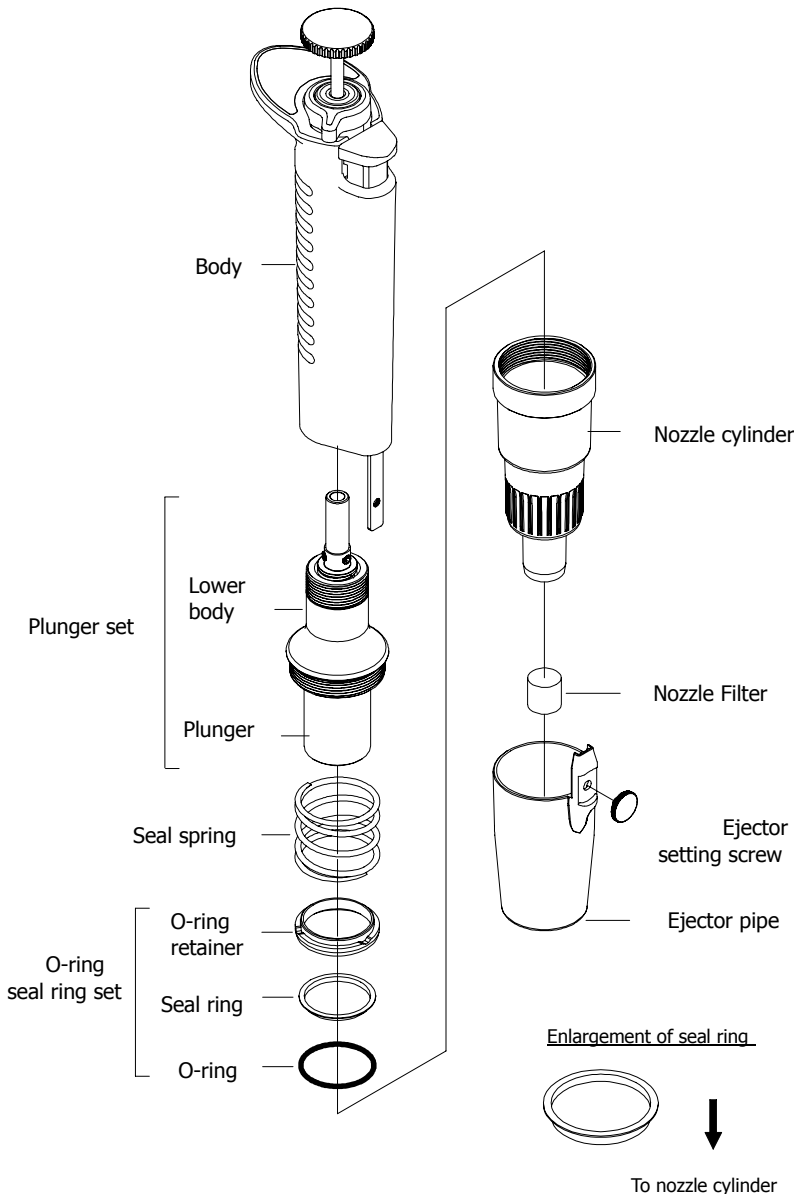


Fig. G4

NPLO2 - 10000

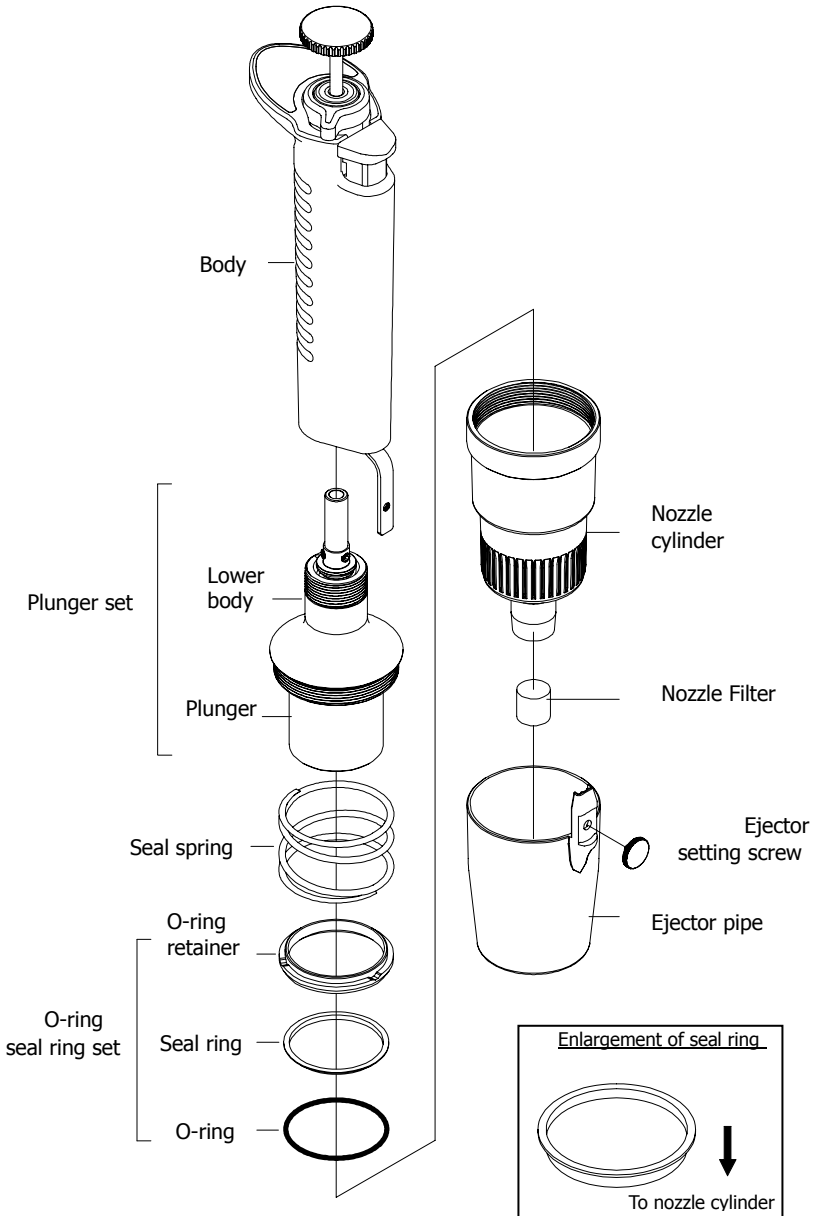
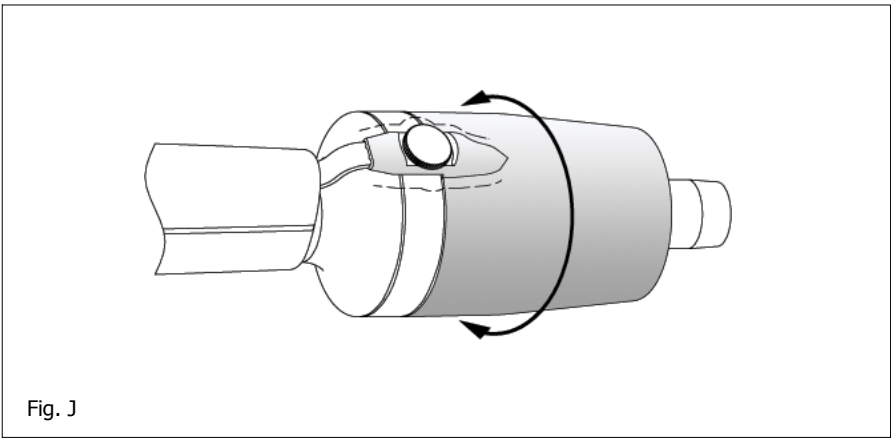
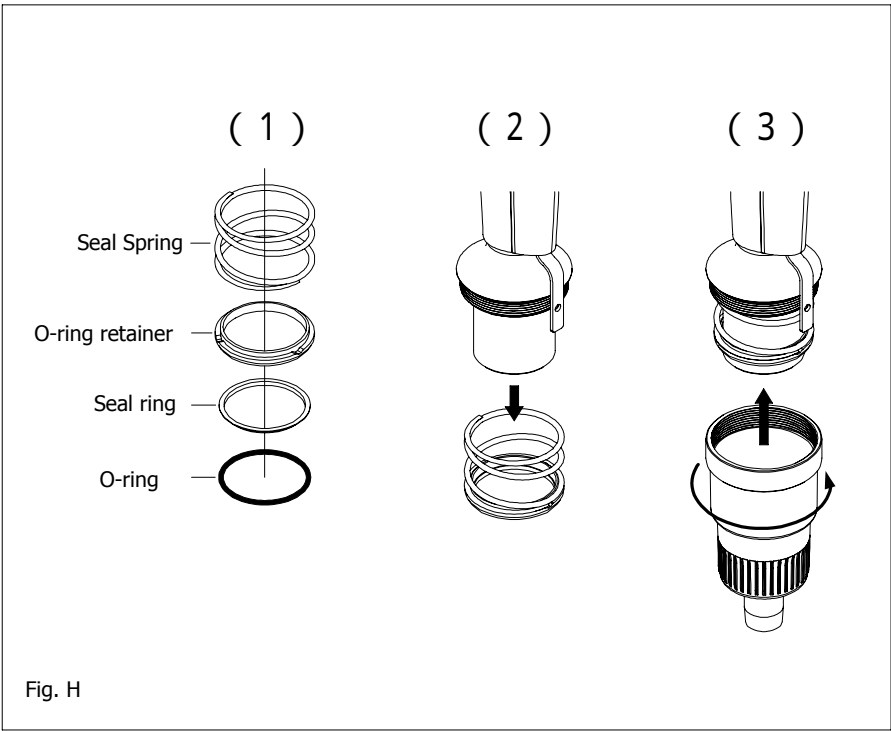


Fig. G5



Filter replacement procedure

1000ul: Fig. K- ,

Insert the tips of filter remover into two notches on the sides of a filter, and pull out the filter in the direction of the arrow.

Set the projection of a new filter in the internal groove of the nozzle, and then press the filter into the nozzle.

5000ul, 10000ul: Fig. K- ,

Insert the filter remover into the filter and pull in the direction of the arrow.

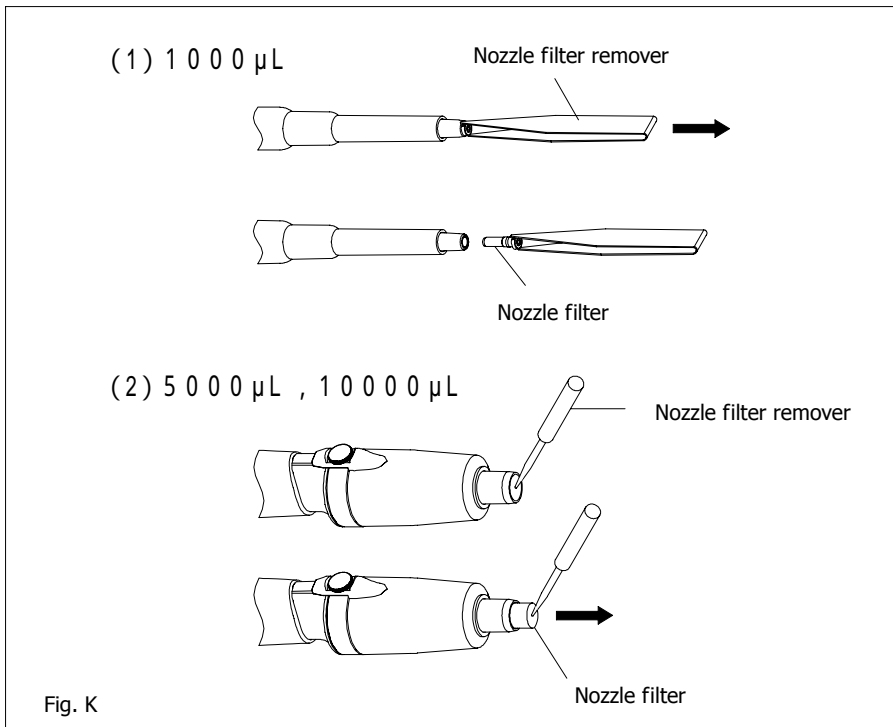
Insert a new filter into the nozzle.



Do not touch filters which may be contaminated by harmful substances.



Take extreme care for sharpness of Nozzle filter remover when filters for 5000 ul or 10000ul types are taken off.



Autoclaving

This pipette is autoclavable. When autoclaving, carry it out at 121°C for 20 minutes following the procedure mentioned below.

For the 1000 ul, 5000 ul and 10000 ul types, remove the filter referring to the "Filter replacement procedure" mentioned on P16.

Release the lock lever from the locked position and set the counter graduation to the allowable limit of the liquid volume.

After autoclaving is complete, dry the pipette completely.

Note: When autoclaving, don't pile pipettes on others in the autoclave or lean pipettes with a nozzle top facing down so that self-load is applied on the nozzle. This pipette is made of an autoclave compatible material, but because of high temperature in the sterilizer, there is a risk that parts subject to load will be deformed.

Drying the pipette

Dry the pipette immediately after autoclaving is complete. It is necessary to dry the pipette with a constant temperature air-drier at 60°C for 60 minutes or longer.

Pull out the ejector pipe, referring to "Disassembling" on page 7.

Turn the nozzle cylinder counterclockwise by two and a half turns to loosen it.

Put the pipette in a constant temperature air-drier for drying.

After the pipette is dry, wait until it returns room temperature and then fasten the nozzle cylinder and reassemble the ejector pipe into the body.

Note: If the pipette is reassembled when it is still warm, it may cause breakdown or deterioration of the pipette such as breakage of the screw threads, etc. Be sure to reassemble the pipette after it has completely cooled down. If the pipette is used when it is warm, accurate liquid handling can not be carried out.



: Don't touch the pipette directly right after drying, because it will have got very hot during drying. Touching the hot pipette directly may cause injury. Components of water used for autoclave may cause pipette malfunction or performance.

Specifications

Nichipet EX Plus II is a high quality pipette. The technical figures given in the Table-1 "Nichipet EX Plus II Maximum Permissible Errors" were obtained using genuine Nichiryo BMT Tips. Nichiryo declares that pipettes comply with the requirement of the ISO 8655 Standard, by type testing. The adjustment is carried out under strictly defined and monitored conditions (ISO 8655-6):

- The basis of adjustment, EX Plus II
- Reference temperature, 20°C-25°C
- Relative humidity, more than 50%
- Barometric pressure, 101KPa,
- Use of distilled water, distilled water
- Ten measurements for each test volume at three points, nominal volume, 50% of nominal volume and the minimum or 10% of nominal volume.

Table-1:Nichipet EX Plus II Maximum Permissible Errors

Pipette types (Code)	Volume range (ul)	Volume (ul)	Accuracy (systematic error) AC (%)	Precision (random error) CV(%)
NPLO2-2	0.1-2 (ul)	0.2	±12.0	≤6.0
		1	±5.0	≤2.5
		2	±3.0	≤1.0
NPLO2-10	0.5-10 (ul)	1	±4.0	≤3.0
		5	±1.0	≤1.0
		10	±1.0	≤0.5
NPLO2-20	2-20 (ul)	2	±5.0	≤3.0
		10	±1.0	≤1.0
		20	±1.0	≤0.4
NPLO2-100	10-100 (ul)	10	±2.0	≤1.0
		50	±1.0	≤0.3
		100	±0.8	≤0.3
NPLO2-200	20-200 (ul)	20	±1.0	≤0.5
		100	±0.8	≤0.3
		200	±0.8	≤0.2
NPLO2-1000	100-1000 (ul)	100	±1.0	≤0.5
		500	±0.8	≤0.3
		1000	±0.7	≤0.2
NPLO2-5000	1000-5000 (ul)	1000	±1.0	≤0.3
		2500	±0.8	≤0.3
		5000	±0.6	≤0.2
NPLO2-10000	1000-10000 (ul)	1000	±2.0	≤0.4
		5000	±0.8	≤0.3
		10000	±0.4	≤0.2

*Obtained values for accuracy and precision may vary by familiarity of user especially less than 0.2ul with NPLO2-2

* The data given in the table conform to the ISO 8655-6 standard.

Volume setting procedure

* For good volume setting (calibration), Volume adjustment should be conducted minimum volume setting first and then followed by maximum volume setting for each size of pipettes.

Loosen the lock lever freely.

Insert the adjustment tool's tabs into the two grooves on the adjustment head. (Fig. L)

Hold the unit in one hand and secure the adjustment tool not to turn. (Fig. L)

Rotate the push button clockwise for dispensing volume increase (the counter display turns to lower.), and counter-clockwise for dispensing volume decrease (the counter display turns to raise.).

Please refer to the "Table-Calibration guideline" below for approximate rotating scale on the display.

Note: Be sure the lock lever is loosened before adjusting.

Note: Rotating directions for volume adjustment are as follows.

Dispensing volume increase (counter display turns to lower) : clockwise

Dispensing volume decrease (counter display turns to raise) : counter-clockwise

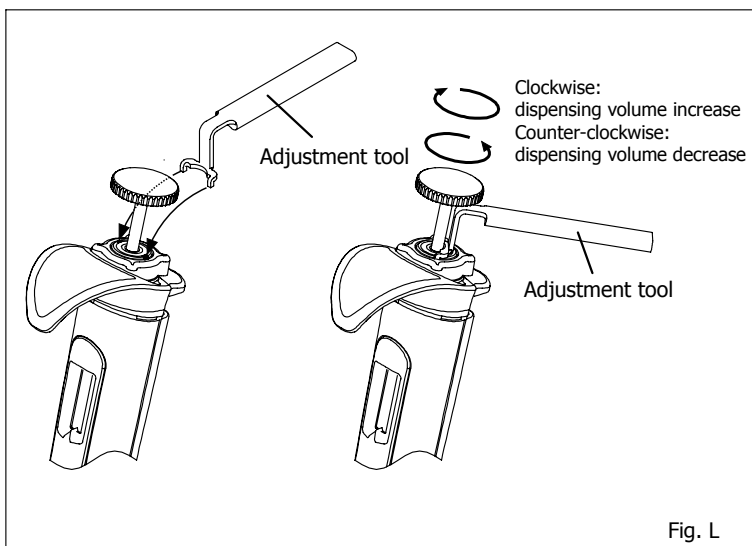


Fig. L

Table-2 Calibration guideline

(Unit: ul)

	1 scale mark	2 scale marks	5 scale marks	10 scale marks
NPLO2-2	0.0015	0.0029	0.0073	0.0145
NPLO2-10	0.0077	0.0154	0.0385	0.0769
NPLO2-20	0.012	0.025	0.062	0.125
NPLO2-100	0.078	0.156	0.390	0.780
NPLO2-200	0.13	0.25	0.63	1.26
NPLO2-1000	0.79	1.58	3.96	7.91
NPLO2-5000	8.0	16.0	40.0	79.9
NPLO2-10000	8.0	16.1	40.2	80.3

The numerical values (volume) above are for reference only. For actual measurement, please use a balance which is properly calibrated.

Volume measurement

<Procedure>

In order to avoid influence from temperature, prepare pipettes for inspection, distilled water, balances and tips 2 to 3 hours before using at where measurement is conducted.

* Measurement room should be controlled temperature between 20-25°C, and measurement should be held at where there is no direct wind from Air-conditioner.

Pick up a proper tip from tip rack, and aspirate sample water.

Dispense the sample for measuring with a balance.

Read volume measurement by the balance, and compute accurate volume by following formula.

$$V_i = m_i \times Z$$

V_i :Volume
 m_i :Measured volume
 Z :Z correction factor

Add all 10-time V_i volumes, and divide the sum by 10 to compute a mean volume.

$$\bar{V} = \frac{1}{10} \times \sum_{n=1}^n V_i$$

Calculate the systematic error e_s of the pipette, where V_i is the selected test volume.

$$e_s = 100 \times \frac{(\bar{V} - V_s)}{V_s}$$

Calculate the coefficient of variation, CV , by formula for standard deviation.

$$CV = \frac{100}{\bar{V}} \times \sqrt{\frac{\sum_{i=1}^n (V_i - \bar{V})^2}{n-1}}$$

Table-3 Z correction factor for distilled water

Temperature (°C)	Air Pressure (kPa)			
	95	100	101.3	105
20.0	1.0028	1.0028	1.0029	1.0029
20.5	1.0029	1.0029	1.0030	1.0030
21.0	1.0030	1.0031	1.0031	1.0031
21.5	1.0031	1.0032	1.0032	1.0032
22.0	1.0032	1.0033	1.0033	1.0033
22.5	1.0033	1.0034	1.0034	1.0034
23.0	1.0034	1.0035	1.0035	1.0036
23.5	1.0036	1.0036	1.0036	1.0037
24.0	1.0037	1.0037	1.0038	1.0038
24.5	1.0038	1.0039	1.0039	1.0039
25.0	1.0039	1.0040	1.0040	1.0040

Troubleshooting

Symptom	Possible cause	Remedy
Tip cannot be ejected.	Nozzle cylinder loosens	Tighten up the nozzle cylinder securely.
Pipette fails to aspirate liquid.	Filter is soaked with liquid.(1000ul or larger has a filter)	Replace the filter with a new one (supplied as a standard accessory, or purchase a filter set for replacement).
	Seal ring and O-ring are assembled in reverse order.	Reset the seal ring and O-ring set according to the manual in "Disassembling/reassembling".
	Seal ring or/and O-ring set are worn.	Replace an seal ring and O-ring set.
Extracted liquid leaks from tip.	Nozzle cylinder loosens	Tighten up the nozzle cylinder securely.
	Nozzle cylinder is worn (stepped wear can be checked by eye).	Replace an nozzle cylinder.
	Seal ring and O-ring set is worn because the plunger is damaged or rusty.	Replace an seal ring and O-ring set.
	The tip is loosely attached.	Replace an seal ring and O-ring set.
Push button moves stiffly.	The tip is loosely attached.	If the push button does not work well after dispensing, or it is sticking to the body, disassemble the pipette and wash/clean every part (or wipe down every part with soft cloth(. If there are some parts getting rusty or corroded inside the body, replace the parts with new ones.



If the pipette can not be fixed after examining and conducting the above mentioned procedure, immediately stop using the pipette and ask us or our agent to repair it.

Before bring the pipette for repair, be sure to check whether it has been contaminated with microbes or harmful substance.

Consumables

•Tip (Autoclavable)

Code	Volume range (ul)	Color	Applicable pipette	Tip length (mm)	Q'ty
BMT-UT	0.1-10	Clear	NPLO2-2	31.0	1000
BMT-SS	0.5-10	Clear	NPLO2-10	45.5	1000
BMT-SG	2-200	Clear	NPLO2-20,100,200	53.0	1000
BMT-L	100-1000	Clear	NPLO2-1000	77.0	1000
BMT-X	1000-5000	Clear	NPLO2-5000	132.0	200
BMT-Z	1000-10000	Clear	NPLO2-10000	158.0	200

•Racked tip (Autoclavable)

Code	Volume range (ul)	Color	Applicable pipette	Q'ty
BMT-UTR	0.1-10	Clear	NPLO2-2	960 (96pcs x 10 cases)
BMT-SSR	0.5-10	Clear	NPLO2-10	960 (96pcs x 10 cases)
BMT-SGR	2-200	Clear	NPLO2-20,100,200	960 (96pcs x 10 cases)
BMT-LR	100-1000	Clear	NPLO2-1000	1000 (100pcs x 10 cases)
BMT-XR	1000-5000	Clear	NPLO2-5000	100 (50pcs x 2 cases)

Spare Part list

	Code	Description	Content	Type in volume
	00-LO2-0100002	Plunger set 2ul	Plunger head/plunger	2ul
	00-LO2-0100010	Plunger set 10ul	Plunger head/plunger	10ul
	00-LO2-0100020	Plunger set 20ul	Plunger head/plunger	20ul
	00-LO2-0100100	Plunger set 100ul	Plunger head/plunger	100ul
	00-LO2-0100200	Plunger set 200ul	Plunger head/plunger	200ul
	00-LO2-0101000	Plunger set 1000ul	Plunger head/plunger	1000ul
	TBA	Plunger set 5000ul	Plunger head/plunger block(w/O-ring)/ joint shaft / joint plate	5000ul
	TBA	Plunger set 10000ul	Plunger / joint block(w/O-ring)/ joint shaft / joint plate	10000ul
	00-LO2-0200002	First spring 2ul	First spring	2ul
	00-LO2-0200010	First spring 10ul	First spring	10ul
	00-LO2-0200020	First spring 20ul	First spring	20ul
	00-LO2-0200100	First spring 100ul	-----	100ul
	00-LO2-0200200	First spring 200ul	-----	200ul
	00-LO2-0201000	First spring 1000ul	-----	1000ul
	00-LO2-0400002	Nozzle 2ul	Nozzle	2ul
	00-LO2-0400010	Nozzle cylinder set 10ul	O-ring/seal ring/O-ring retainer/nozzle cylinder	10ul
	00-LO2-0400020	Nozzle cylinder set 20ul	O-ring/seal ring/O-ring retainer/nozzle cylinder	20ul
	00-LO2-0400100	Nozzle cylinder 100ul	-----	100ul
	00-LO2-0400200	Nozzle cylinder 200ul	-----	200ul
	00-LO2-0401000	Nozzle cylinder 1000ul	-----	1000ul
	00-LO2-0405000	Nozzle cylinder 5000ul	-----	5000ul
	00-LO2-0410000	Nozzle cylinder 10000ul	-----	10000ul
	00-LO2-2205000	Seal spring 5000ul	-----	5000ul
	00-LO2-2210000	Seal spring 10000ul	-----	10000ul
	00-LO2-0300100	O-ring seal ring set 100ul	O-ring/seal ring/ O-ring retainer	100ul
	00-LO2-0300200	O-ring seal ring set 200ul	O-ring/seal ring/ O-ring retainer	200ul
	00-LO2-0301000	O-ring seal ring set 1000ul	O-ring/seal ring/ O-ring retainer	1000ul

国内と同様の構成でも、一段バネがS U Sになるのでコードは異なります

国内と異なる構成（インコネルではなくS U S）の部分は紫文字です

国内は、20 μLは「ノズルシリンダーセット」ではなく「ノズルシリンダー」単体です

上記の場合、ここに20 μLの「リング・シールリングセット 20 μL」が入ります。コード：00-LO2-0300020

	00-LO2-0305000	O-ring seal ring set 5000ul	O-ring/seal ring/O-ring retainer	5000ul
	00-LO2-0310000	O-ring seal ring set 10000ul	O-ring/seal ring/O-ring retainer	10000ul
	00-LO2-0900010	Ejector pipe A	-----	2/10ul
	00-LO2-0900200	Ejector pipe B	-----	20/100/200ul
	00-LO2-0901000	Ejector pipe C	-----	1000ul
	00-LO2-0905000	Ejector pipe D	-----	5000ul
	00-LO2-0910000	Ejector pipe E	-----	100000ul
	00-LO2-0801000	Ejector setting screw set	Setting screw/spring washer/washer	2/10/20/100/ 200/1000ul
	00-LO2-0815000	Ejector setting screw	-----	5000ul/10000ul
	00-LO2-0601000	Nozzle filter (10pcs)	-----	1000ul
	00-NX2-0615000	Nozzle filter (100pcs)	-----	5000ul/10000ul
	00-NX2-1100000	Nozzle filter remover	-----	1000ul
	00-NX2-1500000	Nozzle filter remover	-----	5000/10000ul
	00-LO2-1600000	Volume adjustment tool	-----	All

For repair, service or information you may contact your local distributor.



Manufacturer:

 **NICHIRYO CO.,LTD.**

Tokyo office

2, Kandamikura-cho, Chiyoda-ku, Tokyo 101-0038, Japan

TEL: +81-3-6661-2602(English) FAX: +81-3-6661-2604

URL: <http://www.nichiryō.co.jp/>

E-mail: i-sales@nichiryō.co.jp