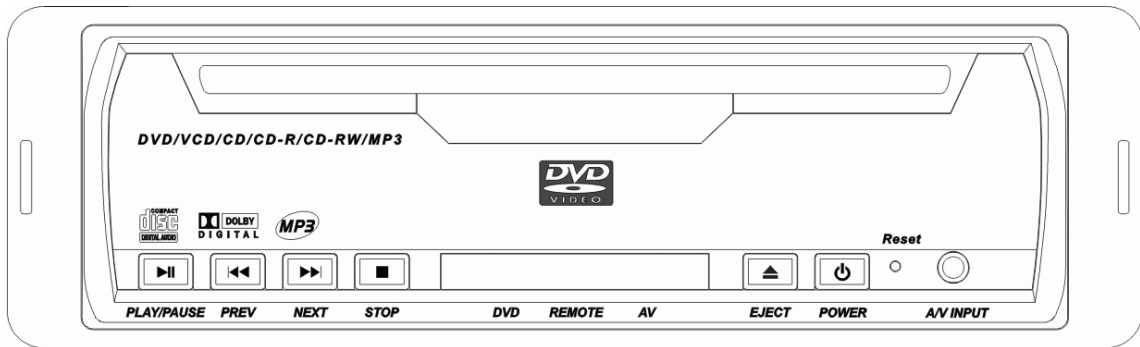


OWNER'S MANUAL

Mobile Video System



SAFETY INFORMATION

Please read the manual carefully before operating this unit and keep it for future reference.

CAUTION: This unit is a class 1 laser product. To prevent direct exposure to the laser system, do not open the unit. The laser beam may hurt your eyes. If the unit requires adjustments, contact an authorized service centre.

USE THIS PRODUCT SAFELY

Be sure you fully understand the following safety information:

When driving

Keep the unit at an appropriate sound level. Driving with the sound at a level preventing you from hearing sounds outside and around the car may cause an accident.

When cleaning

Do not expose the product to water or excessive moisture. This could cause short circuit, fire or other severe damage.

When parked

Parking in direct sunlight can result in very high temperature levels inside your car. Let the interior and unit cool down before switching the unit on.

NOTE:

Do not use and store the player in dusty, hot or humid environment.

FUSE REPLACEMENT – WARNING!



Never replace any fuse with one of a higher value than the fuse supplied with your unit. Using a higher current rated fuse may cause damage to your unit and/or electrical wiring.

FEATURES

True DIN Size DVD Player
DVD/VCD/CD/CD-R/CD-RW/MP3 Compatible
Full Function Remote Control
Extra Remote Eye
Last Position Memory
On Screen Display
Built-in Dolby Digital Decoder
Digital Anti-Shock
NTSC/PAL Switchable
FrontAudio, Video Input
Audio, Video Output
Coaxial Output

NOTE:

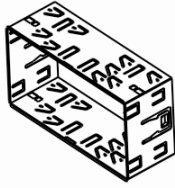
This user's manual is only for reference.

Modifying rights are reserved.

Specifications are subject to change without notice.

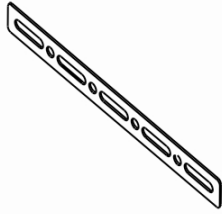
ACCESSORIES

1



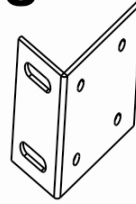
Mounting Box x1

2



Steel Bar x1

3



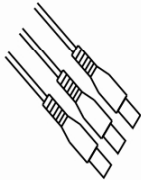
Mounting Bracket 1x2

4



M4x5 Screwsx8

5



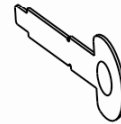
AV Cable x 2

6



Rear Mounting Bolt x1
(Fixing at rear panel)

7



Keys x 2

8



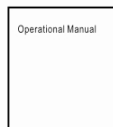
Power Connector x1

9



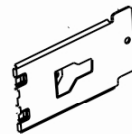
Remote Control x 1

10



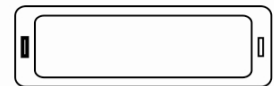
Owner's Manual x1

11



Mounting Bracket 2x2

12



Frame x1

13

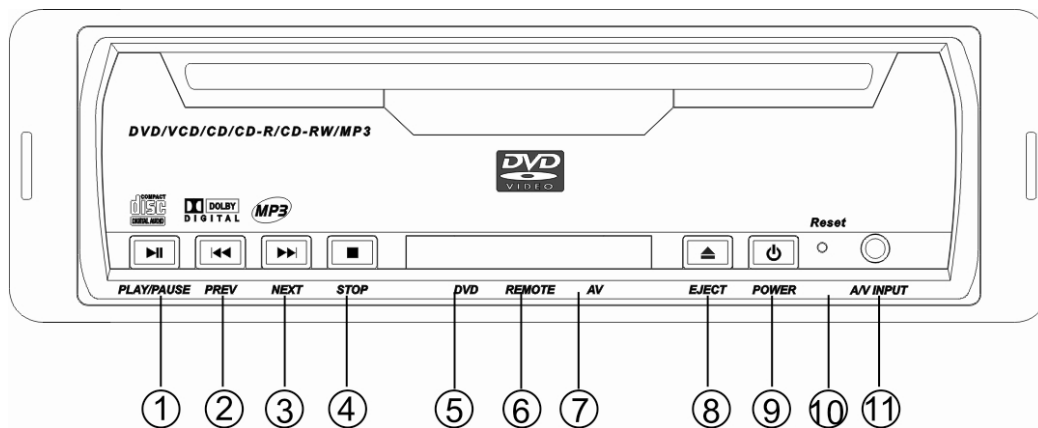


Remote Control Receiver x1

TABLE OF CONTENTS

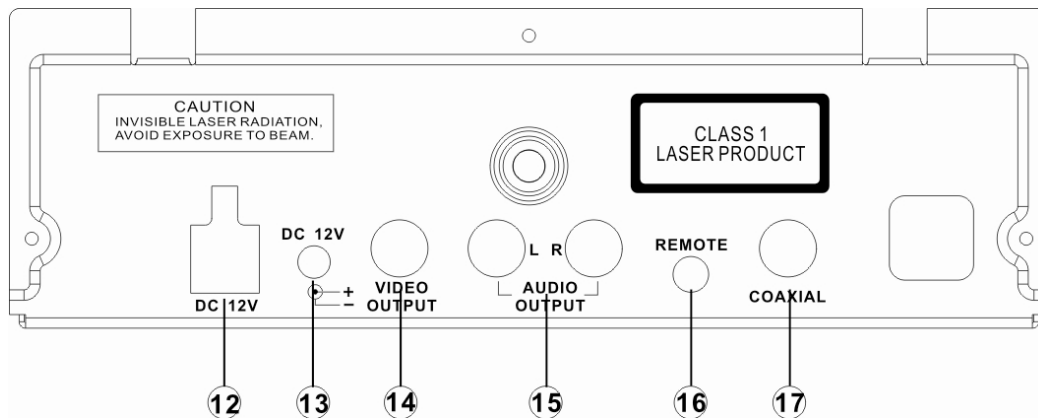
Safety information	1
Features	2
Accessories	3
Table of Contents.....	4
Front Panel Description	5
Rear panel Description	5
Remote Control Description	6
Installation and Removal	8
Wire Connection	11
Disc Notes	12
Disc Operation	13
Basic Playback Operations	14
DVD Setup Menu	17
Specifications	22
Requirements	23
Trouble Shooting.....	24

FRONT PANEL



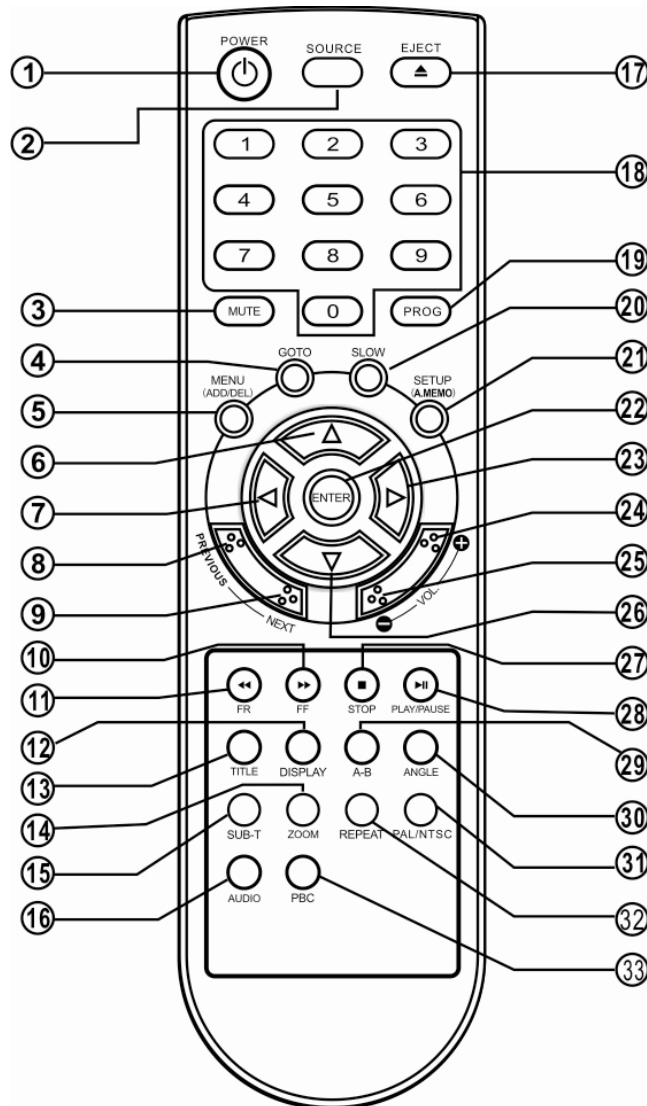
- | | |
|------------------|----------------|
| 1. POWER / PAUSE | 7. AV LED |
| 2. PREVIOUS | 8. EJECT |
| 3. NEXT | 9. POWER |
| 4. STOP | 10. RESET |
| 5. DVD LED | 11. A/V INPUTE |
| 6. REMOTE | |

REAR PANEL



- | | |
|------------------|-------------------|
| 12. DC 12V IN 1 | 15. AUDEO OUTPUT |
| 13. DC 12V IN2 | 16. REMOTE SOCKET |
| 14. VIDOU OUTPUT | 17. COAXIAL |

REMOTE CONTROL



- 1. POWER
- 2. SOURCE
- 3. MUTE
- 4. GOTO
- 5. MENU
- 6. UP
- 7. LEFT
- 8. PREVIOUS
- 9. NEXT
- 10. FF
- 11. FR
- 12. VOLUME+

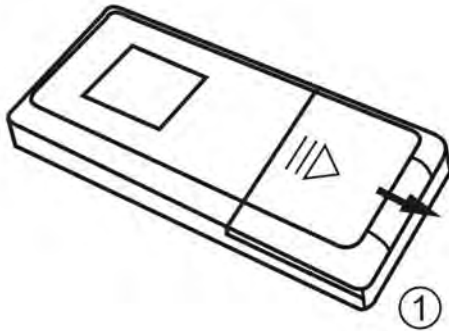
- 13. TITLE
- 14. ZOOM
- 15. SUBTITLE
- 16. AUDIO
- 17. EJECT
- 18. NUMBER BUTTONS
- 19. PROG
- 20. SLOW
- 21. SETUP
- 22. ENTER
- 23. RIGHT

- 25. VOLUME-
- 26. DOWN
- 27. STOP
- 28. PLAY/PAUSE
- 29. A - B
- 30. ANGLE
- 31. PAL/NTSC
- 32. REPEAT
- 33. PBC

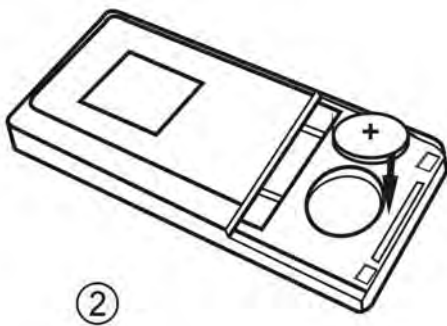
Replacing the Batteries

If the remote control has no function or if the operating range is reduced, replace the old battery with new one.

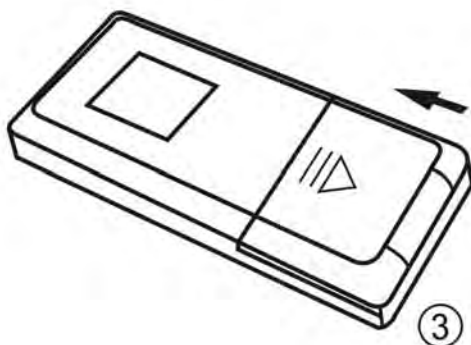
1. Remove the battery cover. Follow the arrow (1) slide the tab to the right while pulling the cover away at the same time.



2. Place the new battery in the tray and slide the cover back into place.



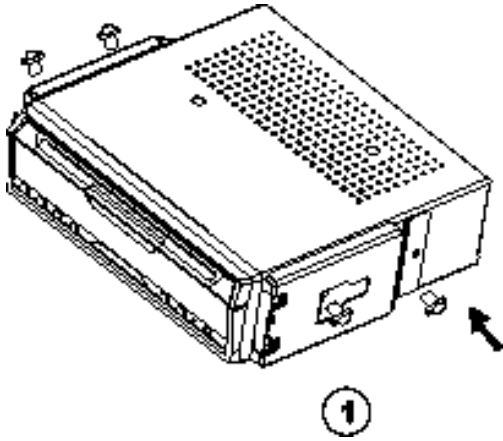
3. Make sure the cover is locked into place.



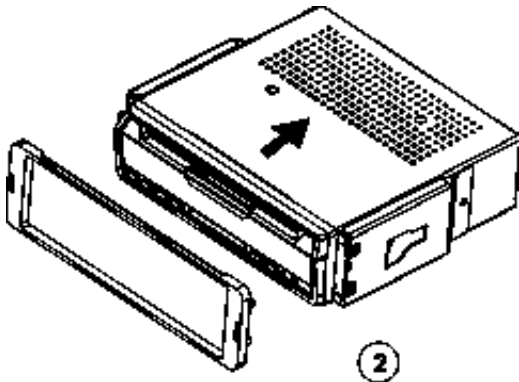
UNIT INSTALLATION

Installation Method 1:

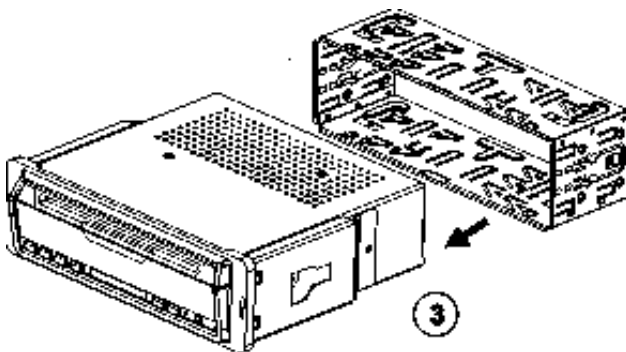
1. Tighten mounting bracket 2(accessory 11) to the side of the unit:



2. Mount the frame (accessory 12) and check that it is hooked to the unit.

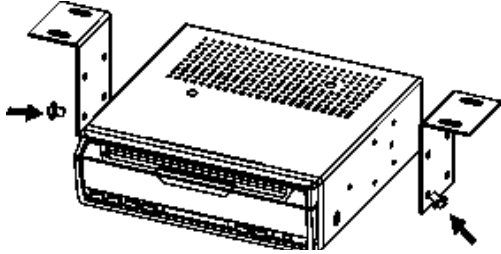


3. Hitch the mounting box(accessory 1) to the unit from rear to front.



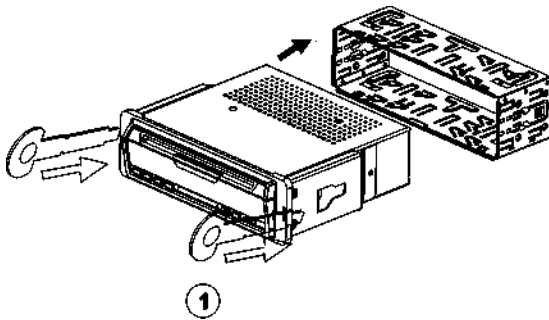
Installation Method 2:

1. Select a position where the screw holes of the main unit become aligned with the mounting bracket 1 's (accessory 3) tighten the screws on each side.

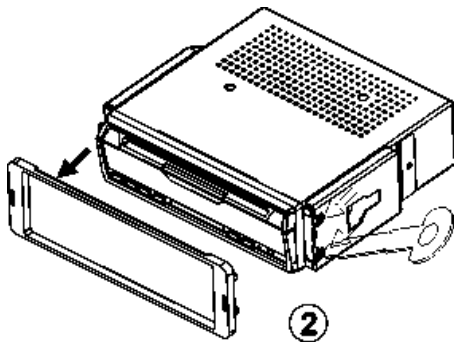


Removal Method 1:

1. Insert the keys (accessory 7) into the holes at both sides of the unit until the mounting box can be removed.

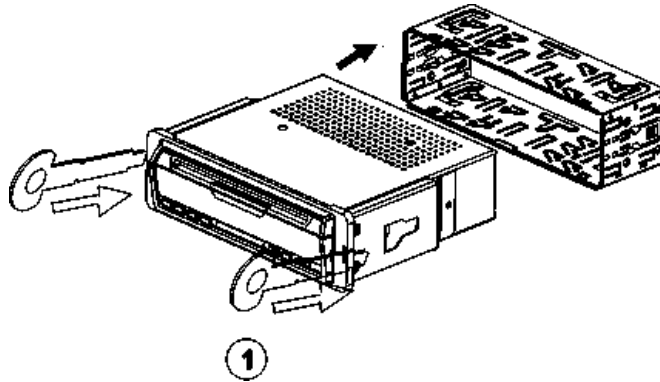


2. Remove the frame with the keys

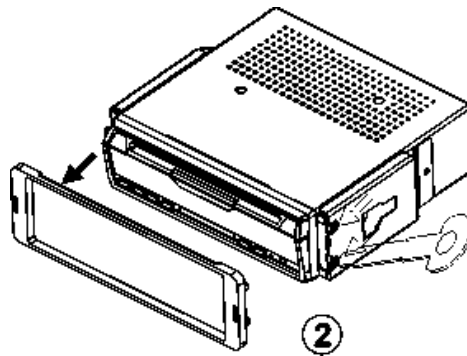


UNIT REMOVAL 1

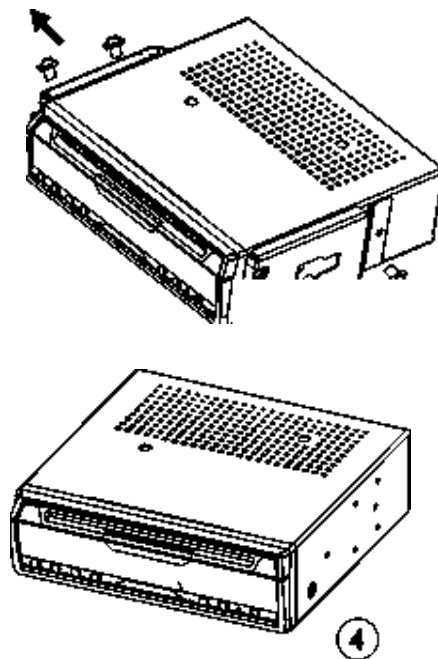
1. Insert the keys(accessory 7) into the holes at both sides of the unit until the mounting box can be removed.



2. Remove the frame with the keys.

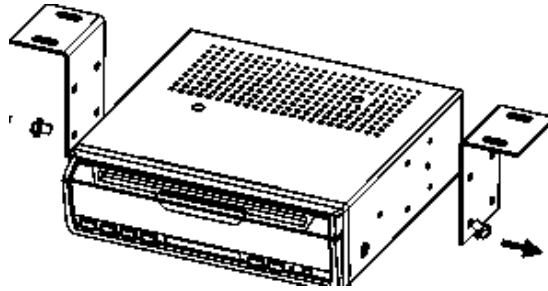


3. Remove mounting bracket 2 with screwdriver.

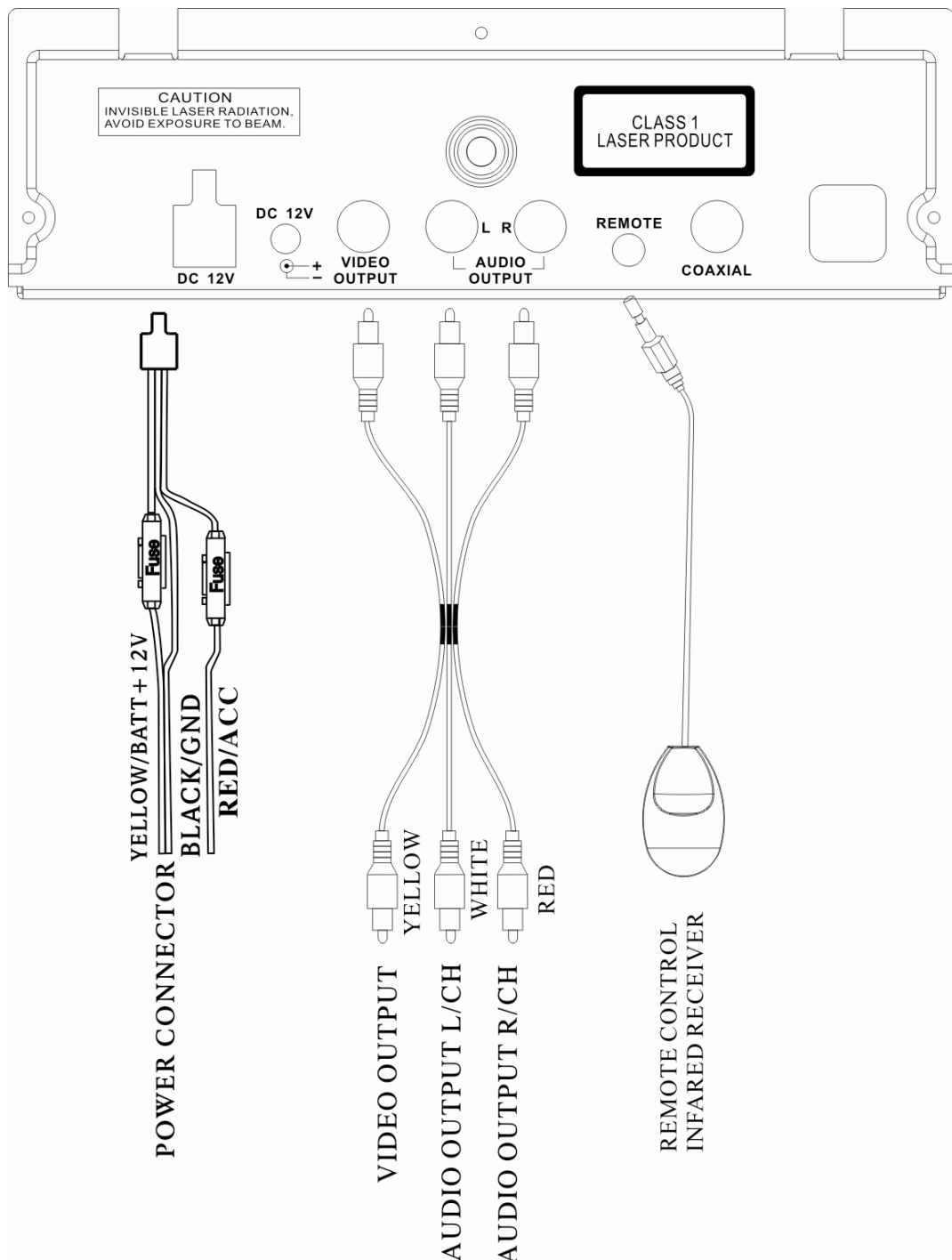


UNIT REMOVAL 2

1. Loosen the screws with screwdriver until mounting bracket 1 can be removed from the unit.



WIRE CONNECTION



NOTE:

1. If you want to extend the operational range of remote control, you can insert the remote control receiver in the rear panel

DISC NOTES

■ Disc formats supported by this player



Handling and cleaning

- Dirty, dusty, scratched or warped discs may not play properly.
- Do not place stickers or make scratches on discs
- Do not warp discs.
- Store discs in their cases when not in use.
- Do not place discs in the following places:
 1. Direct sunlight.
 2. Dirty, dusty and damp areas.
 3. High temperature places.
 4. On the sets or dashboard.

Disc Cleaning

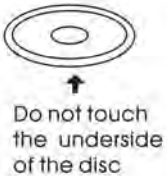
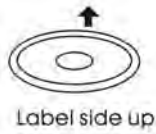
Use a dry soft cloth to wipe the surface. If the disc is quite dirty, use a soft cloth slightly moist with isopropyl (rubbing) alcohol.

Never use solvent such as benzene, thinner or conventional record cleaners which may mar the surface of the disc.

NOTE:

A disc may become somewhat scratched to a point which will skip excessively or not play at all in your player. Have the disc resurfaced or polished to reduce the issue or replace the disc with a new one.

DISC OPERATIONS



Repairing New Discs with Rough Spots

A new disc may have rough edges on its inside and outside edges. If a disc with rough edges is used, the proper setting will not be performed and the player will not play the disc. Therefore, remove the rough edges in advance by using a ballpoint pen or pencil. To remove the rough edges, press the side of the pen or pencil against the inside and outside edges of the disc.

BASIC OPERATIONS

POWER

Press the POWER button to turn the unit ON or press the same button to turn the unit OFF.

SOURCE

Press this button to select the display mode as follows:

DVD-AV IN-DVD

PLAY/PAUSE

Press the button to play or pause.

EJECT

Press this button to load or eject disc.

STOP

Press this button once when playing, the unit stops and the stop location is memorized. When user press PLAY button after that, the unit will resume the playing. If user press STOP twice, then disc stops and unit will play the disc from the beginning when press PLAY button after that.

NUMBER BUTTON

Push the number buttons directly to play your favorite track.

For example:

Choose track 8, press the number button " 8 " ; and then press the ENTER button to onfirm it.

Choose track 18, press the number button " 1 " & " 8 " ; and then press the ENTER button to confirm it.

DIRECTION BUTTON AND ENTER BUTTON

Press the DIRECTION button to move the cursor to the selected item, and then press the ENTER button to confirm it.

FF/FR

Press the button to select fast reverse or forward with different speed.

ZOOM

When playing DVD, VCD disc, press this button repeatedly to change the magnification levels.

REPEAT

When playing DVD disc, press the button to repeat the title or current chapter. When playing VCD or CD disc, press the button to repeat current track. When playing Mp3, press the button to repeat folder, the whole disc or current song.

NOTE: When playing VCD. If on the mode of PCB on, it has no function

A/B

When read DVDA/CD disc, Press the button to make the disc repeated between point A and point B. Press the button once to select point A and press again to select point B. Then the unit will repeat the content between A and B. To make the disc played normally, just press A/B button the third time.

GOTO

Press this button to select time, track or chapter.

AUDIO

When playing a DVD disc, press the button to select audio language. When playing other kinds of disc, press the button to select audio channel.

PAL/NTSC

Press the button to select video output model(NTSC/PAL/PAL60/AUTO).

DISPLAY

Press this button to display the current playback information on the screen.

VOL+/VOL-

Press the button to adjust sound volume.

MUTE

Press this button to mute.

SETUP/A.MEMO

When there is a disc in the unit Press this button to enter setup menu.

PREVIOUS/NEXT

Press this button to go to the PREVIOUS/NEXT chapter, track or song.

TITLE

For DVD discs, press this button to enter the title menu, press the DIRECTION buttons and PLAY button to select and play.(only if supported by the discs.)

PBC

Press this button to return boot menu during playing VCD disc.

MENU/ADD DEL

When read DVD disc Press this button once to return to the boot menu. If user selected none of the chapters in the menu, and press MENU/ADD DEL again, ast position memory function will turn on and the disc will be played from where user last press the MENU/ADD DEL button.

SUBTITLE

For DVD disc, press this button to select subtitle language.

RESET

Press this button to restore the default settings. User need to press POWER button to restart the unit after reset.

ANGLE

Press this button to select different visual angles if stored on the DVD disc.

Slow

When read DVD disc or VCD disc Press the SLOW button to activate slow motion playback.

Program

When playing VCD disc or CD disc or Mp3 disc, press Program button enter program status,press the number buttons to enter the track number you want to playback, If you want to exit, press the PROGRAM button again.

NOTE: You must press stop at first the press PROG to turn on programma function

DVD SETUP MENU

SETUP MENU OPERATION

Press the [SETUP] button of remote control to enter the DVD SETUP Menu.

Press the [<] / [>] buttons to switch the main menus as following:

SYSTEM – LANGUAGE – AUDIO – VIDEO – SPEAKER – DIGITAL

Press the [^] / [v] buttons to enter the submenus from main menus.

Press the [^] button on the top submenu or press the [v] button on the bottom of submenu to exit the submenus to main menus.

Press the [^] / [v] buttons to select the submenus as your need.

Press the [>] or [ENTER] buttons to enter the items of submenus.

Press the [<] button to exit the items of submenus.

Press the [v] / [^] buttons to select the item you want to change.

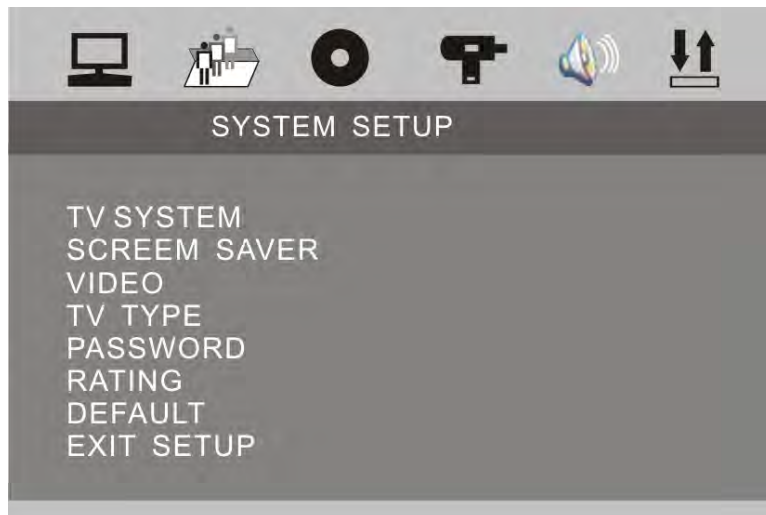
Press the [ENTER] button to confirm the item you have selected and exit to the submenus.

Press the [SETUP] button of remote control or press the [ENTER] button on the submenu EXIT SETUP to exit the DVD SETUP Menu and save all settings.

NOTE

Effective only DVD, SD & USB Mode.

SYSTEM SETUP



TV SYSTEM

Following options are available for the TV Display:

NTSC PAL 60 PAL AUTO

SCREEN SAVER

Select ON or OFF.

VIDEO

Following options are available for the TV Display:

INTERLACE-YUV TV-RGB P-SCAN YPBPR S-VIDEO

TV TYPE

Following options are available for the TV Display:

4 : 3 PS 4 : 3 LB 16 : 9

PASSWORD

Setup the password for Parental Ratings change. The default password is 0000.

RATING

Following options are available for the Parental Ratings:

1 KID SAFE 2 G 3 PG 4 PG 13
5 PG - R 6 R 7 NC - 17 8 ADULT

The Parental Ratings could be changed after the correct password input.

DEFAULT

The unit will restore all default settings by selecting this option.

LANGUAGE SETUP



OSD LANGUAGE

Following options are available for the OSD LANGUAGE:

ENGLISH GERMAN SPANISH FRENCH PORTUGUESE
ITALIAN RUSSIAN DUTCH SWEDISH KOREAN
DANISH NORWEGIAN POLISH HUNGARIAN

AUDIO LANGUAGE

Following options are available for the AUDIO LANGUAGE:

ENGLISH GERMAN SPANISH FRENCH PORTUGUESE
ITALIAN RUSSIAN DUTCH SWEDISH KOREAN
DANISH NORWEGIAN POLISH HUNGARIAN

SUBTITLE LANGUAGE

Following options are available for the SUBTITLE LANGUAGE:

ENGLISH GERMAN SPANISH FRENCH PORTUGUESE
ITALIAN RUSSIAN DUTCH SWEDISH KOREAN
DANISH NORWEGIAN POLISH HUNGARIAN

MENU LANGUAGE

Following options are available for the MENU LANGUAGE:

ENGLISH	GERMAN	SPANISH	FRENCH	PORTUGUESE
ITALIAN	RUSSIAN	DUTCH	SWEDISH	KOREAN
DANISH	NORWEGIAN	POLISH	HUNGARIAN	

DIVX LANGUAGE

Following options are available for the DIVX LANGUAGE:

CENTRAL	EU
WESTERN	EU
KOREAN	

AUDIO SETUP



AUDIO OUT

Following options are available for the AUDIO OUT:

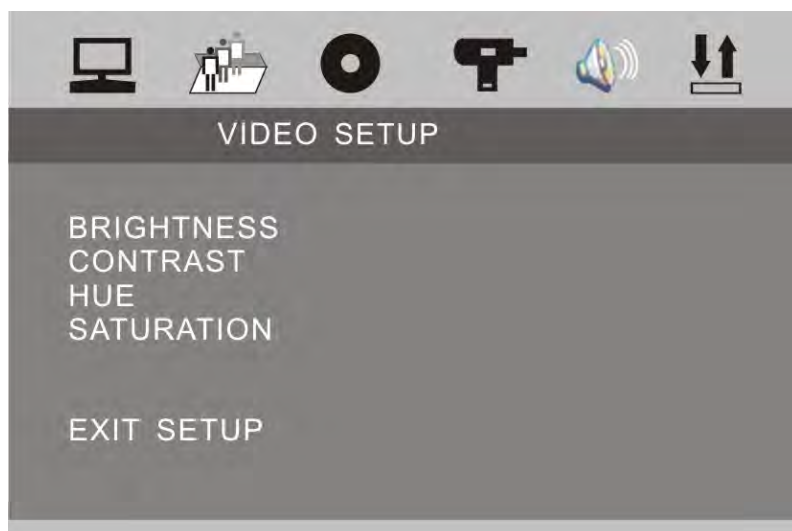
SPDIF / OFF	SPDIF / RAW	SPDIF / PCM
-------------	-------------	-------------

KEY

Following options are available for the KEY:

b -4 -2 0 +2 +4 #

VIDEO SETUP



BRIGHTNESS

Following options are available for the BRIGHTNESS:

0 2 4 6 8 10 12

CONTRAST

Following options are available for the CONTRAST:

0 2 4 6 8 10 12

HUE

Following options are available for the HUE:

-6 -4 -2 0 +2 +4 +6

SATURATION

Following options are available for the SATURATION:

0 2 4 6 8 10 12

SPEAKER SETUP



DOWNMIX

Following options are available for the DOWNMIX:

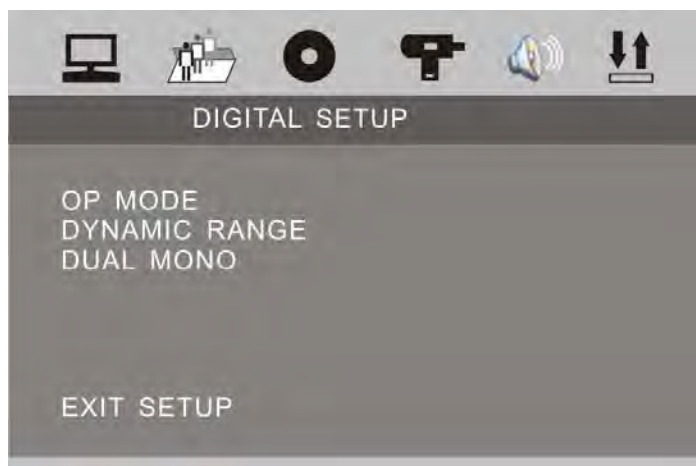
LT / RT Stereo VSS

BASS MODE

Following options are available for the BASS MODE:

ALL LG SPK ALL SM SPK MIXED SPK

DIGITAL SETUP



OP MODE

Following options are available for the OP MODE:

LINE OUT RF REMOD

DYNAMIC RANGE

Following options are available for the DYNAMIC RANGE:

FULL 6 / 8 4 / 8 2 / 8 OFF

DUAL MONO

Following options are available for the DUAL MONO:

STEREO MONO L MONO R MIX MONO

SPECIFICATIONS

Supply voltage	: 12V DC (10.8V-16V), negative ground
Current consumption	: Less than 900mA
Signal system	: Composite video 1.0Vp-p 75 Q
Disc compatible	: 1) DVD-VIDEO Disc 5" (12cm) single-sided, single-layer 5" (12cm) :single-sided, double-layer Compact disc (CD-DA) 5" (12cm) disc
Audio output level	: 10kQ(2ch 1.8Vms)
Audio signal output	
Characteristics	:

- 1.Frequency response 20Hz-20KHz
- 2.S/N ratio 80dB (JIS)
- 3.Wow and flutter below measurable limits
- 4.Weight (approx) 1.4kg
- 5.Dimension (approx) 162x187x56(mm)
(W/D/H)
- 6.Mounting (approx) 160x178x50(mm)
(W/D/H)

NOTE:

Specifications and design are subject to change without notice.

REQUIREMENTS

- 1) Do not use and store the loader in dusty, high temperature and high Humidity environments.
- 2) Do ground all equipments and works in order to avoid causing damage to The loader by electrostatic discharges.
- 3) The user who handles this product should take all necessary precautions To avoid ESD (Electro-Static Discharge) failures.
- 4) Do not touch assembled PCB with hand directly, avoid fingerprints or stains Remains on the PCB and handle the loader in a clean environment
- 5) Do not shock loader during handing and manufacturing
- 6) Do not use loader immediately when you bring it from cold to warm place. Great change of temperature may cause moisture condensing on the Pickup lens which influences the readability for certain time. Please make the loader stable at least 2 hours before operating under such a condition.
- 7) Do not disassemble the loader to avoid ESD failures and to prevent from Contamination.

REPLACE THE FUSE

Make sure the amperage match the specified when replacing the fuses. If the fuse is broken, check the power connection and replace a new one. If the same problem occurs, it would be subjected to the malfunction in-house. In such cases, please consult the nearest service dealer.

! A Warning

Never use the fuse with the rated amperage more than that supplied to your unit, otherwise it will damage the unit

TROUBLE SHOOTING

SYMPTOM	CAUSE / SOLUTION
No sound	Cancel the mute function. Adjust the volume.
The memory contents are lost	Disconnect the power wire or battery. Press the reset button.
The disc does not play	The disc might be dirty or damaged.
The disc comes out automatically	The temperature is outside the range of the operating temperature.
The disc can not be inserted	Push the disc while pressing the EJECT button. A disc is loaded in the mechanism. Press the RESET button.
The function buttons do not work	Press the RESET button.
Audio skipping	The disc might be dirty or damaged.
No picture	Open the monitor. Choose the video input on the TV to receive the picture from the unit.
Picture stops (pauses)	The disc might be dirty or damaged. The colour system setup is incorrect. Adjust to PAL or NTSC according to the TV.
Poor radio reception	Antenna may not have the proper length. Be sure the antenna is fully extended and properly connected. If broken replace the antenna with a new one. The antenna is poorly grounded. Check again the antenna connection.

NOTE:

If any problem persists after checking the above list, please consult your nearest service dealer.

Never attempt to disassemble the unit by yourself!