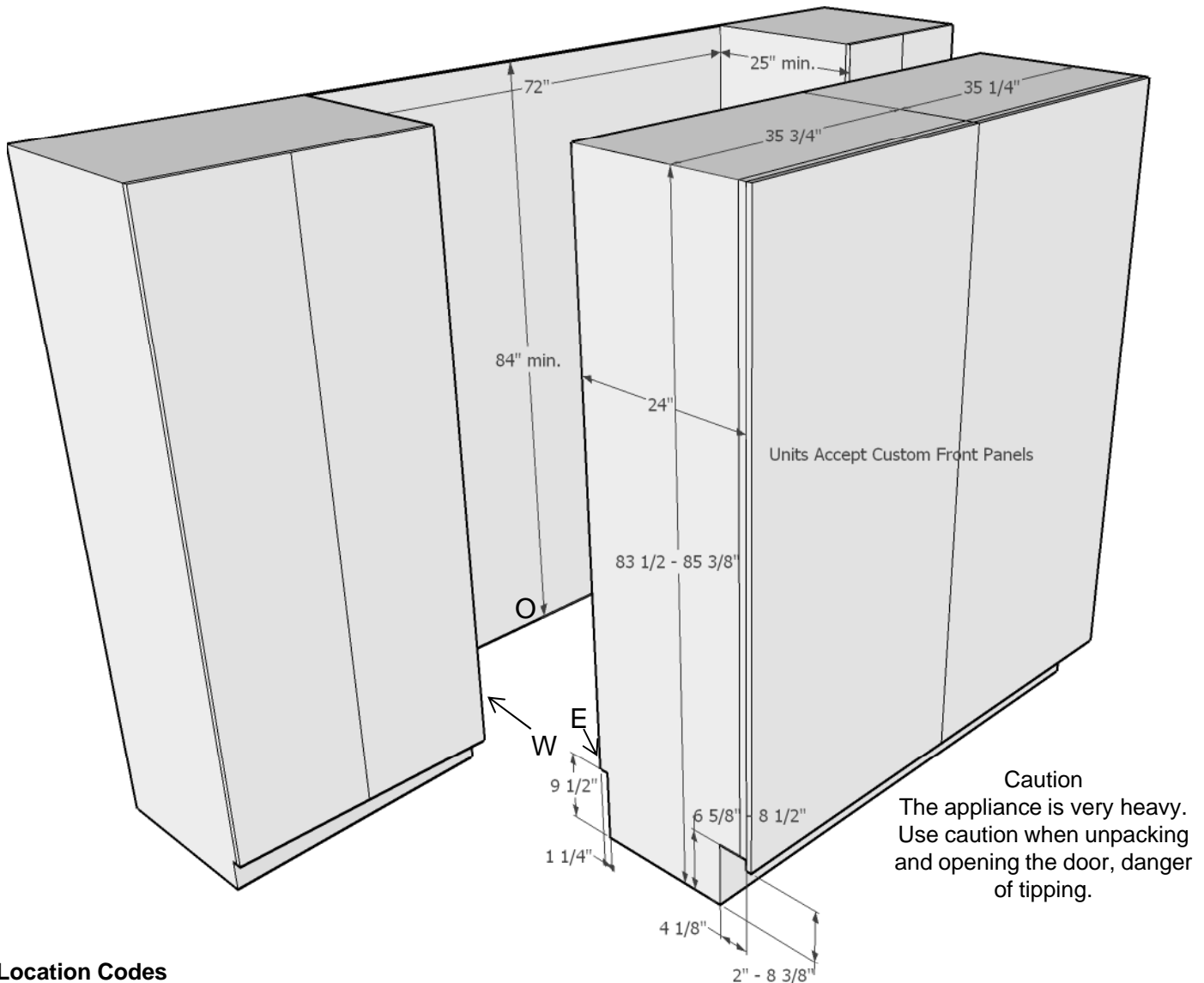


Product and Cut-out Dimensions

Page 1 of 5

F 1911 Vi 36" Freezer (Integrated, left-hinge)

K 1901 Vi 36" Refrigerator (Integrated, right-hinge)



Location Codes

E- 5 foot – 120 Volt – 15 A 3-wire molded plug power supply connects lower left rear.

O- Standard NEMA 5-15 Outlet – locate less than 9" above finished floor

W- 1/4" flexible water line – tape to floor (F1911Vi only)

Notes

Merging kit 38996010USA KSK1002 Side-by-side kit must be used when combining units. (Please review the manual)

RemoteVision Module needs to be installed prior to install.

All installations must be done in accordance with local codes.

Sides of adjoining cabinets should be filled (flush to frame) to insure proper fit and finish.

Drawing is not to scale

Specification Sheets OJS 11112011

Product and Cut-out Dimensions

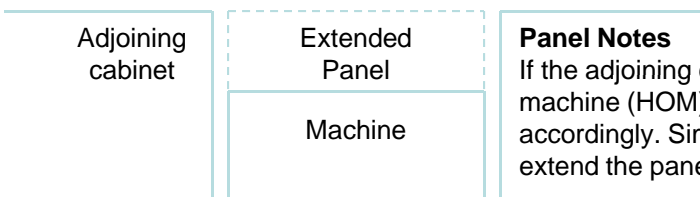
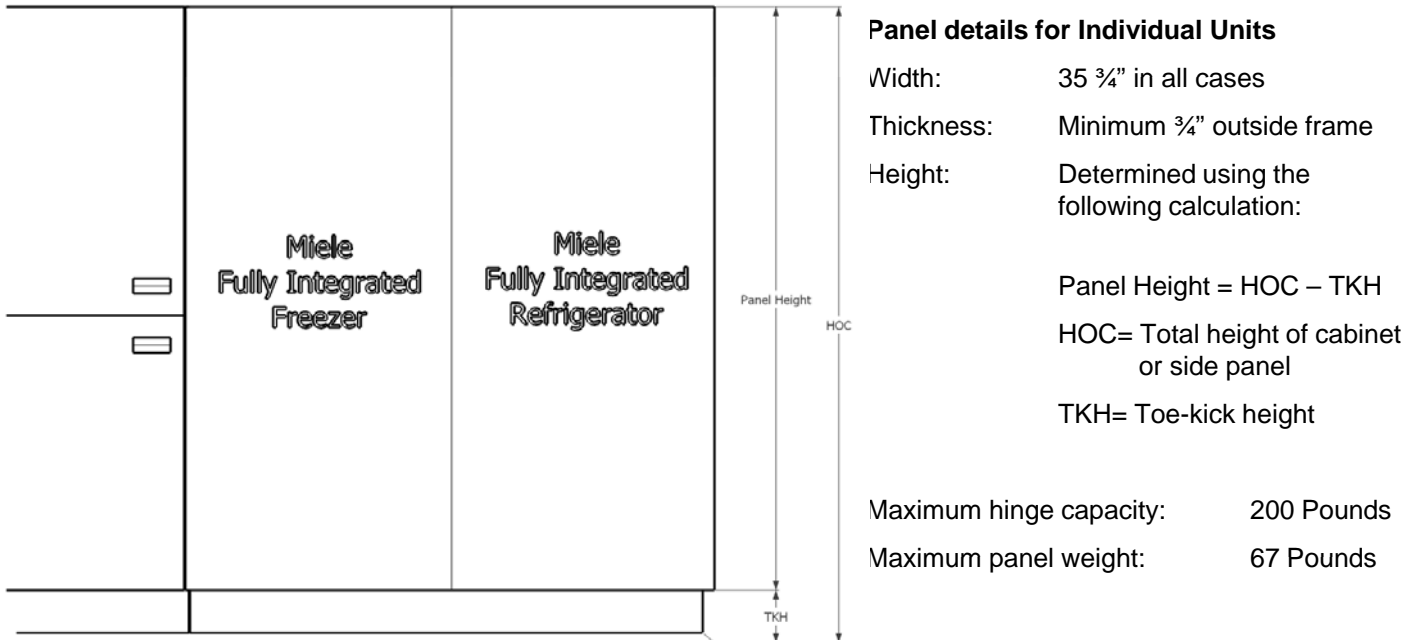
F 1911 Vi 36" Freezer (Integrated, left-hinge)

K 1901 Vi 36" Refrigerator (Integrated, right-hinge)

Custom Panel Installations

These units do not come equipped with a front panel. They are designed to accept a custom door panel supplied by the cabinet maker. Miele has a unique panel integration system which allows the panels to align with the surrounding cabinets. (See installation section of the manual)

Panel size is determined in the following manner **per individual unit**:



Notes

Merging kit 38996010USA KSK1002 Side-by-side kit must be used when combining units. (Please review the manual)

Front panel gap kit 38996050USA used to join two custom panels on one unit.

RemoteVision Module needs to be installed prior to install.

All installations must be done in accordance with local codes.

Drawing is not to scale

Product and Cut-out Dimensions

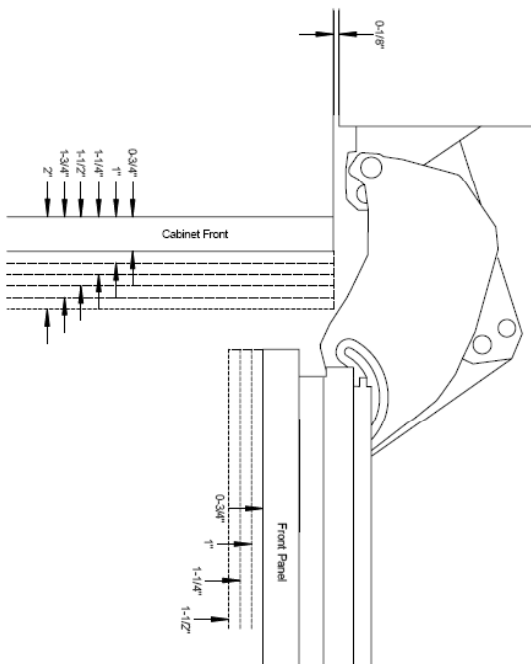
F 1911 Vi 36" Freezer (Integrated, left-hinge)

K 1901 Vi 36" Refrigerator (Integrated, right-hinge)

Door hinge cabinet front and door panel thickness dimensions, stop pinned at 90° (refrigeration only) and fully opened at 115°.

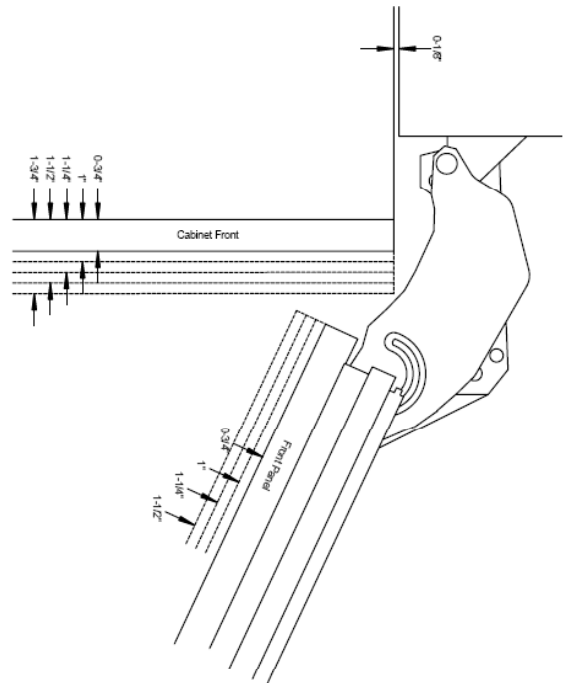
90° Door Refrigeration only.

Thickness options



115° Door

Thickness options



Greater door swing lower cabinet front thickness

Notes

The dimensions of the door fronts and handles will vary according to each individual kitchen.

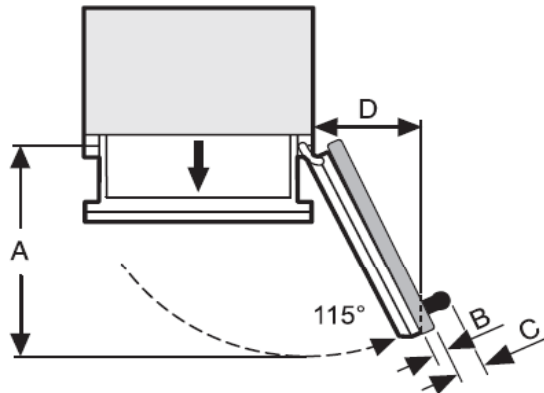
Drawing is not to scale

Product and Cut-out Dimensions

F 1911 Vi 36" Freezer (Integrated, left-hinge)

K 1901 Vi 36" Refrigerator (Integrated, right-hinge)

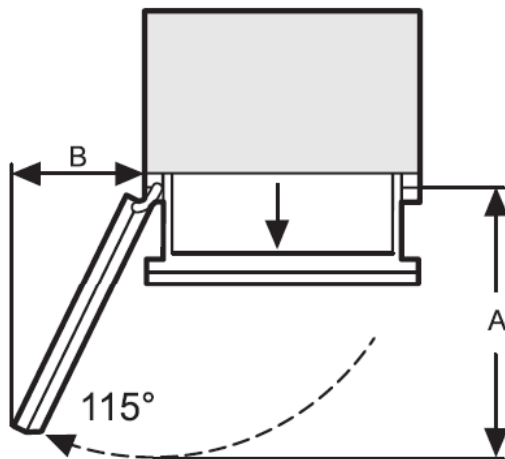
Door dimensions (open min. 115°C)



*The dimensions of the door fronts and handles will vary according to each individual kitchen.

	A	B	C	D
K 19X1 Vi	38 11/16" (982 mm)	Door front max. 1 1/2" (38 mm)	Door handle*	16 7/8" (428 mm)

Door dimensions (open 115°)



	A	B
F 19X1 Vi	38 11/16" (982 mm)	16 7/8" (428 mm)

Notes

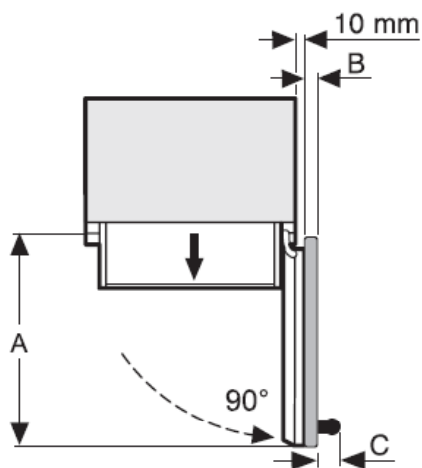
All installations must be done in accordance with local codes.

Drawing is not to scale

Product and Cut-out Dimensions
 K 1901 Vi 36" Refrigerator (Integrated, right-hinge)

90° Door pin to be used only with refrigerator when necessary

Door dimensions (open min. 90°)



*The dimensions of the door fronts and handles will vary according to each individual kitchen.

$\frac{3}{8}$ " (10 mm)

	A	B	C
K 19X1 Vi	38 $\frac{11}{16}$ " (982 mm)	Door front max. 1 $\frac{1}{2}$ " (38 mm)	Door handle*

Notes

All installations must be done in accordance with local codes.

Drawing is not to scale