



Installation Manual

Elo Touch Solutions

Wallmounting Kit for the 7001L

IDS Touchmonitors

SW602083 Rev E

Table of Contents

- Chapter 1: Safety Warning 3
- Chapter 2: Kit Contents 4
 - Included in Kit..... 4
- Chapter 3: Installation..... 8
 - Installation Overview 9
 - Attach touchmonitor brackets to back of touchmonitor..... 10
 - Assemble the upper wall bracket..... 11
 - Install bracket on walls with studs measuring 16" or 24" on center..... 12
 - Install brackets on solid walls..... 14
 - Install the touchmonitor on to the wall bracket 16
- Chapter 4: Removal and Service..... 19
 - To connect/disconnect cables or remove the touchmonitor from the wall mount..... 19
- Chapter 5: Technical Support 20
 - Technical Assistance 20
 - Agency Certifications 20
 - Getting in Touch with Us..... 21

Chapter 1: Safety Warning

Do not install this equipment on any wall or structure that is not capable of supporting 4 times the weight of the touchmonitor, brackets, and any accessories attached to it. The 7001L touchmonitor weighs in excess of 149 lbs with the optional Elo computer module.
 $149 \text{ lbs} \times 4 = 596 \text{ lbs (246kg)}$.

Do not leave out any required parts or leave the touchmonitor on the wall unattended without securely fastening all brackets and screws as instructed in this document.

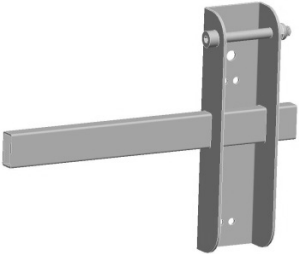

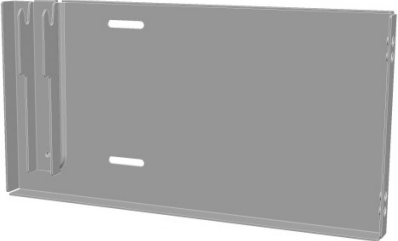
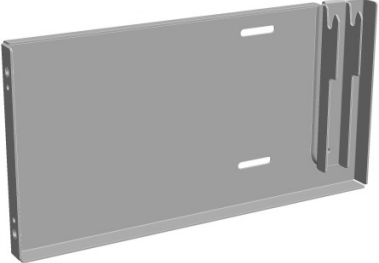
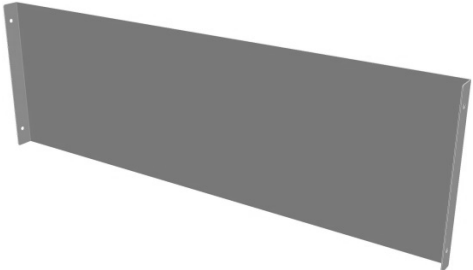
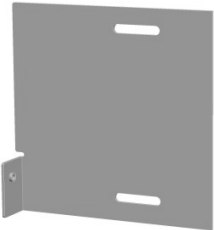
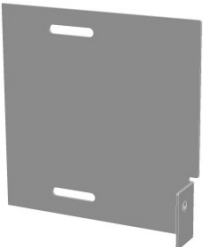
Failure to follow all installation instructions can result in an unsafe installation. Serious injury or death can occur if the touchmonitor unexpectedly falls on someone.



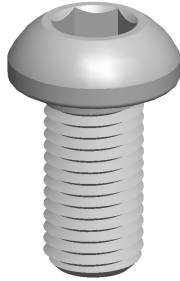
CAUTION: This wall mount is intended for use only with the maximum weights indicated. Use with heavier than the maximum weights indicated may result in instability causing possible injury or equivalent.

Chapter 2: Kit Contents

Included in Kit

<p>2x, Upper touchmonitor brackets (with handle)</p> 	<p>2x, Lower touchmonitor brackets (with service support bracket)</p> 	
<p>1x, Upper-left wall bracket</p> 	<p>1x, Upper-right wall bracket</p> 	
<p>1x, Upper spacer bracket (only used for landscape orientation)</p> 	<p>1x, Lower-left wall bracket</p> 	<p>1x, Lower-right wall bracket</p> 

2x, M8x14 Allen Head Cap Screws with Nylock
Class 10.9



2x, M8 washers
Grade 2



10x, M5x12 Allen Head Cap Screws with Nylock
Class 12.9



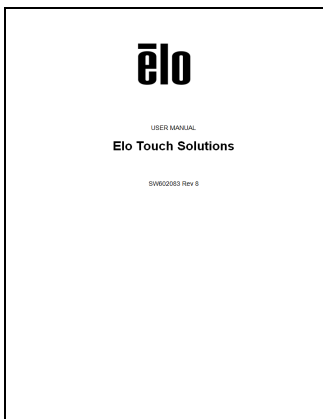
10x, M5 washers
Grade 2



4x, M5x5 Philips head screws
Class 8.8

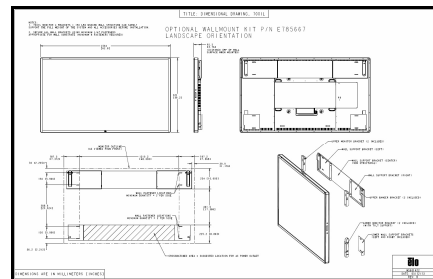


1 Printed installation guide



Dimensional drawing for mounting in landscape and portrait orientation.

Also available within drawing MS601422 available at www.elotouch.com

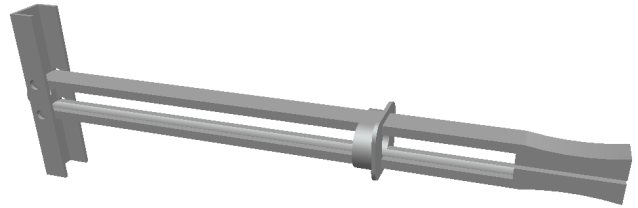


For metal stud walls 16" on center (Max drywall thickness = 5/8")

Heavy Duty Toggle anchor

Quantity = 8

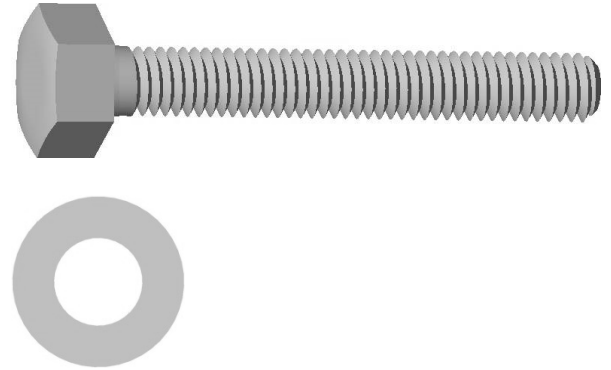
Additional anchors available (Toggler P/N 25014)



1/4-20 x 2-1/2" hex head steel machine screws,
grade 5

1/4" steel washers, grade 2

Quantity = 8 each



For solid masonry walls (brick or concrete)

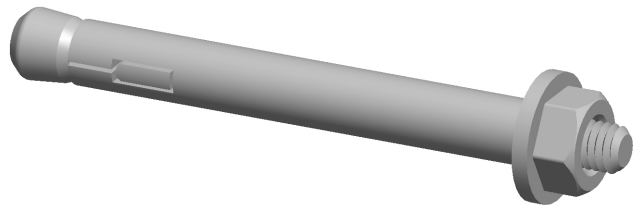
5/16" (or 8mm) concrete sleeve anchors

Quantity = 8

Fastener thread type = 1/4-20

Minimum anchor length = 2-1/2" (70mm)

Minimum pullout strength rating = 1500 lbs.



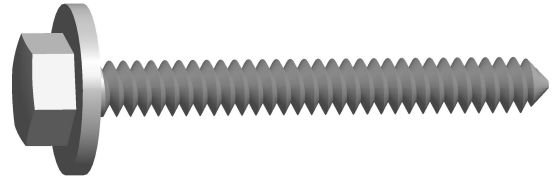
For solid wood or plywood

1/4" hex head steel wood screws,

Screw material = zinc coated steel, grade 5

Screw length = 1-1/2"

Quantity = 8



Tools required (not included)

Power drill

3/16" drill bit for wood (for installation on wood structured walls walls)

5/16" drill bit for masonry (for installation on masonry walls)

1/2" drill bit for metal (for installation on metal stud walls)

3mm allen wrench (required only for mounting in portrait orientation)

6mm allen wrench

4mm allen wrench

Philips head screw driver

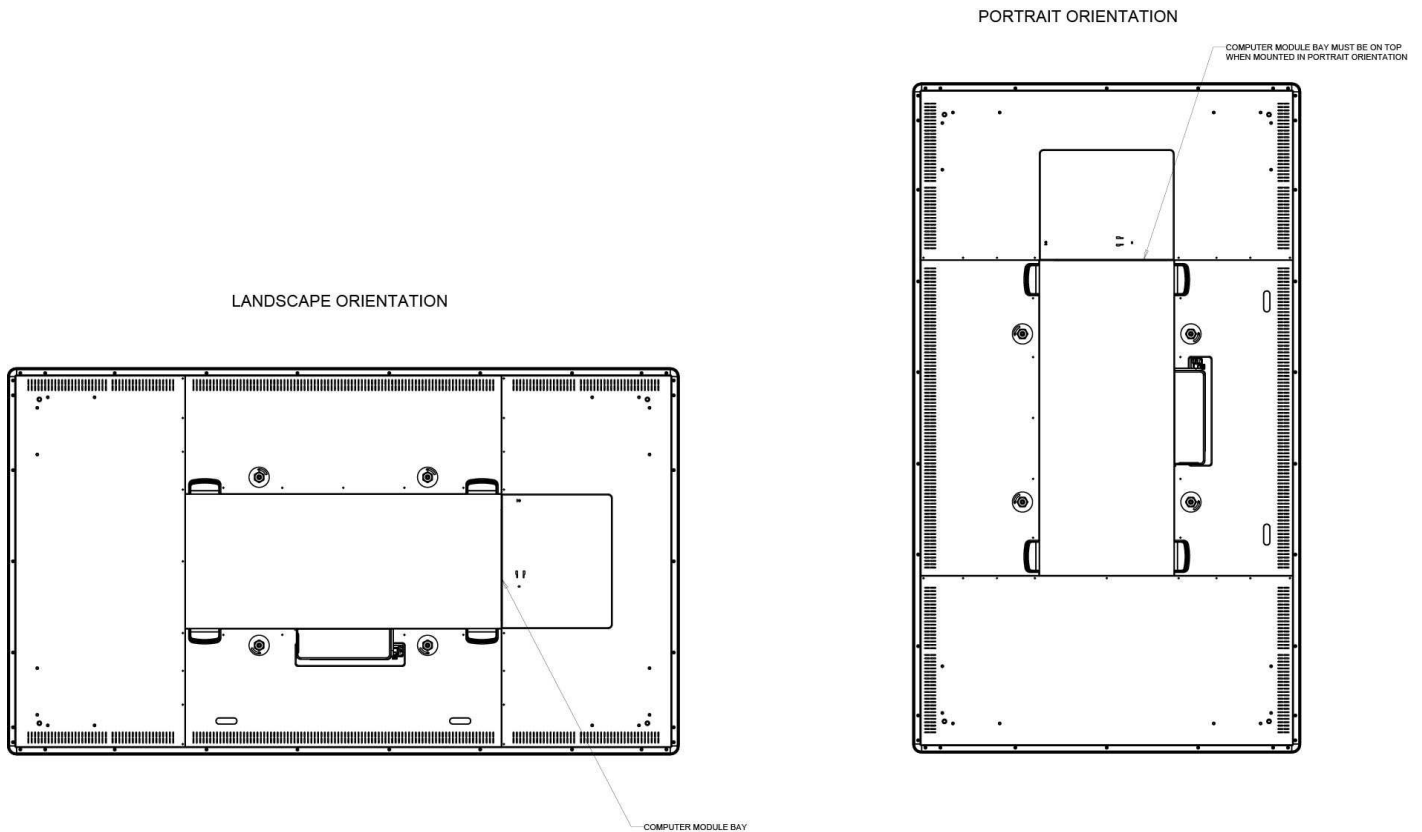
Hammer (for concrete sleeve anchors)

Stud finder and construction level

Chapter 3: Installation

This wall mount bracket can be used to attach an Elo ET7001L IDS touchmonitor to a wall in either landscape or portrait orientation.

Determine the location and orientation to mount the touchmonitor using dimensional drawing P/N MS601422 available online from www.elotouch.com. With this kit, the touchmonitor can ONLY be mounted in landscape or portrait orientation and **MUST NOT** be mounted at an angle or tilted forward/backward.

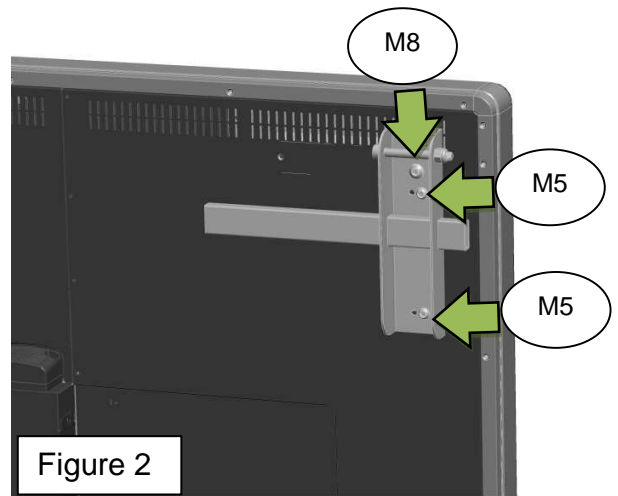
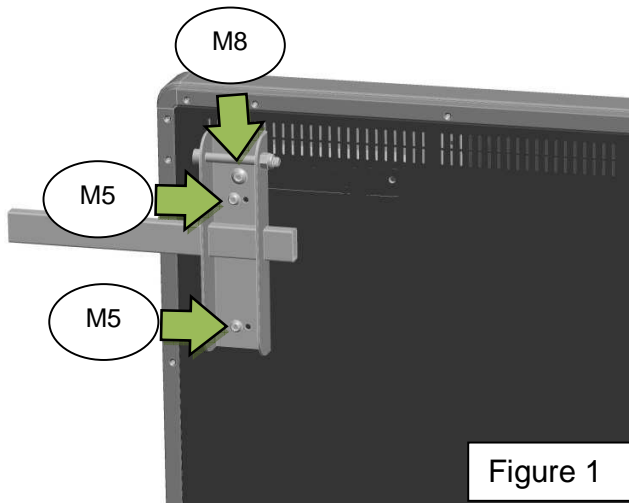


Installation Overview

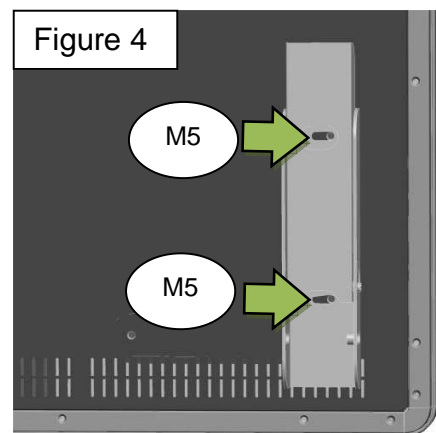
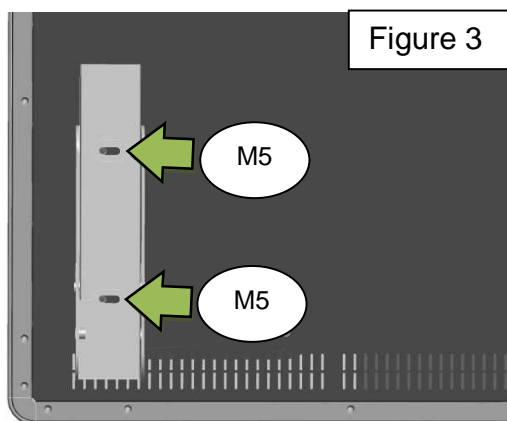
1. Attach touchmonitor brackets to back of touchmonitor
2. Assemble upper wall bracket
 - 2.1. Landscape orientation
 - 2.2. Portrait orientation
3. Install wall brackets on wall
4. Install touchmonitor on wall bracket
5. Check and adjust touchmonitor flatness to ensure optimal touch performance

Attach touchmonitor brackets to back of touchmonitor

1. Loosely install one M8 allen head screw and washer through one of the upper touchmonitor brackets and into the back of the touchmonitor. See Figure 1.
2. Install two M5 allen head screws with washers through the bracket and into the back of the touchmonitor. Make sure the bracket is straight before tightening the screws because there are extra holes in the back of the touchmonitor that can make the bracket not line up properly. See Figure 1.
3. Tighten the M8 screw from step 1.



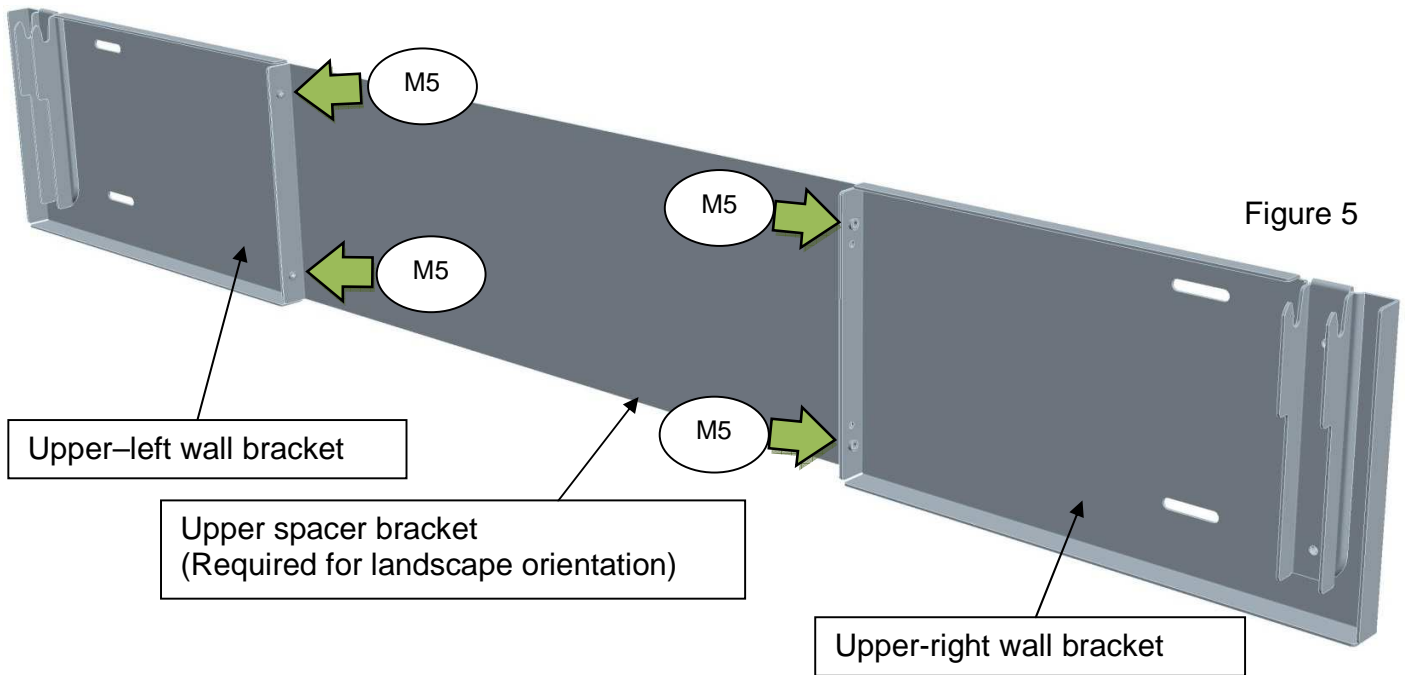
4. Repeat this procedure for the other top side handle bracket. See Figure 2.
5. Place one of the lower touchmonitor brackets over the two M5 screw holes on the bottom of the touchmonitor and install one M5 allen head screw with washer through the bracket into the touchmonitor. Approximately center the screw in the slot on the bracket and tighten the screws only slightly so the bracket can be adjusted later during touchmonitor installation. See Figure 3.



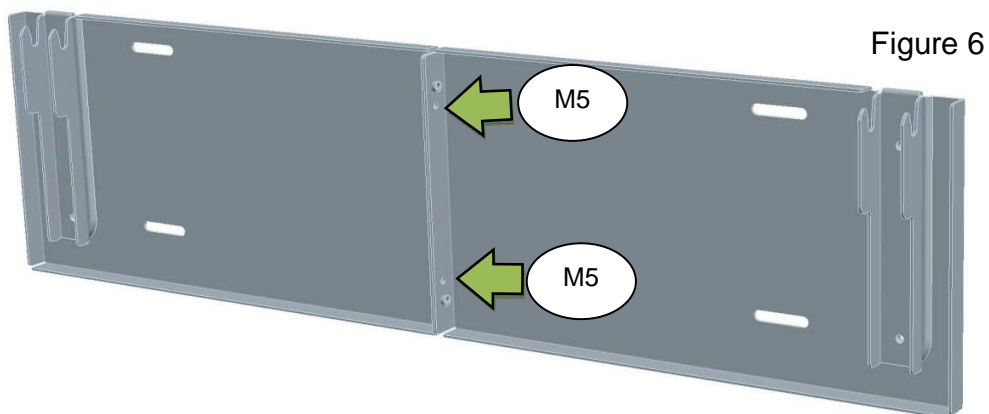
6. Repeat this procedure for the other bottom side bracket. See Figure 4.

Assemble the upper wall bracket

1. **For landscape orientation**, fasten the upper-left wall bracket to the upper spacer bracket using two of the philips head M5 screws included in the kit. Fasten the upper-right wall bracket to the other side of the upper spacer bracket using the other two philips head M5 screws included with the kit.

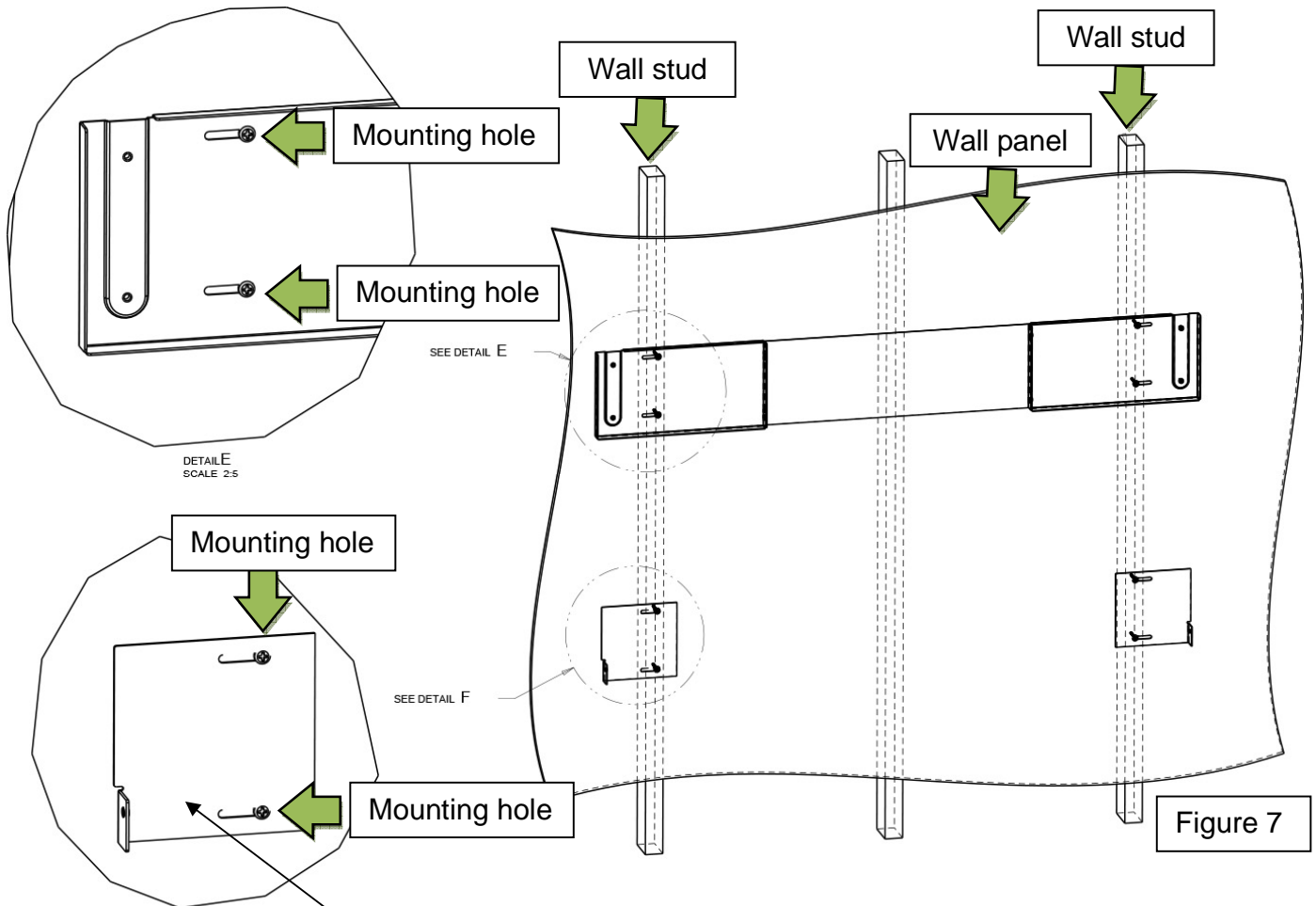


2. **For portrait orientation**, fasten the upper-left and upper-right wall brackets to each other using two M5 philips head screws included with the kit. The upper spacer bracket is not used for portrait orientation and can be discarded.



Install bracket on walls with studs measuring 16” or 24” on center

1. Use a stud finder to locate studs. **The bracket must be mounted to at least two studs using two screws in each stud.** Max drywall thickness = 5/8”. Do not attempt to secure the bracket directly to drywall or to anything else that cannot safely support four times the weight of the touch-monitor.



These brackets are **REQUIRED** to ensure the monitor does not detach from the upper brackets during an earthquake or other inadvertent/accidental movement of the monitor. They must be installed!

2. Mark the mounting hole locations on the wall per Elo dimensional drawing #MS601422 (included with kit) ensuring the locations are in the center of the stud. Check to be sure there are no objects behind the holes (electrical wires or pipes) that could be damaged by wall-mount screws.
3. Have a helper hold the upper wall bracket assembly against the wall to ensure the hole locations marked in step 2 line up correctly with the mounting screw slots in the upper wall bracket assembly. Use a carpenter's level to confirm the bracket is level. Remove the bracket from the wall.

4. Drill one 1/8" (4mm) pilot hole through the drywall and into the studs at each marked location (8 locations total). Then enlarge the pilot hole and install screws and anchors per the recommendations below:

For wood studs only:

- 4.1. Enlarge the pilot holes to 3/16". Ensure the pilot holes are at least 2-1/2" deep.
- 4.2. Place upper wallmount bracket assembly against wall and install one 1/4" wood screw and washer into each hole (4 total). Check and adjust for level before tightening screws.
- 4.3. Attach the lower left and right brackets using the same procedure. NOTE: The lower brackets are required safety feature of this wall-mount system. Do not leave the touchmonitor unattended without them being installed. See figure 7 for illustration.

For steel studs only:

- 4.1. Enlarge the hole to 1/2". (Do not enlarge the drywall or stud hole to any more than 1/2")
- 4.2. Install the heavy duty toggle anchor by holding the metal channel flat alongside the plastic straps and slide the channel through the drilled hole.
- 4.3. Hold ends of strap between thumb and forefinger and pull toward you until channel rests flush behind wall. Slide plastic cap along straps with other hand until flange of cap is flush with wall.
- 4.4. Place thumb between straps at wall. Push thumb side to side, snapping off straps level with flange of cap.
- 4.5. Place upper wallmount bracket assembly against wall and install one 1/4-20 hex head machine screw and washer into each anchor (4 total). Check and adjust for level before tightening screws.
- 4.6. Attach the lower left and right brackets using the same procedure. NOTE: The lower brackets are a required safety feature of this wall-mount system. Do not leave the touchmonitor unattended without installing them. See figure 7 for illustration.

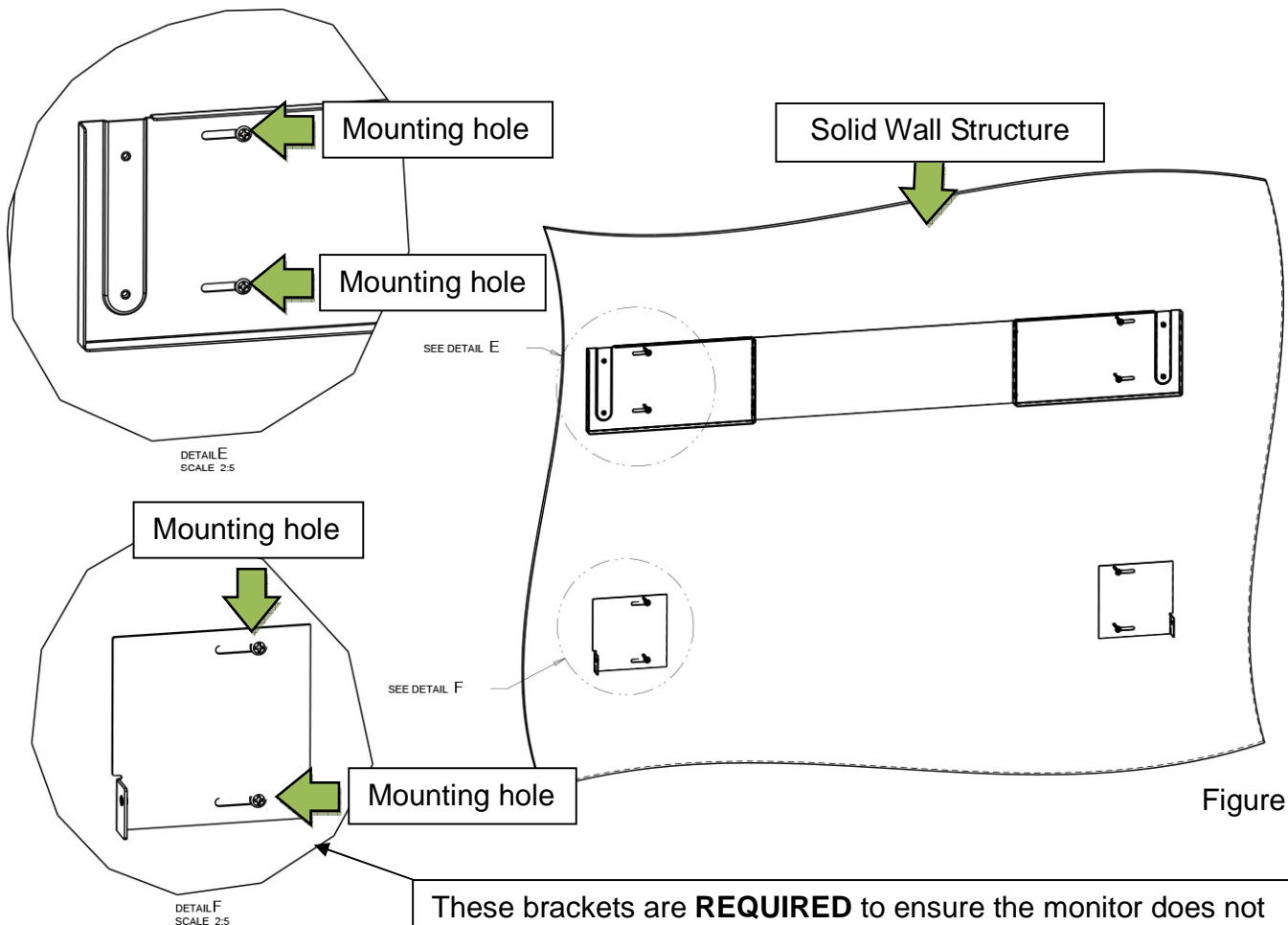
Safety warning: Mounting screws in the center spacer bracket are unnecessary and will not support the weight of the touchmonitor by itself. Holes may be drilled in the center spacer bracket up to maximum 2" diameter for cables to pass through but do not remove the bracket from the assembly. It is a required part of the wall-mount system when mounting a touchmonitor in landscape orientation.

Install brackets on solid walls

(Brick, concrete, wood, or stud walls with studs NOT 16" or 24" on center)

Safety Note: DO NOT INSTALL THE WALL BRACKET DIRECTLY TO DRYWALL. For walls with studs spaced other than 16" or 24" on center, wood blocking or other structural reinforcement **MUST** be installed behind the drywall according to applicable building code guidelines so that it can support four times the weight of the touchmonitor.

1. Using Elo dimensional drawing #MS601422 (included with kit), mark the mounting hole locations on the wall (8 total) ensuring the locations are over studs or other structural reinforcement. Check to be sure there are no objects behind the holes (electrical wires or pipes) that could be damaged by the wall-mount screws.
2. Have a helper hold the upper wall bracket assembly against the wall to ensure the hole locations marked in step 1 line up correctly with the mounting screw slots on the upper wall bracket assembly and use a carpenter's level to confirm the bracket is level. Remove the bracket from the wall.



3. For solid wood wall structures only:

- 3.1. Drill one 3/16" (5mm) pilot hole into the wall structure in each of the marked hole locations. Holes must be at least 2-1/2".
- 3.2. Attach the upper bracket assembly to the wall with one 1/4" hex head wood screw and washer through each slotted hole on the upper bracket assembly (4 screws total).
- 3.3. Attach the lower left and right brackets using the same procedure. NOTE: The lower brackets are required safety feature of this wall-mount system. Do not leave the touchmonitor unattended without them being installed. See figure 8 for illustration.

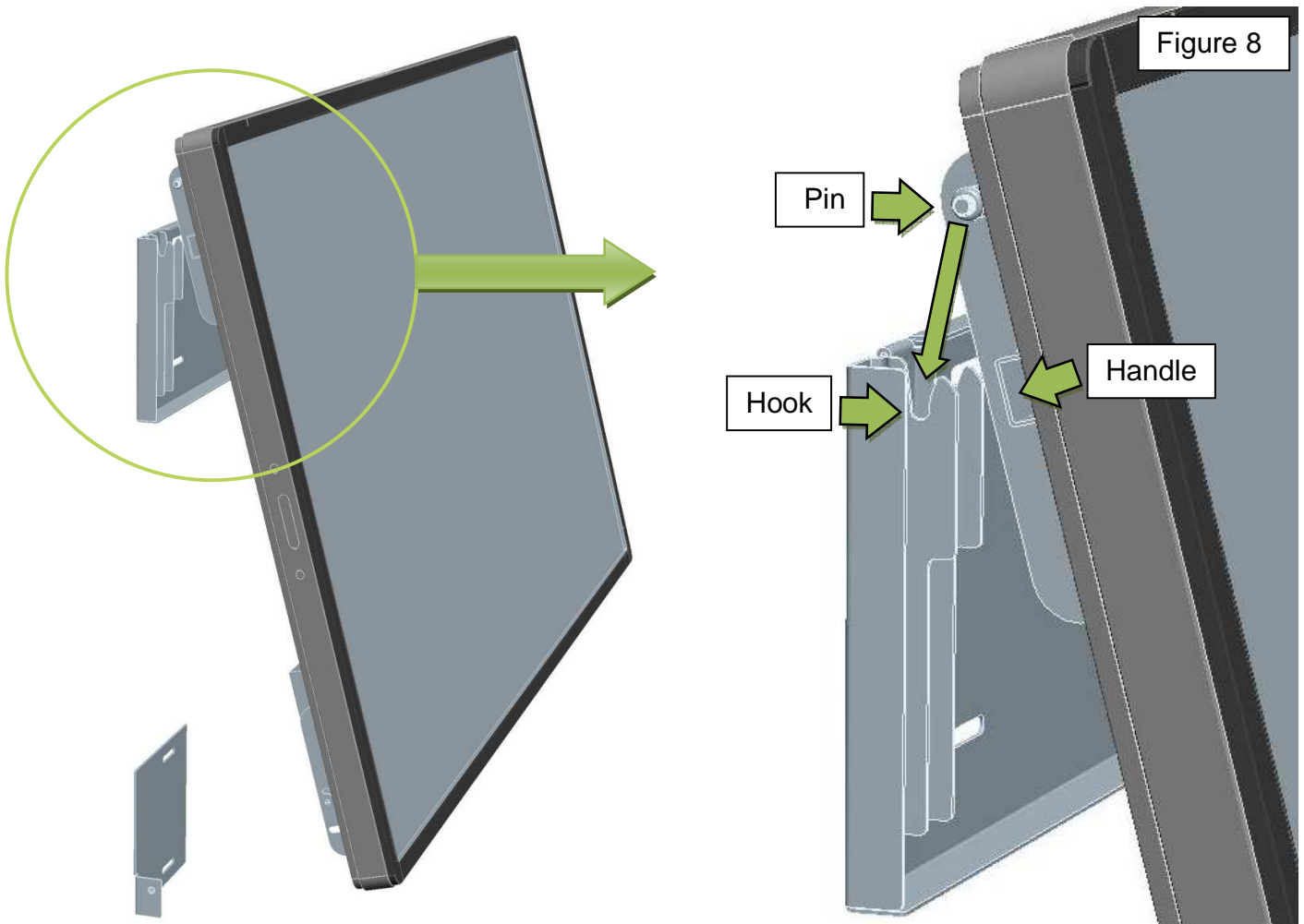
4. For brick or concrete wall structures only:

- 4.1. Drill one 5/16" (6mm) hole into the wall structure using a solid carbide tipped masonry bit in each of the marked hole locations. The holes must be at least 2-1/2" (64mm) deep. Do not ream the hole or allow the bit to wobble. Through drilling is allowed when using hollow block or brick.
- 4.2. Clean each hole with dry oil-free compressed air or a nylon brush.
- 4.3. Assemble the washers and nuts on the concrete sleeve anchors so the anchor extends above the nut slightly.
- 4.4. Place the upper bracket assembly against the wall and insert one concrete sleeve anchor through the bracket and into each hole in the wall (4 total). Use a hammer to ensure the anchor is seated completely.
- 4.5. Check the bracket for level and tighten the nut on each anchor 3 to 5 turns past hand tight or 10-15 ft-lbs.
- 4.6. Attach the lower left and right brackets using the same procedure. NOTE: The lower brackets are a required safety feature of this wall-mount system. Do not leave the touchmonitor unattended without installing them. See figure 8 for illustration.

Safety warning: Mounting screws in the center spacer bracket are unnecessary and will not support the weight of the touchmonitor by itself. Holes may be drilled in the center spacer bracket up to maximum 2" diameter for cables to pass through but do not remove the bracket from the assembly. It is a required part of the wall-mount system when mounting a touchmonitor in landscape orientation.

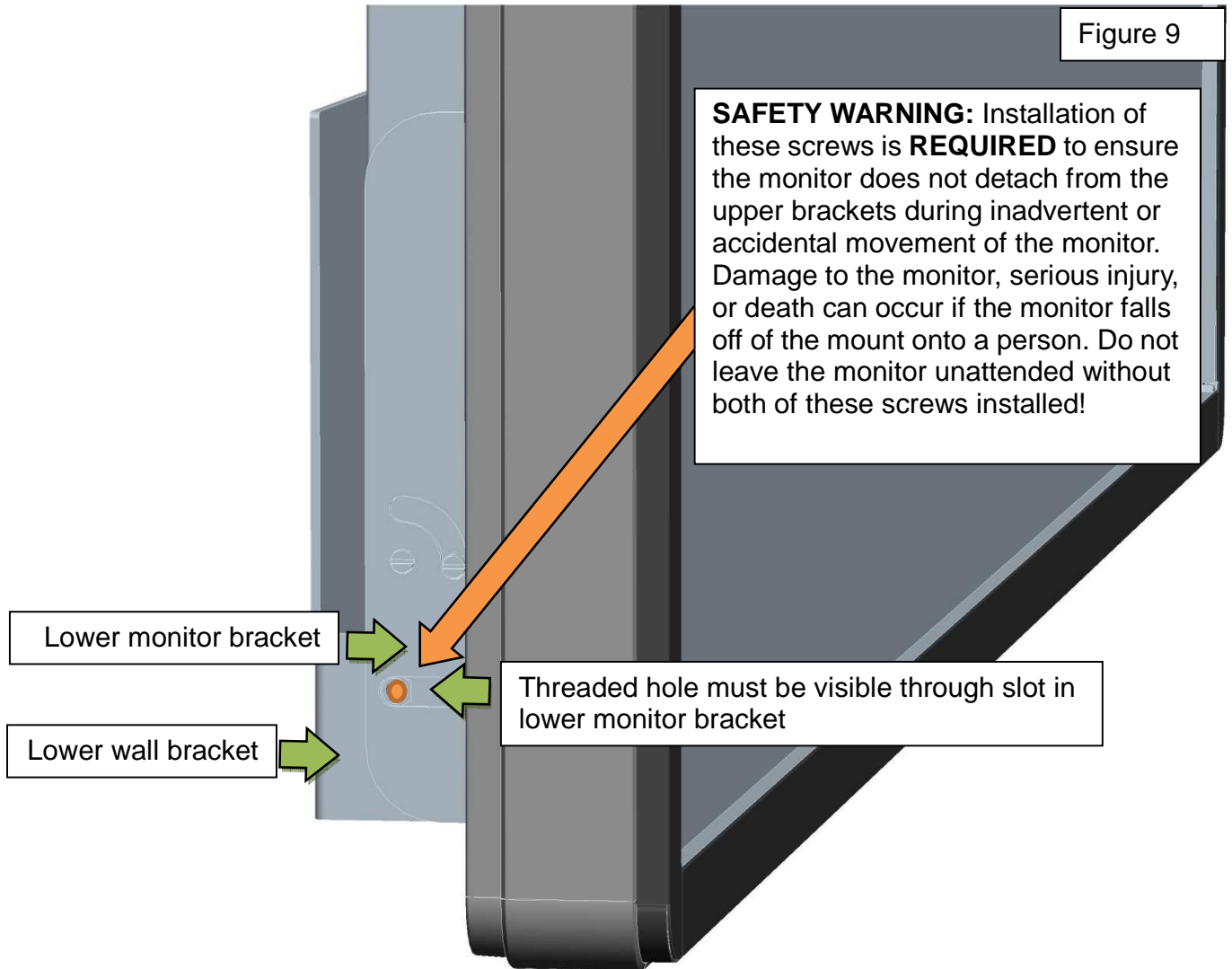
Install the touchmonitor on to the wall bracket

1. Use a lift to raise the touchmonitor up and engage the pins on the back of the touchmonitor with the hooks on the wall mount bracket. Tilting the bottom of the touchmonitor out slightly helps make this easier. Additionally, extending handles are integrated with the upper touchmonitor brackets that can make lifting and positioning the touchmonitor easier. The handles can be hidden behind the touchmonitor while mounted on the wall.

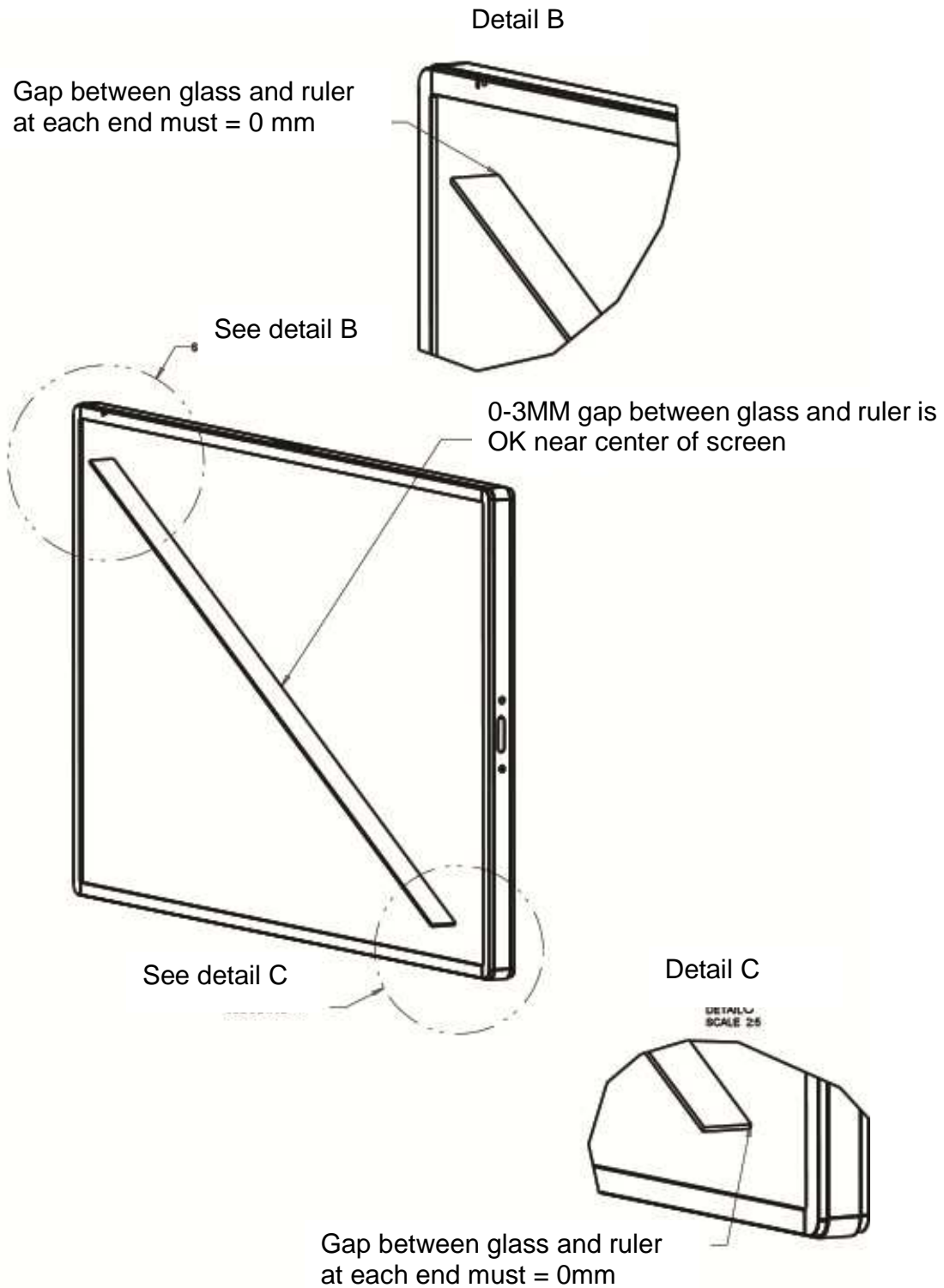


2. Lower the touchmonitor carefully so the M5 screw hole on the lower wall bracket is visible through the slot in the lower touchmonitor bracket. Adjust the position of the lower touchmonitor brackets if needed. Repeat for other side.

3. Install one M5 allen head screw **with washer** through the slot in one touchmonitor bracket and into the wall bracket to secure the touchmonitor to the wall. Repeat for other side.



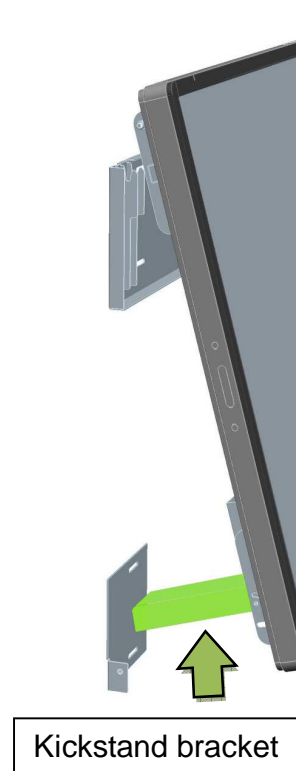
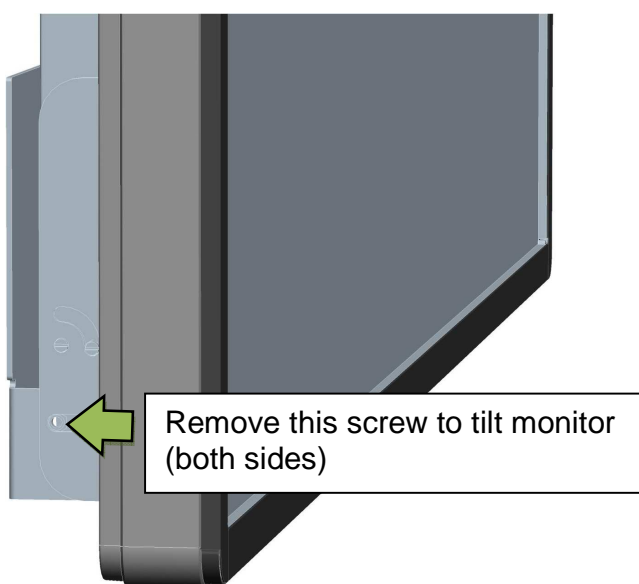
4. Check the touchmonitor screen flatness using a ~1.5 meter long ruler placed diagonally across the screen in both directions. If the gap between the ruler and the screen does not meet the requirements below, loosen the lower M5 mounting screws and adjust the lower corners of the touchmonitor in or out to flatten the screen before re-tightening the lower M5 mounting screws.



Chapter 4: Removal and Service

To connect/disconnect cables or remove the touchmonitor from the wall mount

1. Remove the two screws on the lower brackets.
2. Slowly tilt the bottom of the touchmonitor outward until the kickstand brackets drop down against the lower wall bracket. **Do not lift upward or the touchmonitor may detach from the upper bracket!**
3. Allow the touchmonitor to rotate back toward the wall until it is supported by the kickstand brackets. Connect or disconnect cables as needed.
4. To remove the touchmonitor from the wall, disconnect all cables and then lift the touchmonitor upward off the top bracket and away from the wall. Skip step 4-5.
5. After cables are reinstalled, pull the bottom edge of the touchmonitor away from the wall and then rotate both kickstand brackets up against the back of the monitor. Lower the monitor back against the wall.
6. Reinstall the screws on the lower brackets.



Chapter 5: Technical Support

Technical Assistance

Visit www.elotouch.com/products for technical specifications for this device

Visit www.elotouch.com/go/websupport for online self-help.

Visit www.elotouch.com/go/contactsupport for technical support.

For all technical question and inquiries, please contact Elo Touch Solutions. Worldwide technical support phone numbers are available on the last page of this use manual.

Agency Certifications

Check the latest version of this document on the Elo website for all agency approval status

Check out our website

www.elotouch.com

Get the latest...

- Product Information
- Specifications
- Upcoming events
- Press releases
- Software drivers

Getting in Touch with Us

To find out more about the extensive range of Elo touch solutions, visit our website at www.elotouch.com, or simply call the office nearest you:

North America

Elo Touch Solutions
1033 McCarthy Blvd
Milpitas, CA 95035

Tel 800-ELO-TOUCH

Tel + 1 408 597 8000

Fax +1 408 597 8050

customerservice@elotouch.com

Europe

Tel +32 (0) 16 70 45 00

Fax +32 (0)16 70 45 49

elosales@elotouch.com

Asia-Pacific

Tel +86 (21) 3329 1385

Fax +86 (21) 3329 1400

www.elotouch.com.cn

Latin America

Tel 786-923-0251

Fax 305-931-0124

www.elotouch.com.ar

Disclaimer

The information in this document is subject to change without notice. Elo Touch Solutions, Inc. and its affiliates makes no representations or warranties with respect to the contents herein, and specifically disclaims any implied warranties of merchantability or fitness for a particular purpose. Elo reserves the right to revise this publication and to make changes from time to time in the content hereof without obligation of Elo to notify any person of such revisions or changes.

No part of this publication may be reproduced, transmitted, transcribed, stored in a retrieval system, or translated into any language or computer language, in any form or by any means, including, but not limited to, electronic, magnetic, optical, chemical, manual, or otherwise without prior written permission of Elo Touch Solutions, Inc.

Elo, the Elo logo, Elo Touch, Elo Touch Solutions and Elo TouchSystems are trademarks of Elo Touch Solutions, Inc. and its affiliates in the United States, other countries, or both.

Copyright © 2014 Elo Touch Solutions, Inc. All rights reserved.