

# Miele

## Operating and Installation Instructions



## Fridge-Freezer Combination KFN 14943 SD ed

To prevent accidents  
and machine damage  
read these instructions

**before**

installation or use.

en - CA

M.-Nr. 07 589 450

# Contents

---

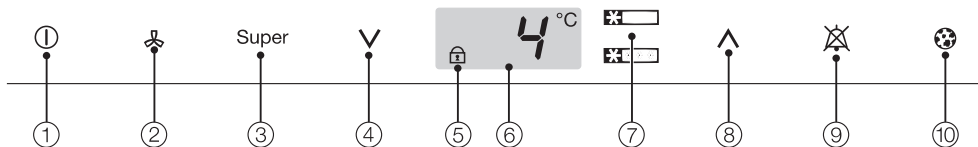
|   |    |
|---|----|
| <b>Description of the appliance</b> . . . . .                                 | 4  |
| <b>Caring for the environment</b> . . . . .                                   | 6  |
| <b>Warning and Safety Instructions</b> . . . . .                              | 7  |
| <b>How to save energy</b> . . . . .   | 12 |
| <b>Switching the appliance ON and OFF</b> . . . . .                           | 13 |
| Operating the appliance . . . . .   | 13 |
| Switching the appliance ON . . . . .  | 13 |
| Switching the appliance OFF . . . . .   | 14 |
| Switching the refrigerator or freezer section on and off separately . . . . . | 14 |
| The settings mode . . . . .   | 15 |
| Turning the button sound on and off . . . . .                                 | 16 |
| Activating and deactivating the safety lock . . . . .                         | 16 |
| Switching off for extended periods of time . . . . .                          | 17 |
| <b>The correct temperature</b> . . . . .                                      | 18 |
| . . . in the refrigerator . . . . .   | 18 |
| . . . in the freezer . . . . .  | 18 |
| Temperature display . . . . .   | 18 |
| Setting the temperature . . . . .   | 19 |
| Temperature ranges . . . . .  | 19 |
| Changing the brightness of the temperature display . . . . .                  | 20 |
| <b>Alarm</b> . . . . .  | 21 |
| Temperature alarm . . . . .   | 21 |
| Door alarm . . . . .  | 22 |
| <b>Super Cool, Super Freeze and DynaCool</b> . . . . .                        | 23 |
| Super Cool . . . . .  | 23 |
| Super Freeze . . . . .  | 24 |
| DynaCool . . . . .  | 25 |
| <b>Using the refrigerator efficiently</b> . . . . .                           | 26 |
| Different storage zones . . . . .   | 26 |
| <b>Adjusting the interior fittings</b> . . . . .                              | 27 |
| Moving the shelves . . . . .  | 27 |
| Split shelf . . . . .   | 27 |
| Moving the serving shelf / bottle shelf . . . . .                             | 28 |
| Universal box . . . . .   | 28 |
| Adjusting the bottle divider . . . . .  | 29 |

|  |    |
|--|----|
| <b>Freezing and storing food</b> . . . . .                         | 30 |
| Maximum freezing capacity . . . . .                                | 30 |
| Freezing fresh food . . . . .                                      | 30 |
| Storing frozen food . . . . .                                      | 30 |
| Home freezing . . . . .  | 31 |
| Hints for home freezing . . . . .                                  | 31 |
| Packing . . . . .  | 31 |
| Before placing food in the freezer . . . . .                       | 32 |
| Placing food in the freezer . . . . .                              | 32 |
| Freezing large items . . . . .                                     | 32 |
| Freezer calendar . . . . .   | 32 |
| Defrosting frozen foods . . . . .                                  | 33 |
| Making ice cubes . . . . .   | 33 |
| Cooling drinks quickly . . . . .                                   | 33 |
| Using the cool pack . . . . .                                      | 34 |
| <b>Automatic defrosting</b> . . . . .                              | 35 |
| <b>Cleaning and care</b> . . . . .                                 | 36 |
| Cleaning the outside walls, the interior and accessories . . . . . | 36 |
| Cleaning the ventilation slits . . . . .                           | 37 |
| Door seal . . . . .  | 37 |
| Cleaning the exterior coils . . . . .                              | 37 |
| <b>Active charcoal filter</b> . . . . .                            | 38 |
| Replacing the active charcoal filters . . . . .                    | 38 |
| <b>Troubleshooting</b> . . . . .                                   | 40 |
| <b>Noises</b> . . . . .  | 43 |
| <b>After sales service</b> . . . . .                               | 44 |
| <b>Electrical information</b> . . . . .                            | 45 |
| <b>Installation information</b> . . . . .                          | 46 |
| Location . . . . .   | 46 |
| Climate range . . . . .  | 46 |
| Proper ventilation . . . . .                                       | 46 |
| Installation . . . . .   | 46 |
| Adjustments . . . . .  | 47 |
| Appliance dimensions . . . . .                                     | 48 |
| <b>Changing the door hinging</b> . . . . .                         | 49 |
| <b>Aligning the appliance doors</b> . . . . .                      | 59 |
| <b>Installing the appliance</b> . . . . .                          | 60 |

# Description of the appliance

---

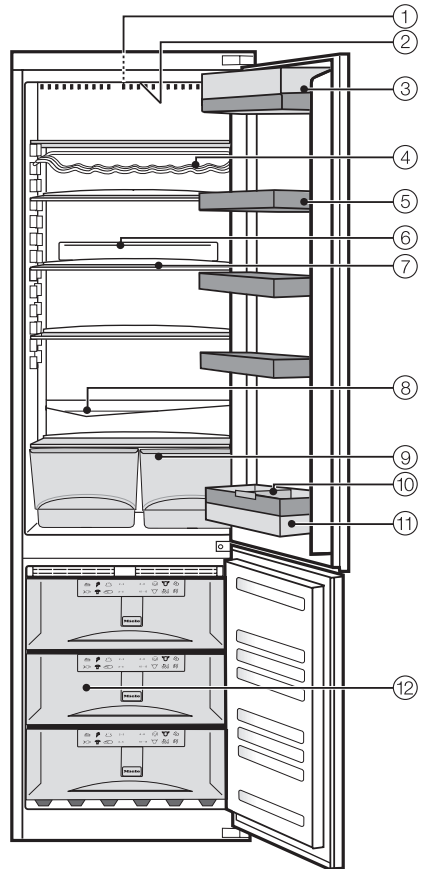
---



- ① ON button for the whole appliance and ON/OFF button for switching the refrigerator and freezer sections on and off individually
- ② DynaCool button
- ③ Super Cool / Super Freeze button
- ④ Button to set the temperature (∇ for colder)
- ⑤ Safety lock indicator light (only visible when the lock is on)
- ⑥ Temperature display for the refrigerator / freezer sections
- ⑦ Button for switching between the refrigerator and freezer sections (top: Refrigerator symbol; bottom: Freezer symbol)
- ⑧ Button to set the temperature (^ for warmer)
- ⑨ Alarm off button (only visible during door / temperature alarm)
- ⑩ Active charcoal filter change display (only visible with prompt to change the active charcoal filter)

# Description of the appliance

- ① Fan
- ② Interior lighting
- ③ Butter and cheese compartment
- ④ Bottle shelf
- ⑤ Egg tray / serving shelf
- ⑥ Retainer for the Active AirClean filter
- ⑦ Shelves
- ⑧ Condensate channel and drain hole
- ⑨ Fruit and vegetable drawers
- ⑩ Bottle divider\*
- ⑪ Bottle shelf
- ⑫ Freezer drawers with freezer calendar



\* Depending on model

# Caring for the environment

---

## **Disposal of packing materials**

The cardboard box and packing materials are biodegradable and recyclable. Please recycle.

Ensure that any plastic wrappings, bags, etc., are disposed of safely and kept out of the reach of babies and young children. Danger of suffocation!

## **Disposal of an old appliance**

Old appliances contain materials that can be recycled. Please contact your local recycling center about the possibility of recycling these materials.

Before discarding an old appliance, disconnect it from the gas and electrical supply and cut off the power cord to prevent it from becoming a hazard.

# Warning and Safety Instructions

---

This appliance complies with all applicable safety laws and regulations. However, improper use can result in personal injury and material damage.

Read the operating instructions carefully before operating the appliance for the first time. They contain important information on the installation, safety, operation and care of your appliance. This will avoid the risk of personal injury and damage to the appliance.

Keep the operating instructions in a safe place and pass them on to any future owner!

## Correct use

► This appliance is intended for domestic use only, specifically for the cool storage of food and drinks, for storing frozen food, for freezing fresh food and for making ice. Any other use is not permitted and could be dangerous. The manufacturer will not be held liable for damage caused by incorrect use or operation.

► Persons incapable of using the appliance safely owing to their physical, sensory or mental capabilities or their inexperience or lack of knowledge must not use this appliance without supervision or instruction by a responsible person.

## Safety with children

► Children may use the appliance without supervision only if its operation has been clearly explained to them and they are able to use it safely. They must be able to recognize the potential hazards of improper operation.

► Supervise any children in the vicinity of the appliance. Do not allow children to play with the appliance or to swing on the door, for example.

# Warning and Safety Instructions

---

## Technical safety

▶ Before setting up the appliance, check it for any external damage. Do not install and use a damaged appliance.

A damaged appliance may endanger your safety!

▶ If the connection cable is damaged it must be replaced by a Miele approved service technician to protect the user from danger.

▶ This appliance contains the coolant Isobutane (R600a), a natural gas that is environmentally friendly but flammable. It does not damage the ozone layer and does not increase the greenhouse effect. The use of this environmentally friendly coolant has, however, led to a slight increase in the noise level of the appliance. In addition to the noise of the compressor, you might be able to hear the coolant flowing through the system. This is unavoidable, but does not have any adverse effect on the performance of the appliance. Ensure that no parts of the cooling system are damaged during transportation and setting up of the appliance. Leaking coolant can damage the eyes!

In the event of damage:

- avoid open fires and any ignition sources,
- pull out the plug,
- air the room in which the appliance is located for several minutes and
- contact Customer Service.

▶ The more coolant there is in an appliance, the larger the room it should be installed in. If a leak occurs, combustible gases may build up if the appliance is in too small a room. For every 8 g of coolant in the appliance, the room must be at least 1m<sup>3</sup> in size. The amount of coolant in the appliance is stated on the data plate inside the appliance.

▶ Safe operation of the appliance is only assured if it has been installed and connected in accordance with these installation and operating instructions.

▶ Before plugging in the appliance, make sure that the connection data (voltage and frequency) indicated on the data plate corresponds with the electrical supply. These data must match in order to avoid damaging the appliance. If in doubt, please contact a qualified electrician.

▶ Do not connect the appliance to the power supply by an extension cord or power bar, as they do not guarantee the required safety (risk of overheating, for example).



# Warning and Safety Instructions

---

► The electrical safety of this appliance can only be guaranteed if it is properly grounded in compliance with all applicable local and national safety regulations. It is very important to ensure that this essential safety requirement is met. If there is any doubt about the grounding of your household wiring, have it inspected by a qualified electrician.

The manufacturer will not be held liable for damages resulting from an inadequate grounding system (e.g. electric shock).

► Only professionals who are duly authorized by the manufacturer may install or perform maintenance and repair work on this appliance. Work performed by unqualified persons harbors the risk of serious harm to the user for which the manufacturer will not be held liable.

► Repair of the appliance during the warranty period should be performed by a customer service authorized by the manufacturer, otherwise any damage will not be covered by the warranty.

► Disconnect the appliance from the electrical power supply prior to installation, maintenance or repair. The appliance is disconnected when one of the following conditions is met:

- the appliance has been unplugged. To unplug, pull carefully on the plug, NOT on the cord.
- the respective breaker of the house wiring system is off.

► Defective components should only be replaced with genuine Miele original spare parts only. Only with these parts does the manufacturer guarantee that they comply with the safety requirements.

► Installation of this appliance in non-stationary locations (e.g. on ships) must only be performed by a qualified specialist who must ensure that the conditions for safe operation are in place.

# Warning and Safety Instructions

---

## Correct use

▶ Do not handle frozen items when your hands are wet. Your hands could freeze to the item(s). Risk of injury!

▶ Never put ice or popsicles in your mouth immediately after taking them out of the freezer - your lips or tongue could freeze to the item(s). Risk of injury!

▶ Never re-freeze food that has been partially or completely thawed. Defrosted food should be used promptly, before it loses nutritional value or spoils. However, once it has been cooked, thawed food can be refrozen.

▶ Never store explosive materials or products with flammable propellants (spray cans, for example) in the appliance. Sparking can occur when the thermostat switches on. This can cause flammable gasses to explode.

▶ Do not operate any electrical devices in the appliance (soft ice cream maker, for example). This could cause sparking. Danger of explosion!

▶ High proof alcohol should be stored upright in tightly closed bottles in the refrigerator section. Danger of explosion!

▶ Do not store cans or bottles in the freezer section that contain carbonated beverages or liquids that could freeze. The cans or bottles could burst. Risk of personal injury or damage to the appliance!

▶ Bottles that are put in the freezer for quick cooling must be removed within one hour. Otherwise, they could burst. Risk of personal injury or damage to the appliance!

▶ Eating food stored for too long can cause food poisoning. The storage life depends on many factors, including the quality of the food, how fresh it is, and the storage temperature. Always observe the manufacturer's recommended storage instructions and expiry dates.

▶ Never use a pointed or sharp-edged object to

– remove frost or ice,

– to free ice trays or frozen items from the freezer.

This will damage the evaporators, causing irreversible damage to the appliance.

▶ Never place candles or electric heaters in the appliance to defrost it. This can damage the plastic.

# Warning and Safety Instructions

---

▶ Do not use defrosting sprays or de-icers.

They may cause a build-up of potentially explosive gasses or contain substances that can damage the plastic or that could pose a danger to health.

▶ Do not use any oils or grease on the door seals.

They can cause the seals to deteriorate over time.

▶ If you store fatty or oily foods in the appliance or the appliance door, make sure that no oil or grease leaks onto the plastic parts of the appliance.

This can cause the plastic to crack and break.

▶ Do not block the ventilation slits, because this interferes with proper air supply to the appliance. This in turn causes increased electricity consumption and may also result in damage to appliance parts.

▶ The appliance is designed for use within a certain climate range (room temperature range) and should not be used outside this range. The climate range for your appliance is printed on the data plate inside the appliance. If the room temperature is cold, this will cause the appliance to switch off for longer periods of time, with the result that it cannot maintain the required internal temperature.

▶ Never use a steam cleaner to defrost or clean the appliance. The steam could reach the electrical components and cause a short circuit.

## Disposing of your old refrigerator / freezer

▶ Before disposing of your old fridge/freezer, first make the door latch or lock unusable.

This will prevent children from accidentally locking themselves in and endangering their lives.

▶ Be careful not to damage any part of the cooling system, for example by

- puncturing the coolant channels in the evaporator.
- kinking any pipework.
- scratching the surface coating.

Caution: Splashes of coolant can damage the eyes.

The manufacturer will not be held liable for damage caused by failure to comply with these "Warning and Safety Instructions".

# How to save energy

|                                      | <b>Normal energy consumption</b>   | <b>Increased energy consumption</b>   |
|--------------------------------------|--|---|
| <b>Installation site</b>             | In a well ventilated room.   | In an enclosed, poorly ventilated room.   |
|                                      | Protected from direct sunlight.  | In direct sunlight.   |
|                                      | Away from heat sources (radiator, stove/oven).                                     | Near heat sources (radiator, stove/oven).   |
|                                      | When the room temperature is ideal (approx. 20 °C (68 F)).                         | When the room temperature is high.  |
| <b>Temperature setting (dial)</b>    | At a medium setting of 2 to 3.   | At a high setting: The lower the temperature in the appliance, the more energy it consumes.   |
| <b>Temperature setting (digital)</b> | Cellar compartment 8 to 12 °C (46 to 54 F)   | On appliances with a winter setting, make sure that the winter setting is switched off when the room temperature is warmer than 16 °C.          |
|                                      | Refrigerator section 4 to 5 °C (39 to 41 F)  |   |
|                                      | Freezer section -18 °C (-2 F)  |   |
| <b>Use</b>                           | Open the door only when necessary, and for as short a time as possible.            | Frequent opening of the door for long periods will cause a loss of coldness.  |
|                                      | Store food in an organized way.  | Disorganized contents will take time to sort through, leaving the door open too long.   |
|                                      | Allow hot food and drinks to cool down before placing them in the appliance.       | Placing hot food in the appliance will cause the compressor to run for a long time, with the appliance working harder to lower the temperature. |
|                                      | Store food covered or packaged.  | The evaporation or condensation of liquids will cause a loss of coldness in the refrigerator.   |
|                                      | Place frozen food in the refrigerator to defrost.                                  |   |
|                                      | Do not overfill the appliance. Leave some room so that air can circulate properly. |   |
| <b>Defrosting</b>                    | Defrost the freezer when a layer of ice 1 cm thick has built up.                   | A layer of thick ice hinders cold air from reaching the frozen food, and causes an increase in energy consumption.                              |

# Switching the appliance ON and OFF

## Before first use

The stainless steel surfaces on the inside and outside of the appliance are covered with protective sheeting.

- Do not remove the protective sheeting until the appliance has been installed in its final location.
- Wipe the stainless steel surfaces of the appliance with the enclosed stainless steel cleaning agent directly after removing the protective sheeting.

Important! The stainless steel cleaning agent provides a durable protective film that prevents rapid soiling of the surface!

- Clean the inside of the appliance and the accessories with warm water and dry with a soft cloth.

It is very important to let the appliance stand for 30 to 60 minutes after transport before plugging it in. Failure to do so can prevent the appliance from functioning properly!

## Active charcoal filter (Active AirClean Filter)

- Place the enclosed active charcoal filters into the retainer and place the retainer on any shelf in the refrigerator section (see "Active charcoal filter").

## Operating the appliance

To operate this unit, simply touch the sensor buttons as needed.

## Switching the appliance ON

The refrigerator and freezer sections are switched on together by touching the ON/OFF button.



- Touch the ON/OFF button until the temperature display lights up.

The temperature display for the refrigerator section shows the actual temperature in the refrigerator section.

If the temperature in the freezer section is above +32°F (0°C), the temperature display will show only dashes. As soon as the temperature drops below +32°F (0°C), the temperature display will show the actual temperature in the freezer section.

The Freezer symbol and the alarm off button will flash until the temperature in the freezer section is cold enough.

The appliance will now start cooling, and the interior light of the refrigerator will come on when you open the door.

Allow the appliance to run for a few hours before placing food in it. Do not place food in the freezer section until the temperature is cold enough (at least -18°C).

# Switching the appliance ON and OFF



Use this button to switch back and forth between the refrigerator section and the freezer section.

If you want to select the freezer section (e. g. to check the temperature),



- tap the button to switch from the refrigerator section to the freezer section; the Freezer symbol will light up yellow.

Depending on the selected temperature zone, you can

- either select the DynaCool function,
- the Super Cool / Super Freeze functions or
- adjust the temperature.

For additional information, please see the corresponding sections in the manual.

## Cool pack

Place the cool pack in the top drawer of the freezer section or, to save space, on the freezer tray. The cool pack will be at its most effective after it has been in the freezer for approximately 24 hours.

## Switching the appliance OFF



- Touch the ON/OFF button until all displays are out. (If this does not happen, then the safety lock is still activated!)

The refrigerator and freezer sections switch off one after the other.

The interior lighting goes out and the cooling is switched off.

## Switching the refrigerator or freezer section on and off separately

The refrigerator and freezer sections can be switched on and off separately so that you can use one section only if you wish.

This is useful, e.g. whilst on holiday, when you only need the freezer section switched on.



- Select the appliance section you wish to switch off.

The Refrigerator or Freezer symbol lights up yellow.

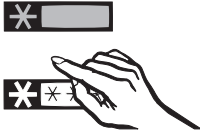


- Touch the ON/OFF button until the Refrigerator or Freezer symbol goes out.

# Switching the appliance ON and OFF

That section is now switched off, while the other section remains on.

**To switch a section back on again,**



- select the section you wish to switch on; the corresponding symbol lights up yellow.
- Touch the ON/OFF button until the temperature display lights up, or
- switch the appliance off and then back on again.

## The settings mode

Certain appliance settings can only be selected in the settings mode.

How to enter the settings mode and how to change the settings is described in the respective chapters.

Overview of available functions in the settings mode:

|   |          |
|---|----------|
| To enter or exit the settings mode  | <i>c</i> |
| To turn the button sound on or off (see "Switching the appliance ON and OFF")     | <i>b</i> |
| To confirm active charcoal filter change (see "Active charcoal filter")           | <i>h</i> |
| To turn the safety lock on or off (see "Switching the appliance ON and OFF")      | <i>u</i> |
| To change the brightness of the temperature display (see "The right temperature") | <i>d</i> |

The door alarm is automatically disabled while you are in the settings mode. Once the door is closed, the door alarm is re-activated.

# Switching the appliance ON and OFF

---

## Turning the button sound on and off

If you prefer the buttons to be silent when touched, you can turn the button sound off.



- Touch the ∨ button and keep your finger on the button.



- Now tap the ON/OFF button once (WITHOUT releasing the ∨ button!).
- Keep your finger on the ∨ button for another 5 seconds until **c** is displayed.
- Again tap the ∨ button repeatedly until **b** is displayed.
- Tap the ON/OFF button to confirm.
- By tapping the ∨ button, you can now select whether you would like the button sound to be on or off:
  - b 0**: button sound is off
  - b 1**: button sound is on
  - b -**: return to menu.

The old setting is displayed steady, the setting to be selected flashes.

- Whenever you finish changing a setting, tap the ON/OFF button to confirm.
- Keep tapping the ∨ button until **c** is displayed.
- Tap the ON/OFF button.

You have left the settings mode.

## Activating and deactivating the safety lock

The safety lock can be activated to prevent the appliance from being switched off inadvertently.



- Touch the ∨ button and keep your finger on the button.



- Now tap the ON/OFF button once (WITHOUT releasing the ∨ button!).
- Keep your finger on the ∨ button for another 5 seconds until **c** is displayed.
- Keep tapping the ∨ button until **u** is displayed.
- Tap the ON/OFF button to confirm.
- By tapping the ∨ button you can now select whether the safety lock should be activated or deactivated:
  - u 0**: safety lock is deactivated
  - u 1**: safety lock is activated
  - u -**: return to menu.

The old setting is displayed steady, the setting to be selected flashes.




# Switching the appliance ON and OFF

---

- Whenever you finish changing a setting, tap the ON/OFF button to confirm.
- Keep tapping the  $\vee$  button until  $\epsilon$  is displayed.
- Tap the ON/OFF button.

You have left the settings mode.

When the safety lock is activated, the safety lock indicator  will light up show in the temperature display.

## Switching off for extended periods of time

If the appliance is not needed for a longer period of time:

- switch the appliance off,
- unplug it from the socket,
- clean the appliance and
- leave the doors ajar to prevent any odour build-up in the appliance.

If you fail to clean the appliance and leave the doors ajar before switching it off for an extended absence, mould may build up in the appliance.

# The correct temperature

---

The correct temperature is very important for storing food. If food is not stored at the correct temperature, bacteria can multiply rapidly, causing the food to spoil. This can be prevented or slowed down by selecting the correct temperature. Temperature affects the rate at which bacteria can multiply. Reducing the temperature slows down this process.

The temperature in the appliance will rise for the following reasons:

- if you open the door frequently, or keep it open too long,
- if you put too much food in it,
- if you put food in it that is too warm,
- if the ambient temperature is too high.

The appliance is designed for use within a certain climate range (room temperature range), and should not be used outside this range.

## . . . in the refrigerator

We recommend a temperature of **39°F (4°C)** in the middle of the appliance.

## . . . in the freezer

For freezing fresh food and storing frozen food for longer periods of time, the temperature needs to be at least **0°F (-18°C)**. At this temperature, most bacteria stop growing. However, when the temperature rises above 14°F (-10°C) the bacteria become active, causing the food to start deteriorating and reducing the storage life. This is why any partially or completely thawed food must never be refrozen until it has been cooked. High cooking temperatures will kill most bacteria.

## Temperature display

During normal operation, the temperature display shows on the control panel the temperature in the middle of the refrigerator section and the temperature in the warmest part of the freezer section.

# The correct temperature

## Setting the temperature

The temperatures for the refrigerator section and the freezer section are set separately.



- Select the refrigerator or the freezer section.

The Refrigerator or Freezer symbol lights up yellow.



- Set the temperature with the buttons beside the display.

Tap the

∨ button: to decrease the temperature  
∧ button: to increase the temperature.

The temperature being set will flash in the display.

When you tap the buttons, you will see the following changes in the temperature display:

- When first tapped: The **last temperature selected flashes.**
- Each subsequent tapping: adjusts the temperature in increments of 1°F / 1°C.

- Holding down the button will adjust the temperature continuously. When the highest / lowest temperature is reached the ∨ / ∧ button disappears.

Approximately 5 seconds after you release the button, the **actual average** temperature in the refrigerator or freezer section will automatically be displayed.

If you have adjusted the temperature, wait approx. 6 hours **if the appliance is not very full** or approx. 24 hours **if it is full** before checking the temperature display again. It will take that long to reach the selected temperature. If, after this amount of time, the temperature is too high or too low, you will need to adjust it again.

## Temperature ranges

The temperature can be selected within the following ranges:

- In the refrigerator section, from 36 to 52°F (2°C to 11°C).
- In the freezer section, 8 to -15°F (-16° to -26°C).

The ambient temperature in the room and the installation location can affect the time it takes for the appliance to reach the coldest temperature. If the ambient temperature is too high, it may not be possible for the appliance to reach the lowest temperature.

# The correct temperature

---

## Changing the brightness of the temperature display

You can adjust the brightness of the temperature display to suit the lighting conditions of the room.



- Touch the ∇ button and keep your finger on the button.



- Now tap once on the ON/OFF button (WITHOUT releasing the ∇ button!).
- Keep the finger on the ∇ button for another 5 seconds until  $\epsilon$  is displayed.
- Again tap the ∇ button until  $d$  is displayed.
- Tap the ON/OFF button to confirm.
- By tapping the ∇ button you can now change the brightness of the temperature display:
  - $d \square$ : maximum brightness
  - $d 7$ : reduced brightness
  - $d -$ : return to menu.

The old setting is displayed steady, the setting to be selected flashes.

- Whenever you finish changing a setting, tap the ON/OFF button to confirm.
- Keep tapping the ∇ button until  $\epsilon$  is displayed.
- Tap the ON/OFF button.

You have left the settings mode.

The appliance is equipped with an alarm system to ensure that the temperature in the freezer section does not rise unnoticed and to avoid energy being wasted if the door is left open.

## Switching the alarm system ON

The alarm system is always active. It does not need to be switched on manually.

## Temperature alarm

If the temperature in the freezer section becomes too warm, an alarm will sound.

The alarm off button flashes red and the Freezer symbol flashes.

The audible and visible signals are triggered under the following conditions, for example:

- whenever too much warm air flows into the appliance, for example when food is being loaded, re-arranged or taken out.
- whenever large amounts of food are being frozen at once.
- after a power outage.

Once the the alarm condition has ended, the alarm stops and the displays go out.

## Switching the alarm off early

If the alarm signal bothers you, it can be silenced.



- Tap the alarm off button. The alarm will stop. The alarm off button and the Freezer symbol will continue to flash until the alarm condition has ended.

If the temperature was above 0°F (-18°C) for a longer period of time you will need to check to make sure that no frozen food started to thaw. Any food that started to thaw must be used as soon as possible!

# Alarm

---

## Door alarm

If one of the appliance doors is left open for longer than approx. 2 minutes, the alarm signal will sound.

The alarm off button lights up red and the symbol of the temperature section with the open door flashes.

Once the appliance door is shut, the alarm stops and the displays go out.

## Switching the door alarm off early

If the noise of the door alarm bothers you, it can be switched off early if you wish.



- Tap the alarm off button.  
The alarm will stop.  
The alarm off button will light up steady and the symbol of the temperature section with the open door continues to flash until the appliance door is closed.

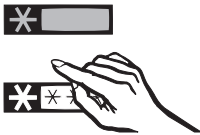
# Super Cool, Super Freeze and DynaCool

## Super Cool

The Super Cool function can be used to rapidly reduce the temperature in the refrigerator section to its lowest setting (depends on the room temperature).

### Switching Super Cool ON

Super Cool is particularly recommended for the fast chilling of large amounts of fresh food or drinks.



- Select the refrigerator section.

The Refrigerator symbol lights up yellow.



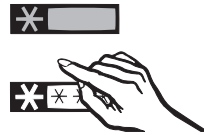
- Tap the Super Cool button and the indicator light will come on yellow.

The appliance will now work at full power to lower the temperature in the refrigerator section.

### Switching Super Cool OFF

The Super Cool function automatically switches off after approx. 6 hours. The appliance will then continue to run at normal power.

To save energy, you can switch off the Super Cool function yourself once the food or drinks are sufficiently chilled.



- Select the refrigerator section.

The Refrigerator symbol lights up yellow.



- Tap the Super Cool button, and it will then dim to light yellow.

The appliance now continues running at normal power.

# Super Cool, Super Freeze and DynaCool

## Super Freeze

For best results, switch on the Super Freeze function before putting fresh food into the freezer.

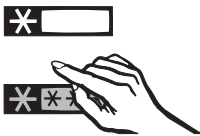
Fresh food will be frozen quickly, so that the nutritional value, vitamins, appearance and taste are maintained.

### Exceptions:

- if you are loading frozen food into the freezer.
- if you are not loading more than 2 kg fresh food into the freezer per day.

## Switching Super Freeze ON

The Super Freeze function should be switched on **6 hours before you place** fresh food in the freezer. However, if you are planning to load the **maximum amount of food into the freezer, the Super Freeze function should be switched on 24 hours beforehand!**



- Select the freezer section.

The Freezer symbol lights up yellow.



- Tap the Super Freeze button and the indicator light will come on yellow.

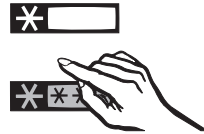
The appliance will now work at full power to lower the temperature in the freezer section.

## Switching Super Freeze OFF

Depending on the amount of food placed in the freezer, the Super Freeze function will automatically switch off after approx. 30 to 65 hours.

The appliance continues running at normal, energy-saving power.

To save energy, you can switch off the Super Freeze function yourself once the freezer reaches a constant temperature of at least 0°F (-18°C).



- Select the freezer section.

The Freezer symbol lights up yellow.



- Tap the Super Freeze button so that the button changes to light yellow.

The appliance now continues running at normal power.



## DynaCool

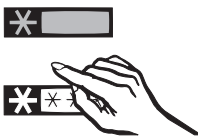
If the dynamic cooling function (DynaCool) is not switched on, the natural circulation of air in the appliance can create different temperature zones in the refrigerator as the cold, heavy air will sink to the lowest section of the appliance. You should bear this in mind when placing food in the appliance (see "Using the refrigerator efficiently").

If you are placing a large amount of the same type of food in the refrigerator at one time (e.g. for a party), it is a good idea to switch on the DynaCool function. It will help distribute the temperature evenly throughout the appliance so that all the food will be chilled to about the same temperature. The temperature is set as usual.

Dynamic cooling should also be selected when:

- the room temperature is high (above approx. 86 °F (30°C) and
- the humidity is high.

### Switching dynamic cooling ON



- Select the refrigerator section.

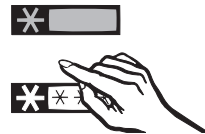
The Refrigerator symbol lights up yellow.



- Tap the dynamic cooling button, and the indicator light will come on yellow.

### Switching dynamic cooling OFF

Because dynamic cooling requires more energy, you should switch it off under normal conditions.



- Select the refrigerator section.

The Refrigerator symbol lights up yellow.



- Tap the dynamic cooling button so that it changes to light yellow.

The fan automatically switches temporarily off, whenever the door is opened!

# Using the refrigerator efficiently

---

## Different storage zones

Due to the natural circulation of air in the appliance, there are different temperature zones in the refrigerator. Cold, heavy air sinks to the lowest section of the appliance. Make use of these different zones when placing food in the appliance.

This appliance has a dynamic cooling feature (DynaCool) helping to keep an even when the fan is running temperature. As a result, the differences between temperature zones are less pronounced.

### Warmest area

The warmest area is in the top section of the door. Use this area to store items such as butter and cheese.

### Coldest area

The coldest area in the refrigerator section is directly above the fruit and vegetable drawers.

Use these cold areas in the refrigerator for all highly perishable foods, such as:

- fish, meat, poultry,
- deli meats, store-bought meals,
- dishes or baked goods containing eggs or cream,
- fresh bread dough, pastry dough, cake batters,
- dairy products.

- pre-packed vegetables and other fresh food with a label stating it should be kept at a temperature of approx. 4°C .

Never store explosive materials in the appliance, or products with flammable propellants (e.g. spray cans,). Danger of explosion!

If storing high-proof alcohol, make sure it is tightly closed and stored upright.

Do not store cooking oil in the refrigerator door. Traces of oil can cause stress cracks to occur in the plastic components in the door.

Do not allow food to touch the rear wall of the appliance, it may freeze to the wall.

Leave some space between items so that air can circulate freely around them. Do not cover the fan in the rear wall - this is important for cooling performance!

# Adjusting the interior fittings

## Moving the shelves

The shelves in the refrigerator section can be adjusted according to the height of the food.

- Lift the shelf, pull it forwards slightly, lift the recess over the support ribs and move the shelf up or down.

The edge of shelf's rear stop must face upwards so that food does not touch the rear wall and freeze to it.

Stops prevent the shelves from being pulled out accidentally.

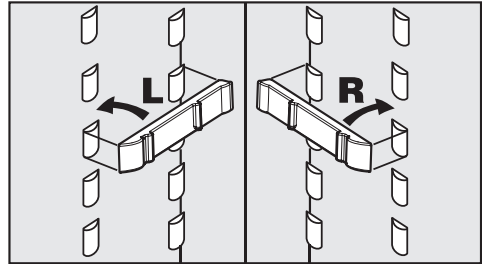
## Split shelf

In order to accommodate tall items such as tall bottles or containers in the appliance, one of the shelves is divided. The front section can be gently pushed under the rear section:

- Push the rear half of the glass shelf up slightly.
- With the rear half pushed up, lift the front half of the glass shelf slightly, then slide it carefully under the rear half.

To move the split shelf

- remove the two halves of the glass plate and



- place the two support rails left and right on the support ribs at the desired height,
- slide the glass shelves in one after the other.  
The glass shelf with the limit stop must be placed at the back!

## Fruit and vegetable drawers on rollers

The fruit and vegetable drawers are mounted on rollers and can be pulled out for loading and unloading. The roller plates can be removed for cleaning.

# Adjusting the interior fittings

## Moving the serving shelf / bottle shelf

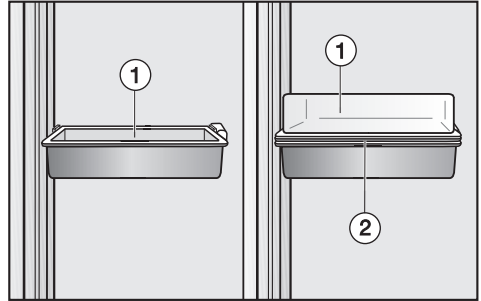
- Lift the hanging container up and out of the stainless steel support frame.
- Push the stainless steel support frame up and remove it by pulling it forward.
- Replace the stainless steel support frame at the desired location. Make sure that it is securely pushed back into position.
- Place the hanging container into the stainless steel frame.

The hanging containers can be removed from the serving shelves for loading and unloading and then replaced.

The hanging containers with the food can be placed directly on the table for serving.

## Universal box

Food can be stored as well as served in the universal box.



The universal box consists of a deep container ① and a shallow container ②; both containers can be placed in the stainless steel support frame as hanging containers.

If you wish to use the universal box to serve food,

- place the shallow container ② in the stainless steel frame and use the deep container as a lid ①.

For serving, the universal box with the food can be completely removed from the holder and placed directly on the table.

## Adjusting the bottle divider

(may vary by model)

The bottle divider can be moved to the left or right. This holds the bottles more securely in position when the door is opened and closed.

The bottle divider can be removed completely (e.g. for cleaning):

- Slide the front edge of the bottle divider up and lift the bottle divider out.

# Freezing and storing food

---

## Maximum freezing capacity

To ensure that fresh food placed in the freezer freezes through to the core as quickly as possible, the maximum freezing capacity must not be exceeded. The maximum freezing capacity within a 24-hour period is listed on the data plate, as "Freezing capacity ...kg/24 h".

The maximum freezing capacity specified on the data plate was determined according to DIN EN ISO 15502.

## Freezing fresh food

Fresh food should be frozen as quickly as possible so that the nutritional value of the food, its vitamin content, appearance and taste are maintained.

The longer it takes to freeze the food, the more water is lost from its cells, which then shrink.

Later, when the food is defrosted, only a portion of this liquid is reabsorbed by the cells.

This means that the food loses a lot of its moisture. You can recognize this by the large pool of water that collects around the defrosted food.

If food is frozen quickly, there is less time for the cells to lose moisture, so they shrink less.

Also, because a smaller amount of moisture is lost, it is easier for the food to reabsorb it during the defrosting process. Very little water collects around the defrosted food!

## Storing frozen food

When buying frozen food to store in your freezer, make sure to check:

- that the packaging is not damaged,
- the expiry date and
- the temperature at which the frozen food is being stored by the shop. If the food is being stored at a temperature warmer than 0°F (-18°C), this reduces the storage life of the frozen food.

- Buy frozen food at the very end of your shopping trip, and wrap it in newspaper or use a cooler box or bag to transport it.
- Place frozen food in the freezer immediately upon returning home.

Never re-freeze partially or completely defrosted food. However, once defrosted food has been thoroughly cooked you may freeze it again.

## Home freezing

Only freeze food that is fresh and in good condition!

### Hints for home freezing

- The following types of food **are suitable** for home freezing: fresh meat, poultry, game, fish, vegetables, herbs, fresh fruit, dairy products, baked goods, leftovers, egg yolks, egg whites and most pre-cooked meals.
- The following types of food **are not suitable** for freezing: grapes, lettuce, radishes, sour cream, mayonnaise, eggs in the shell, onions, whole raw apples and pears.
- To retain colour, taste, flavour and vitamin C, vegetables should be blanched prior to freezing. To blanch, immerse small batches of the vegetable in boiling water for 2 to 3 minutes. Remove the vegetable and plunge into cold water to cool quickly. Transfer to a colander and drain.
- Lean meat freezes better than fatty meat and can be stored for considerably longer.
- To prevent chops, cutlets, and steaks from sticking together in solid blocks, separate them with a sheet of plastic film.
- Do not salt or season raw foods or blanched vegetables before freezing. Cooked food may be seasoned lightly before freezing, but

note that the flavour of some spices deteriorates when frozen.

- Do not place very warm or hot foods or beverages in the freezer to prevent already frozen food from thawing and to save energy.

### Packing

- Freeze food in portions.

#### **Suitable packing materials:**

- plastic film
- freezer bags (polyethylene)
- aluminum foil
- freezer containers.

#### **Unsuitable packing materials:**

- packing paper
- parchment paper
- cellophane
- garbage bags
- plastic shopping bags.

- Expel as much air as possible from the package before sealing.

- Close the packaging tightly with
  - rubber bands
  - plastic clips
  - string or bag ties
  - freezer tape.

Polyethylene freezer bags can also be sealed with home sealing kits.

- Label the package with the contents and the date of freezing.

# Freezing and storing food

## Before placing food in the freezer

- When freezing more than 2 kg of fresh food, switch on the Super Freeze function ahead of time (see Super Freeze).  
This will protect the food that is already in the freezer with an added boost of cold.

## Placing food in the freezer

Food to be frozen can be placed anywhere in the freezer section.

Larger quantities should be placed directly on the glass shelves, where they will freeze more quickly, which is better for maintaining quality. To do this, first remove the top two freezer drawers.

When you remove the top freezer drawers, take care not to cover the ventilation slits on the rear wall of the appliance. They are important for trouble-free operation!

Always leave the bottom freezer drawer in the appliance!

Each freezer drawer and glass shelf has a maximum load capacity of 25 kg.

- Spread the food to be frozen across the entire bottom of the freezer drawer or across the glass shelves so that it will freeze through to the core as quickly as possible.
- When placing items in the freezer, make sure that the packaging and containers are dry to prevent them from sticking together when frozen.

When freezing, make sure that already frozen food does not come into contact with fresh food being frozen so that the frozen food does not start to defrost.

## Freezing large items





If you wish to freeze large items such as turkey or game you can remove the glass shelves between the freezer drawers. To do this:

- Remove the freezer drawers and carefully lift and pull out the glass shelves!

## Freezer calendar

The freezer calendar on the freezer drawer shows the normal storage times in months for various types of fresh-frozen food.

For store-bought frozen foods, observe the storage life specified on the packaging.

|   |       |         |  |
|---|-------|---------|--|
|  | 2 - 3 | 6 - 8   |  |
|  | 3 - 5 | 10 - 12 |  |

2 - 3 months:  
Cakes, ice cream, stews

3 - 5 months:  
Fish, mushrooms, bread

6 - 8 months:  
Pork, veal, poultry

10 - 12 months:  
Beef, fruit, vegetables



## Defrosting frozen foods

Frozen food can be defrosted in various ways:

- in the microwave,
- in a regular oven, using the "fan" or "defrost" setting,
- at room temperature,
- in the refrigerator (as it thaws, the frozen food will help cool the other food in the refrigerator),
- in a steam oven.

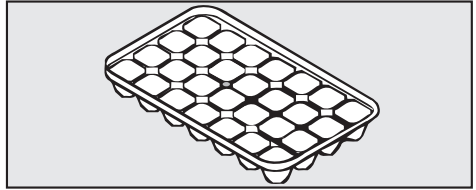
**Flat pieces** of partially thawed meat or fish can be placed directly into a hot skillet.

**Fruit** can be thawed at room temperature, either in the packaging or in a covered bowl.

**Most vegetables** can be cooked while still frozen. You can place them directly in simmering water or hot oil. Because of changes in the cell structure, the cooking time is slightly shorter than for fresh vegetables.

Never re-freeze partially or completely defrosted food. However, once defrosted food has been thoroughly cooked you may freeze it again.

## Making ice cubes



- Fill the ice cube tray three quarters full of water and place it on the bottom of a freezer drawer.
- If the ice cube tray freezes to the floor of the drawer, use a dull object (e.g. a spoon handle) to loosen it.
- The ice cubes can be easily loosened by holding the tray briefly under running water.

## Cooling drinks quickly

To cool drinks quickly, place them in the refrigerator section, and switch on the Super Cool function. However, if you choose to place bottles in the freezer, make sure that they are not left in for more than **one hour**, as they could burst.

# Freezing and storing food

---

## Using the cool pack

The cool pack prevents the temperature in the freezer from rising too quickly in the event of a power outage.

Place the cool pack in the upper drawer, directly on top of the food. The cool pack will be at its most effective after it has been in the freezer for approximately 24 hours.

If there is a power outage, place the cool pack directly on top of the frozen food in the upper drawer to keep the food cold for as long as possible.

When placing fresh food in the freezer, use the cool pack to separate the fresh food from the already frozen food so that the frozen food does not begin to thaw.

The cool pack can also be used to keep food or drinks cool for a short period of time in a cooler box or bag.

## Refrigerator section

The refrigerator defrosts automatically.

During normal operation, condensate and frost can build up on the rear wall of the refrigerator and drawers.

You do not need to remove this, as it will defrost and evaporate automatically with the heat generated by the appliance.

The condensate is drained away via a channel and drain hole into an evaporation system at the back of the appliance.

Ensure that the condensate channel and drain hole are kept clean and are unblocked so that condensate can flow away easily.

## Freezer section

The freezer defrosts automatically.

The moisture generated in the appliance collects on the condenser and is automatically defrosted and dissipated by the condenser from time to time.

This automatic defrosting system enables the freezer to remain permanently ice-free, however the food stored remains frozen.

## Cleaning and care

---

Never use abrasive cleaners on the appliance, or products that contain washing soda, acids, chlorine bleach or chemical solvents. Note that so-called non-abrasive cleaners are also unsuitable as they can cause dull patches.

For all stainless steel surfaces, use a suitable stainless steel cleaner (available through Miele Customer Service).

Make sure that no water gets into the electronics or into the lighting.

Do not let any cleaning water get into the condensate drain hole. Do not use a steam cleaner to clean the appliance. Steam could reach the electrical components and cause a short circuit.

Never remove the data plate inside the appliance. It contains important information that is required in the event of a service call.

### Before cleaning

- Switch the appliance off, then unplug it from the socket.
- Take any food out of the appliance and store it in a cool place.
- Take out any removable parts so that they can be cleaned.
- To clean the serving shelves in the door, remove the hanging containers from the stainless steel frames.

### Cleaning the outside walls, the interior and accessories

Use lukewarm water with some mild dish liquid. The parts should all be cleaned by hand.

- Clean the appliance at least once a month.
- Clean the condensate channel and drain hole more frequently using a cotton swab, for instance, so that condensate can drain away unobstructed.
- After washing, wipe the outside walls, the interior and accessories with clear water, then dry with a soft cloth. Leave the appliance doors open for a short while.
- Use a special product to clean the stainless steel surfaces.
- After each cleaning, wipe the stainless steel surfaces with a product designed for the care of stainless steel!

It is important that the stainless steel surfaces are sealed with a product suitable for stainless steel after each cleaning. This protects the stainless steel surface and prevents the surface from becoming soiled too quickly.

## Cleaning the ventilation slits

- The ventilation slits should be cleaned on a regular basis with a brush or vacuum cleaner. A build-up of dust will increase the amount of energy the appliance consumes.

## Door seal

Do not use any grease or oil on the door seal as they will cause the seal to deteriorate over time.

The door seal should be cleaned regularly with clear water and then wiped dry with a soft cloth.

## Cleaning the exterior coils

The metal coils on the back of the appliance (heat exchanger) need to be dusted and cleaned at least once a year. A build-up of dust and grime will increase the amount of energy the appliance consumes!

When cleaning the coils, be careful not to tear off, kink or otherwise damage any wiring or other parts.

## After cleaning

- Replace all the parts of the refrigerator section.
- Return food to the refrigerator section, close the doors, plug in the power cord and switch on the appliance.
- Switch on the Super Freeze function to cool down the freezer section quickly.
- Once the temperature in the freezer section is cold enough, you can place the food in the freezer drawers and return the drawers to the freezer.
- Switch off the Super Freeze function as soon as the freezer section has reached a constant temperature of at least 0°F (-18°C).

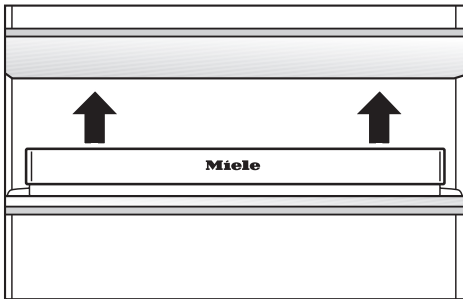
## Active charcoal filter

The prompt to change the active charcoal filter will occur approx. every 6 months.

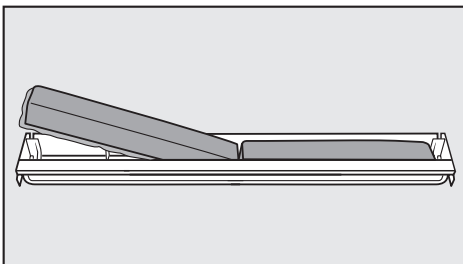


When the display for an active charcoal filter change lights up red, the active charcoal filters must be changed.

### Replacing the active charcoal filters



- Pull the retainer for the active charcoal filters up and off the shelf.



- Remove the two active charcoal filters and insert the new filters into the retainer with the encircling edge down.

- Place the retainer in the middle of the



rear limit stop of any shelf so that it engages.

To confirm the filter change,

- touch the display for an active charcoal filter change for approx. 2 seconds.

The display for an active charcoal filter change goes out and the timer is reset.

### Changing the active charcoal filters at a later date

If you do not have any new active charcoal filters, you can order new ones from your Miele dealer. You can change the active charcoal filters at a later date.



If you are bothered by the red active charcoal filter change display, you can turn it off:

- touch the display for an active charcoal filter change for approx. 2 seconds.

The active charcoal filter change display goes out.

If you changed the active charcoal filters at a later date and the active charcoal filter change display is off, the timer must be reset via the settings mode:



- Touch the ✓ button and keep your finger on the button.



- Now tap once on the ON/OFF button (WITHOUT releasing the ✓ button!).
- Keep your finger on the ✓ button for another 5 seconds until **ε** is displayed.
- Keep tapping the ✓ button until **h** is displayed.
- Tap the ON/OFF button to confirm.
- Now keep tapping the ✓ button until you see **h 2** in the display.
- Tap the ON/OFF button for 2 seconds to confirm.

The timer is reset.

- Keep tapping the ✓ button until **ε** is displayed.
- Tap the ON/OFF button.

You have left the settings mode.

### Tip:

If you are storing strong-smelling food (e.g. very strong cheese),

- place the retainer with the active charcoal filters on the same shelf as the strong-smelling food,
- if necessary, change the active charcoal filters earlier (and reset the timer),
- put additional active charcoal filters (with retainer) in the appliance.

Active AirClean filters and retainers are available from your Miele dealer or from Miele Customer Service.

# Troubleshooting

---

Repairs to electrical appliances must be carried out by qualified professionals. Work performed by unqualified persons can place the user at considerable risk of harm.

## What should I do if . . .

### **. . . the refrigerator or freezer section does not cool?**

- Check that the respective section is switched on. The corresponding temperature display should be lit up.
- Check that the plug is completely inserted in the socket.
- Check whether the circuit breaker of the house wiring system is switched off. If so, contact Miele Customer Service.

### **. . . the door to the freezer section cannot be opened and closed several times in succession?**

This is no cause for concern. Repeated opening and closing of the door can cause strong suction. The door can be opened without difficulty if you wait a few minutes.

### **. . . the temperature in the refrigerator or freezer section is too cold?**

- Set a warmer temperature.
- Check that the doors are properly closed.
- Did you freeze a large quantity of food all at once?  
This causes the appliance to run for a long time, and the temperature drops automatically.
- The Super Cool function has not yet switched off.
- The Super Freeze function has not yet switched off.

### **. . . the compressor is switching on too frequently and for too long?**

- Check whether the ventilation slits are blocked or dusty.
- Check whether the metal coil (heat exchanger) at the rear of the appliance is dusty.
- The doors have been opened frequently, or a large amount of fresh food has been put in all at once for freezing.
- Check that the doors are closing properly.

### **. . . the compressor runs non-stop?**

To save energy, the compressor switches to a lower rpm when less cooling is required. This increases the appliance's running time.



## **... the frozen food thaws because it is too warm in the freezer section?**

- Did the room temperature drop below that for which the appliance was designed?

Increase the room temperature.

The compressor will run less often if the room temperature is too low. Therefore it may become too warm in the freezer section.

## **... food has frozen to the freezer floor or walls?**

Use a blunt instrument (such as a spoon handle) to carefully pry the items off.

## **... the alarm sounds and the alarm off button is flashing?**

A temperature section is too warm because, for instance,

- the appliance door has been opened frequently, or a large amount of fresh food has been put in all at once for freezing.
- the ventilation slits are blocked.

When the problems have been solved, the alarm and the displays go out.

## **... bars light up in the temperature displays?**

Check the temperature display approx. 6 hours after the appliance has been switched on. Only temperatures within the range the appliance can display will be shown.

## **... "\_F" appears in the temperature display?**

This indicates a problem. Call Customer Service.

## **... the active charcoal filter change display lights up red?**

- Change the active charcoal filters. If necessary, order replacement filters from your Miele dealer.

## **... "nA" appears in the temperature display?**

The temperature has risen too high at some point during the past few hours or days because of a power outage.

- While "nA" is illuminated, press the audio alarm off button.

The temperature display will show the warmest temperature recorded in the freezer section during the power outage.

Depending on the temperature, check to see whether the food in the freezer thawed partially or completely. If that is the case, cook the food before refreezing it.

The warmest recorded temperature will appear in the display for approx. 1 minute. Then the display will revert to the actual current temperature in the freezer section.

# Troubleshooting

## ... "dn" appears in the temperature display?

The demo mode is activated.

- Call Customer Service.

## ... the appliance cannot be switched off?

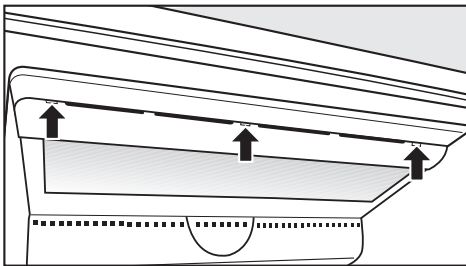
The safety lock is activated.

## ... the interior lighting in the refrigerator section is not working?

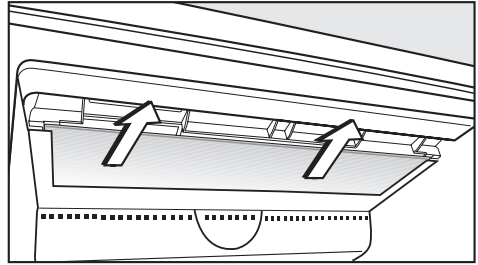
- Was the appliance door left open for a long time? The lighting automatically switches off if the door has been open for approx. 15 minutes.

If that is not the reason, then the interior lighting is defective.

- Unplug the appliance, or turn off the respective circuit breaker of the house wiring system.



- Remove the front panel.



- Pull out the glass plate.
- Unscrew the light bulb and replace it with a new one.

Light bulb specifications:  
110 - 120 V, max. 25 W, E 14 base.

- Slide the glass plate in again.
- Replace the panel and engage the catches.

## ... the floor of the refrigerator section is wet?

The drain hole is blocked.

- Clean the condensate channel and the drain hole.

If a malfunction cannot be corrected using this troubleshooting guide, please contact Miele Customer Service.

To prevent cold from escaping, open the appliance doors as little as possible until the malfunction has been corrected.

| <b>Normal noises</b>    | <b>What causes them?</b>   |
|-------------------------|--|
| <b>Brrrrr...</b>        | Humming noise made by the motor (compressor). This noise may get louder for brief periods, whenever the motor kicks in.            |
| <b>Blubb, blubb....</b> | A gurgling noise can be heard when coolant is circulating through the pipes.   |
| <b>Click....</b>        | Clicking sounds occur whenever the thermostat switches the motor on or off.  |
| <b>Sssrrrrr....</b>     | In multi-zone and frost-free appliances, the movement of air circulating through the appliance can sometimes just barely be heard. |

Please bear in mind that a certain amount of noise is unavoidable (from the compressor, and the coolant circulating through the system).

| <b>Noises that you can easily rectify</b> | <b>What causes them, and what can you do about them?</b>  |
|---|---|
| <b>Rattling, vibrating</b>                | The appliance is uneven: Balance the appliance using a level, and by raising or lowering the screw feet underneath the appliance, or placing something underneath them. |
|   | The appliance is touching another appliance or piece of furniture: Move it away.  |
|   | Drawers, baskets, or shelves are unstable or sticking: Check all removable items and refit them correctly.  |
|   | Bottles or containers are unstable or knocking against each other: Separate them.   |
|   | The transport cable clips are hanging loose at the back of the appliance: Remove the clips.   |

## **After sales service**

---

In the event of a fault which you cannot easily fix yourself, please contact the Miele Technical Service Department at the address on the back of this booklet.

When contacting the Technical Service Department, please quote the model and serial number of your appliance given on the data plate inside the appliance.

 Avoid the risk of electrical shock

- Plug into a grounded 3-prong outlet.
- Do not move the ground plug.
- Do not use an adapter.
- Do not use an extension cord.

Failure to follow these instructions can result in death, fire, or electrical shock.

Improper connection of the equipment grounding conductor may result in electric shock. If you are in any doubt as to whether the appliance has been properly grounded, have the appliance checked by a qualified electrician or service technician.

Installation, repairs and other work by unqualified persons could be dangerous. The manufacturer will not be held responsible for damage or injury arising from unauthorized work.

Before installing the appliance, verify that the voltage, load and circuit rating information found on the data plate match the household electrical supply.

The appliance is supplied with a UL-listed, 3-wire power cord and NEMA 5-15 P plug ready for connection to a 120 V, 60 Hz supply. The fuse rating is 15 amps.

The appliance requires a 3-wire receptacle.

The receptacle must be installed by a licensed electrician only.

In the case of side-by-side installations, a separate outlet must be used for each appliance.

Ideally, the power outlet should be next to the appliance and easily accessible. Do not connect the appliance to the power supply by an extension cord. Extension cords do not guarantee the required safety of the appliance (danger of overheating).

If any changes are needed to the household wiring or power supply, this work must be performed by a qualified electrician.

If there are any questions regarding the electrical connection of this appliance to the power supply, please consult a licensed electrician or call the Miele Technical Service.

 1-800-565-6435

# Installation information

---

Do not place any devices that produce heat (such as a toaster or microwave) on top of the appliance. This would increase the energy consumption of the appliance!

This fridge/freezer should not be placed side-by-side with a second model. Because the appliance does not have heated side walls, a side-by-side arrangement can lead to the build-up of condensation water. Contact your dealer for advice.

## Location

The appliance should not be installed directly next to a heat source (such as a kitchen range or a heater) or in direct sunlight. The higher the ambient temperature, the longer the appliance will run and the higher the energy consumption.

Choose a dry, well-ventilated room for installation.

## Climate range

The appliance is designed for use within a certain climate range (room temperature range) and should not be used outside this range. The climate range is stated on the data plate inside the appliance.

---

| Climate range | Room temperature |
|---------------|------------------|
| SN            | +10 °C to +32 °C |
| N             | +16 °C to +32 °C |
| ST            | +16 °C to +38 °C |
| T             | +16 °C to +43 °C |

---

If the room is too cold, it will cause the cooling system in the appliance to switch off for too long. This may lead to higher temperatures in the appliance and the frozen food may even start thawing!

## Proper ventilation

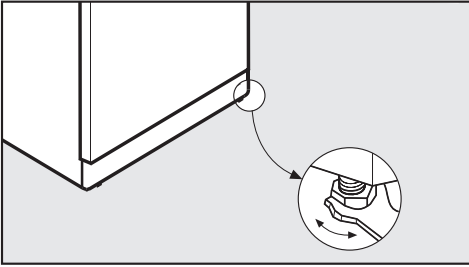
The air behind the appliance gets warm. In order to ensure adequate ventilation, you must make sure that the ventilation slits are not covered or blocked in any way.

Also, the ventilation slits must be dusted/cleaned on a regular basis.

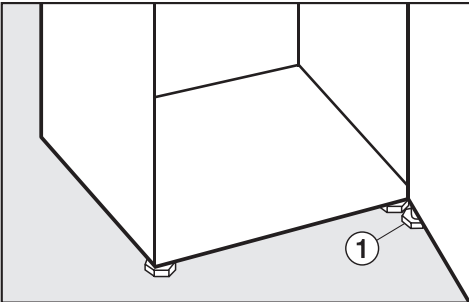
## Installation

- First remove any cable clips from the rear of the appliance.
- Check that all the parts on the rear of the appliance are free to move. Remove any obstructions.
- Gently slide the appliance into the desired location.
- The rear of the appliance can be directly against the wall.

## Adjustments



- Use the wrench provided to adjust the feet as needed, so that the appliance is level.

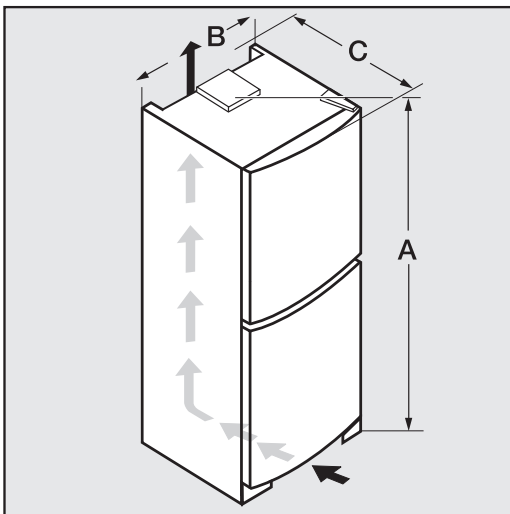


- If necessary, unscrew the foot ① from the hinge bracket in order to support the appliance door.

# Installation information

---

## Appliance dimensions



|                        | <b>A</b> | <b>B</b> | <b>C</b> |
|------------------------|----------|----------|----------|
| <b>KFN 14943 SD ed</b> | 2020     | 750      | 630      |



# Changing the door hinging

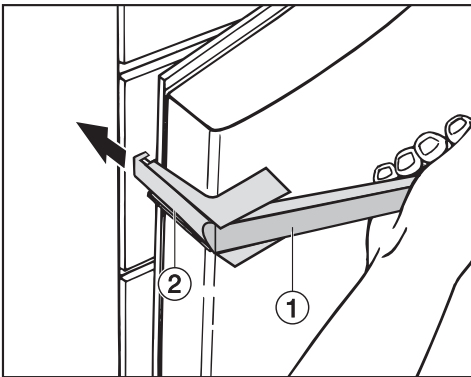
The appliance comes with right-hand hinging. If left-hand door hinging is preferred, then follow these instructions to change the door hinge:

## You will need the following tools:

- a crosstip screwdriver,
- a flathead screwdriver,
- various sizes of Torx screwdrivers,
- a fork wrench.

Always change the door hinging with the assistance of another person.

## Removing the door handles:



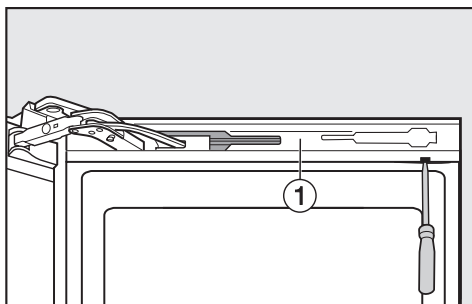
- When you pull on the door handle ①, the sidebar ② moves backwards.
- Pull the sidebar ② backwards out of the track.
- Now loosen the 4 screws (Torx 15) in the mounting plate and remove the handle.
- Remove the covers from the opposite side and place them on the holes that are now vacant.

## Changing the door hinging

Before changing the hinging, remove any items of food from the shelves in the appliance door.

### Removing the top soft-close mechanism:

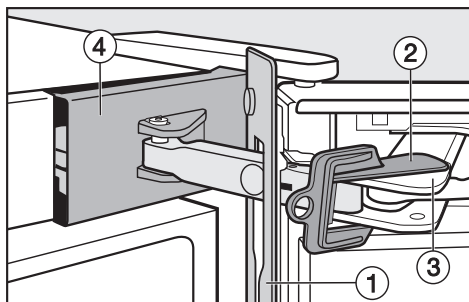
- Open the top door of the appliance.



- Loosen the panel ① from the soft-close mechanism: From below, slide a flathead screwdriver into the recesses, then slowly and carefully lift off the panel.

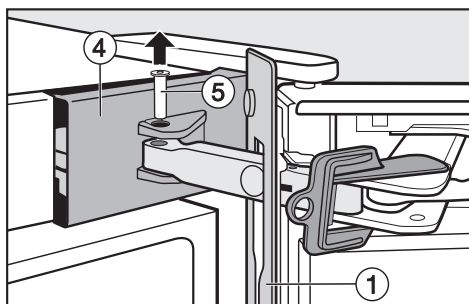
Be careful not to damage the door seal.

If the door seal is damaged, the appliance door may not close properly and there will not be enough refrigeration!



- Slide the panel ① in the direction of the appliance and leave it hanging between the door and the appliance.
- Place the securing device ② (supplied with the appliance) on the soft-close mechanism ③ so that it engages.

With the securing device in place, the joint cannot snap shut. Do not remove the securing device until instructed to!

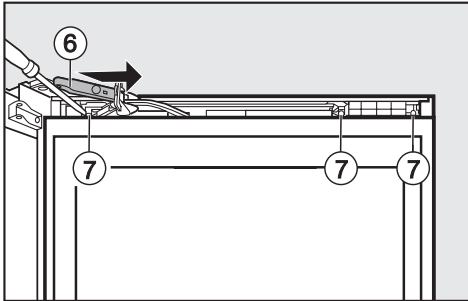


- Using a flathead screwdriver, carefully lift the top and the bottom of the cover ④ from the retainer.
- Push the pin ⑤ up and out using a flathead screwdriver.

## Changing the door hinging

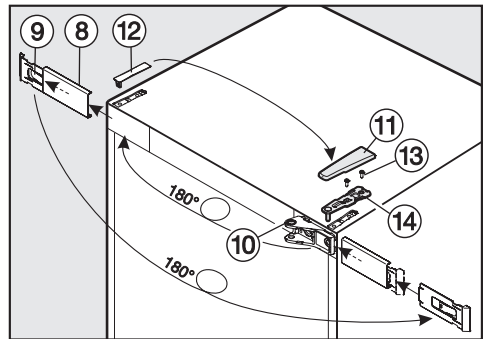
- Remove the cover ④.

Now the soft-close mechanism and the appliance are no longer connected.



- Remove the panel ①.
- Push the shock absorber arm ⑥ as far as possible towards the handle side.
- Loosen the three screws ⑦ on the soft-close mechanism and the spacer.
- In the middle, pry out the housing with the soft-close mechanism using a flathead screwdriver.
- Then, pry the housing with the soft-close mechanism out of the retainer from the appliance side.
- Lay the soft-close mechanism aside.
- Push out the spacer towards the hinge side.
- Lay the spacer aside.

### Removing the top door of the appliance:



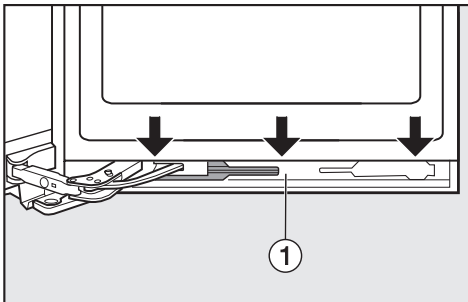
- Loosen the cover ⑧ by carefully sliding a flathead screwdriver from below into the recess.
- Remove the cover ⑧ together with the mounting bracket ⑨.
- Loosen the mounting bracket ⑨ from the cover ⑧ by pushing it slightly to the left and then removing the cover plate towards the front.
- Turn the mounting bracket ⑨ 180°.
- Place the cover ⑧ onto the front of the mounting bracket ⑨ and push it to the right. The writing must be visible.
- Unscrew the bearing ⑩ mechanism, turn it 180° and replace it on the opposite side. If necessary, pre-punch the screw holes.
- Remove the top cover ⑪ by pushing it from back to front and lifting it up.
- Remove the cover ⑫ upwards.

# Changing the door hinging

Caution! The top door of the appliance is no longer secured as soon as the hinge bracket is removed when following the instructions below!

- Close the top door of the appliance.
- Loosen the screws ⑬ on the top hinge bracket ⑭ and remove the hinge bracket by pulling up.
- Carefully lift and remove the top door of the appliance and set aside.
- Make sure that the bearing pin in the middle of the appliance stays in place, otherwise the bottom door of the appliance has no hold!
- Engage the cover ⑧ together with the mounting bracket ⑨ on the opposite side.
- Now place the cover ⑫ on the other side.

## Removing the bottom soft-close mechanism:

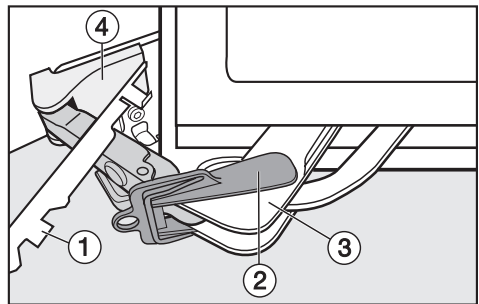


- Open the bottom door of the appliance.

- Loosen the panel ① of the soft-close mechanism: Slowly pry the panel off from the top.

Be careful not to damage the door seal.

If the door seal is damaged, the appliance door may not close properly and there will not be enough refrigeration!

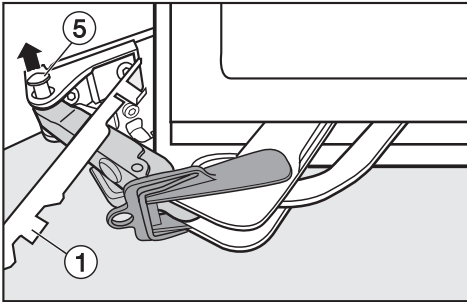


- Slide the panel ① in the direction of the appliance and leave it hanging between the door and the appliance.
- Place the securing device ② (supplied with the appliance) on the soft-close mechanism ③.

With the securing device in place, the joint cannot snap shut. Do not remove the securing device until instructed to!

- From the side, carefully lift off the cover ④ using a flathead screwdriver.
- If necessary, lift the appliance backwards slightly with the assistance of another person.

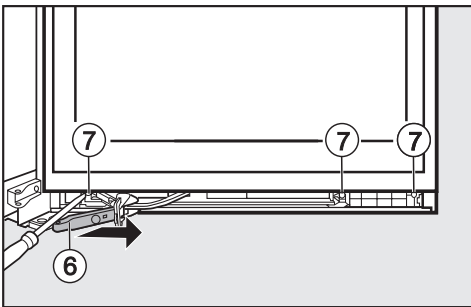
## Changing the door hinging



- Push the pin ⑤ up and out.

Now the soft-close mechanism and the appliance are no longer connected.

- Remove the panel ①.

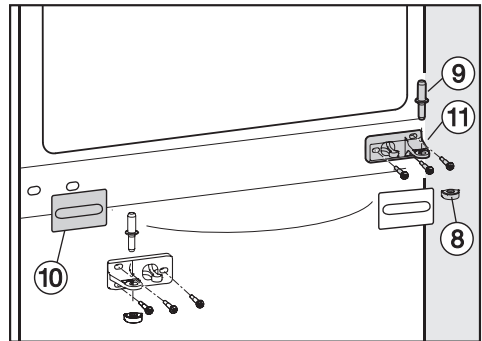


- Push the shock absorber arm ⑥ as far as possible towards the handle side.
- Loosen the three screws ⑦ on the soft-close mechanism and the spacer.
- In the middle, pry out the housing with the soft-close mechanism using a flathead screwdriver.
- Then, pry the housing with the soft-close mechanism out of the retainer from the appliance side.
- Lay the soft-close mechanism aside.
- Push out the spacer towards the hinge side.

- Lay the spacer aside.

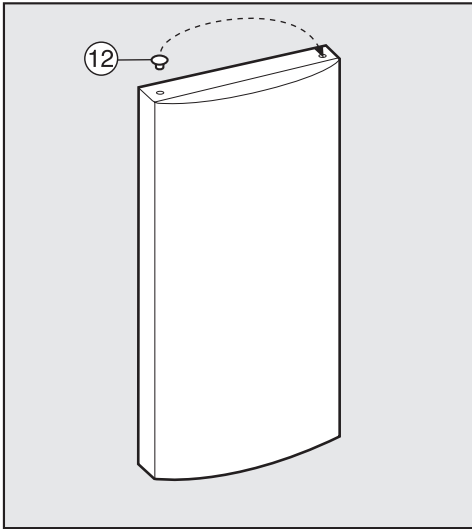
### Removing the bottom door of the appliance:

- Close the bottom door of the appliance.



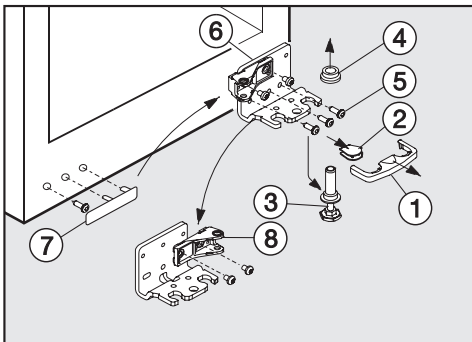
- Pull the bearing pin ⑨ in the middle of the appliance up and out.
- Carefully lift and remove the bottom door of the appliance and set aside.
- Pull the cover ④ off.
- Unscrew the hinge bracket ⑤, rotate it 180°, then screw it onto the opposite side.
- Turn the plastic cap ⑧ 180° and replace it on the hinge bracket ⑪ in the middle.
- Now place the cover ⑫ on the other side.

# Changing the door hinging



- Lift the plugs 12 out of the door bearing bushing in the appliance door and place it on the other side.

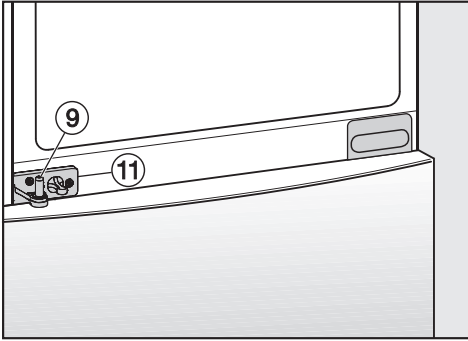
## Mounting the bottom door of the appliance:



- Remove the cover 1 towards the front.
- Pull the cover 2 off.
- Screw the adjustment foot at the bearing pin 3 completely in.

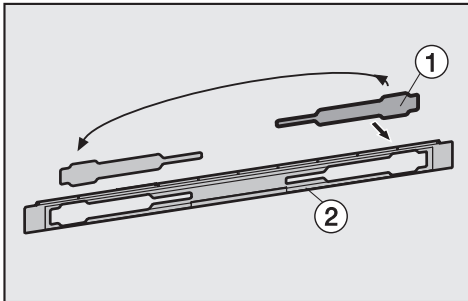
- With the assistance of another person, carefully tilt the appliance backwards and pull the bearing pin 3 down and out.
- Pay attention to the hinge bushing 4.
- Loosen the screws 5 and remove the hinge bracket 6.
- Remove the cover 7 and loosen the screw. Attach both to the other side.
- Screw the hinge bracket 6 onto the other side with the two **outer** screws. Do not use the **middle** screw; this allows later alignment of the appliance door using the outer, elongated holes!
- Unscrew the bearing part 8 from the hinge bracket 6, turn it 180° and screw it into the opposite hole of the hinge bracket.
- Now place the cover 2 on the other side.
- With the assistance of another person, carefully tilt the appliance backwards and insert the bearing pin 3 into the hinge bracket 6 from below. The groove in the bottom of the hinge bracket faces forwards.
- Place the hinge bushing 4 onto the bearing pin 3.
- Put the cover 1 on.
- Place the lower door of the appliance onto the bearing pin 3 from above.
- Close the bottom door of the appliance.

## Changing the door hinging

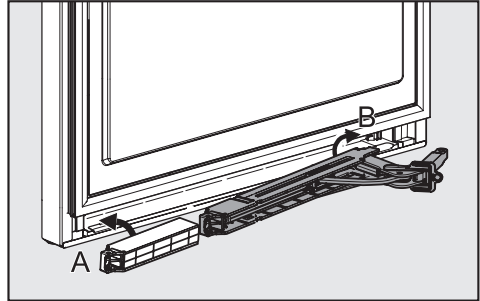


- Put the bearing pin ⑨ in the middle of the appliance through the hinge bracket ⑪ into the bottom door of the appliance.

### Mounting the bottom soft-close mechanism:

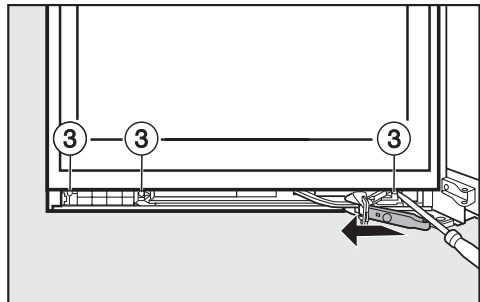


- Remove the cover ① from the panel ②, turn it 180° and replace it on the other side.



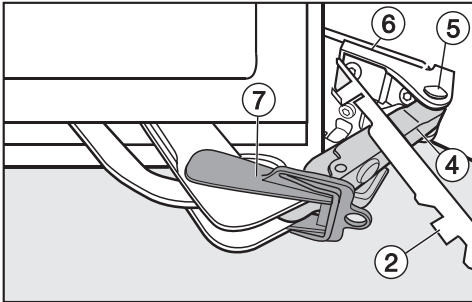
- Hook the spacer on the handle side into the retainer (A).
- Hook the soft-close mechanism into the retainer (B) on the appliance side.

Push both parts outwards until they engage.



- With the three screws ③, first screw on the spacer on the handle side and then the soft-close mechanism on the appliance side.

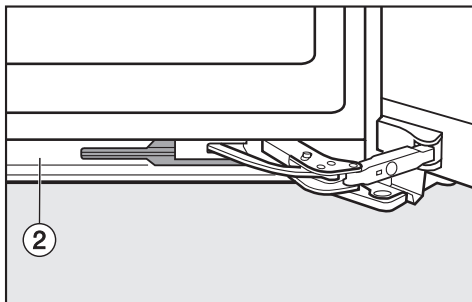
# Changing the door hinging



- Hang the panel (2) on the shock absorber arm (4).
- Pull the shock absorber arm (4) towards the hinge bracket and insert the pin (5) from the top so that the square rests in the recess.
- Put on the cover (6) in such a way that it engages.

Take care that the cover (6) sits correctly to ensure that the door closes properly and the pin is secured.

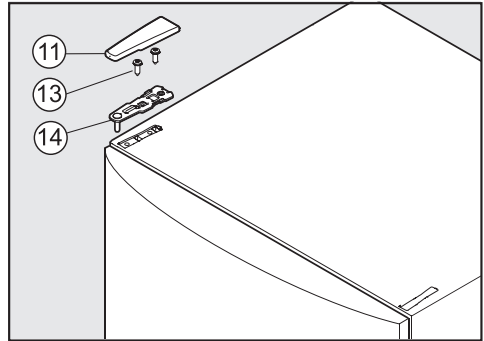
- Remove the securing device (7).



- Place the panel (2) onto the soft-close mechanism from above, engaging it at the bottom first and then at the top.
- Close the bottom door of the appliance.

## Mounting the top door of the appliance:

- Place the top door of the appliance onto the bearing pin (9) in the middle of the appliance.

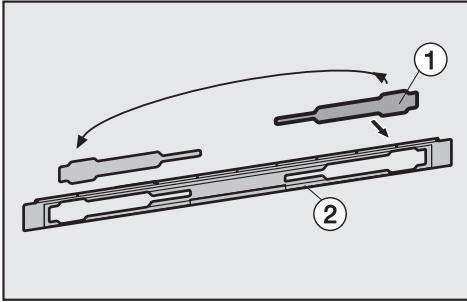


- Close the top door of the appliance.
- Put the hinge bracket (14) on the opposite side and fasten it with the screws (13). The screw holes may have to be pre-punched or use a power screwdriver.
- Now place the cover (11) on the other side.
- Align the appliance door with the appliance housing via the elongated holes in the bottom hinge bracket. Tighten the screws.

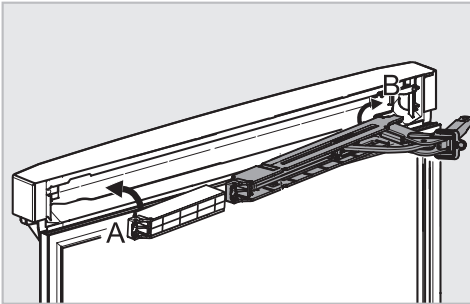


## Changing the door hinging

### Mounting the top soft-close mechanism:

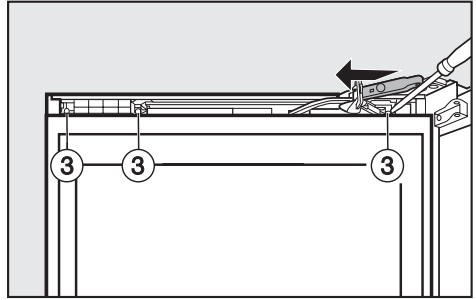


- Remove the cover ① from the panel ②, turn it 180° and replace it on the other side.

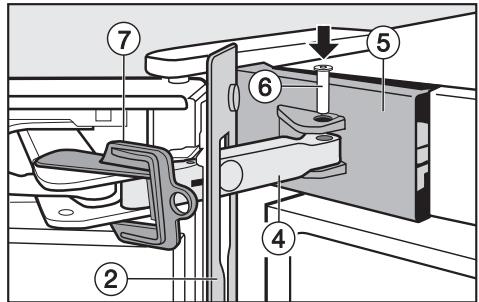


- Hook the spacer on the handle side into the retainer (A).
- Hook the soft-close mechanism into the retainer (B) on the appliance side.

Push both parts outwards until they engage.



- With the three screws ③, first screw on the spacer on the handle side and then the soft-close mechanism on the appliance side.

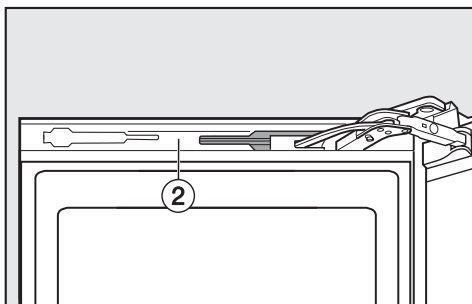


- Hang the panel ② on the shock absorber arm ④.
- Push the cover ⑤ on from the side so that the openings for the pin ⑥ are on top of each other.
- Pull the shock absorber arm ④ towards the hinge bracket and insert the pin ⑥ from the top so that the square rests in the recess.
- Then engage the cover ⑤ completely.

Take care that the cover ⑤ sits correctly to ensure that the door closes properly and the pin is secured.

# Changing the door hinging

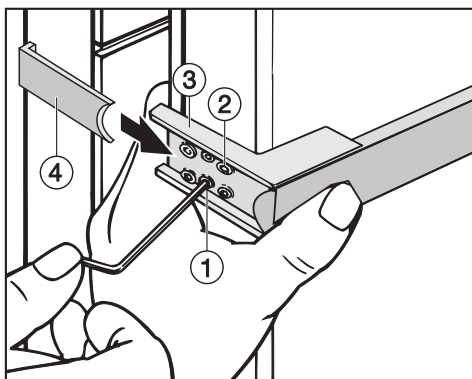
- Remove the securing device ⑦.



- Place the panel ② onto the soft-close mechanism from above, engaging it at the bottom first and then at the top.
- Close the top door of the appliance.

## Remounting the door handles:

The following instructions must be followed when attaching the door handle, otherwise the door seal could be damaged.



- First, loosely screw the door handle onto the opposite side with the two front screws ①.

The mounting plate ③ must be positioned on the door housing in such a way that when the door is **closed** the mounting plate is aligned with the outside wall of the appliance. If this alignment is off, you can correct it by

- turning both of the pre-mounted set screws ① with a wrench until the mounting plate ③ is at the correct angle.
- Tighten all 4 screws ②.
- From the appliance side, slide the sidebar ④ onto the guide for the mounting plate, until it audibly engages.

Make sure that the sidebar ④ does not come in contact with the door seal when the door is opened. This would damage the door seal over time.

If you see that the sidebar is coming into contact with the door seal,

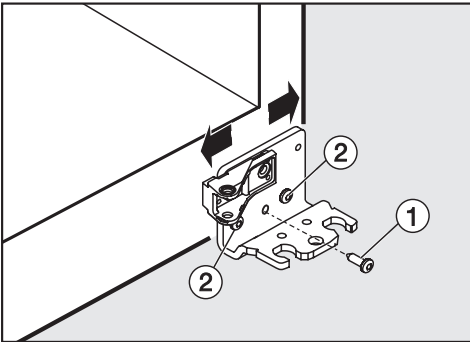
- adjust the mounting plate ③ again using the set screws ① until the mounting plate and the sidebar ④ are at the correct angle and the sidebar no longer touches the seal when the door is opened.

## Aligning the appliance doors

The appliance doors can be aligned with the appliance housing afterwards.

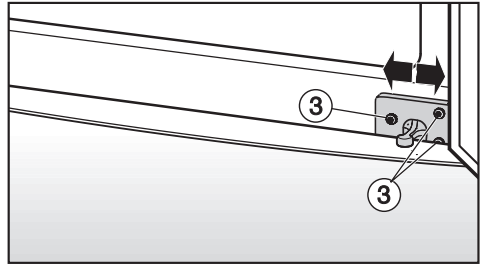
In the following figure, the appliance door is not closed so that the individual steps can be seen more clearly.

Align the **bottom door** in the bottom hinge bracket via the outer, elongated holes:



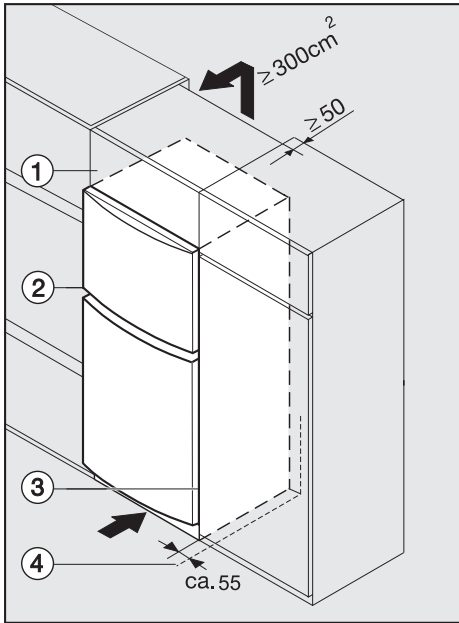
- Remove the middle screw ① from the hinge bracket.
- Loosen the two outer screws ② slightly.
- Align the appliance door by moving the hinge bracket to the right or left.
- Tighten the screws ②; the screw ① does not need to be screwed on again.

Align the **top door** via the elongated holes in the middle hinge bracket:



- Loosen the three screws ③ slightly.
- Align the appliance door by moving the hinge bracket to the right or left.
- Tighten the screws ③.

# Installing the appliance



- ① adapter cabinet
- ② appliance
- ③ kitchen cabinet
- ④ wall

The appliance can be installed in any fitted kitchen. To match the appliance to the height of the fitted kitchen, a suitable adapter cabinet ① can be installed over the appliance.

A ventilation gap of at least 2 inches (50 mm) must be provided between the adapter cabinet and the kitchen wall. The ventilation cross-section below the room ceiling must be at least 46 in<sup>2</sup> (300 cm<sup>2</sup>) so that warm air can escape without obstruction. Otherwise the appliance has to work harder, which results in increased energy consumption.

The ventilation cross-sections must not be blocked or covered in any way. They also need to be dusted/cleaned on a regular basis.

If installing with standard kitchen cabinets (max. depth 580 mm), the appliance can be set up directly next to the kitchen cabinet. In that case the side of the appliance door would project 34 mm and the middle of the appliance 55 mm beyond the front of the kitchen cabinet. This allows the appliance door to open and close properly.

If the appliance is installed **next to a wall** ④, a gap of at least 55 mm is needed on the hinge side between the wall ④ and the appliance ②. This allows space for the handle when the door is open.









## **Miele Limited**

### **Headquarters and Showroom**

161 Four Valley Drive

Vaughan, ON L4K 4V8

Phone: 800-643-5381

905-660-9936

Fax: 905-532-2290

[www.miele.ca](http://www.miele.ca)

[professional@miele.ca](mailto:professional@miele.ca) (commercial enquiries)

### **MieleCare National Service**

Phone: 800-565-6435

905-532-2272

Fax: 905-532-2292

[customercare@miele.ca](mailto:customercare@miele.ca) (general and technical enquiries)

