

CITRUS JUICERS Nos. 11 - 38 - 52

USER AND MAINTENANCE MANUAL



IMPORTANT: documents included in this manual to be kept:

- "CE" COMPLIANCE DECLARATION
- WARRANTY CERTIFICATE



N°11



N°52



N°38

Coffee grinders - Fruit juicers - Mixers - Blenders - Drinks dispensers - Planetary mixers
Cheese graters - Ice crushers - Miners - Vegetable slicers – Dough mixer
Moulins à café - Presse-fruits - Mixers - Blenders - Distributeurs de boissons - Batteurs
mélangeurs - Pétrin - Râpes à fromage - Broyeurs à glaçons - Hache-viande - Coupe-légumes

MODELES DEPOSES FRANCE ET INTERNATIONAL
INTERNATIONALLY PATENTED MODELS



CONTENTS

“CE” COMPLIANCE DECLARATION3

IMPORTANT SAFEGUARDS4

 IMPROPER USE.....4

 ELECTRICAL CONNECTION:.....4

 USING FOR THE 1st TIME:.....4

 RECYCLING THE PRODUCT AT THE END OF ITS SERVICE LIFE5

YOUR CITRUS JUICER Nos. 11- 38 - 526

Using the CITRUS JUICER6

 USING:.....6

 CLEANING:.....6

 MAINTENANCE7

 Spare parts7

TROUBLESHOOTING.....7

 The appliance does not start:7

 The appliance stops due to motor overheating.....7

 The appliance stops further to an overload:7

TECHNICAL SPECIFICATIONS8

 ELECTRICAL WIRING DIAGRAMS.....9

 Wiring diagram 220-240V 50/60Hz9

 Wiring diagram 220-240V 50/60Hz10

 Wiring diagram 100-120V 50/60Hz11

 FIGURES12

WARRANTY CERTIFICATE13

APPLIANCE IDENTIFICATION PLATE13



"CE" COMPLIANCE DECLARATION

THE MANUFACTURER:

SANTOS sas - 140-150, Av. Roger SALENGRO 69120 VAULX-EN-VELIN (LYON)
FRANCE

declares that the appliance intended for the professional market described below:

Description: **CITRUS JUICERS**
Type number: **11, 11C, 38, 38C, 52, 52C**

complies with:

- the statutory provisions defined in appendix 1 of the European "machines" directive **n°2006/42/CE** and the national legislation transposing it
- the statutory provisions of the following European directives and regulations:
 - N° 2006/95/CE (low voltage directive)
 - N° 2004/108/CE (EMC directive)
 - No. 2002/95/CE (RoHS directive)
 - No. 2002/96/CE (WEEE directive)
 - N° 1935/2004/CE (regulation) relating to materials and articles intended to come into contact with foodstuffs

Harmonised European standards used to give presumption of conformity with the essential requirements of the above-mentioned directives:

- NF EN ISO 12100 -1 and 2:2004: Safety of machinery - General principles for design
- NF EN 60204-1: 2006 : Safety of machinery - Electrical equipment of machines- General requirements
- NF EN 1672-2: 2005, Food processing machinery – Basic concepts – Hygiene requirements
- NF EN 60335-1: 2003 : Household and similar electrical appliances. Safety.
- NF EN 60335-2-64 :2004 : Particular requirements for commercial electric kitchen machines

Drawn up in VAULX-EN-VELIN on: **01/01/2010**

Signatory's position: **CHIEF EXECUTIVE OFFICER**

Signatory's name: **Aurélien FOUQUET**

Signature:

IMPORTANT SAFEGUARDS

When using, cleaning or maintaining the machine, always follow these instructions:

Read all instructions

Note: You will find it easier to understand the next few paragraphs if you refer to the diagrams at the end of this manual.

IMPROPER USE



1. Do not use this appliance to press any food other than limes, lemons, oranges and grapefruit.
2. The appliance should neither be cleaned in a jet of water nor with a high pressure spray.
3. The base (4) must not be immersed in water.
4. For electrocution risk protection reasons, never plunge the base into water or any other liquid.
5. Unplug the appliance before carrying out any work on it: cleaning, maintenance or repair.
6. The use of spare parts other than certified SANTOS original parts is prohibited.

ELECTRICAL CONNECTION:

The appliance is available in with a choice of two voltages for the power supply

- 220-240V 50/60 Hz single phase
- 110-120V 50/60 Hz single phase

Line protection: the appliance should be connected to a standard 2-pole + earth electric socket. The installation should be fitted with an RCD and a fuse rated at 16A. **The appliance must be earthed**

CARE:



- Before connecting the machine, check that the mains electrical voltage is the same as the voltage for your appliance. Its value is shown:
 - either on the identification plate under the machine.
 - or on the identification plate on the last page of this manual.
- If the power cable (10) is damaged, it should be replaced by a special assembly available from approved SANTOS dealers or from SANTOS.

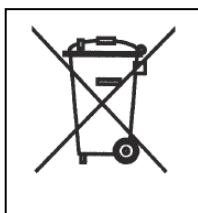
CARE: Make sure that the on / off switch (6) is on **0 position** before plugging the power cord (7) into the mains supply socket (Fig.A).

USING FOR THE 1st TIME:

Carefully clean all parts of the machine in contact with the food (Fig. A).

- Remove the anti-splash dome (8) {model no 52}.
- Remove the cone (1) by pulling it upwards.
- Remove the bowl (2), the pulp grating (9) {model no 52} and the trim (3) {model nos. 11 and 38}.
- Wash the parts with a standard washing up liquid or in the dishwasher.

RECYCLING THE PRODUCT AT THE END OF ITS SERVICE LIFE



This equipment is marked with the selective sorting symbol relating to wastes from electrical and electronic equipment. It signifies that this product should be taken over by a selective collection system conforming to the Guideline 2002/96/EC (WEEE) – part Professional Equipment – so that it can be either recycled or dismantled in order to reduce any impact on the environment.

For more information, please contact your Retailer or the SANTOS.

For eliminating or recycling components of equipment, please contact a specialized company or contact SANTOS.

The electronic products not undergoing a selective sorting are potentially dangerous for the environment.

The damaging materials should be eliminated or recycled according to the regulations in force.



YOUR CITRUS JUICER Nos. 11- 38 - 52

- Citrus juicers nos. 11 – 38 – 52 are especially designed for bars, cafés, hotels, restaurants, cocktail bars, institutions, fresh fruit juice bars, etc.
- The appliances nos. 11 and 38 are comprised of an aluminum motor unit, a juice bowl and 3 engineered plastic pressing cones (2 pressing cones for model N°38).
- The appliance no. 52 is comprised of an aluminum motor unit, a powerful motor for intensive use, a stainless steel bowl, 3 plastic pressing cones and a plastic anti-splash dome.
- Citrus juicers nos. 11 – 38 – 52 are designed to press limes, lemons, oranges or grapefruit.
- They are ideal for preparing: fresh lemon, orange or grapefruit juice or as a basis for preparing fruit cocktails.

Using the CITRUS JUICER

USING:

Caution: the fruits used must be washed carefully before being pressed.

Assembly and preparation:

1. Place the trim (3) on the bowl (2) {models nos. 11 and 38}.
2. Place the bowl (2) on the base (4).
3. Place the pulp grating (9) in the bowl.
4. Place the cone (1) on the motor shaft (5).
5. Place the anti-splash dome (8) on the bowl (2) {model no 52}.
6. Cut the citrus fruit in two halves.
7. Place a glass level with the spout on the bowl (2).
8. Start the appliance by putting the On / Off switch (6) on "1".
9. Press the citrus fruit halves one after the other.
10. When you have finished using it, stop the appliance by putting the On / Off switch (6) on "0".

CLEANING:

IMPORTANT :

- **In every case, stop the appliance and unplug the appliance's power cord (7).**

It is recommended to clean the appliance as soon as you have finished using it. Cleaning will be easier if you do not wait until the pulp has dried in the bowl (2), on the anti-splash dome (8), the cone (1) or the pulp grating (9). The base (4) is to be cleaned with a soft damp sponge, then dried.

MAINTENANCE

Before any servicing of the appliance, it is essential to unplug the appliance from the mains supply (7).

This machine requires no particular maintenance because the bearings are lubricated for life.

If servicing is necessary to replace any parts such as the electrical components or any others, refer to the list of components (see the exploded view at the end of the manual).

Spare parts



IMPORTANT: Use of spare parts other than certified original SANTOS parts is prohibited

For **all spare part orders** (see references in the exploded view at the end of the manual), state:

- **the type,**
- **the machine serial number and**
- **the electrical specifications (16)**

recorded under the machine.

TROUBLESHOOTING

Identifying the cause of appliance stoppage precisely.

The appliance does not start:

- Check: the mains supply, the condition of the power cord (7).

The appliance stops due to motor overheating: (the motor unit is hot)

The motor is protected by a built-in thermal cutout. In the event of overheating, the motor stops.

- Set the On / Off switch (6) to **0** position, disconnect the plug (7).
- Wait until the motor cools down (20 to 45 minutes), reconnect the plug (7) then press the On / Off switch (6) (position 1).

If the problem persists, switch off the power supply to the appliance (unplug the cord from the mains socket (7)) and call in the maintenance service or contact a SANTOS-approved dealer.

The appliance stops further to an overload:

If the motor stalls (due to excessive pressing), it can heat very quickly and stops by overload protection.

TECHNICAL SPECIFICATIONS

Model		N° 11		N° 38		N° 52	
Supply voltage	(V)	220-240	100-120	220-240	100-120	220-240	100-120
Frequency	(Hz)	50/60	50/60	50/60	50/60	50/60	50/60
Motor: Nominal							
Power input	(W)	130	155	130	155	230	260
Speed :	(rpm)	1450 to 50Hz		1450 to 50Hz		1450 to 50Hz	
	(rpm)	1700 to 60Hz		1700 to 60Hz		1700 to 60Hz	
Dimensions : Height	(mm)	350		350		480	
Width	(mm)	200		200		230	
Depth	(mm)	300		300		300	
Clearance height beneath the spout	(mm)	125		135		200	
Weight: Net weight	(kg)	5		5		10	
Packaged weight	(kg)	5.6		5.6		11	
Noise: (2)	(dBA)	65		65		65	

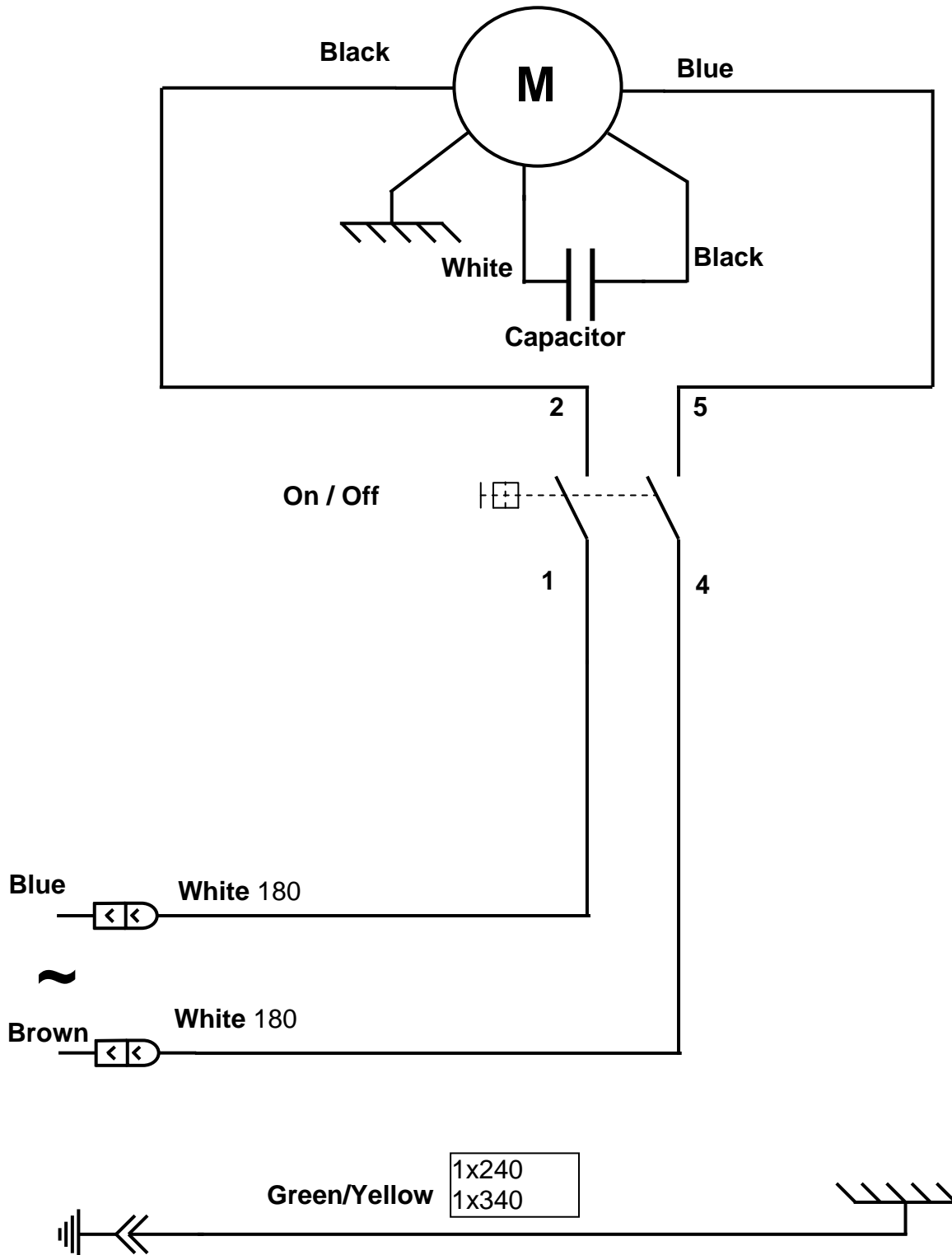
- (1) These ratings are provided as a rough guide. The exact electrical specifications can be found on the rating plate.
- (2) Noise level measured in sound pressure appliance in operation 1 m from its axis in accordance with standard EN 31201.

MARK	Description
1	Pressing cone
2	Bowl
3	Trim
4	Base
5	Motor shaft
6	On / off switch
7	Plug / power supply cord
8	Anti-splash dome
9	Pulp grating

ELECTRICAL WIRING DIAGRAMS

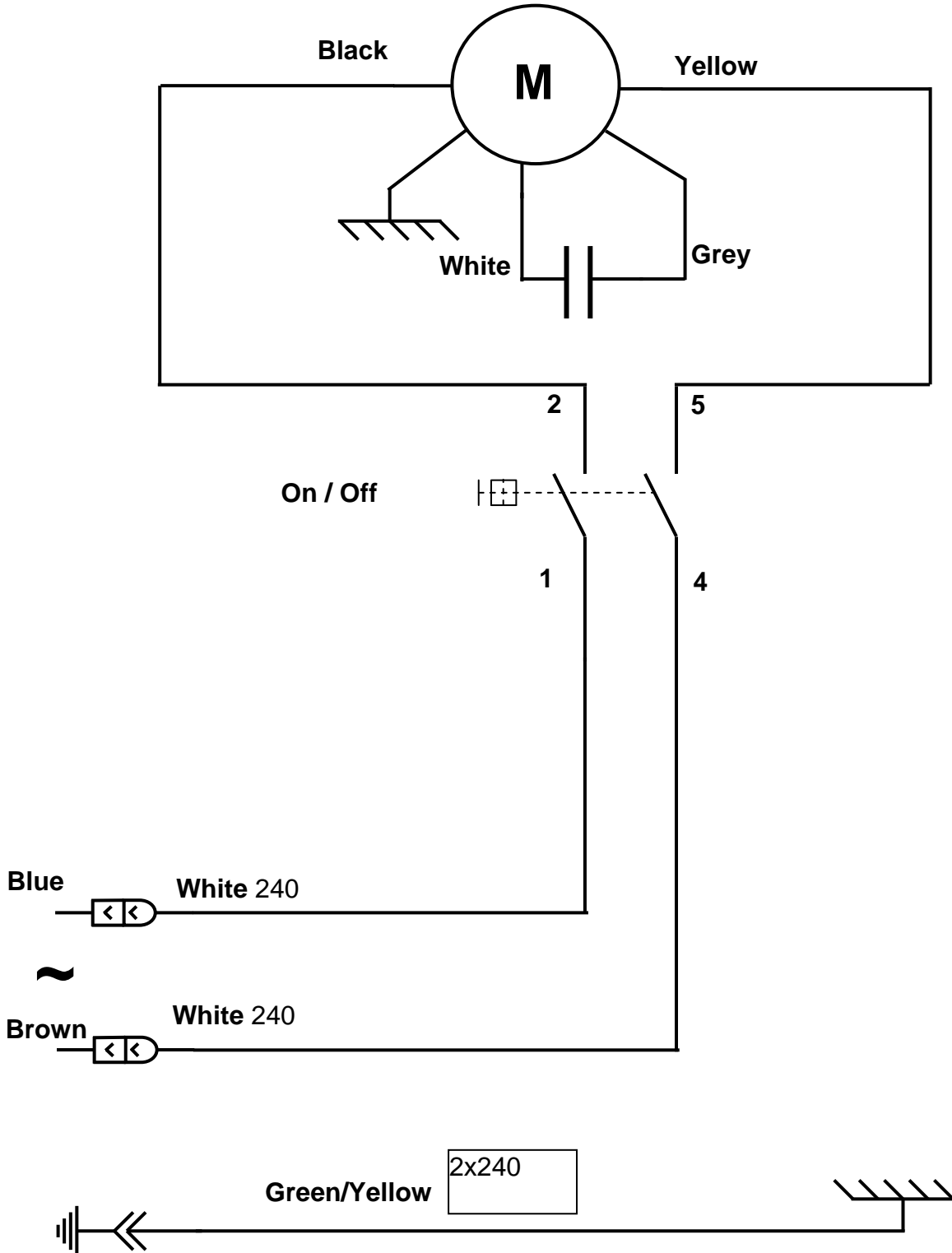
Models nos. 11 and 38:

Wiring diagram 220-240V 50/60Hz



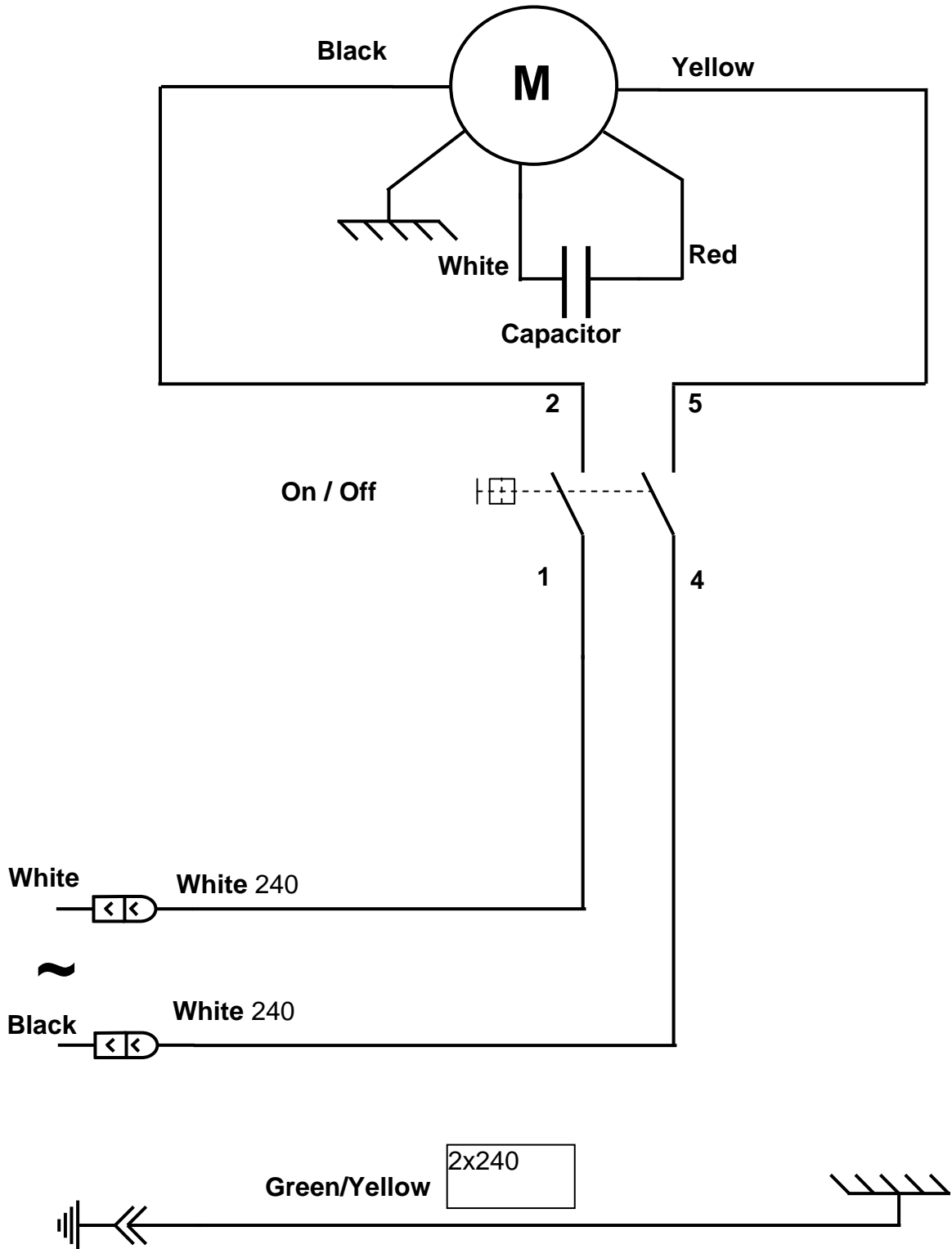
Model no 52:

Wiring diagram 220-240V 50/60Hz



Models nos. 11, 38 and 52:

Wiring diagram 100-120V 50/60Hz



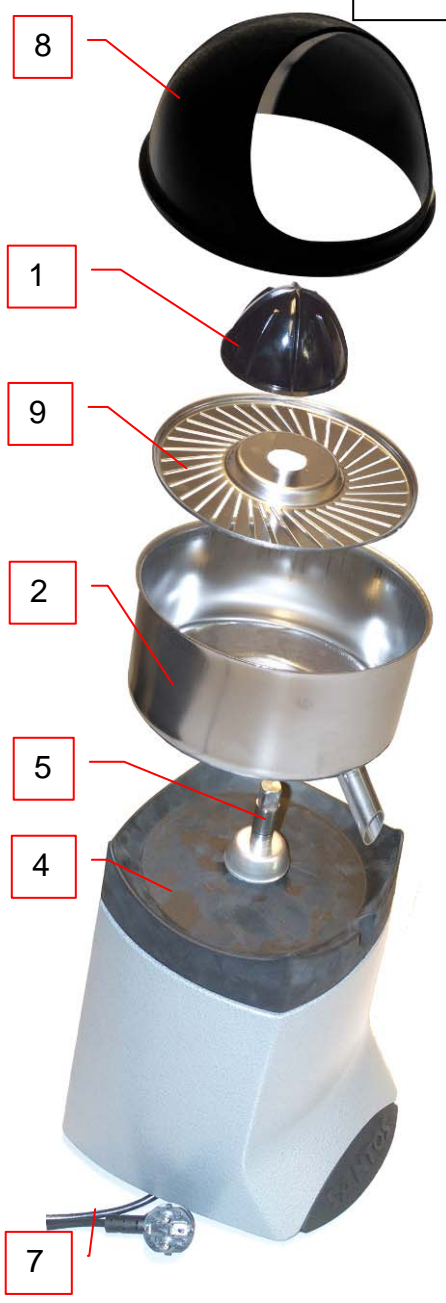
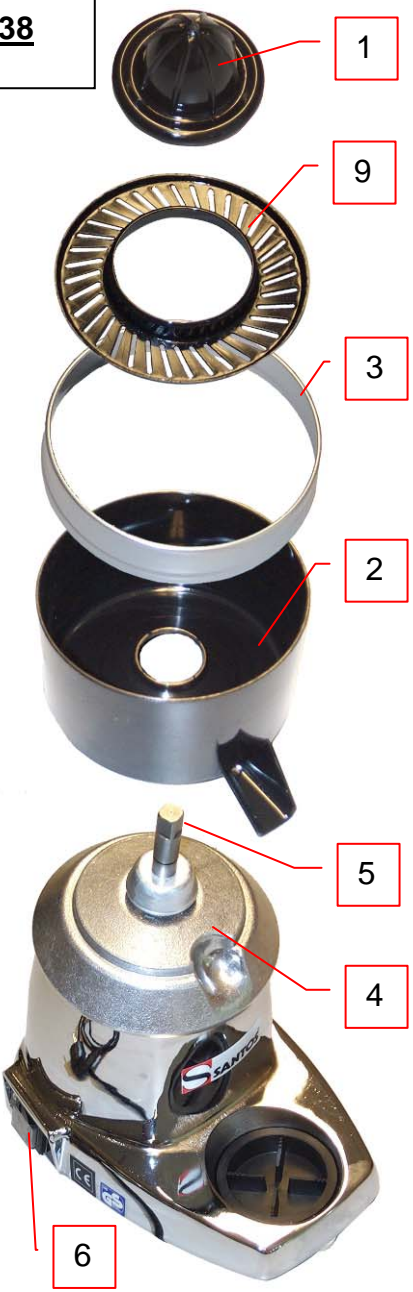


**Model N°11
or
Model N°38**



Model N°52

Fig. A





WARRANTY CERTIFICATE

WARRANTY

Since the 01.01.95, all our appliances comply with CE and possess the CE label. Our guarantee is of 24 months from the manufacturing date mentioned on the descriptive plate, except concerning the asynchronous motors (consisting of a rotor and a stator) which are warranted for 5 years from their manufacturing date. Warranty is strictly limited to the free replacement of any part of origin recognized by us as defective due to a defect or building default and identified as belonging to the concerned appliance. Warranty does not apply to damages resulting from installation or use non-complying with our appliance data sheet (user's manual) or in case of an evident lack of maintenance or disrespect of elementary security electric rules. It does not apply in case of regular wear and tear. Any replacement of parts under warranty will be realized after return of the defective part in our workshops, postage paid, supported by a copy of a conformity statement on which appears the serial number of the appliance. Every appliance is equipped with a descriptive plate conforming to the EC recommendations and of which a duplicate exists in the conformity statement (serial number, manufacturing date, electrical characteristics ...). In case of serious damage judged repairable only in our workshops, and after prior consent from our departments, any appliance under guarantee is sent by the Distributor, carriage paid. In case of repairs or reconditioning of appliances not under guarantee, the roundtrip transport is payable by the distributor. The parts and workforce are invoiced at the current rate. A preliminary estimate can be supplied.

Coffee grinder not using SANTOS original burrs are not taken under guarantee. The warranty conditions, repairs, reconditioning, of the espresso coffee grinder are the object of a specific note. Our guarantee does not extend to the payment of penalties, the repair of direct or indirect damages and notably to any loss of income resulting from the nonconformity or the defectiveness of products, SANTOS's global responsibility being limited to the sale price of the delivered product and to the possible repair of the defective products.

In case of revelation of an imperfection during the warranty period, the Distributor has to, unless a different written agreement of SANTOS, indicate to his customer to stop any use of the defective product. Such a use would release SANTOS of any responsibility.

APPLIANCE IDENTIFICATION PLATE

