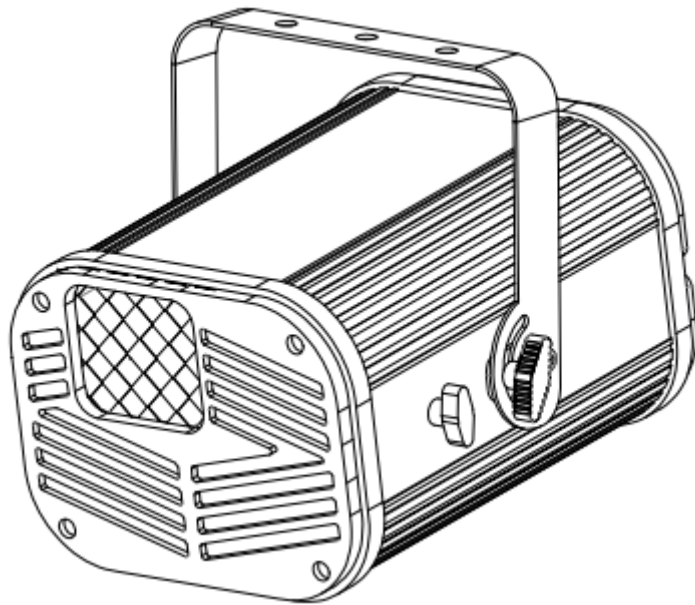


User Manual

TourPro

Rocket_2R(Laser/Scanner)



Introduction

Unpacking: Thank you for purchasing Rocket_2R (Laser/Scanner). Every unit has been thoroughly tested and shipped in perfect condition. Carefully check the shipping carton for damage that may have occurred during shipping. If the carton appears to be damaged, carefully inspect your unit for any damage and be sure all accessories necessary to operate the unit has arrived intently. In the case damage has been found or parts are missing, please contact the manufacturer or your dealer for further instructions. Do not return this unit to your dealer without any warning.



Read all cautions and warnings
prior to operation of this
equipment

Protection Against Fire



Fire

1. Maintain a minimum of 1 50cm distance from any type of flame
2. Replace fuse only with the specified type and rating
3. Do not install the unit to close a heat source
4. Make sure cable are properly secured away from unit movement
5. Maximum surface operating temperature 80°

Protection Against Electrical



Electrical

1. Disconnect power before servicing
2. The unit must be earthed (electronically grounded)

Protection Against Mechanical Hazards



Mechanical

1. Use safety chain when hanging unit
2. Use quality clamps or bolts when positioning unit
3. Do not open unit while it is on, risk of electrical shock

PLEASE recycle the shipping carton whenever possible.

General Instructions

To optimize the performance of this product, please read these operating instructions carefully to familiarize you with the basic operations of this unit. These instructions contain important safety information regarding the use and maintenance of this unit. Please keep this manual with the unit for future reference.

Features

- Multi-Colors
- Color Strobe
- Electronic Dimming 0-100%
- Daisy Chain Units together in DMX Mode
- With Sound Control
- Master/Slave synchronization
- LED operation menu
- DMX-512 protocol
- With Dot Matrix

Safety Precautions

- Be sure that the local power outlet match that of the required voltage for your unit,
- Do not attempt to operate this unit if the power cord has been frayed or broken. Do not attempt to remove or

break off the ground prong from the electrical cord. This prong is used to reduce the risk of electrical shock and fire in case of an internal short.

- Disconnect from main power before making any type of connection.
- Do not remove the cover under any conditions. There are user serviceable parts inside.
- Never operate this unit when its rear cover is removed.
- Never plug this unit into a dimmer pack.
- Always be sure to mount this unit in an area that will allow proper ventilation. Allow about 6" (15cm) between this device and a wall.
- Do not attempt to operate this unit, if it becomes damaged.
- During long periods of non-use, disconnect the units main power.
- Always mount this unit in safe and stable matter.
- Power-supply cords should be routed so that they are not likely to be walked on or pinched by items placed upon or against them, paying particular attention to the point they exit from the unit.
- Cleaning unit should be cleaned only as recommended by the manufacturer. See 'Cleaning" for details.
- Heat –The appliance should be situated away from heat sources such as radiators, heat registers, stoves, or other appliances (including amplifiers) that produce heat.
- The unit should be serviced by qualified service personnel when:
 - A. The power-supply cord or the plug has been damaged.
 - B. Objects have fallen, or liquid has been spilled into the appliance.
 - C. The appliance has been exposed to rain or water.
 - D. The appliance does not appear to operate normally or exhibits s marked change in performance.

DMX Linking: To ensure proper DMX data transmission, when using several DMX units try to use the shortest cable path possible. The order in which units are connected in a DMX line does not influence the DMX addressing. For example; a unit assigned a DMX address of 1 may be placed anywhere in a DMX line, at the beginning, at the end, or anywhere in the middle. When a unit is assigned a DMX address of 1, the DMX controller knows to send DATA assigned to address 1 to that unit, no matter where it is located in the DMX chain.

Operating Instructions

Operating Modes: You can use the unit in 4 ways:

- Auto Mode-The unit will automatically chase through the different colors.
- DMX control mode – This function will allow you to control each individual units traits with a standard DMX 512 controller.
- Master-slave mode – One unit will work as the master in the one of the above three modes, other units in the chain will work in synchronization towards the master.
- Sound control.- The unit will react to sound, chasing through the built-in programs.

DMX Mode: Operating through a DMX controller give the user the freedom to create their own programs tailored to their own individual needs. This function also allows you to use your units as spot lights.

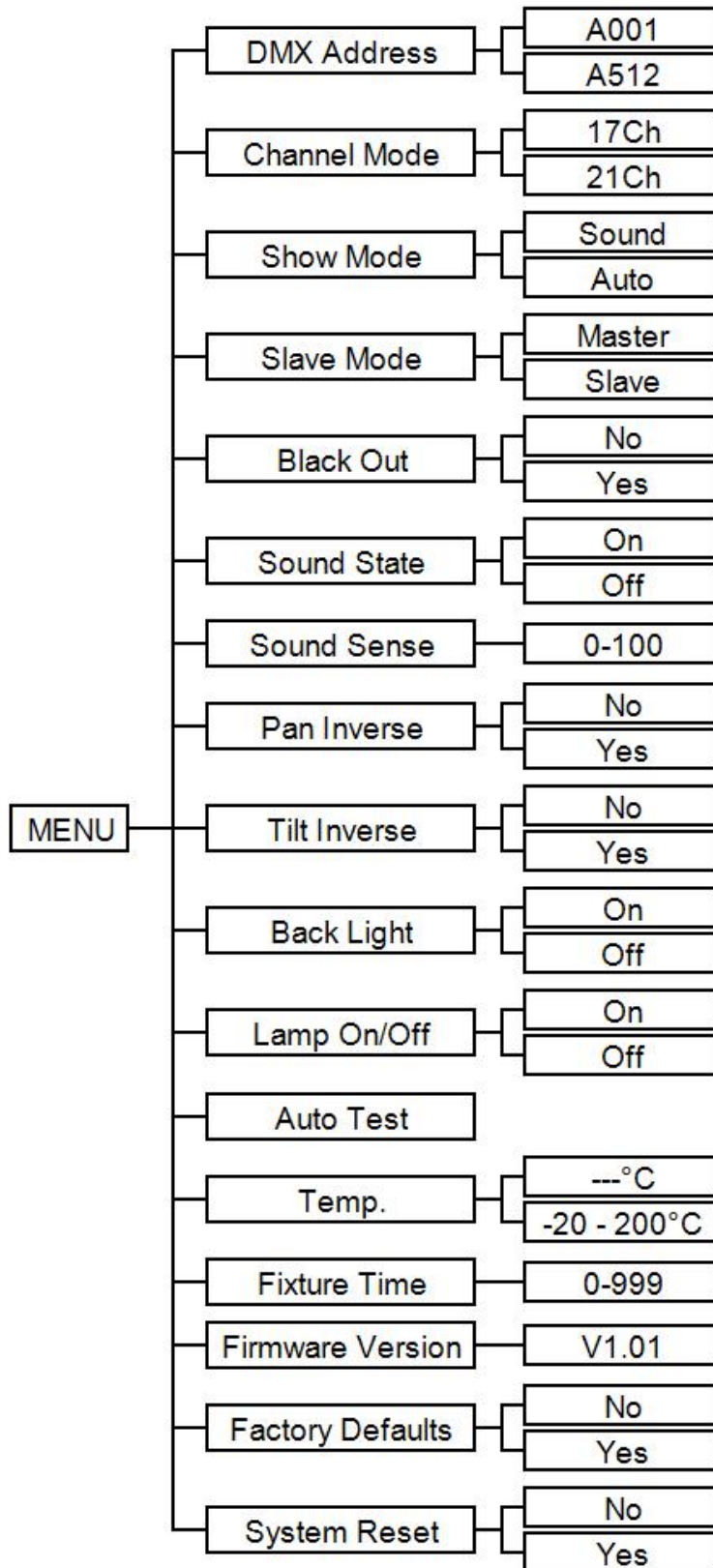
1. This function will allow you to control each individual unit's traits with a standard DMX 512 controller.
2. The unit has 21/17 two DMX channel modes to operate. Please see "DMX channels/function/ description/ value" for the DMX traits.
3. To run your unit in DMX mode, plug in the unit via the XLR connections to any standard DMX controller. Set your desired DMX address following the setup specifications that come with your DMX controller.

Main Control Menu

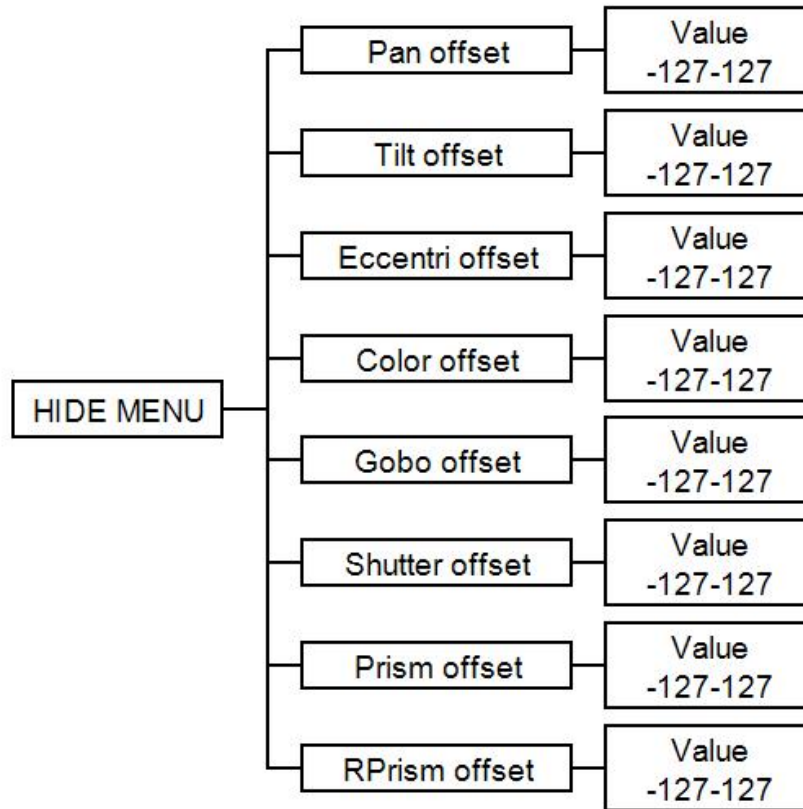
The control board on the fixture base is your interface to access and control all functions on the unit, its digital display gives you a code vide of functions and options as below:



Menu Map



Warm note: Press <Menu> to enter system, then press < Enter> for 3seconds to enter hide menu, this function allows you to adjust fine position from value -127 to 127 for below devices:



DMX Channel Chart

MODE CHANNEL		VALUE	FUNCTION
21	17		
1	/	PAN	
		0---255	Pan
/	1	PAN/PAN SHAKING	
		0---127	Pan
		128---255	Pan Shaking Movement Slow To Fast
/	2	TILT/TILT SHAKING	
		0---127	Tilt
		128---255	Tilt Shaking Movement Slow To Fast
2	/	PAN FINE	
		0---255	Pan Fine[16 bit]
3	/	TILT	
		0---255	Tilt
4	/	TILT FINE	
		0---255	Tilt Fine[16 bit]
5	/	PAN SHAKING	
		0---7	No Function

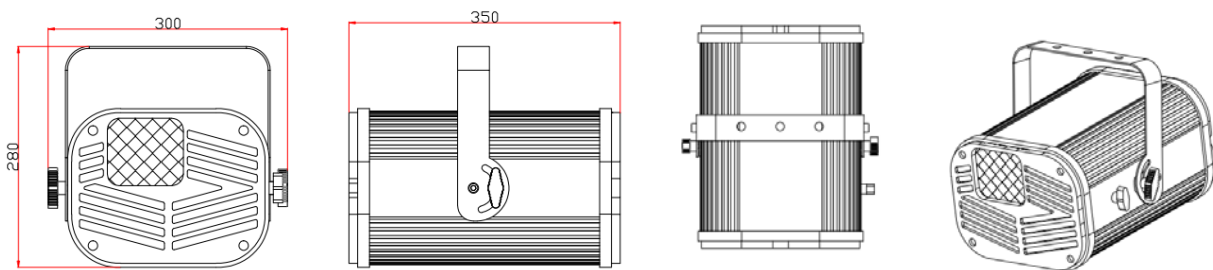
		8--255	Pan Shaking Movement Slow To Fast
6	/	TILT SHAKING	
		0--7	No Function
		8--255	Tilt Shaking Movement Slow To Fast
7	3	COLOR	
		0--2	White
		3--6	Color1
		7-11	Color2
		12-15	Color3
		16-20	Color4
		21-24	Color5
		25-29	Color6
		30-33	Color7
		34-39	Color8
		39-43	Color9
		44-47	Color10
		48-52	Color11
		53-56	Color12
		57-61	Color13
		62-65	Color14
		66-68	White
		69	Color1+white
		70-72	Color 1
		73	Color1+Color2
		74-76	Color2
		77	Color2+Color3
		78-80	Color3
		81	Color3+Color4
		82-84	Color4
		85	Color4+Color5
		86-88	Color5
		89	Color5+Color6
		90-92	Color6
		93	Color6+Color7
		94-96	Color7
		97	Color7+Color8
		98-100	Color8
101	Color8+Color9		
102-104	Color9		
105	Color9+Color10		
106-108	Color10		
109	Color10+Color11		
110-112	Color11		
113	Color11+Color12		
114-116	Color12		
117	Color12+Color13		
118-120	Color13		
121	Color13+Color14		

		122-124	Color14
		125	Color14+White
		126-128	White
		129-190	Color backward rotation Fast-Slow
		191-193	Stop
		194-255	Color forward rotation Slow-Fast
8	4	GOBO	
		0---7	Open
		8---14	Gobo1
		15---22	Gobo2
		23---29	Gobo3
		30---37	Gobo4
		38---44	Gobo5
		45---52	Gobo6
		53---59	Gobo7
		60---67	Gobo8
		68---74	Gobo9
		75---82	Gobo10
		83---89	Gobo11
		90---97	Gobo12
		98---104	Gobo13
		105---112	Gobo14
		113---119	Gobo15
		120---126	Gobo16
		127---133	Gobo17
134---194	Forward Gobo Rotation From Fast To Slow		
195---255	Backward Gobo Rotation From Slow To Fast		
9	5	PATTERN MACRO	
		0---8	Of
		9---16	Pattern Macro 1
		17---25	Pattern Macro 2
		26---33	Pattern Macro 3
		34---42	Pattern Macro 4
		43---50	Pattern Macro 5
		51---59	Pattern Macro 6
		60---67	Pattern Macro 7
		68---76	Pattern Macro 8
		77---84	Pattern Macro 9
		85---93	Pattern Macro 10
		94---101	Pattern Macro 11
		102---110	Pattern Macro 12
		111---118	Pattern Macro 13
		119---127	Pattern Macro 14
		128---135	Pattern Macro 15
		136---144	Pattern Macro 16
		145---152	Pattern Macro 17
153---161	Pattern Macro 18		
162---169	Pattern Macro 19		

		170---178	Pattern Macro 20
		179---186	Pattern Macro 21
		187---195	Pattern Macro 22
		196---203	Pattern Macro 23
		204---212	Pattern Macro 24
		213---220	Pattern Macro 25
		221---229	Pattern Macro 26
		230---237	Pattern Macro 27
		238---246	Pattern Macro 28
		247---255	Pattern Macro 29
10	6	FORWARD/BACKWARD PATTERN ROTATION	
		0---9	Stop
		10---120	Forward Pattern Rotation From Fast To Slow
		121---134	Stop
		135---245	Backward Pattern Rotation From Slow To Fast
		246---255	Stop
11	7	PATTERN PAN/TILT ROTATION	
		0---9	Stop
		10---120	Pan Pattern Rotation From Fast To Slow
		121---134	Stop
		135---245	Tilt Pattern Rotation From Slow To Fast
		246---255	Stop
12	8	PATTERN ZOOM	
		0---127	Pattern Zoom Manual
		128---255	Pattern Zoom From Slow To Fast
13	9	PAN PATTERN MOVEMENT	
		0---9	Stop
		10---120	Pan Pattern Movement -To Left
		121---144	Stop
		145---255	Pan Pattern Movement -To Right
14	10	TILT PATTERN MOVEMENT	
		0---9	Stop
		10---120	Tilt Pattern Movement -To Up
		121---144	Stop
		145---255	Tilt Pattern Movement -To Down
15	11	ECCENTRI	
		0---127	0---360°
		128---191	Forward Rotation -From Fast To Slow
		192---255	Backward Rotation -From Slow To Fast
16	12	ECCENTRI SHAKING	
		0---7	Stop
		8---255	Shaking-From Slow To Fast
17	13	PRISM	
		0---255	Prism Movement
18	14	PRISM ROTATION	
		0---127	Prism Indexing
		128---191	Forward Rotation From Fast To Slow
		192---255	Backward Rotation From Slow To Fast

19	15	DIMMER	
		0---255	Dimmer Intensity 0-100%
20	16	SHUTTER	
		0---7	No Function
		8---255	Shutter From Slow To Fast
21	17	FUNCTION MACRO [ACTIVE AFTER 5S](
		0---39	No Function
		40---59	Lamp On
		60---79	Lamp Off
		80---89	All Motors Reset
		90---99	Pan/Tilt Motors Reset
		100---109	Color Motor Reset
		110---119	Gobo Motor Reset
		120---129	Shutter & Dimmer Motors Reset
		130---139	Other Motors Reset
		140---149	Enable Blackout While Pan/Tilt Movement
		150---159	Disable Blackout While Pan/Tilt Movement
		160---169	Enable Blackout While Color Change
		170---179	Disable Blackout While Color Change
		180---189	Enable Blackout While Gobo Change
		190---199	Disable Blackout While Gobo Change
		200---219	System Reset
		220---255	No Function

Drawing dimension(mm):



Cleaning

Due to fog residue, smoke, and dust cleaning the internal and external optical lenses must be carried out periodically to optimize light output.

1. Use normal glass cleaner and a soft cloth to wipe off the outside casing.
2. Clean the external optics with glass cleaner and a soft cloth every 20 days.
3. Always be sure to dry all parts completely before plugging the unit back in.

Cleaning frequency depends on the environment in which the unit operates (i.e. smoke, fog residue, dust, dew).

Trouble Shooting

Listed below are a few common problems the user may encounter, with solutions.

Unit not responding to DMX:

1. Check that the DMX cables are connected properly and are wired correctly (pin 3 is “hot”; on Some other DMX devices pin 5 may be “hot”). Also, check that all cables are connected to the right connectors; It does matter which way the inputs and outputs are connected.

Unit does not respond to sound:

1. Quiet or high pitched sounds will not activate the unit. If problems are not resolved, contact Your dealer for service.

Specifications

Model: **Rocket_2R(Laser/Scanner)**

Working Position: Any safe working position

Voltage: 90-250V / 50~60Hz

Power: 220W

Lamp: YODN 132W 2R lamp

DMX Channel: 21/17 channel mode

Protection Rating: IP20

Color: 14 colors+white

Gobo: 17 gobos+white

Prism:3-facet prism

Beam angle: 3°

Feature: Multi effect luminaire, beam, scanner, laser simulator

Operation panel: LED display

Inner box G.W: 9.5Kgs

Inner box dimension: 450*350*360mm

Master box G.W: 21kgs

Master box dimension (for 2 lights): 690*470*390mm

Warranty: **1 Year**

Note: All information is subject to change without prior notice.