





Instruction Manual
Bathtub Safety Rail
Item No: 43194



Distributed by
ALDI, INC.
Batavia, IL 60510
Visit us at www.aldi.us

AFTER SALES SUPPORT


 [1-866-558-8096](tel:1-866-558-8096)  service@eurocentra.net


MODEL: 43194 **ITEM#: 43194-14**


2
YEAR WARRANTY


Important Safety Information


Bathtub Safety Rail Assembly Instructions


 **WARNING:** Important! Read and understand these instructions before assembling or using the Welby Bathtub Safety Rail.

 **WARNING:** If any parts are missing or damaged, please do not return to the place of purchase. Contact the customer service hotline at 866-558-8096.
DO NOT use substitute parts. Non-Welby bathtub safety rail replacement parts could cause personal injury and damage to the rail and/or the tub.

 **WARNING:** This bathtub safety rail provides support and increased stability for an individual weighing up to 250lbs. This item is NOT designed to support the total weight of an individual. Use the bar for assistance only. The maximum horizontal capacity is 100lbs.

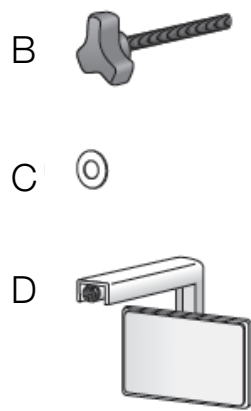
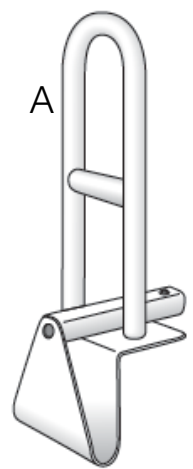
 **WARNING:** Ensure all the Bathtub Safety Rail is secured to the tub before each use.

 **WARNING:** DO NOT over-tighten on fiberglass and or porcelain tubs as it may crack or damage them.

 **WARNING:** ALDI Inc. and EuroCentra Inc. assumes no responsibility for any damage or injury caused by improper assembly or use of this product.

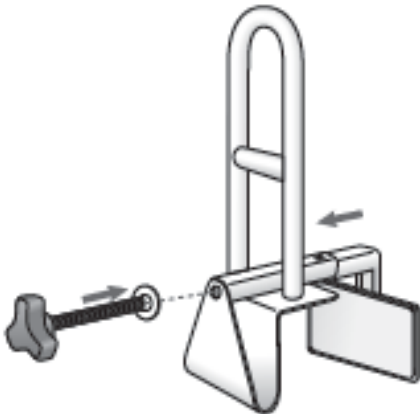
Contents in Box

Item	Quantity	Description
A	1	Rail
B	1	Screw Clamp
C	1	Washer
D	1	Back Plate

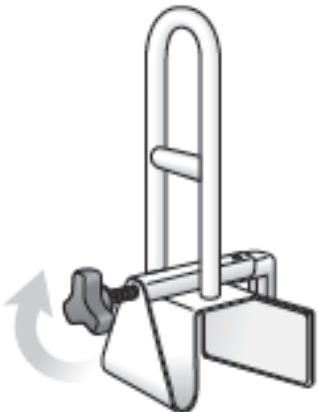


Assembly Instructions:

- 1. Prior to assembly, wash the tub area where the rail will be installed. All contact surfaces must be clean, dry and free of any residue to ensure a secure attachment.
- 2. Place washer on the screw clamp and insert into rail, then put the back plate on as shown in Fig 1 below:

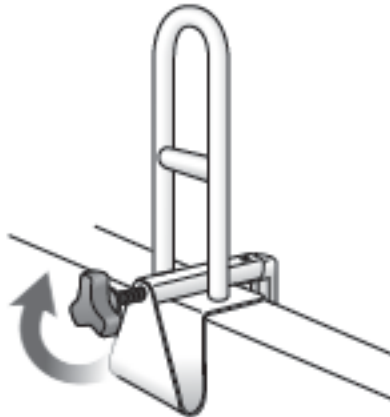


- 3. Turn the screw in a "clockwise" direction to begin to secure the back plate to the rail as shown in Fig 2 below:



Assembly Instructions Continued:

- 4. Place rail over tub side and tighten clamp as shown in Fig 3 below:



DO NOT over-tighten the clamp on fiberglass and or porcelain tubs as it may crack or damage them.

Assembly Instructions Continued:

1. Verify that the Bathtub Safety Rail is secured by pulling it from side to side and front to back. If it moves, tighten again in the desired position.



WARNING: The safety rail may require tightening from time to time. Check periodically and tighten again when needed.

Maintenance and Cleaning

1. Inspect the bathtub safety rail weekly and tighten as needed to ensure proper installation.
2. To clean; wash it with soap and water or a mild detergent, then rinse.

Specifications:

Maximum Weight Capacity: 250lbs.

Overall Width: 6"

Overall Depth: 19.5"

Toll free customer service:

866-558-8096

Mon-Fri 9:00am - 5:00pm CST

SAVE THESE INSTRUCTIONS



LIMITED WARRANTY

Thank you for purchasing a top quality Welby product. This Bathtub Safety Rail was tested and met our stringent quality standards. This product is warranted to be free from manufacturing defects in original materials, including original parts, and workmanship for 2 years with dated proof of purchase.

The warranty is void if the defect is due to accidental damage, misuse, abuse, neglect, improper repair or alteration by unauthorized persons or failure to follow operation instructions provided with the product. This warranty does not apply to commercial use.

The warranty is non-transferable and applies only to the original purchase and does not extend to subsequent owners of the product. Liability under this warranty is limited to repair or refund at EuroCentra, Inc. discretion. In no event shall liability exceed the purchase price paid by the purchaser of the product. Under no circumstances shall there be liability for any loss, loss of profits, direct, indirect, incidental, special or consequential damage arising out of connection with use of this product. This warranty is valid only in the United States. This Warranty gives you specific legal rights. However you may have other rights that vary from state to state. Some states do not allow limitation on implied warranties or exclusion of consequential damages therefore these restrictions may not apply to you.

Due to constant product development and market changes, EuroCentra, Inc. can only guarantee that spare parts will be available within the two year warranty period.

In case you find this product to be defective please contact the After Sales Service department at the number listed below.

EuroCentra, Inc.
Toll Free 1-866-558-8096
Mon-Fri, 9am-5pm CST
service@eurocentra.net

Bathtub Safety Rail

Your Details: _____

Name: _____

Address: _____

Phone: _____ E-mail: _____

Date of purchase*: _____

*We recommend you keep the receipt with this warranty card.

Location of purchase: _____

Description of malfunction: _____

EuroCentra
1 Riverside Rd Suite 204
Riverside, IL 60546
service@eurocentra.net

AFTER SALES SUPPORT	
1-866-558-8096	service@eurocentra.net
MODEL: 43194	ITEM#: 43194-14



Phone lines are available
Mon-Fri 9am-5pm CST