

Installation Set-up

Before installing the TurboStack guiderails on a module, check to see that the guiderail package contents are complete. If any of the following items are missing or damaged, contact your sales representative.

- Guiderails (2)
- This user manual
- Screws for single-height guiderails (4); *or*
Screws for dual-height guiderails (6)
- Warranty card
- Screws for attachment to the module handles (4)

Removing the Rubber Feet from the Module

1. Remove the screws and rubber feet from the bottom of the module. Store the rubber feet for future use.
2. For *single-height units only*, re-install the screws without the rubber feet to prevent the unit from expanding, as shown in Figure 1. For dual-height units, store the screws for future use.

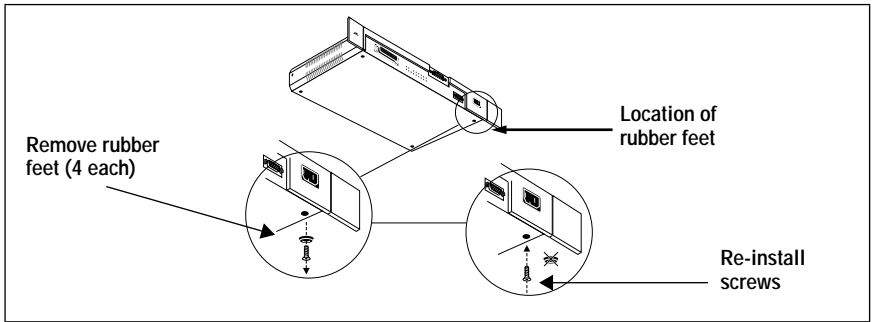


Figure 1: Removing the Rubber Feet

Installing the Single-Height Guiderails

1. Align the L-shaped ends of each guiderail with the front (connector side) of the module and attach the guiderails to the side of the module with the screws provided. See Figure 2 for the correct orientation of the guiderails.

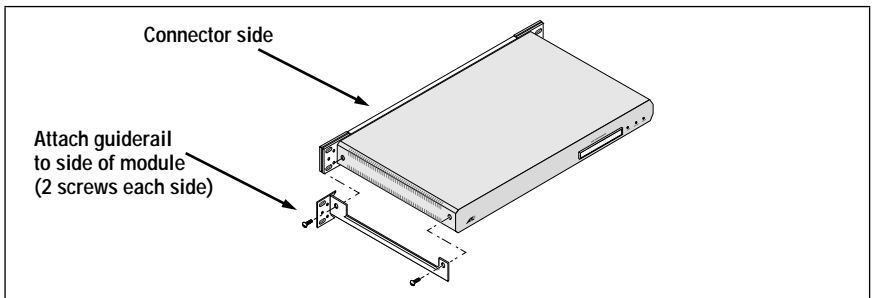


Figure 2: Attaching the Single-Height Guiderails

2. Attach the L-shaped end of each guiderail to the back of each handle using the new screws provided, as shown in Figure 3.

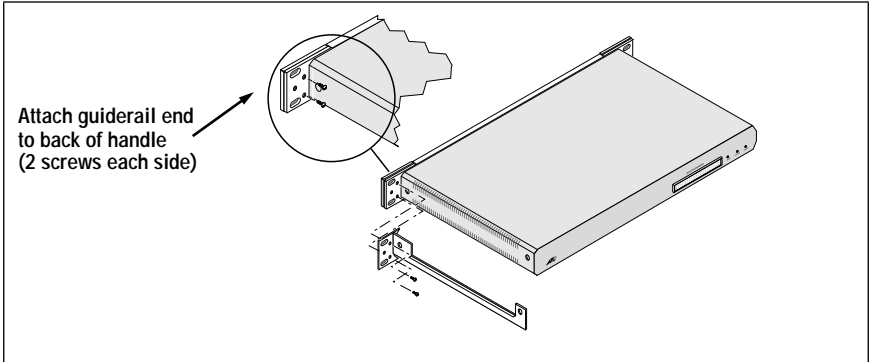


Figure 3: Attaching the Guiderail to the Handle

You are now ready to mount your modules into a 19" rack or an ATI chassis.

Installing the Dual-Height Guiderails

1. Align the L-shaped ends of each guiderail with the front (connector side) of the module. See Figure 4 for the correct orientation of the guiderails.

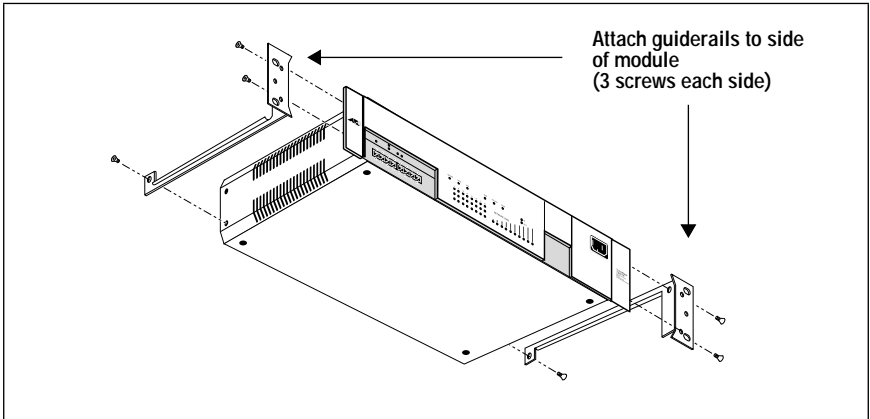


Figure 4: Attaching Dual-Height Guiderails

2. Remove *only* the screws on the side of the module where the guiderails will be attached. Store the screws for future use.
3. Attach the guiderails to each side of the module using the new screws provided. Attach the L-shaped end of each guiderail to the back of each handle using the new screws provided, similar to Figure 3.

You are now ready to mount your modules into a 19" rack or an ATI chassis.