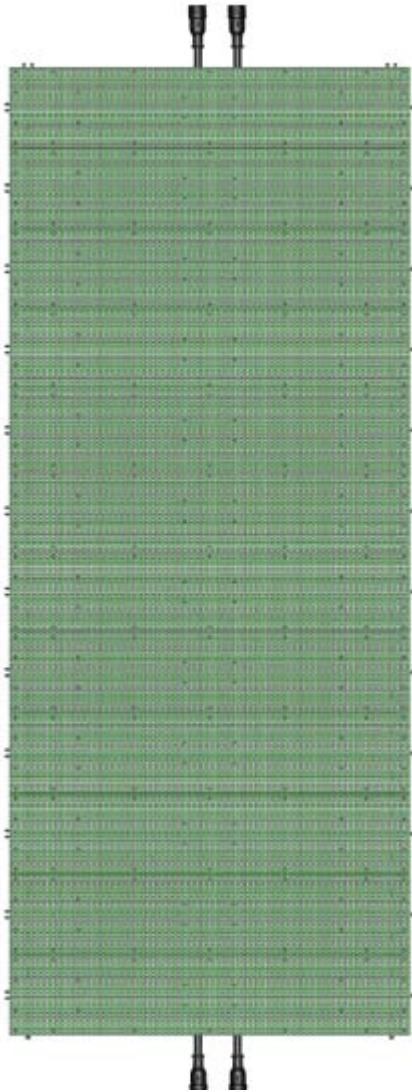


Flexible LED Curtain Display Manual



Contents

Safety information	2
Product information	3
Control case	4
Essential connection cable	5
Connection diagram	6
Transom assembly	7
Module installation	8
Control case installation	9
Package information	9
Product maintenance	10
Installation maintenance	11

■ Please check up that the unit has not been damaged during transport.

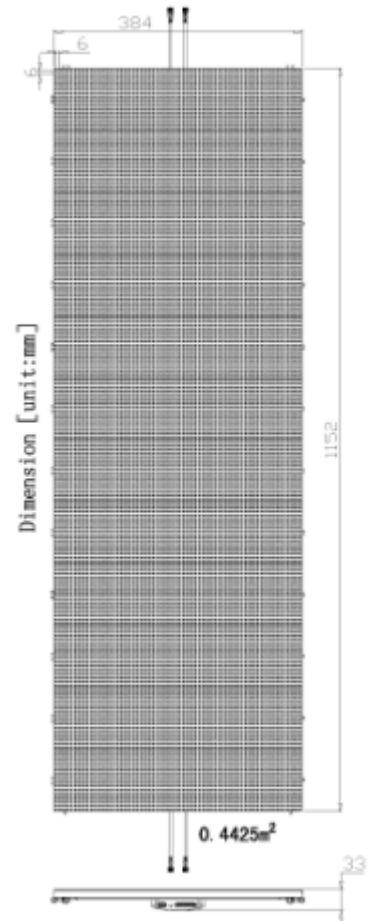
■ Read all cautions and warnings prior to operation of this equipment.

SHENZHEN UNIT LED CO.,LTD.

www.unit-led.com Flexible LED Display,LED Curtain,Soft LED Display User Manual

■ Technical specification

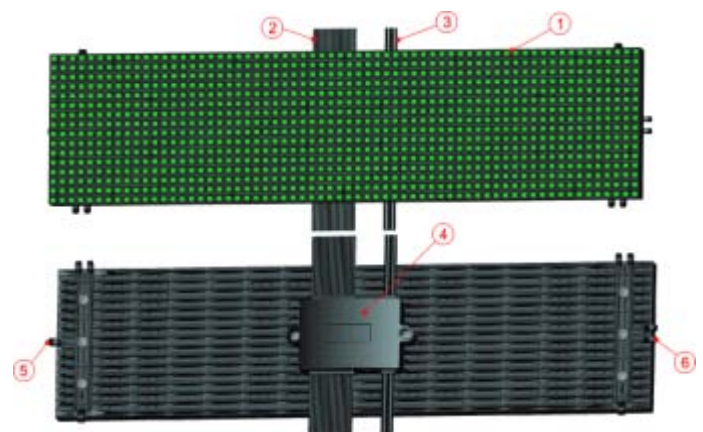
Product model	UNIT-FSWI-P6D8
Usage	Indoor
LED type	(SMD3528) 3 in 1
Pixel Pitch (PH)	6mm
Module resolution	192Dots x 64Dots
Brightness (CD/M ²)	≥2200 CD/m ²
Transparency	%3
Refresh rate (Hz)	≥2000HZ
Pixel density (dot/ M ²)	27778Dots/m ²
Grey level	≥65536
Working voltage	DC24V
Power consumption (W)	240W (MAX)
Viewing angel	130°
Operating temperature (°C)	-30~+50°C
Control mode	Synchronic
LED lifespan	50000
IP rating	IP61
Size (L*W*H) (mm)	384*1152*33mm
Weight (KG)	5.82kg
Dimension	0.4425 M ²
Certificate	CE RoHS



■ Mechanical specification

1	Small module
2	16pins signal cable
3	2 pins DC24V power cable
4	Small power case
5	Left chain (dual)
6	Right chain (single)

A module is made of 12 small power cases;
 A small module is driven by a small power case;
 There are totally 1024 pixels in every small module;
 Left chain and right chain of aluminum alloy are equipped at two side of every small module.



SHENZHEN UNIT LED CO.,LTD.

www.unit-led.com Flexible LED Display,LED Curtain,Soft LED Display User Manual

■ Master controller



Information

Product model	UNIT-T7-BOX
Input voltage	AC: 100V~240V
Total power consumption	18W
Data input base	DVI & USB
Data output base	Ethernet
Material	spcc
Size/weight	L280*W180*H50mm/1.4kg

■ 2U control case



Specifications

Information	UNIT-STD-201A
Input voltage	AC110V/220V (internal option)
Output power consumption	2000W
Data input base	Ethernet entrance
Output voltage	DC24V
Data output transmission distance	3M
Material	spcc
Size/weight	582*264*175mm/14.5kg

Attention: A 2U control case is in charge of 4 pieces of UNIT-FSWI-P6D8 module. (4 pieces side by side)!

SHENZHEN UNIT LED CO.,LTD.

www.unit-led.com Flexible LED Display,LED Curtain,Soft LED Display User Manual

1 U control case



Information

Product model	UNIT-STD-101A
Input voltage	AC110V/220V (internal option)
Output power consumption	1000W
Data input base	Ethernet entrance
Output voltage	DC24V
Data output transmission distance	3M
Material	spcc
Size/weight	L553*W223*70mm/6.08kg

Attention: A 1U control case is in charge of 2 pieces of UNIT-FSWI-P6D8 module. (2 pieces side by side)!

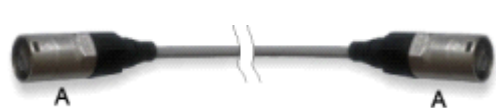
Connection cable information

Cascading exchange power cable



- A** Exchange power input male connector
- B** Exchange power output female connector

Cascading network cable



- A** Network linking male connector

A DC24V power cable divided into two parts



- A** DC24 power line male connector
- B** DC24 power line female connector /2pcs

Signal connecting cable

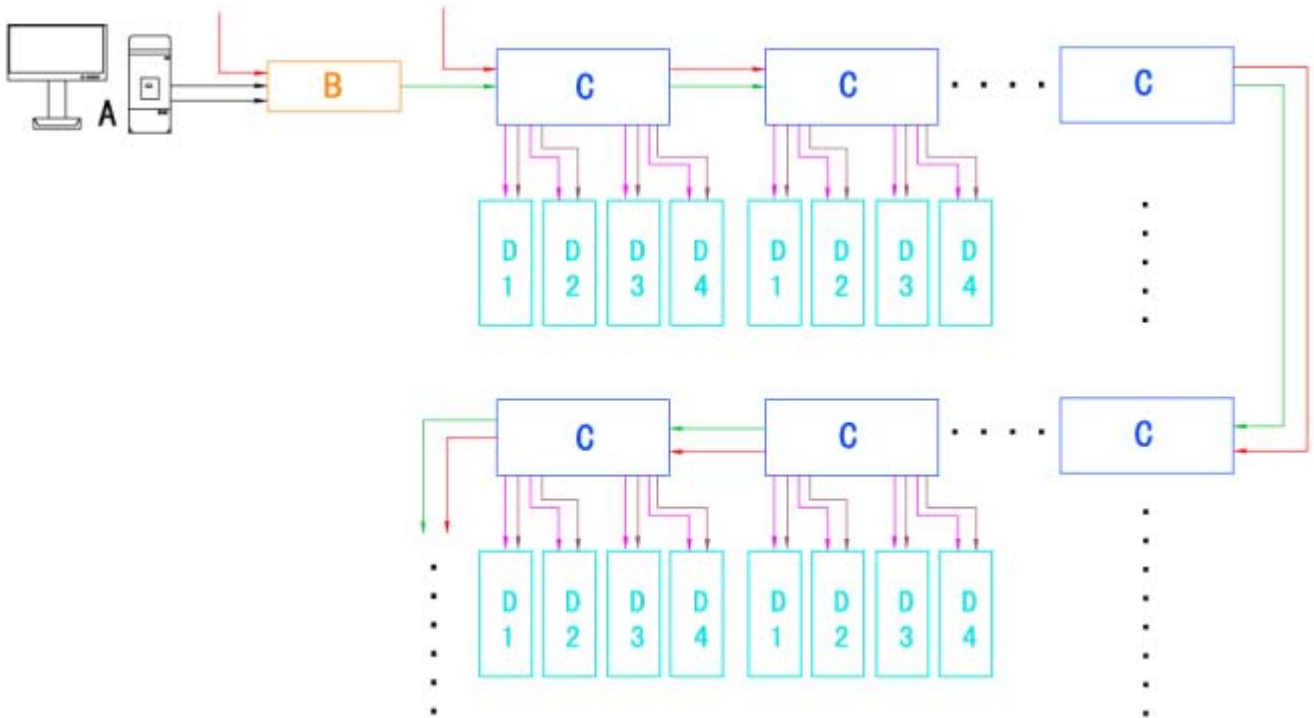


- A** 16 pins network line male connector
- B** 16 pins network line female connector

SHENZHEN UNIT LED CO.,LTD.

www.unit-led.com Flexible LED Display,LED Curtain,Soft LED Display User Manual

■ Connection diagram



Item number	
A	PC
B	Master controller
C	1U control case
D	GL-FSWI-P6D8 module

Connection information	
→	AC exchange current line
→	Network line
→	DC24 direct current line
→	Signal line

▲Attention: It is a 1U control case connection diagram!

▲Attention: A 1U control case is in charge of 4 pieces of UNIT-FSWI-P6D8 module. (4 pieces side by side)!

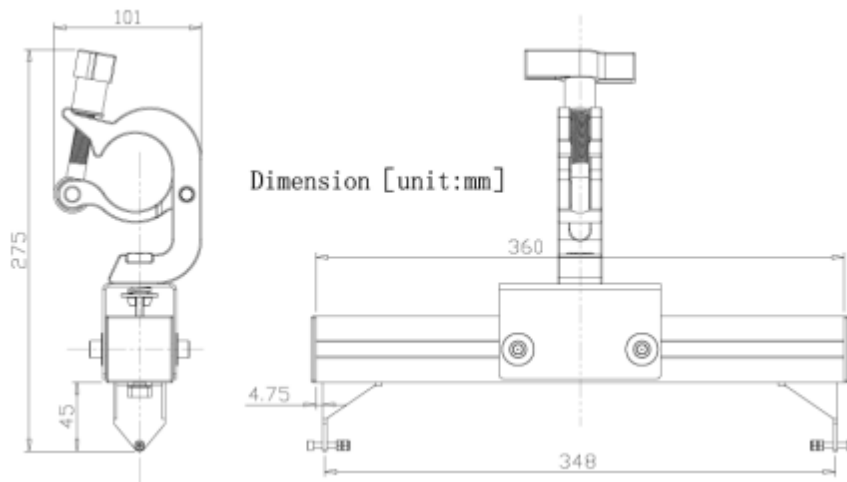
SHENZHEN UNIT LED CO.,LTD.

www.unit-led.com Flexible LED Display,LED Curtain,Soft LED Display User Manual

Beam components

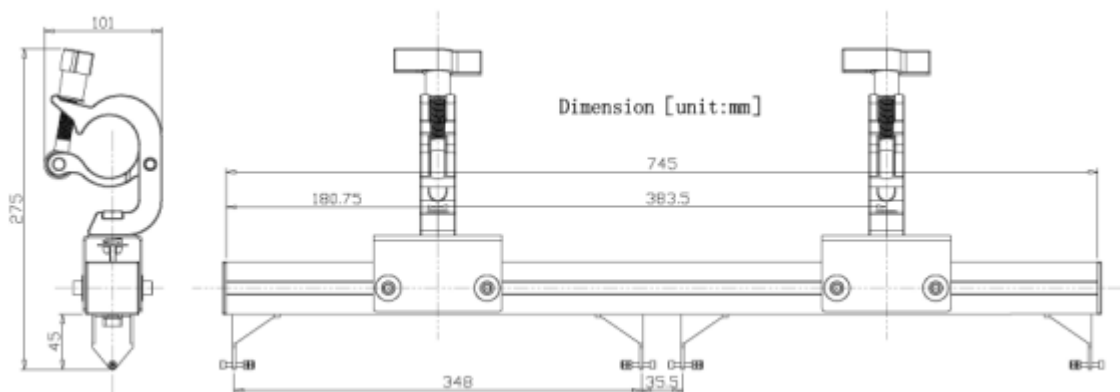
Name	Model	Load-bearing	Net weight	Size
Beam component	P6-360	50≤kg	2.5kg	L 360mm
Beam component	P6-745	145≤kg	3.5kg	L 745mm

P6-360



▲6 pieces of P6 module at most (1 array,6 rows)

P6-745

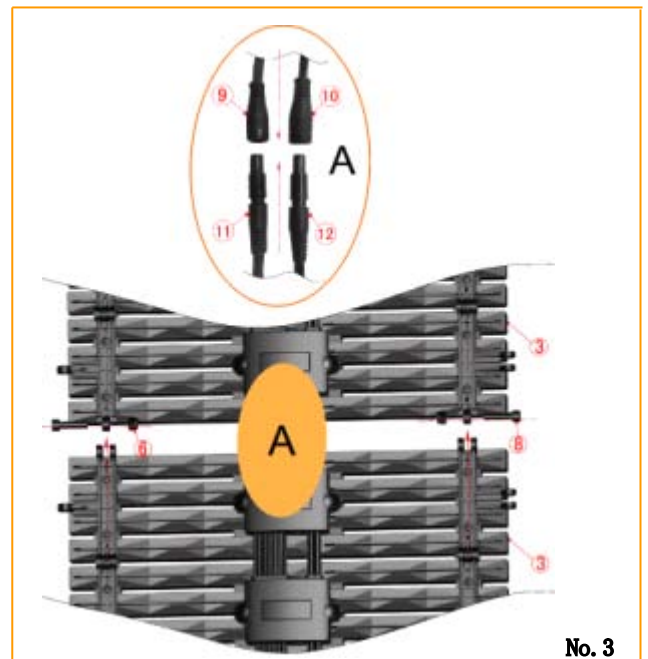
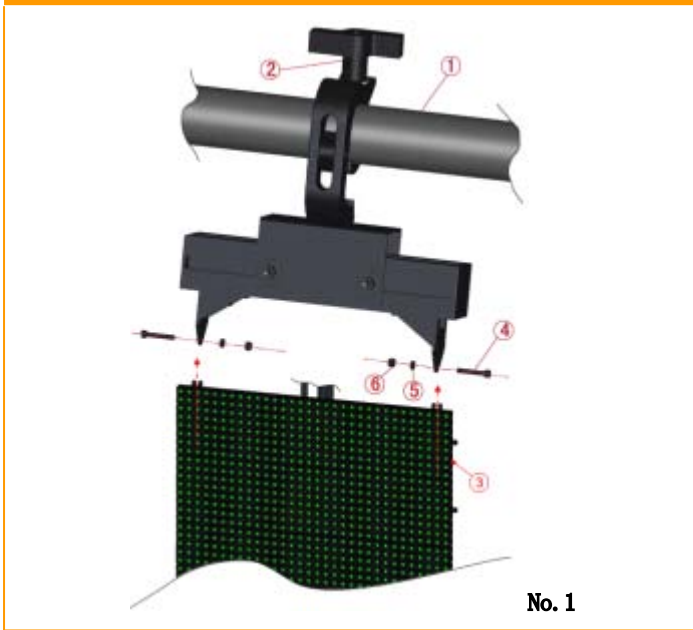


▲12 pieces of P6module at most (2 arrays,6 rows)

SHENZHEN UNIT LED CO.,LTD.

www.unit-led.com Flexible LED Display,LED Curtain,Soft LED Display User Manual

Module installation



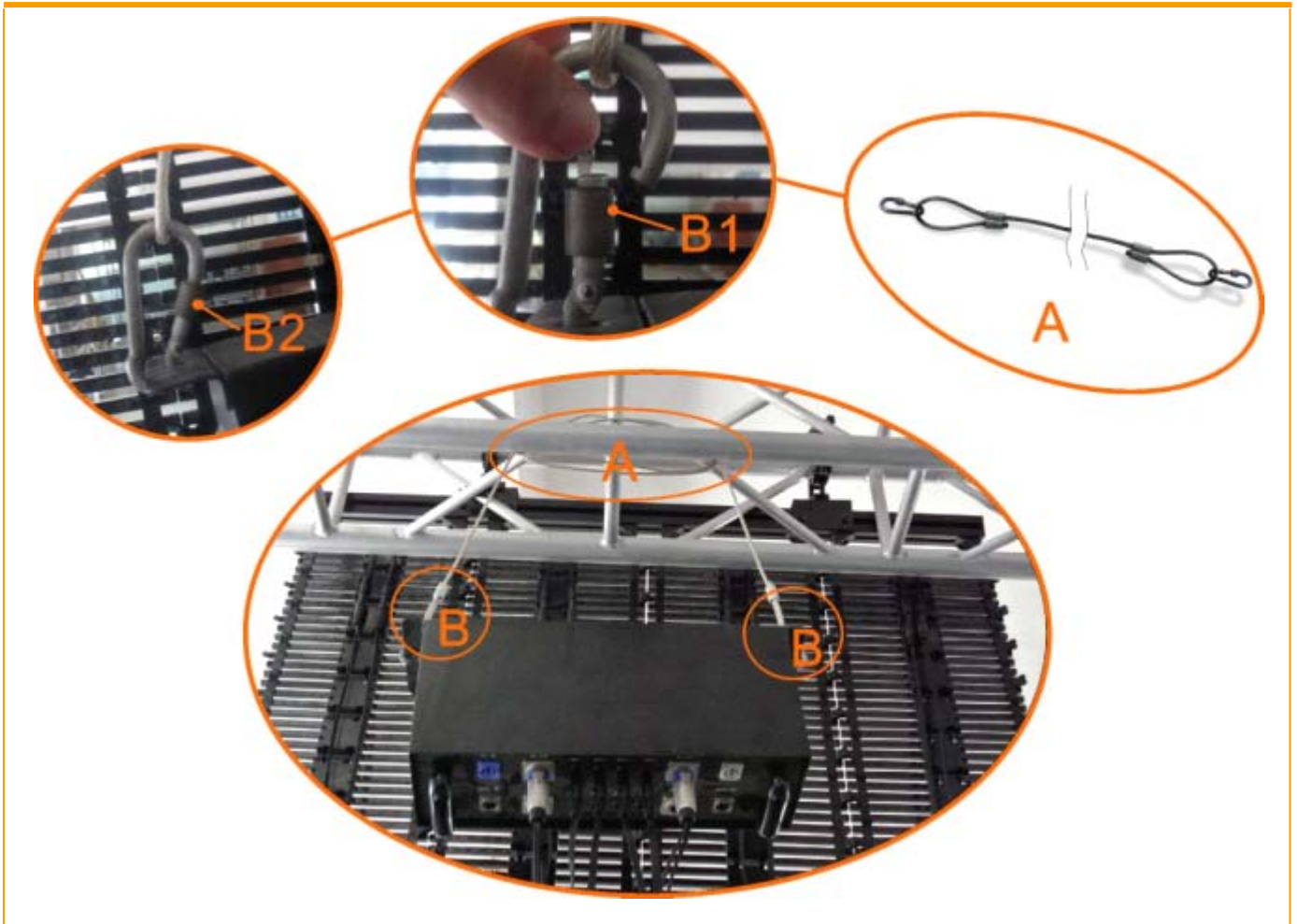
Item number	
1	Steel frame/pipe (made by client)
2	Beam component
3	A module
4	M4*24inner hexagonal machine silk
5	M4 nut
6	M4 self-locking nut
7	Self-locking fastening
8	M4*16 inner hexagonal machine silk
9	16P signal cable female socket
10	2P DC24V cable female socket
11	16P signal cable male socket
12	2P DC24V cable male sockt

No. 1	Picture No.1(Beam & module installation): 2 installed firmly into 1→3 installed into 2 insert 4→twist 5→twist firmly and fix 6 ;
No. 2	Picture No.2(left & right module installation): 7 insert 3 left & right chain hole ;
No. 3	Picture No.3 (up & down module installation): 3 and the third chain butt join up and down→insert 8→twist firmly and fix 6→9 & 11 butt join →10 & 12 butt join ;
▲	Attention: Check up on the firmness of installation!

SHENZHEN UNIT LED CO.,LTD.

www.unit-led.com Flexible LED Display,LED Curtain,Soft LED Display User Manual

Control case installation



A	Bundle on steel frame/pipe with steel wire →Be symmetric on both sides;
B1	Buckle in the hang hole on two sides of power case with two mobile buckles on steel wire components;
B2	Tighten mobile buckle nut on the two sides of steel wire components;
▲	Attention: Check up on the firmness of installation!

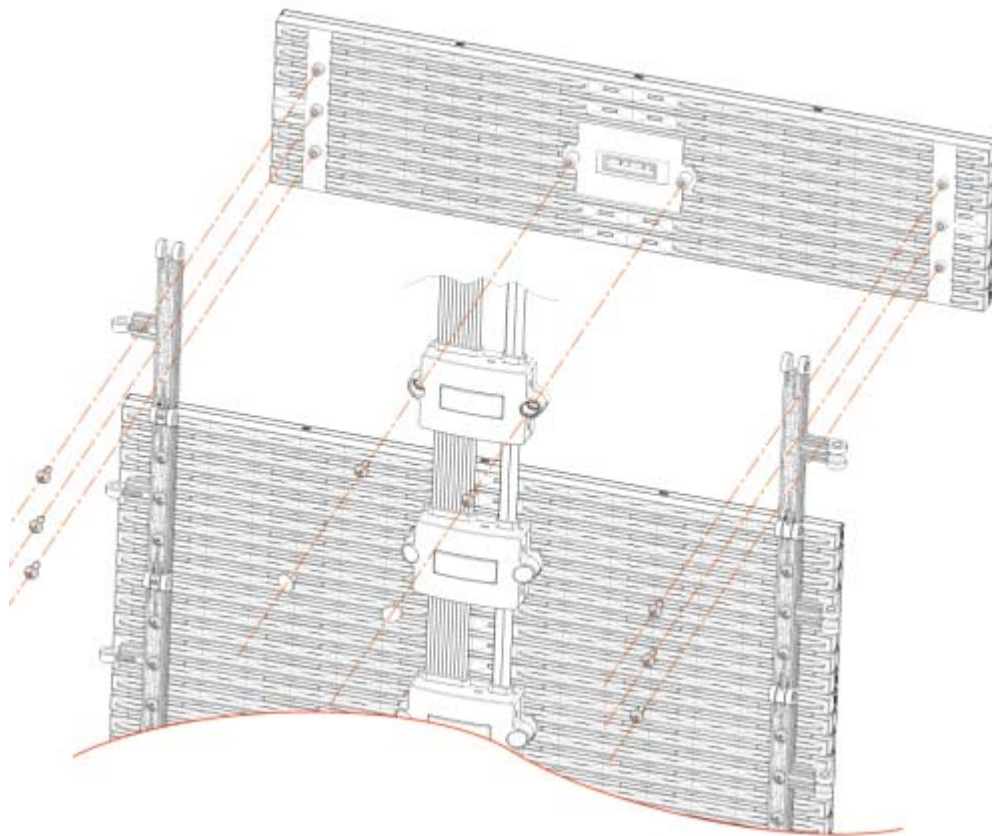
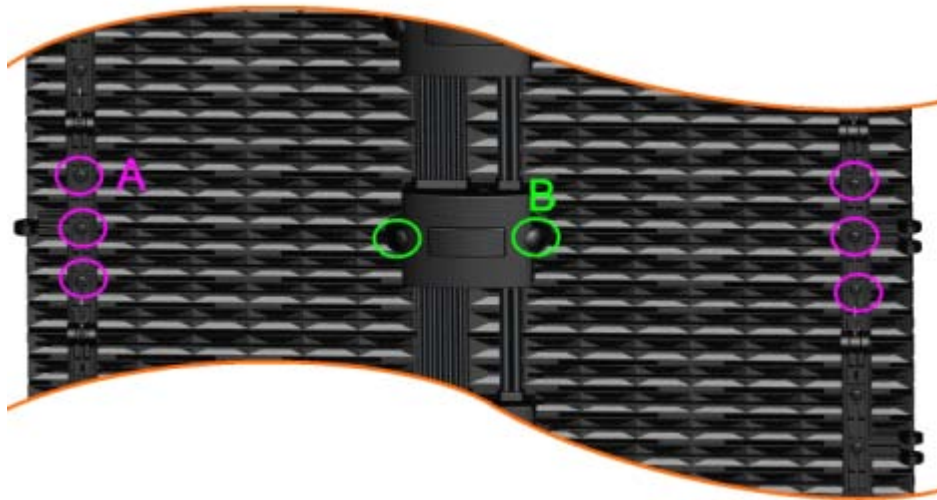
Package

	Flight case size	1320*700*705mm
	Total case weight	≈132kg
	Packaging material	8 pieces of module / 2pcs 1U control cases/ relevant accessories and wires
	Attention: It is a regular package. The specific must be packed according to the order delivery list!	

SHENZHEN UNIT LED CO.,LTD.

www.unit-led.com Flexible LED Display,LED Curtain,Soft LED Display User Manual

■ Product maintenance



A Picture A; Twist off chain set screw with cross screwdriver in the circle;

B Picture B: Detach plug in the circle→twist off the set screw in small power case with cross screwdriver.

Operating as the pictures would exchange or maintain small module directly.

SHENZHEN UNIT LED CO.,LTD.

www.unit-led.com Flexible LED Display,LED Curtain,Soft LED Display User Manual

■ Installation maintenance

▲The following points have to be considered during the inspection:

Check up on the device and electron once every two years to make sure product secure use;

All screws used for installing the device or part of the device have to be tightly connected and must not be corroded;

There must not be any deformation on the housing, fixation and installation spots (ceiling, suspension, trussing);

The electronic power supply cables must not show any damages, material fatigue (e.g. porous cables) or sediments;

Make sure signal cables and FCS-driver and FCS-PD8 are not placed near any magnetic interference;

▲Advice

Clean the device frequently. Please use a moist, lint free cloth. Never use alcohol or solvents!

Environment with foggers will require more periodic cleaning as fog fluid tends to build up residues, reducing the light output.

The plastic enclosure will require periodic cleaning according to usage and environment

▲Attention

Power cable replacement: If the power cable is damaged, it has to be replaced by electrical safety regulations only in order to avoid hazards

Only exchanging light bar or lamp is included in maintenance range;

Other maintenance and service are to be carried out by authorize dealers.

Should you have further questions, please contact your dealer.

▲ Please keep this user manual properly for further use in any case after being read.

■ After-sale service contact information

Contact unit: Robby Email: robby@unit-led.com Website: www.unit-led.com

Support: Tel: 13787050055 Msn: leddisplays@hotmail.com Skype: leddisplays
