

# **FULL HD SPORTS CAMERA**

---

## **User Manual**

- Contents
- Precaution
- DVR Special Features
- Product Accessories
- DVR Interface
- Button function
- DVR Operation
  - Power on/off
  - Battery Charging
  - Video Mode
    - Normal recording
    - Loop recording
  - Picture Mode
  - Playback Mode
  - Menu Setting
  - Remote Control Description
  - Install and use WiFi
  - Connect HDMI
  - Connect TV
  - Playback on PC
- Technical specification

## Precaution

Pls be well look through the following guidelines before you use this DVR.

- Pls refer to manual instruction to operate the camera correctly. Illegal operation may cause damage to internal components.
- Do not fall or hit the DVR, it may damage the internal components.
- Do not alter or dismantle the DVR, to avoid the damage to the DVR.
- The temperature rise is normal when DVR in use for a long time
- Do not touch the lens when recording which will affect the video quality.

## DVR Special Features:

### Inversion Mode

If need to invert dvr while using,you can set "inversion mode" in the menu to On, then the machine can rotate 180 degrees,but characters and images on the screen can be normal as a positive direction.

### WiFi Function

It will be more convenient to operate the machine at a distance of 30 meters using a mobile phone via the WiFi connection

### High Speed Recording

The DVR has 720P120fps and VGA240fps video resolution.

### Slow Motion

The video will be played in twice as slow as the video frame(60fps video) or 4 times (120fps video).

### Time Lapse

The DVR will take pictures at a certern rate then make a video consisted by the pictures.

### Capture Mode

Under recording press Mode button to take a picture.

### 2.4G wireless remote control

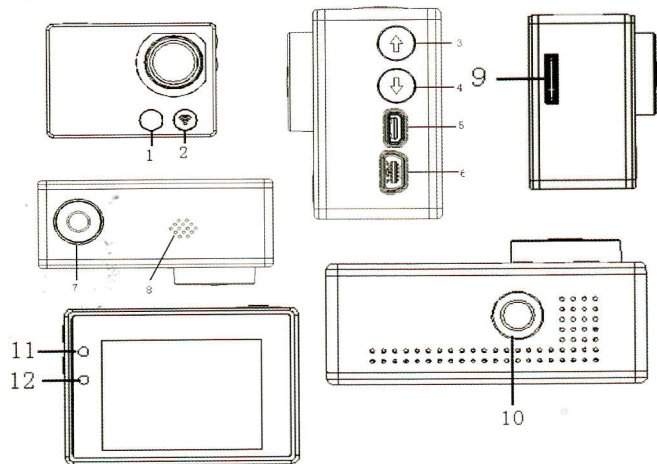
Waterproof wrist remote controller

## Product Accessories

Accessory 1	Accessory 2	Accessory 3
USB Cable	AC Charger	Accessory 4
Accessory 8	Accessory 5	Accessory 6
Waterproof Case	Wrist Remote Controller	3M Pads
User Manual	Accessory 7	Battery



## DVR Interface



- 1.WiFi indicator
- 2.Mode button
- 3.Up button
- 4.Down button
- 5.HDMI port
- 6.USB port

- 7.Power button
- 8.Speaker
- 9.TF card slot
- 10.1/4" screw hole
- 11.Working indicator
- 12.Charging indicator

## Button function

**Power button:** short press to turn on the DVR, long press to turn off the DVR; Under standby mode short press to start/stop the recording; Under Picture mode short press to take a picture; Under playback mode short press to start/pause the playback; Confirm the menu setting; Confirm the time setting.

**Up button:** Under standby mode to zoom in; long press to enter/exit the menu; In the Menu setting or Playback mode choose the last option or file; Increase the digit in the time setting.

**Up button:** Under standby mode to zoom out; In the Menu setting or Playback mode Choose the next option or file; Decrease the digit in the time setting.

**Mode button:** Under standby mode short press to switch Video/Picture/Playback Mode; Long press to enter WiFi setting; During recording short press to capture; In time setting to switch Year/Month/Date/Time.

## DVR Operation

### Power on/off

**Power on:** Short press Power button, the lcd screen shows the startup picture, the blue working indicators will light up, DVR enters standby mode.

**Power off:** When camera is on, long press Power button, the lcd screen shows the shutdown picture, the blue working indicators will be off, DVR powers off.

## Battery Charging

Connect DVR with power charger via USB cable, the red light will light up. Once the battery is full, the red light will be off. If you want to charge faster, turn off the machine when charging.

## Video mode

### Video interface:

1. Record icon
2. Exposure Compensation
3. White Balance
4. Frame rate
5. Video resolution
6. Microphone
7. Remaining time of the memory card
8. Battery icon
9. Year /Month / Day/Time



### Normal recording

Set the "seamless" to off in the video mode menu. Press Power button, DVR starts recording till the card is full. Press Power button again to stop recording.

### Loop recording (refer to menu setting)

Under standby mode, press Power button to start recording, the blue indicator will flash. When the video recorded up to the time you set (say 1 minute, 3 minutes or 5 minutes), DVR will save the footage automatically and continue recording.

When TF card is full, DVR will overwrite the first footage by time sequence and continue recording. Press Power button again to stop recording, the remaining recording time is on the LCD screen.

## Picture Mode

### Picture interface:

10. Picture icon
11. Exposure Compensation
12. White balance
13. Picture size
14. Remain photos
15. Battery icon
16. Year /Month/Day/Time

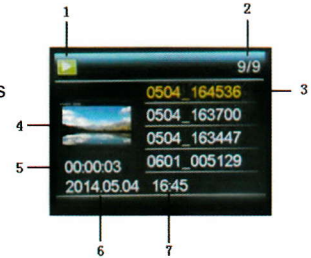


-5-

The DVR default setting is Video mode. Under standby mode, press Mode button to enter picture mode, aim at the object you want to shoot and press Power button, DVR will save the picture automatically.

## Playback Mode

1. Playback icon
2. File number / total number of files
3. Select the file you want to play
4. File Preview
5. File length
- 6.7. Date stamp



In standby mode, press the Mode button to switch to Playback mode, press the UP/Down button to select the video / picture you need, press the power button to Preview / playback. Press the Power button to stop playing.

## Menu Setting

In standby mode, long press Up button to enter the menu mode, then press the Mode button can switch mode menu and System menu. Press the Down button to page down, press the Up button to page up, press the Power button to confirm. Long press the Up button to exit the menu.

Video mode/Picture mode/Playback mode each have two menus: Mode menu and System menu. The systems are all the same.

## Video Menu:

Movie Size: 1080P 25fps/1080P 30fps/1080P 50fps/1080P 60fps/  
720P 60fps/720P 50fps/720P 30fps/720P 25fps/  
720P 120fps/1440P 30fps/VGA240fps

-6-

Video quality: super fine / fine / normal

seamless : OFF / 1 minute / 3 minutes / 5 minutes

Slow Motion: Off / Auto

Time Lapse: Off / 0.5sec / 1sec / 3sec / 5sec / 10sec / 30sec / 1min

White Balance: Auto / Daylight / Cloudy / Tungsten / Fluor

Exposure: -2.0 -1.0 +0.0 +1.0 +2.0

Motion detect: OFF / ON

Date stamp: Off / Date / Date & Time

Invert Mode: OFF / ON

WiFi password: 1 2 3 4 5 6 7 8 9 0

Time Zones: -12-11-10-9-8 -7-6-5-4-3-2-1 +0 +1 +2 +3 +4 +5 +6  
+7 +8 +9 +10 +11 +12

TV out: Yes / No

Remote Pair: Off/On

Format: Yes / No

System: Factory Reset / System Info / Card Info

#### picture menu:

Resolution: 12M / 8M / 5M / 3M

White Balance: Auto / Daylight / Cloudy / Tungsten / Fluor

Exposure: -2.0 -1.0 +0.0 +1.0 +2.0

Driver Mode: Off / 2S / 10s / Double

Periodical Snap: Off / 5S / 10S

Photo Burst: off / 3fps / 5fps / 10fps

#### Playback mode menu:

Please select File type!

VIDEO

JPG

Protect: Single / Protect All / Unprotect All

Delete: Single / All

#### System menu:

Sounds: Beep (on / off) / Volume (0/1/2/3) Voice Rec (on / off)

Power frequency: 50Hz / 60Hz / Auto

Power Save: Off / 1 min / 3 min / 5 min

Date & Time: 02/06/2012 19:17 Year / Month / Day

Language: English / Traditional Chinese / Simplified Chinese /  
German / French / Spanish / Russian / Italian / Thai /  
Japanese

#### Remote Control Description

There are two buttons on the remote controller, press the video button to start/stop the recording. Press the picture button to take pictures. Press the picture button to capture under video mode.

#### Matching the remote control:

Set "Remote Pair" in the menu to On, keep pressing the two buttons on the remote control, you can see blue light of Remote control flashing, release the two buttons after 3 seconds, press the power button of the DVR to exit the Remote Pair and return to preview mode, take video or pictures via the remote control. If you can operate it is successful, if not, please repeat above operation. Please keep the camera and remote control within 1M when matching.

#### Install and use WiFi

1. Scan the QR code on the gift box to get the APP;
2. Install the APP in your smart phone
3. Set the WiFi password in the Menu. (The default password is 1234567890).
4. Long press Mode Button to Open WiFi function.
5. Find "customer\_10036f" in the WiFi list of smart phone, enter the password to connect it.
6. When smart phone connects to the camera, the camera screen will display "customer\_10036f", the WiFi indicator will light. If the connection does not succeed, the WiFi indicator will keep flashing.





- Find the APP in smart phone, then you can control the camera via the smart phone.
- Press Mode Button again to exit the WiFi setting.

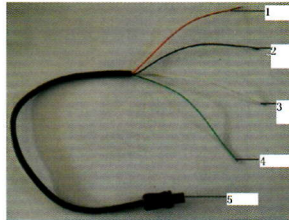
### Connect HDMI

Connect the DVR to the TV via the HDMI cable, all operations can be displayed in high-definition TV screen.

### Connect TV

Connect the DVR to the TV via the TV cable, set the menu “TV mode” to Yes, press Power button to confirm, then all operations can be displayed in TV screen.

- The positive pole of the power 5v
- The negative pole of the power
- Video output
- Audio output
- USB port



### Playback on PC

Connect the camera to PC, camera will power on automatically, the screen display: “MSDC”, “PCCAM”, “Working”. Press Up button or Down button to choose the option, press Power button to confirm.

MSDC: Enter the MSDC to check the files.

PCCAM: Camera will be worked as PCCAM.

Working: Camera can be used Normally and be powered by the PC.

### Technical specification

Camera Size	61*45*25mm (Not include the lens)
weight	58g(Not include battery)
Sensor	5 Mega CMOS 1/2.7"
Lens	6G+IR F=2.0 f=2.8mm
View angle	160 degree
Resolution	1920*1440p30fps, 1920*1080p60/50/30/25fps, 1280*720p120/60/50/30/25fps, 640*480p240fps
Image Size	12M 8M 5M 3M
File formats	JPG/MOV/H.264
Memory card	4GB to 32GB.(Micro SD Card Class6 above)
Audio	Built-in microphone / speaker
USB port	USB 2.0 high-speed interface for charging and data transfer
screen	HD 2" TFT 960x480
Seamless loop recording	Optional 1/3/5 minutes
HDMI output	Real-time transmission
White balance	support
Exposure compensation	support
Capture	Support by DVR and remote control
Continuous	support
Time Lapse	support
Image Invert	support
Slow Motion	support
WiFi frequency	2.4GHz-2.4835GHz
WiFi support phone system	IOS6.1 and above, Android 4.0 and above
WiFi function	Image transmission, remote control, settings, sync and sharing albums
WiFi distance	30m
Wireless transmission	IEEE 802.11b/g/n
Battery capacity	Lithium-ion batteries can be changed.1050mAh,recording for over 3 hrs
Language	Simplified Chinese / Traditional Chinese / English / Russian / French / Spanish / Italian / German/Thai
Waterproof	50 meters
Remote control frequency	2.4GHz
Remote control waterproof	Ip65
Remote control distance	15m

**Notice: The manufacturer however reserves the right to amend the specifications according to market demand without notice.**