

# HEATSTAR



## HEATSTAR RADIANT PANEL HEATER

### USER MANUAL

Models:

THP750S

THP450



RADIANT PANEL HEATERS

### TABLE OF CONTENTS

1. Important Safety Instructions
2. Specification Data
3. Selection Guidelines
4. Installation and Operating Instructions – THP750S
  - 4.1 Model THP750S
  - 4.2 Ceiling Mounting
  - 4.3 T-Bar Ceiling Mounting
  - 4.4 Flush Mounting
  - 4.5 Security Mounting
5. Installation and Operating Instructions – THP450
  - 5.1 Model THP450
  - 5.2 Ceiling Mounting
  - 5.3 Wall Mounting
6. Warranty

# HEATSTAR



RADIANT PANEL HEATERS

## I. Important Safety Instructions

- ***Prior to installing and operating the heater, read these instructions carefully and retain for future reference.***
- Indoor use only.
- Ensure the rated voltage is **230-240V**.
- Do not install the heater directly below a socket.
- Do not operate this appliance if the cable or plug becomes damaged.
- In case of heater fault or damaged supply lead, the appliance should be returned to the distributor / manufacturer for repair.
- Ensure the appliance is switched OFF before connecting to the mains power supply.
- Do not cover heater in any manner, as the appliance may overheat and become a fire risk.
- Do not operate in areas where gasoline, paint or other flammable liquids are used or stored.
- Switch off the power supply and unplug from the mains socket when not in use, before cleaning or changing accessories.
- Do not immerse in liquid or allow liquid into the interior of the appliance, as this could create an electric shock hazard.
- Do not operate appliance with wet hands. Always ensure that hands are dry before operating or adjusting any switch on the product or touching the plug and mains supply connections.
- Do not cover. NEVER use the heater to dry clothes or similar articles.
- Do not position the appliances close to curtains or other combustible materials. Keep combustible material such as furniture, cushions, bedding, paper, clothes, curtains etc. at least 1.0m away from the heater.
- This appliance heats up when in use. To avoid burns, do not let bare skin touch hot surface. Switch off and let cool down before moving. Store the heater in a cool, dry location when not in use.
- This appliance is not intended for use by persons (including children) with reduced physical, sensory or mental capabilities, or lack of experience and knowledge, unless they have been given supervision or instruction concerning use of the appliance by a person responsible for their safety.

# HEATSTAR



## 2. Specification Data

Model	Power (W)	Voltage (V)	Dimension (mm)	Rating
THP750	750W	230-240V	1190 x 590 x 30mm	IP44
THP450	450W	230-240V	1080 x 380 x 25mm	IP44

## 3. Selection Guidelines

For comfort heating applications, a heat load calculation should be made and HEATSTAR units selected to meet the heating requirements.

### Model THP750S

The THP 750S model is designed for ceiling mounting. As a guideline for normally insulated areas with a ceiling height from 2.4 to 3.6m, allow 15 square meters of floor space per heater.

For example, a room of 45 square meters would require 3 x THP 750S units  
(45 sq m ÷ 15 sq m = 3 units)

Note: The THP 750S will heat larger rooms than 15 square meters but a longer warm up time is required.

For zone heating applications, allow one (1) THP 750S unit per person, and mounting height should be 2.4 meters.

### Model THP450

The THP 450 model is suitable for ceiling or wall mounting. As a guideline for normally insulated areas with ceiling height of 2.4 to 3.2m, allow 9 square meters of floor space per heater.

For example, a room of 18 square meters would require 2 x THP 450 units  
(18 sq m ÷ 9 sq m = 2 units)

Note: The THP 450 will heat larger rooms than 9 square meters but longer warm up time is required.

## 4. Installation and Operating Instructions – THP 750S

### 4.1 Model THP750S

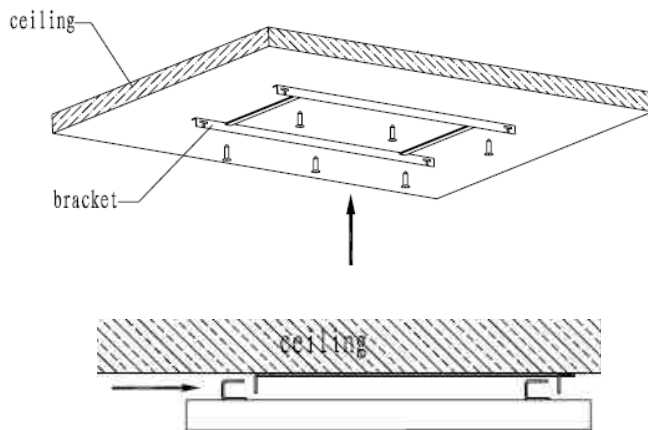
The THP 750S is designed to mount directly onto ceilings, suspend from high ceilings, fit into T-Bar ceilings, or flush mount in plastic ceilings.

It is recommended that an appropriate thermostat control and or timer control is used in conjunction with the THP 750S.

### 4.2 Ceiling Mounting

Fix mounting bracket in the desired location with suitable fixing devices more than capable of safely supporting the heater.

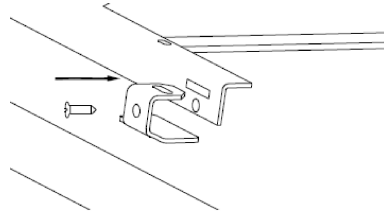
The fixing devices should be suitable for the type of mounting surface; plaster, timber, concrete etc



Position the heater onto the bracket



Then use the 2 screws provided to lock the heater into the bracket.



### 4.3 T-Bar Ceiling Mounting

Remove ceiling tile from the standard 600 x 1200 T-Bar ceiling grid and fit the heater into position.

### 4.4 Flush Mounting – Plaster Ceilings

Purchase a standard 600 x 1200 flush mounting bracket (same as used for skylight brackets). Fit flush mounting bracket into ceiling, and locate heater into bracket.

### 4.5 Security Mounting – Prison Locations

Special security mounting brackets are available from Thermofilm. These are suitable for high security locations and areas where vandalism may occur.

## 5. Installation and Operating Instructions – THP 450

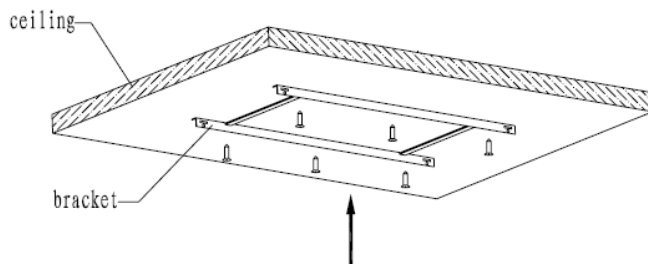
### 5.1 Model THP 450

The THP 450 is designed for wall or ceiling mounting.

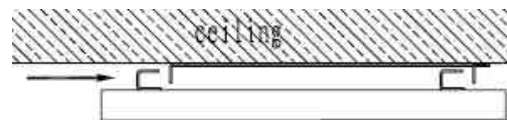
### 5.2 Ceiling Mounting

Fix mounting bracket in the desired location with suitable fixing devices more than capable of safely supporting the heater.

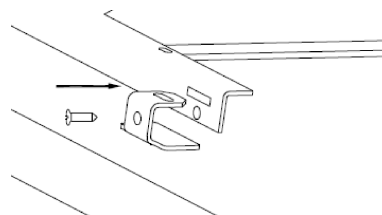
The fixing devices should be suitable for the type of mounting surface; plaster, timber, concrete etc



Position the heater onto the bracket



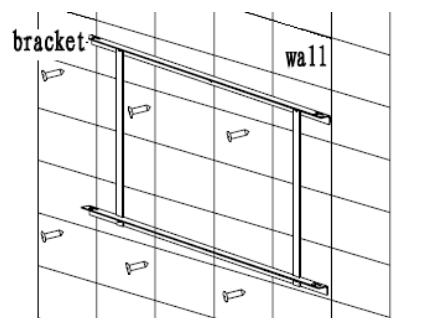
Then use the 2 screws provided to lock the heater into the bracket.



### 5.3 Wall Mounting

Fix mounting bracket in the desired location with suitable fixing devices more than capable of safely supporting the heater.

The fixing devices should be suitable for the type of mounting surface; plaster, timber, concrete etc

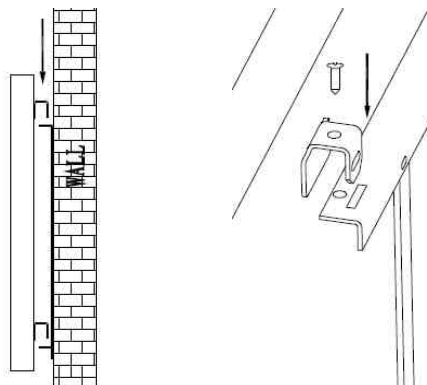


# HEATSTAR



RADIANT PANEL HEATERS

Position the heater onto the bracket



Then use the 2 screws provided to lock the heater into the bracket.

## 5. Warranty

HEATSTAR heaters have a TWO (2) YEAR WARRANTY\*.

To claim for Warranty, please retain your receipt as proof of purchase and return the faulty heater to the place you purchased it.

Warranty does not apply to heaters which have been misused or used in conditions other than those for which they were intended for. Nor will it apply in the event of damage or accident resulting from negligence, lack of care or maintenance, or if the heater has been modified in any way.

Thermofilm Australia Pty Ltd reserve the right to reject any Warranty claim deemed to be false.

Retailers must have Warranty claims authorised by Thermofilm Australia. Ph 03 9562 3455

\* Conditions apply. Please refer the Thermofilm standard terms of sale and warranty for details.