

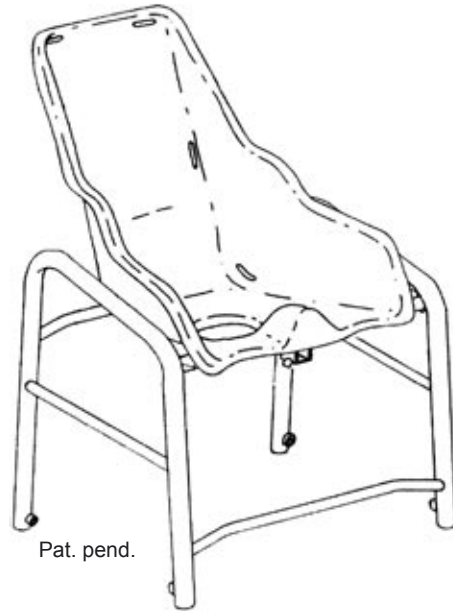
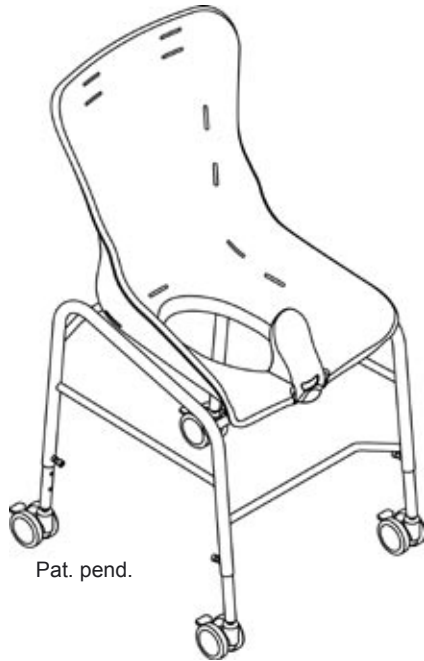
R82<sup>®</sup> 

swan<sup>™</sup>

English user manual

## **GB** CONTENTS

Safety .....	4
Guarantee .....	4
Washing.....	4
Tools .....	4
Maintenance .....	4
Preparing for use .....	5
Height Adjustment .....	6
Seat angling .....	6
Mounting wheels .....	7
Disassembling the wheels .....	7
Head rest.....	8
Mounting various belts .....	8
Mounting the upholstery .....	9
Splash guard .....	10
Mounting the pan.....	10
Footrest .....	11
Product identification .....	12
Measurements.....	13
Accessories .....	14
Technical data .....	14
Producer .....	14
Distributor .....	14



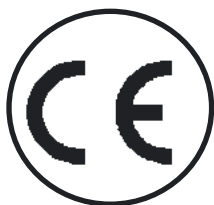
## **GB** SWAN

The Swan is a classic commode from R82. The seat is made of fibre glass and the frame of powdercoated and stainless steel respectively, which means the Swan is also splendid as a bathing chair.

The Swan has been especially developed by R82 after many years of experience designing and manufacturing custom-made aids for disabled children and adults. The ergonomic design of the chair and its many functions and features offer the user and the caregiver the highest possible standards of comfort and safety.


The Swan glides over most toilets, or it can be equipped with a commode pan. The Swan is available in seven different sizes with an extensive range of accessories.


The seat tilts 45° and the legs are height adjustable so that the seat can be adjusted 17 cm in height.



## GB SAFETY

The Swan has earned the CE-mark. This certifies that it meets all relevant European safety requirements.

 Remove the CE-mark, when rebuilding the product or when using other than original R82 spare parts and fittings.

 Never leave your child unattended in this product. Ensure permanent supervision by an adult. Incorrect use of the Swan, may cause serious injury to the user. Take care that all the fixations and adjustments are placed and fitted correctly and check it on a regular basis.

## GB GUARANTEE

Notification of defects will be received at R82 A/S within two years.

The Swan is guaranteed for 12 months. The guarantee is only valid when using original R82 spare parts and fittings. All special adjustments must be made by R82. R82 will not be held responsible for damage or injury caused by use of non-original parts or repairs made by a non-authorized R82 person.

## GB WASHING

It is important to keep the frame clean to maintain the warranty of the chair. The upholstery is washable by hand at 50°C.





## GB TOOLS

On the back of the chair you will find a 6 mm Allen key. This key is used to perform some of the adjustments described in this manual.

## GB MAINTENANCE

Clean the chair frequently. Use a concentrate of acetic acid if calcareous deposits turn into a problem. Rinse off after 10-15 minutes with clean water.

 Do not use any cleaning materials containing chlorine or methylated spirit.

 Adjustments which are not described in this manual, must only be made by authorized R82 personnel.

## **GB** PREPARING FOR USE

Follow the instructions below to ready your Swan for use:

- 1) Remove the wrapping and wipe the chair with a cloth before use.
- 2) Remove the wooden bar on the back of the frame, which protect the chair during transportation.

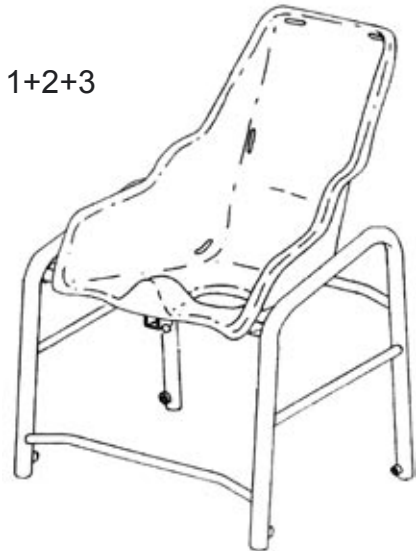
Follow the instructions on the next pages to adjust the chair and accessories.

The Swan is ready for use.

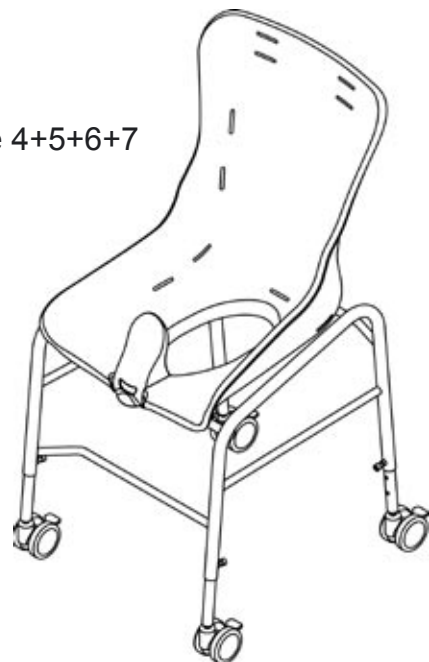


Do not use any cleaning materials containing chlorine or methylated spirit.

Size 1+2+3



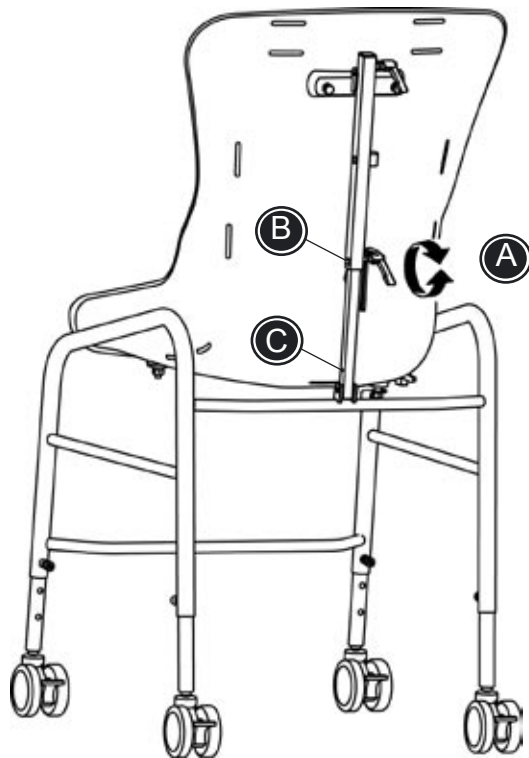
Size 4+5+6+7






## **GB** HEIGHT ADJUSTMENT

- 1) Start by loosening all screws (A). Remove the screws. Left rear wheel and both front wheels are to be adjusted to the holes in the internal rod.
- 2) Tighten the screws when the desired height is reached.
- 3) The right rear wheel is for adjustment and to avoid rocking. Adjust the fourth leg so the chair is at the right plane.




## **GB** SEAT ANGLING

- 1) Loosen the locking handle (A)
- 2) Push the spring clip (B), and carefully tilt the seat unit.


 Do not tilt the seat unit further back than the lower spring clip (C).

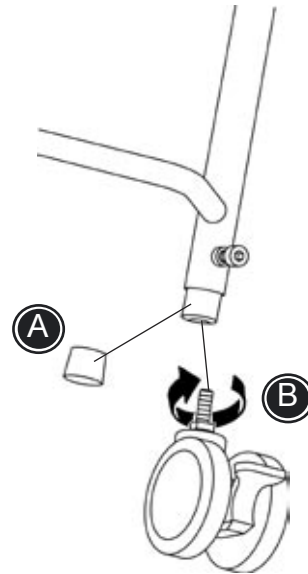
- 3) Tighten the handle (A), when the seat unit is in the required position

 Always make sure you have a grip off the seatback, before loosening the tightening handle.

## **GB** MOUNTING WHEELS

- 1) Remove the ferrules (A)
- 2) Screw on the wheels (B) and tighten with a 13 mm spanner.

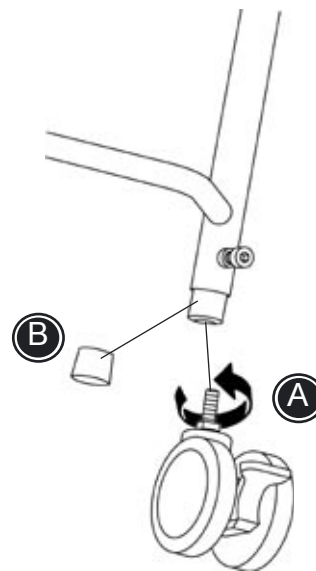
 For information on adjusting the height, see passage on 'Height adjustment'

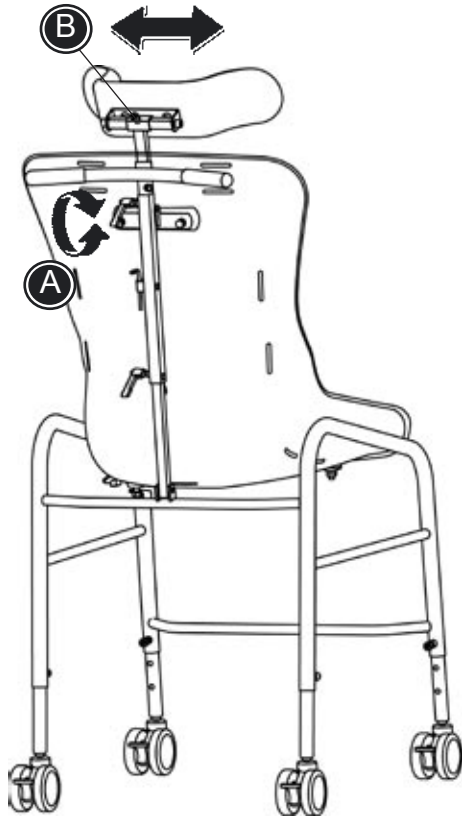


## **GB** DISASSEMBLING THE WHEELS

Follow the instructions below to disassemble the wheels on swan:

- 1) Loosen the screws (A) with a 13 mm spanner.
- 2) Mount ferrules (B) at the end of the legs.





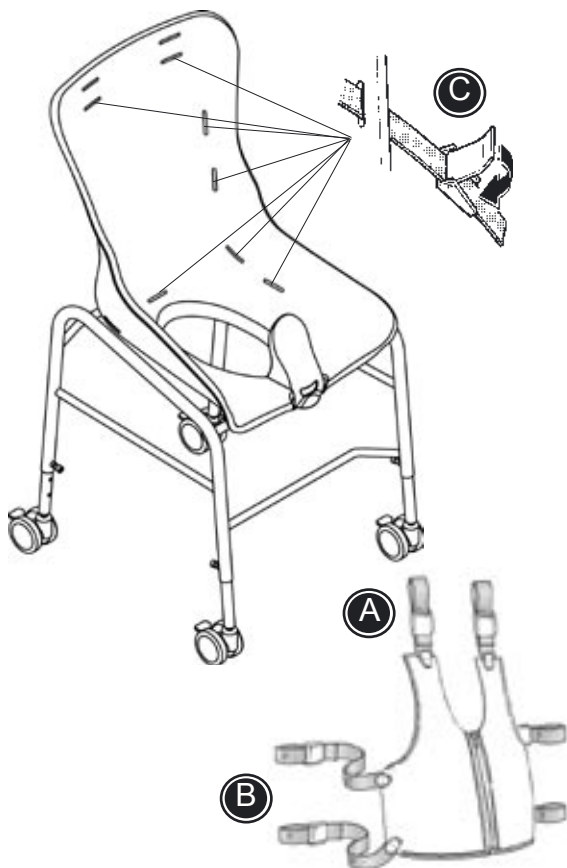
## GB HEADREST

- 1) Loosen the tightening handle (A) and place the headrest in the white fitting. Tighten the handle when the requested height is reached.
- 2) Loosen the screw (B) to adjust the headrest from side to side.

### Push handle


- 1) Loosen the tightening handle (A) and place the push handle in the white fitting. Tighten the handle when the requested height is reached.

If both headrest and push handle is required, the push handle is mounted on the headrest bar. Mount the headrest as mentioned above. The extra bar is not needed.



## GB MOUNTING VARIOUS BELTS

- 1) Mount the shoulder straps (A) in the slots in the back, according to the height of the child. Attach behind the seat with the snap lock.
- 2) Mount the hip straps (B) in the slots in the seat, and attach behind the seat with the snap lock.
- 3) The belts can be adjusted by means of the snap lock.

 If upholstery is mounted, please cut through welding line to mount the vest or belt.

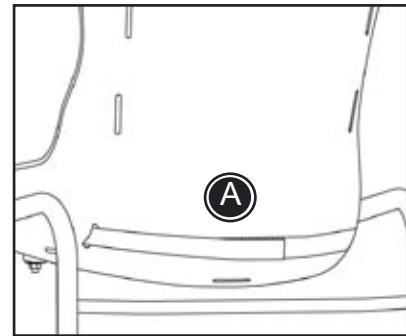


## **GB** MOUNTING THE UPHOLSTERY

To mount the upholstery correctly, follow below instructions.

Swan size 1+2+3:

- 1) Place the upholstery in the chair and lead the Velcro straps through the slots in the seat.
- 2) Velcro the straps together behind the seat. (A)

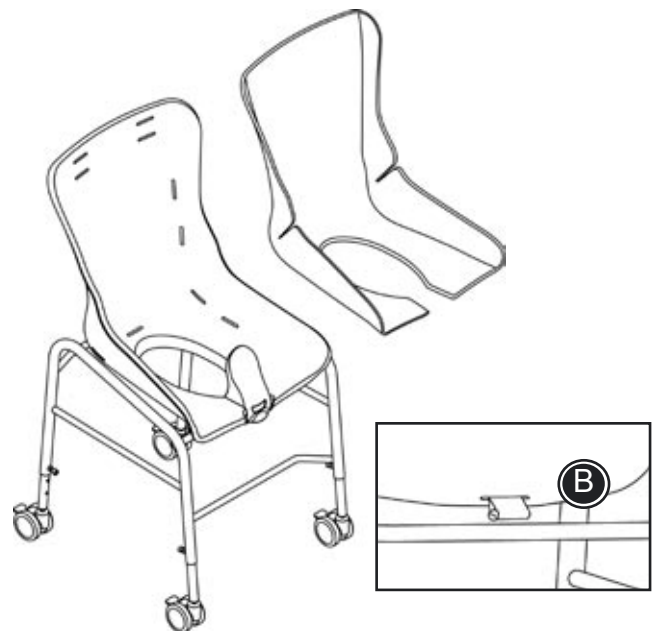


Swan 4+5+6+7:

- 1) Place the upholstery in the seat, and pull the white strap through the slot in the seatback.
- 2) Use the white holder (B) to mount through the strap and tighten.



We recommend that the upholstery is frequently cleaned with normal cleaning material. The upholstery can be cleaned by hand in up to 50° warm water.





## **GB** SPLASH GUARD

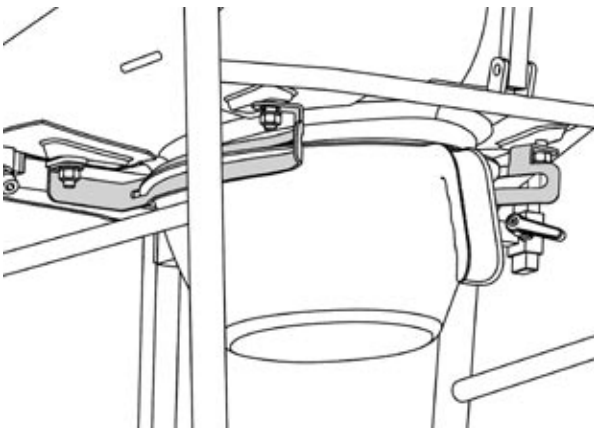
Only for size 4+5+6+7

To mount the splash guard just push it down until it locks.

To remove the splash guard pull out the front edge and lift.

## **GB** MOUNTING THE PAN

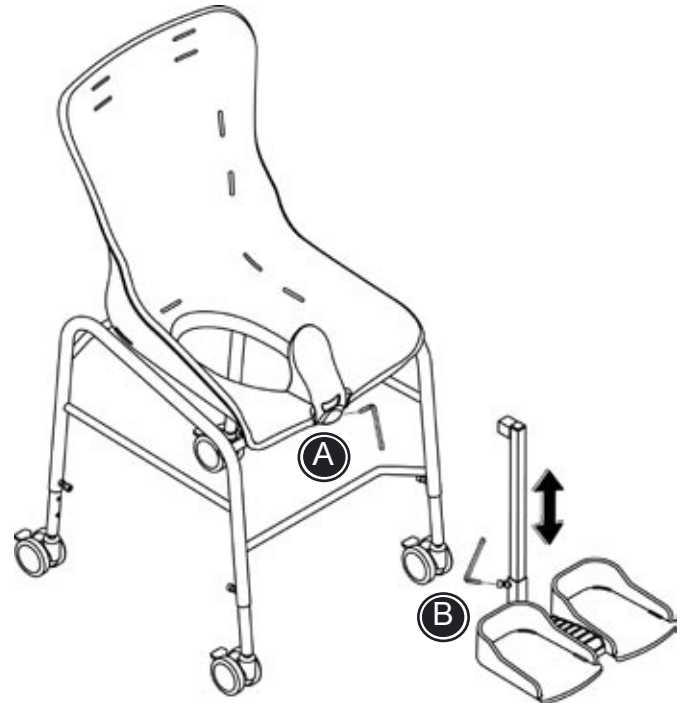
The pan is mounted from the back of the chair.

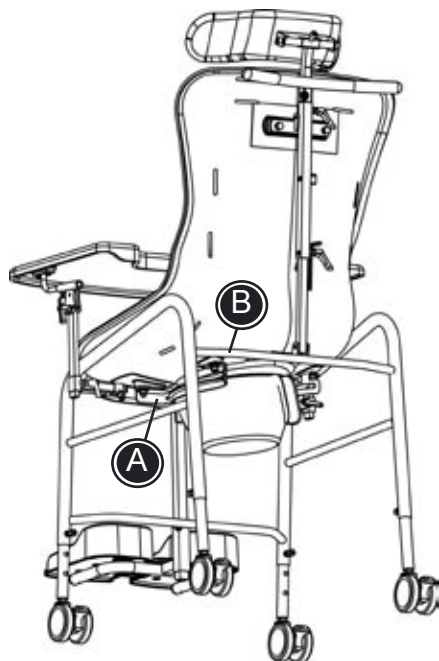


## **GB** FOOTREST

Follow the instructions below to mount the footrest correctly:

- 1) Loosen the screw (A). Place the horizontal part of the footrest bar into the fitting under the seat.
- 2) Tighten the screw (A)
- 3) Loosen the screw (B) on the footplate and mount the footplate from below. Tighten the screw when the required height is reached.





## **GB** PRODUCT IDENTIFICATION

### A) Serial number

The label is placed on the pan holder.

### B) Manufacturer

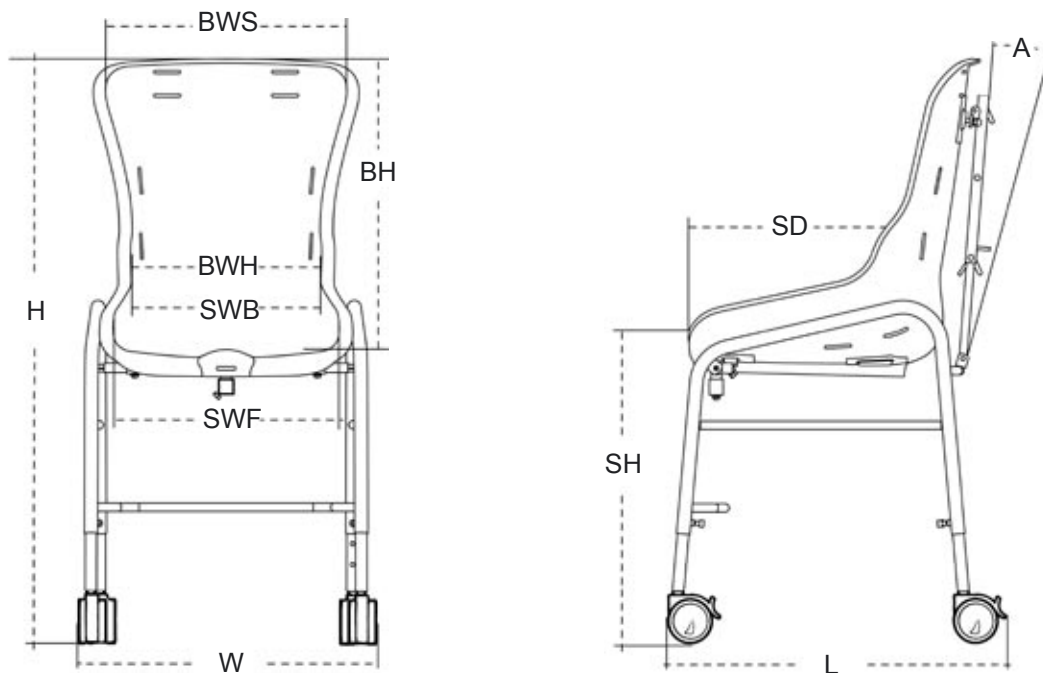
The label is placed on the top bar on the back of the frame.

**A**



**B**





## GB MEASUREMENTS

	Size 1	Size 2	Size 3	Size 4	Size 5	Size 6	Size 7
	cm (inch)	cm (inch)	cm (inch)	cm (inch)	cm (inch)	cm (inch)	cm (inch)
Height, standard with wheels (H)	68-84 (26½-32¾")	68-84 (26½-32¾")	79-95 (30¾-37")	71-87 (27¾-34")	78-94 (30½-36¾")	86-102 (33½-39¾")	86-102 (33½-39¾")
Width, standard with wheels (W)	49½ (19¾")	49½ (19¾")	53½ (20¾")	53½ (20¾")	53½ (20¾")	57½ (22½")	65½ (25")
Length, standard with wheels (L)	46 (18")	46 (18")	57 (22")	57 (22")	57 (22")	62 (24¼")	62 (24¼")
Seat height, s.with wheels (SH)	37-53 (14½-20¾")	37-53 (14½-20¾")	48-64 (18½-25")	48-64 (18½-25")	48-64 (18½-25")	48-64 (18½-25")	48-64 (18½-25")
Back width, shoulders (BWS)	22½ (8¾")	22½ (8¾")	25 (9¾")	31 (12")	39 (15¼")	46 (18")	49 (19")
Back width, hips (BWH)	24 (9¼")	24 (9¼")	25½ (10")	28 (11")	31 (12")	35½ (13¾")	43 (16¾")
Back height (BH)	38 (14¾")	38 (14¾")	42 (16½")	40 (15½")	48 (18½")	57 (22")	57 (22")
Seat width, back (SWB)	20 (7¾")	20 (7¾")	23 (9")	25 (9¾")	30 (11¾")	34 (13¾")	41 (16")
Seat width, front (SWF)	30 (11¾")	30 (11¾")	34 (13¾")	36 (14")	38 (14¾")	43 (16¾")	48 (18½")
Seat depth (SD)	20 (7¾")	27 (10½")	32½ (12¾")	32½ (12¾")	38 (14¾")	46 (18")	46 (18")
Angle (A)	18°	18°	18°	27°	22°	20°	20°
Height, without wheels	59-75 (23-29¾")	59-75 (23-29¾")	70-86 (27¼-33½")	62-78 (24¼-30½")	69-85 (27-33¼")	77-93 (30-36¾")	77-93 (30-36¾")
Width, without wheels	46 (18")	46 (18")	50 (19½")	50 (19½")	50 (19½")	54 (21")	62 (24¼")
Length, without wheels	39 (15")	39 (15")	50 (19½")	50 (19½")	50 (19½")	55 (21½")	55 (21½")
Seat height, without wheels	28-44 (11-17")	28-44 (11-17")	39-55 (15¼-21½")	39-55 (15¼-21½")	39-55 (15¼-21½")	39-55 (15¼-21½")	39-55 (15¼-21½")
Weight	7,5 kg (16,5 lb)	8 kg (17,5 lb)	9,5 kg (21 lb)	8,5 kg (18,5 lb)	9,5 kg (21 lb)	10,5 kg (23 lb)	11,5 kg (25,5 lb)
Max load	30 kg (66 lb)	30 kg (66 lb)	60 kg (132 lb)	70 kg (154 lb)	80 kg (176 lb)	90 kg (198 lb)	110 kg (242 lb)

## **GB** ACCESSORIES

	Size 1	Size 2	Size 3	Size 4	Size 5	Size 6	Size 7
Upholstery	87101	87102	87103	87104	87105	87106	87107
Upholstery, version 2	-	-	-	87114	87115	87116	87117
Tray	87032	87032	87034	87034	87034	87036	87037
Push brace	880110	880110	880110	880110	880110	880110	880110
Pan, white	87200	87200	87201	87201	87201	87202	87202
Pan, white, version 2	-	-	-	880128	880129	880130	880130
Footsupport, size 1	87124	87124	87124	87124	87124	87124	87124
Footsupport, size 2	87123	87123	87123	87123	87123	87123	87123
Footsupport, size 3	87125	87125	87125	87125	87125	87125	87125
Footsupport bar, 25 cm	87026	87026	87026	87026	87026	87026	87026
Footsupport bar, 35 cm	87027	87027	87027	87027	87027	87027	87027
Footsupport bar, 50 cm	87028	87028	87028	87028	87028	87028	87028

## **GB** TECHNICAL DATA

Seat: Glass fibre  
 Frame: Stainless steel/powdercoated

## **GB** PRODUCER

R82 A/S  
 Parallevej 3  
 8751 Gedved  
 Denmark

## **GB** DISTRIBUTOR

*Please find your distributor on [www.r82.com](http://www.r82.com)*