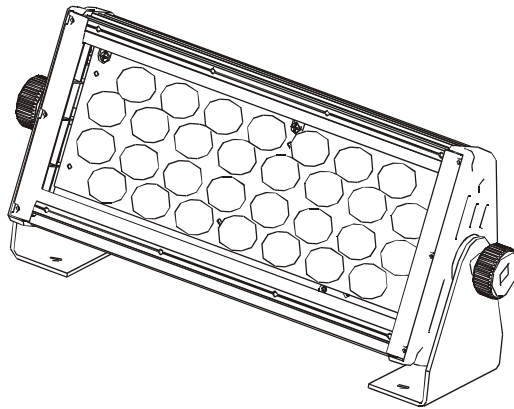


iLED-30 USER MANUAL



Snapshot

OK on Dimmer	⊘
Outdoor OK	✓
Sound Activated	Option
DMX-512	✓
Master/Slave	✓
115V/230V Switch	⊘

Please read these instructions carefully before use.

TABLE OF CONTENTS

1. BEFORE YOU BEGIN.....	2
WHAT IS INCLUDED.....	2
UNPACKING INSTRUCTIONS.....	2
AC POWER	2
SAFETY INSTRUCTIONS.....	3
2. INTRODUCTION	4
FEATURES	4
DMX CHANNEL SUMMARY.....	4
PRODUCT OVERVIEW	5
3. SETUP.....	6
FIXTURE LINKING.....	6
Data Cabling	6
DMX Data Cable.....	6
Cable Connectors.....	7
3-Pin to 5-Pin Conversion Chart	7
SETTING UP A DMX SERIAL DATA LINK	7
MASTER/SLAVE FIXTURE LINKING	8
MOUNTING	9
Orientation	9
Rigging.....	9
4. OPERATING INSTRUCTIONS.....	9
MENU MAP.....	10
MENU FUNCTIONS	11
OPERATION.....	12
Standalone & Master/Slave Operation:.....	12
DMX-512 Mode.....	14
5. APPENDIX.....	14
DMX PRIMER.....	14
PHOTOMETRICS	15
GENERAL MAINTENANCE	16
CLAIMS	16
TECHNICAL SPECIFICATIONS.....	17
Size.....	18

1. BEFORE YOU BEGIN

What is included

- **1 x iLED-30**
- **Users Manual**

Unpacking Instructions

Immediately upon receiving a fixture, carefully unpack the carton, check the contents to ensure that all parts are present, and have been received in good condition. Notify the shipper immediately and retain packing material for inspection if any parts appear damaged from shipping or the carton itself shows signs of mishandling. Save the carton and all packing materials. In the event that a fixture must be returned to the factory, it is important that the fixture be returned in the original factory box and packing.

AC Power

This fixture has an auto-switching power supply that can accommodate a wide range of input voltages. The only thing necessary to do before powering on the unit is to make sure the line voltage you are applying is within the range of accepted voltages. This fixture will accommodate between 100V and 240V AC. All fixtures must be powered directly off a switched circuit and cannot be run off a rheostat (variable resistor) or dimmer circuit, even if the rheostat or dimmer channel is used solely for a 0% to 100% switch.

Safety Instructions



Please read these instructions carefully, this includes important information about the installation, usage and maintenance of this product.

- Please keep this User Guide for future consultation. If you sell the unit to another user, be sure that they also receive this instruction booklet.
- Always make sure that you are connecting to the proper voltage, and that the line voltage you are connecting to is not higher than that stated on the decal or rear panel of the fixture.
- Make sure there are no flammable materials close to the unit while operating.
- Always disconnect from power source before servicing or replacing fuse and be sure to replace with same fuse source.
- Secure fixture to fastening device using a safety chain.
- Maximum ambient temperature (Ta) is 95°F (35°C). Do not operate fixture at temperatures higher than this.
- In the event of a serious operating problem, stop using the unit immediately. Never try to repair the unit by yourself. Repairs carried out by unskilled people can lead to damage or malfunction. Please contact the nearest authorized technical assistance center. Always use the same type spare parts.
- Don't connect the device to a dimmer pack.
- Make sure the power cord is never crimped or damaged.
- Never disconnect the power cord by pulling or tugging on the cord.
- Avoid direct eye exposure to the light source while it is on.
- Do not daisy chain power to more than 20 units at 120V, or 40 units at 230V.

Caution! *There are no user serviceable parts inside the unit. Do not open the housing or attempt any repairs yourself. In the unlikely event your unit may require service, please contact your vendor*

2. INTRODUCTION

Features

- 4-channel DMX-512 LED LIGHT (with ID addressing)
- Blackout/static/dimmer/strobe/pulse
- RGB color mixing with or without DMX controller

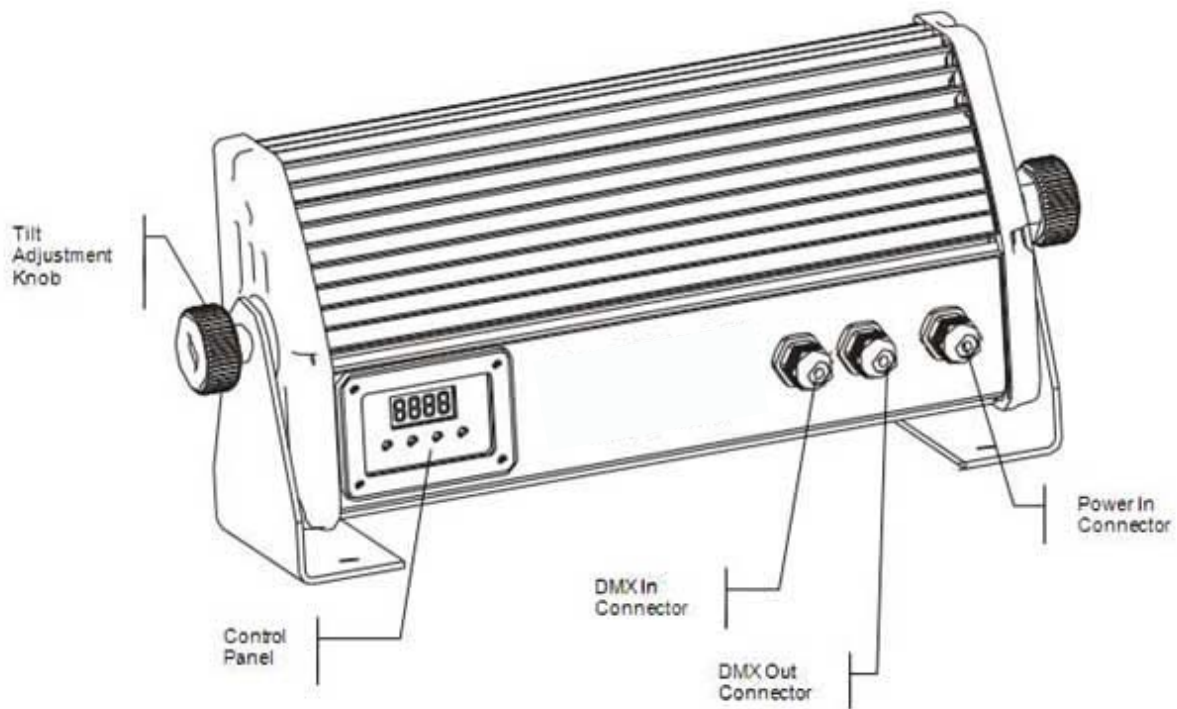
Additional Features

- Durable and weather resistant IP65 rated
- LED display with lock-out feature
- Low power consumption

DMX Channel Summary

Channel	Function	Value/Level
1	Red 0% -> 100%	000-255
2	Green 0% -> 100%	000-255
3	Blue 0% -> 100%	000-255
4	Dimmer 0% -> 100%	000-127
	Strobe Slow -> Fast	128-199
	Color Scroll Fast -> Slow	200-255

Product Overview



3. SETUP

Fixture Linking

You will need a serial data link to run light shows of one or more fixtures using a DMX-512 controller or to run synchronized shows on two or more fixtures set to a master/slave operating mode. The combined number of channels required by all the fixtures on a serial data link determines the number of fixtures the data link can support.

Important: Fixtures on a serial data link must be daisy chained in one single line. To comply with the EIA-485 standard no more than 32 devices should be connected on one data link. Connecting more than 32 fixtures on one serial data link without the use of a DMX optically-isolated splitter may result in deterioration of the digital DMX signal.

Maximum recommended serial data link distance: 500 meters (1640 ft.)

Maximum recommended number of fixtures on a serial data link: 32 fixtures

Data Cabling

To link fixtures together you must obtain data cables. You can purchase certified DMX cables directly from a dealer/distributor or construct your own cable. If you choose to create your own cable please use data-grade cables that can carry a high quality signal and are less prone to electromagnetic interference.

DMX DATA CABLE

Use a Belden© 9841 or equivalent cable which meets the specifications for EIA RS-485 applications. Standard microphone cables cannot transmit DMX data reliably over long distances. The cable will have the following characteristics:

2-conductor twisted pair plus a shield

Maximum capacitance between conductors – 30 pF/ft.

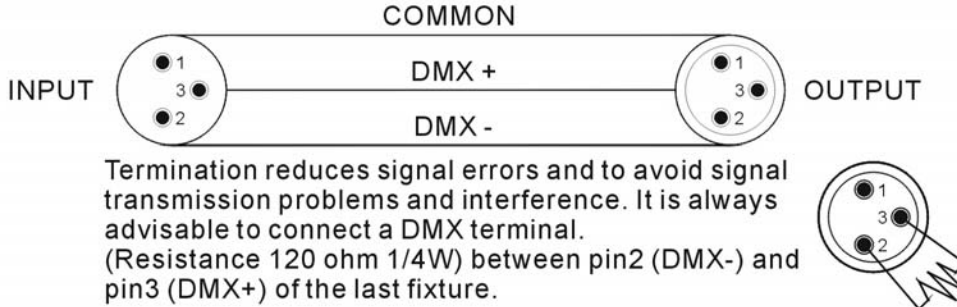
Maximum capacitance between conductor and shield – 55 pF/ft.

Maximum resistance of 20 ohms / 1000 ft.

Nominal impedance 100 – 140 ohms

CABLE CONNECTORS

Cabling must have a male XLR connector on one end and a female XLR connector on the other end.



CAUTION: Do not allow contact between the common and the fixture's chassis ground. Grounding the common can cause a ground loop, and your fixture may perform erratically. Test cables with an ohm meter to verify correct polarity and to make sure the pins are not grounded or shorted to the shield or each other.

3-PIN TO 5-PIN CONVERSION CHART

Note! If you use a controller with a 5 pin DMX output connector, you will need to use a 5 pin to 3 pin adapter.

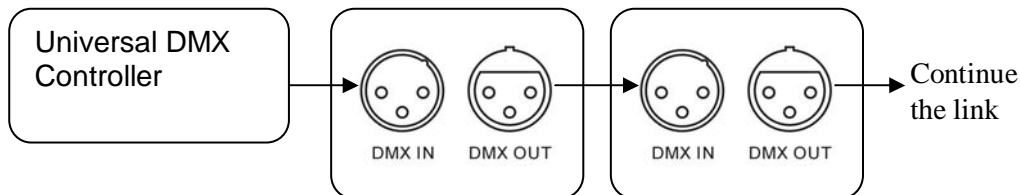
The chart below details a proper cable conversion:

3 PIN TO 5 PIN CONVERSION CHART

Conductor	3 Pin Female (output)	5 Pin Male (Input)
Ground/Shield	Pin 1	Pin 1
Data (-) signal	Pin 2	Pin 2
Data (+) signal	Pin 3	Pin 3
Do not use		Do not use
Do not use		Do not use

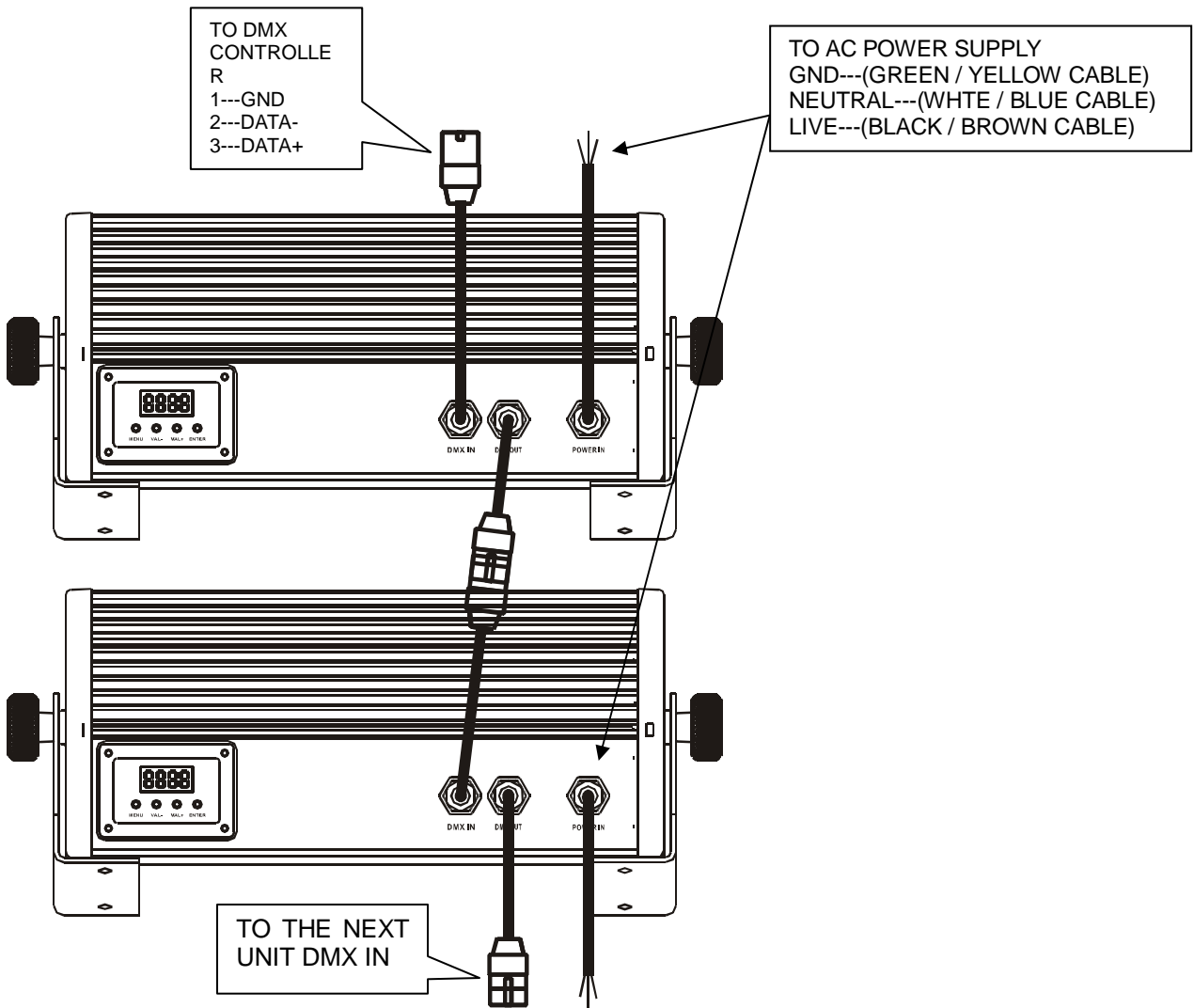
Setting up a DMX Serial Data Link

1. Connect the (male) 3 pin connector side of the DMX cable to the output (female) 3 pin connector of the controller.
2. Connect the end of the cable coming from the controller which will have a (female) 3 pin connector to the input connector of the next fixture consisting of a (male) 3 pin connector.



Master/Slave Fixture Linking

1. Connect the (male) 3 pin connector side of the DMX cable to the output (female) 3 pin connector of the first fixture.
2. Connect the end of the cable coming from the first fixture which will have a (female) 3 pin connector to the input connector of the next fixture consisting of a (male) 3 pin connector. Then, proceed to connect from the output as stated above to the input of the following fixture and so on.
3. If the client requests the AC power cable with the plug, we may configure it.



often, the setup for Master-Slave and Standalone operation requires that the first fixture in the chain be initialized for this purpose via either settings in the control panel or DIPswitches. Secondly, the fixtures that follow may also require a slave setting. Please consult the "Operating Instructions" section in this manual for complete instructions for this type of setup and configuration.

Mounting

ORIENTATION

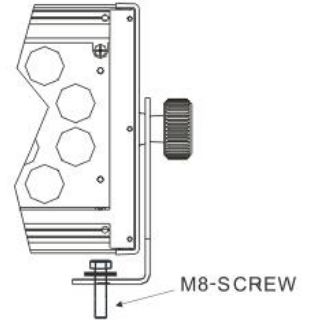
This fixture may be mounted in any position provided there is adequate room for ventilation.

RIGGING

It is important never to obstruct the fan or vents pathway. Mount the fixture using four 8mm screws. Adjust the angle of the fixture by loosening both knobs and tilting the fixture. After finding the desired position, retighten both knobs.

- When selecting installation location, take into consideration lamp replacement access and routine maintenance.
- Safety cables must always be used.
- Never mount in places where the fixture will be exposed to rain, high humidity, extreme temperature changes or restricted ventilation.

Hanging Clamp



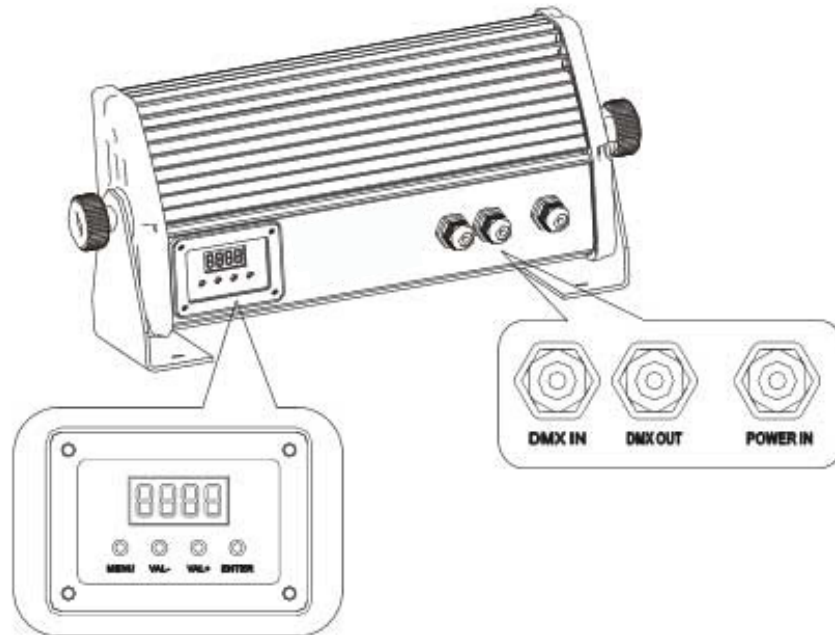
Note!
Clamp is sold separately.

4. OPERATING INSTRUCTIONS

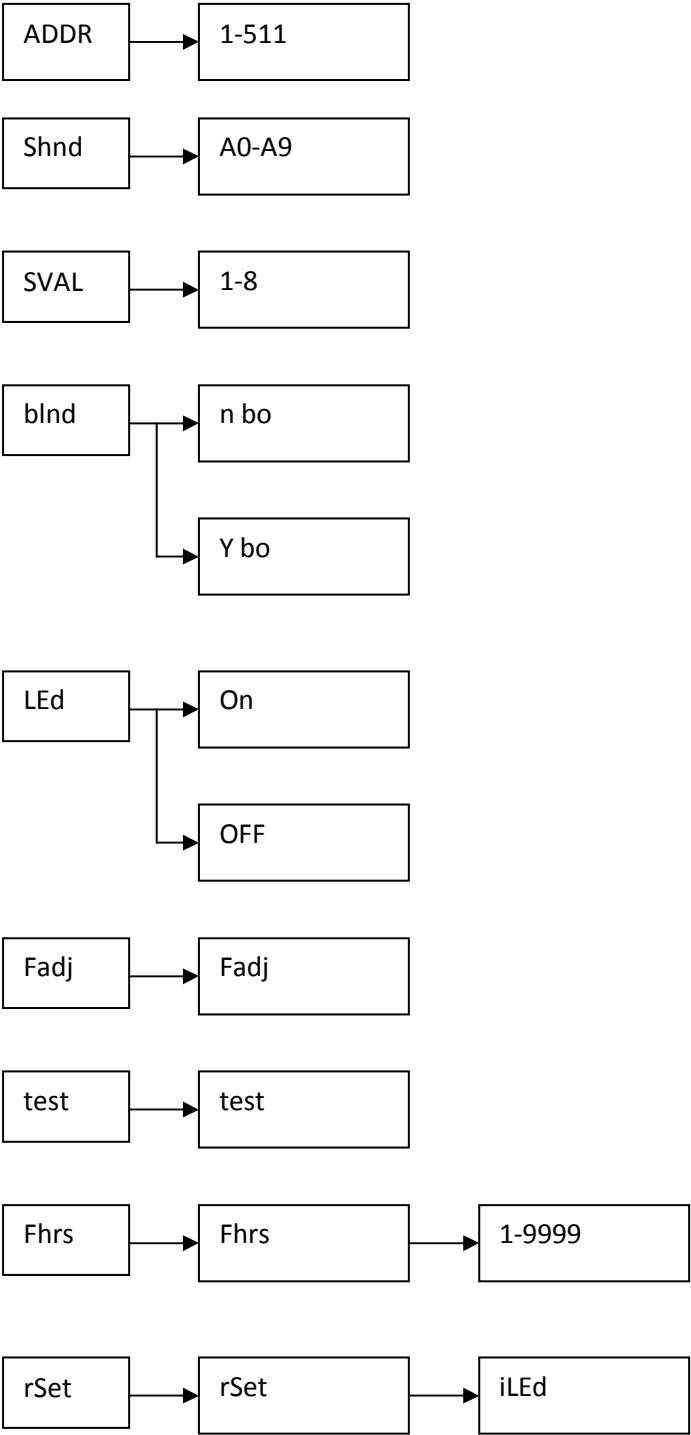
Navigating the Control Panel

Access control panel functions using the four panel buttons located directly underneath the LED Display.

Button	Function
<MENU>	To select the programming functions.
<ENTER>	To confirm the selected functions.
<VAL+>	To setting DMX value up.
<VAL->	To setting DMX value down.



Menu Map



Menu Function

Menu Display	Function	Values	
ADDR	Set the DMX address of the unit.	Set between 1 and 511. Each unit is 4 DMX channels	
Shnd	Sound controlled built in programmes	A0 to A9	
SVAL	Speed/Fade Settings/ single color selection for Shnd programs	1 to 8	
blnd	Control on/off function of the light	y bo	Unit is blacked out (off)
		n bo	Unit is on and pre-programs can be used
LED	Setting for the LED display to be on or off when not being used	on	LED display is always on
		OFF	The LED display will turn off after 10 seconds. Press the [MENU] button to illuminate the LED display
Fadj	In this mode, pressing the [ENTER] button will change the color and hold. Press [Enter] again the next color will output		
test	In this mode, a range of colors will cycle through when [ENTER] is pressed.		
Fhrs	Display the number of operational hours of the unit by pressing [ENTER]		
rSet	Reset the unit by pressing [ENTER]		

Operation

Standalone & Master/Slave Operation

When multiple units are linked together via 3pin XLR cables (sold separately), the first unit in the chain will act as the Master and will send data (DMX-512) to the other units (Slaves).

By linking the units in master/slave connection, the first unit will control the other units to give an automatic synchronized light show.

The unit is normally without sound activated function. If the client request the unit with sound activated function and it is only used in the indoor case ,we may configure the function.

iLED-30 has built-in programs that are accessed via [Shnd] Menu.

<i>Shnd Pre-Programmes</i>		<i>SVAL Settings</i>	
A0	The LEDs fade continuously between the preset 12 colors in loop mode	1-8	Select one fade time from 1 to 8. 1 1sec 2 2sec 3 3sec 4 4sec 5 5sec 6 6sec 7 8sec 8 10sec
A1	The preset 12 colors step continuously in loop mode	1-8	Select one color hold time from 1 to 8 1 1sec 2 2sec 3 3sec 4 4sec 5 5sec 6 6sec 7 8sec 8 10sec
A3	Glittering, the color changes constantly in loop mode	1-8	Select one color hold time from 1 to 8 1 1sec 2 2sec 3 3sec 4 4sec 5 5sec 6 6sec 7 8sec 8 10sec

A4	iLED-30 reacts to sound only, changing color with the music. When the music/sound stops the LED PARCan stays on the last color	1-8	Option
A5	iLED-30 reacts to sound only, changing color with the music. When the music/sound stops the LED PARCan turns off after 10 seconds	1-8	Option
A6	iLED-30 reacts to sound only, changing color with the music. When the music/sound stops the LED PARCan will be change color once after 3 seconds	1-8	Option
A7	iLED-30 reacts to sound only, Strobing quickly and changing color with the music. When the music/sound stops LED light will turn off after 1.2 seconds	1-8	Option
A8	iLED-30 reacts to sound only, Glittering and changing color with the music. When the music/sound stops LED light will turn off after 2.4 seconds	1-8	Option
A9	iLED-30 single color selection	1-8	1 Red 2 Orange 3 Yellow 4 Green 5 Cyan 6 Blue 7 Magenta 8 White

DMX-512 Mode

If you use a universal DMX controller to control the units, you have to set DMX address from 1 to 511 channel so that the units can receive DMX signal.

Press the MENU button up to when the **Addr** is showing on the display. Pressing ENTER button and the display will light on. Use “VAL- “ and “VAL+ “ button to change the DMX-512 address. Once the address has been selected, press ENTER button to storing the setting. To go back to the functions without any change press the MENU button again. Please refer to the following diagram to address your DMX-512 channel for the units.

4 DMX-512 channels:

DMX Channels

Each iLED-30 has 4 control channels, DMX channel value refer to the 5th page.

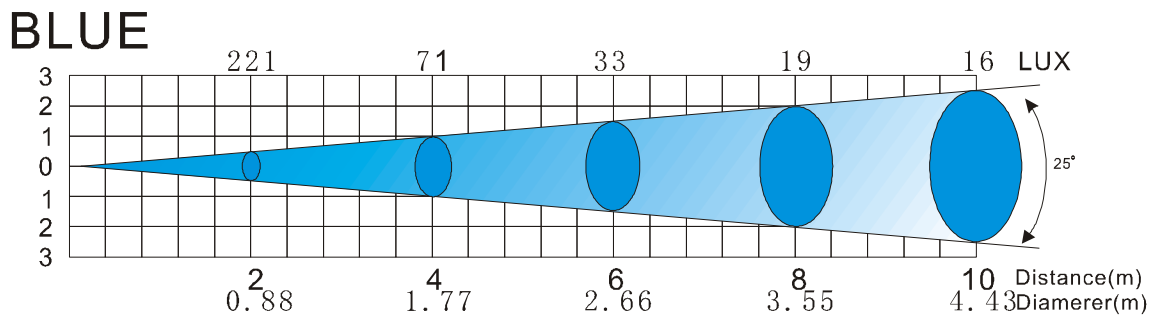
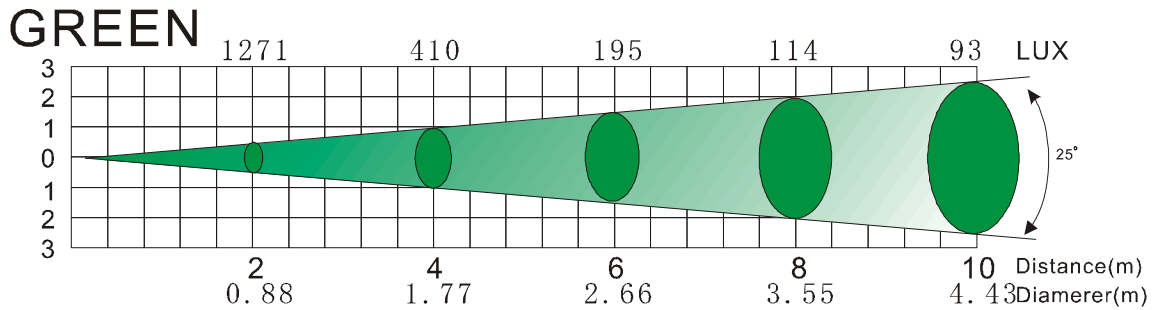
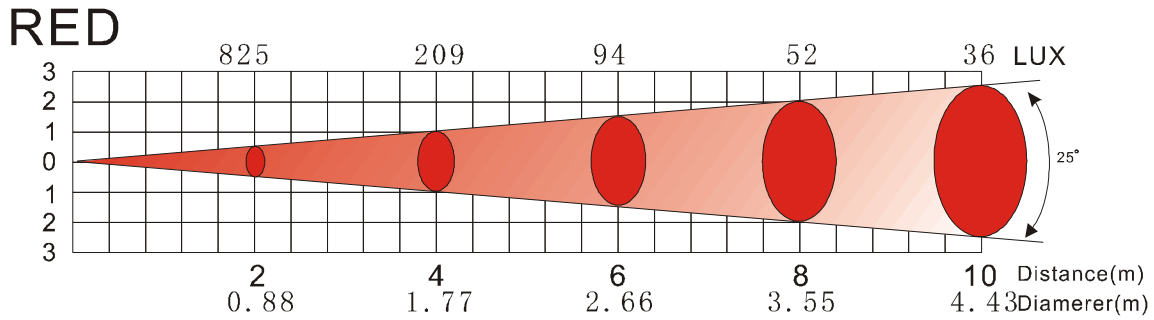
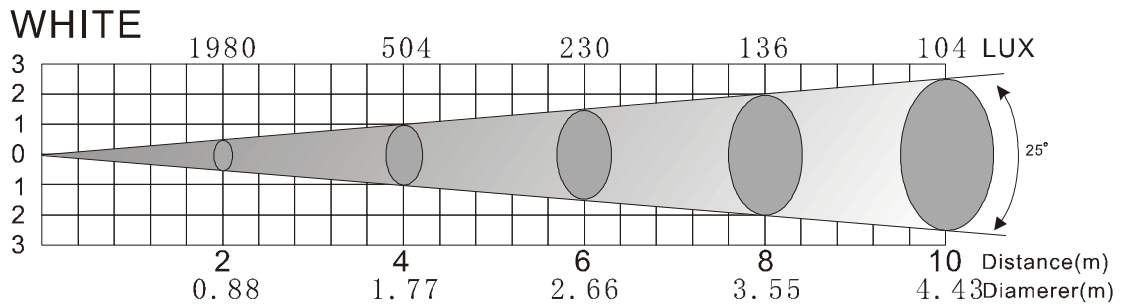
5. APPENDIX

DMX Primer

There are 512 channels in a DMX-512 connection. Channels may be assigned in any manner. A fixture capable of receiving DMX-512 will require one or a number of sequential channels. The user must assign a starting address on the fixture that indicates the first channel reserved in the controller. There are many different types of DMX controllable fixtures and they all may vary in the total number of channels required. Choosing a start address should be planned in advance. Channels should never overlap. If they do, this will result in erratic operation of the fixtures whose starting address is

set incorrectly. You can however, control multiple fixtures of the same type using the same starting address as long as the intended result is that of unison movement or operation. In other words, the fixtures will be slaved together and all respond exactly the same. DMX fixtures are designed to receive data through a serial Daisy Chain. A Daisy Chain connection is where the DATA OUT of one fixture connects to the DATA IN of the next fixture. The order in which the fixtures are connected is not important and has no effect on how a controller communicates to each fixture. Use an order that provides for the easiest and most direct cabling. Connect fixtures using shielded two conductor twisted pair cable with three pin XLR male to female connectors. The shield connection is pin 1, while pin 2 is Data Negative (S-) and pin 3 is Data positive (S+).

Photometric



General Maintenance

To maintain optimum performance and minimize wear fixtures should be cleaned frequently. Usage and environment are contributing factors in determining frequency. As a general rule, fixtures should be cleaned at least twice a month. Dust build up reduces light output performance and can cause overheating. This can lead to reduced lamp life and increased mechanical wear. Be sure to power off fixture before conducting maintenance.

Unplug fixture from power. Use a vacuum or air compressor and a soft brush to remove dust collected on external vents and internal components. Clean all glass when the fixture is cold with a mild solution of glass cleaner or Isopropyl Alcohol and a soft lint free cotton cloth or lens tissue. Apply solution to the cloth or tissue and drag dirt and grime to the outside of the lens. Gently polish optical surfaces until they are free of haze and lint.

The cleaning of internal and external optical lenses and/or mirrors must be carried out periodically to optimize light output. Cleaning frequency depends on the environment in which the fixture operates: damp, smoky or particularly dirty surrounding can cause greater accumulation of dirt on the unit's optics. Clean with soft cloth using normal glass cleaning fluid. - Always dry the parts carefully. - Clean the external optics at least every 20 days. Clean the internal optics at least every 30/60 days.

Claims

Damage incurred in shipping is the responsibility of the shipper; therefore the damage must be reported to the carrier upon receipt of merchandise. It is the customer's responsibility to notify and submit claims with the shipper in the event that a fixture is damaged due to shipping. Any other claim for items such as missing component/part, damage not related to shipping, and concealed damage, must be made within seven (7) days of receiving merchandise.

Technical Specifications

WEIGHT & DIMENSIONS

Length..... 16.5 in (418 mm)
Width 3.6 in (92 mm)
Height 7.1 in (181 mm)
Weight2.75 lbs (2.5 kg)

POWER

Operating Voltage100V ~ 240V 50/60 Hz
Power Consumption47W (0.47A) Max
Inrush Current1.0A at 120V
Power Factor0.8 at 120V

LIGHT SOURCE

LED.....30 x 1W (10 Red, 10 Green, 10 Blue)

PHOTO OPTIC

Illuminance at 1m685 fc (7364 lux)
Beam Angle..... 19.3°
Field Angle..... 40°

THERMAL

Maximum ambient temperature.....95°F (35°C)

CONTROL & PROGRAMMING

Data input locking 3-pin XLR male socket
Data output locking 3-pin XLR female socket
Data pin configurationpin 1 shield, pin 2 (-), pin 3 (+)
Protocols..... DMX-512 USITT

DMX Channels4

ORDERING INFORMATION

iLED-30 Black..... iLED-30B
iLED-30 Silver..... iLED-30S
iLED-30 White.....iLED-30W

WARRANTY INFORMATION

Warranty..... 1-year limited warranty

SIZE

