



INSTRUCTION MANUAL PG8800



# PARTS LIST



## WARNING

- For pets only
- Do not leave pet unsupervised
- Ensure Stroller is correctly assembled before using.
- Do not use near an open or exposed flame.
- For Pets up to 145 lbs.

# Assembly Instructions

1. Slide back wheel on axle as shown in figure b. Push in axel until it clicks. Pull on wheel to make sure the wheel is engaged. Repeat on other side. When finished it should look like figure c.

## *Back Wheels*

**Inside**



**Outside**



**Lock/ Release Button**

a.

\*Note: To remove wheel push the lock/release button and pull wheel off.



b.

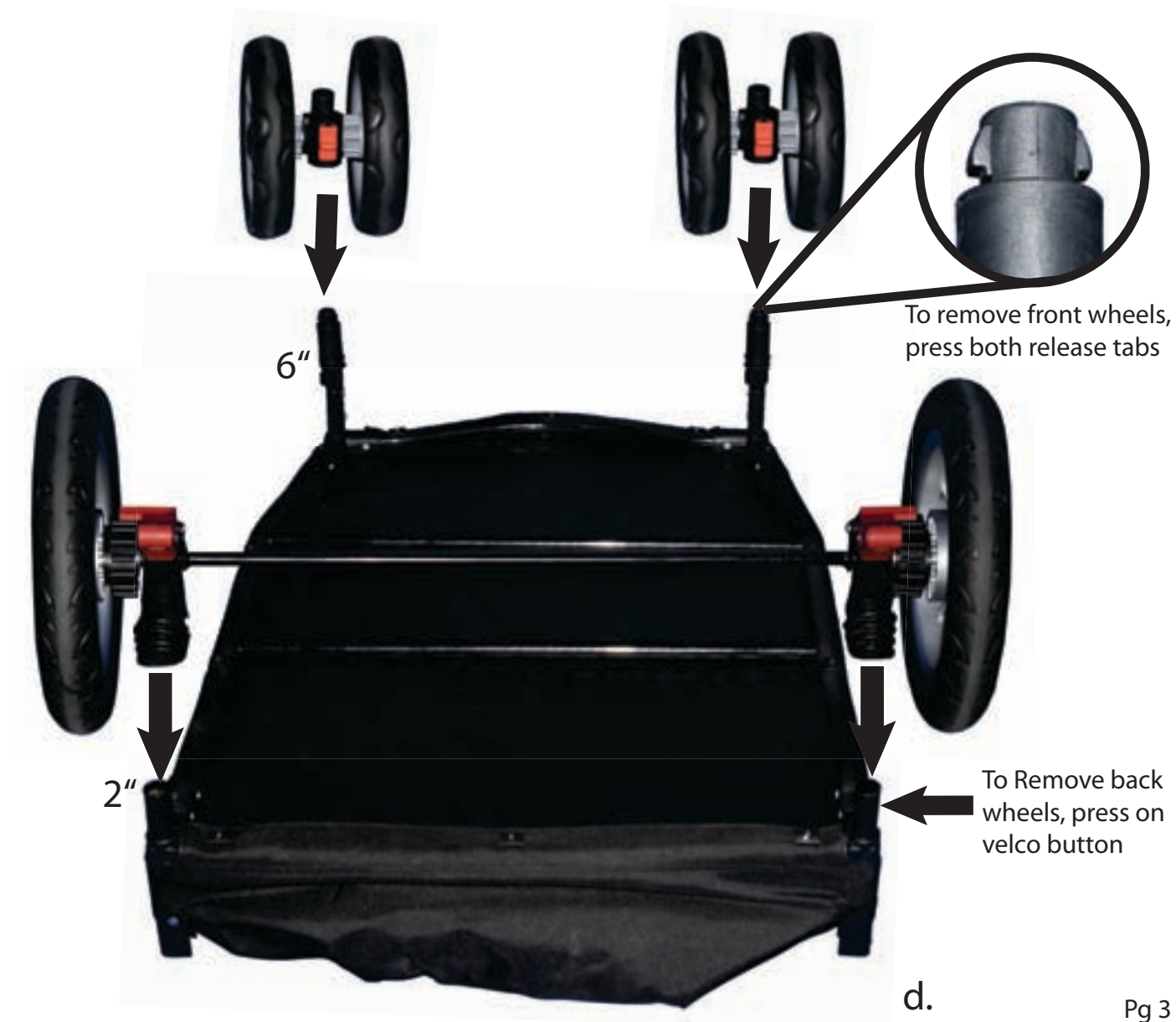


c.

**2. Position stroller frame as shown in figure d.**

**3. Place front wheels on stroller by clicking them into the 6" posts on the bottom of the stroller shown in figure d. Pull up to make sure wheels are locked.**

**4. Take rear wheels (on axel with brakes) and lock them into the 2" posts by placing leg tube over the posts and pressing down until they click (shown in figure d). Pull up to make sure wheels are locked.**





**5. Place stroller so wheels are on the ground and back wheels are facing you (shown in figure e).**

**6. Lift right and left side of stroller up. Shown in figure f. Secure the support bar that goes from the left and latches down on the right side (shown in figure f).**

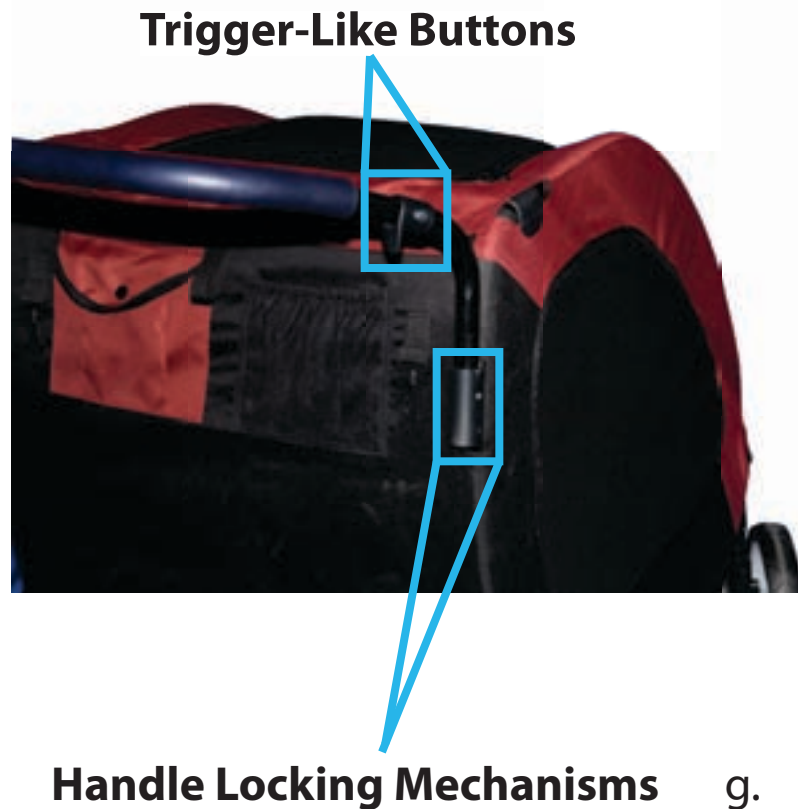


e.



f. Pg 4

**7. Put on the handle by pulling both trigger-like buttons on each inside of the handle and by placing handle-ends into the handle locking mechanisms on each side of stroller. Choose height level (1 or 2), let go of trigger-like buttons. Pull up on handle to make sure it is securely locked. This is shown in figure g.**



## TO USE FRONT WHEEL LOCKING MECHANISM

**1. To engage front wheel locking mechanism so that the front wheel does not swivel (best when stroller is used for fast walking or running) make sure wheel is facing forward (so red tab is at the front of stroller) and pull the red tab up.**

**2. To disengage locking mechanism so that the front wheel swivels (for easy steering) push tab down.**

