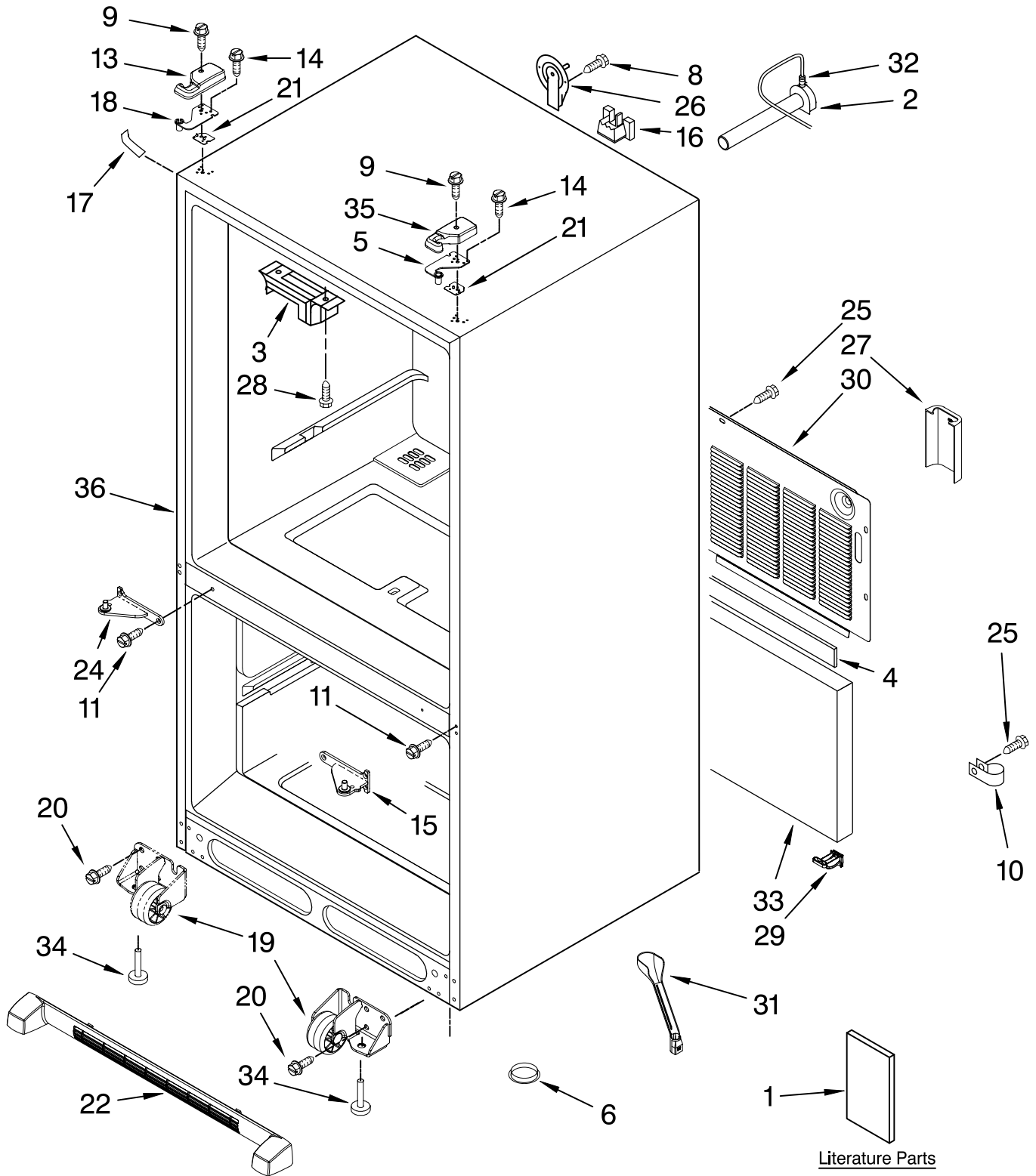


CABINET PARTS

For Models: MFD2562VEW2, MFD2562VEA2
(White) (Monochromatic Satina)



FOR ORDERING INFORMATION REFER TO PARTS PRICE LIST

CABINET PARTS

For Models: MFD2562VEW2, MFD2562VEA2
(White) (Monochromatic Satina)

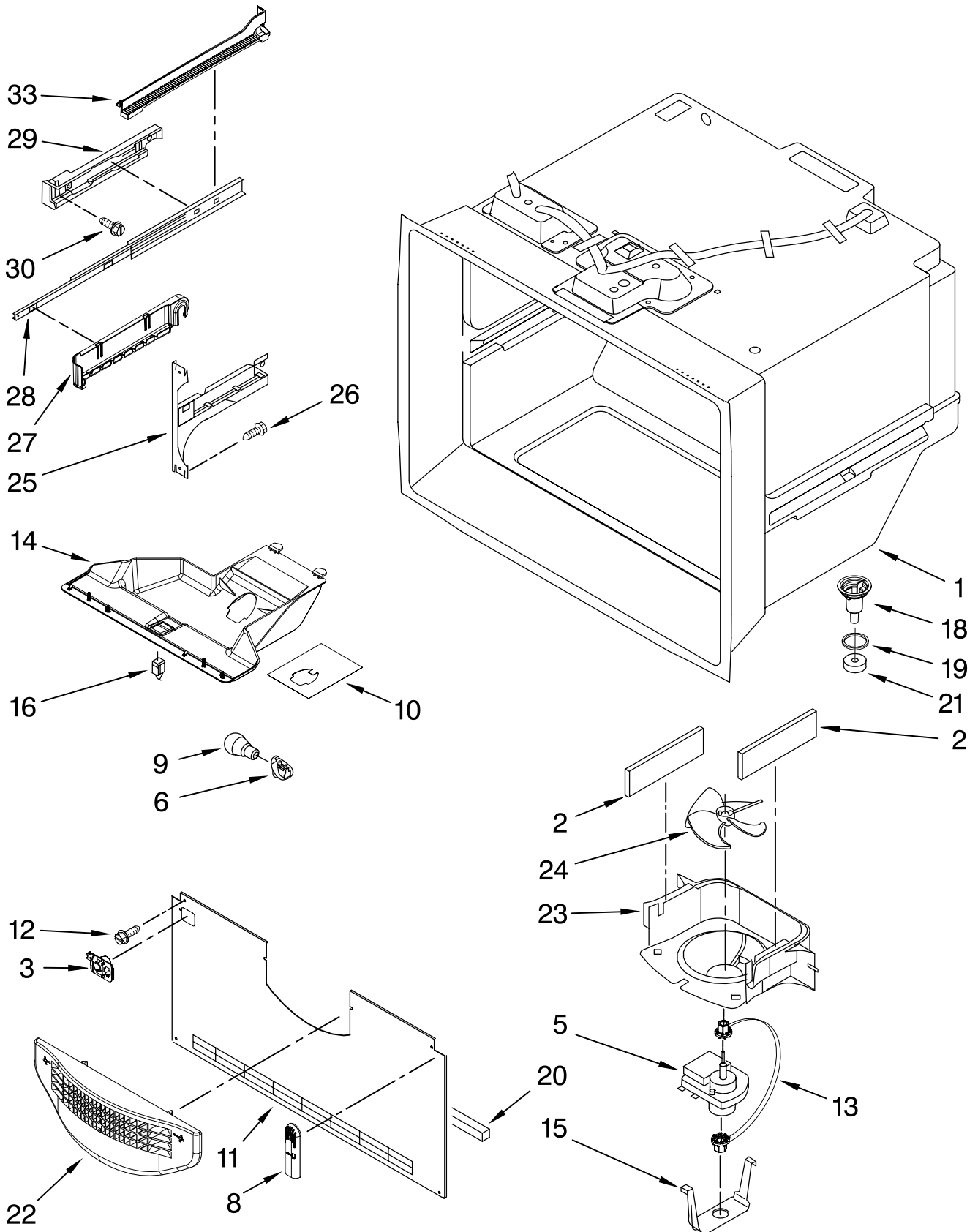
Illus. No.	Part No.	DESCRIPTION	Illus. No.	Part No.	DESCRIPTION	Illus. No.	Part No.	DESCRIPTION
1		Literature Parts	14	12992403	Screw (6)	24		Hinge, Center (LT)
	W10279334	Tech Sheet	15		Hinge, Center (RT)		13000001WD	White
	W10175446	Owners Manual		13000002WD	White		13000001AP	Apollo Grey
	W10187813	Tag, Energy	16	12777701	Block, Filter (2)	25	12990511	Screw (10)
2	10463203SP	Elbow, Fill Tube	17		Cover, Corner	26	12726003	Cover, Water Line
3	12698403	Block, Pivot		12587703W	White	27	W10208593	Guard-Water Valve
4	B5759655	Gasket		12587703AP	Apollo Grey	28	12990303	Screw (2)
5	12963205ED	Hinge, Top Right	18	12963204ED	Hinge, Top Left	29	12831101	Sweep, Dual Tube
6	A3076901	Plug, Button	19		Roller Assy.	30	W10211855	Cover, Unit
8	12990504	Screw		W10275849	Right	31	W10210988	Tube, Drain
9	12992602	Screw		W10275850	Left	32	M0114003SP	Clip, Speed
10	M0108107	Clamp, Tube	20	12991302	Screw	33	12820505	Insulation, Sound
11	12992201	Screw (6)	21		Shim, Hinge	34	10354002	Foot Brake
13		Cover, Left Hinge		12999501	Left	35		Cover, Right Hinge
	W10217491	White		12999502	Right		12962302W	White
	W10217488	Apollo Grey	22		Grille, Toe		12962302AP	Apollo Grey
				W10244559	White	36		Cabinet (Not a Servicable Part)
				W10244558	Apollo Grey			

FOR ORDERING INFORMATION REFER TO PARTS PRICE LIST

FREEZER LINER PARTS

For Models: MFD2562VEW2, MFD2562VEA2

(White) (Monochromatic Satina)



FOR ORDERING INFORMATION REFER TO PARTS PRICE LIST

FREEZER LINER PARTS

For Models: MFD2562VEW2, MFD2562VEA2

(White) (Monochromatic Satina)

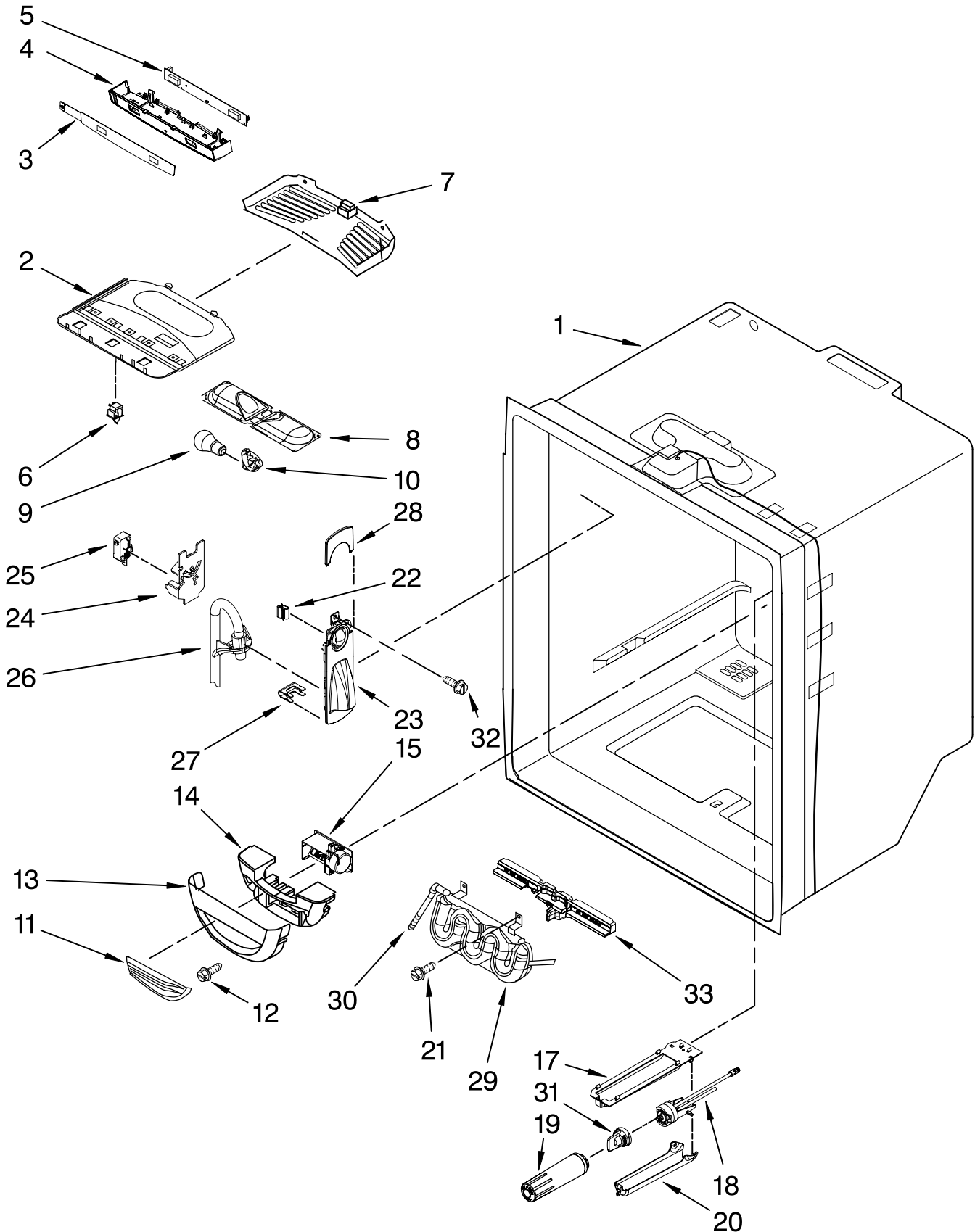
Illus. No.	Part No.	DESCRIPTION
1		Liner (Not A Seviceable Part)
2	A3189392	Gasket, Foam
3	12932103	Guide, Fill Tube
5	13062901	Motor, Evaporator
6	12570701V	Socket, Light
8	12815301	Cover, Thermistor
9	W10194422V	Bulb, Light
10	W10277466	Foil, Housing
11	12226112	Cover, Evaporator
12	12990511	Screw (4)
13	W10150583	Grommet
14	W10277025	Module, Light
15	13058002	Clip, Evap Motor
16	12466105	Switch, Light
18	D7753903	Funnel, Drain
19	M0500703	Seal
20	A3189396	Gasket, Bottom
21	B8381501	Gasket
22	13024803	Grille, Fz Air
23	13057901	Shroud, Evap Fan
24	2169142	Blade, Fan (Evaporator)
25		Bracket, Door
	W10122147	Left
	W10122148	Right
26	12990521	Screw (8)
27		Cradle, Basket
	W10280608	Left
	W10280613	Right
28	W10120018	Slide, Drawer (2)
29		Adapter, Slide
	W10261203	Left
	W10261204	Right
30	12990501	Screw (6)
33		Rack-Side
	W10284694	Left
	W10284695	Right

FOR ORDERING INFORMATION REFER TO PARTS PRICE LIST

REFRIGERATOR LINER PARTS

For Models: MFD2562VEW2, MFD2562VEA2

(White) (Monochromatic Satina)



FOR ORDERING INFORMATION REFER TO PARTS PRICE LIST

REFRIGERATOR LINER PARTS

For Models: MFD2562VEW2, MFD2562VEA2

(White) (Monochromatic Satina)

Illus. No.	Part No.	DESCRIPTION
1		Liner (Not A Serviceable Part)
2	12806302	Module, Light
3	W10217740	Overlay
4	12806405	Housing, Control
5	W10217475	Board, Control
6	C3680310V	Switch, Light (2)
7	12806501	Cover, Light
8	12806601V	Housing, Light
9	W10194422V	Bulb, Light (2)
10	12570701V	Socket, Light (2)
11	12806801	Insert, Damper Cover
12	12990604	Screw
13	12806701	Cover, Damper
14	13012402	Insulation
15	W10207517	Control, Damper
17	12704801	Plate
18	12590620	Head, Water Filter
19	UKF8001AXX	Filter, Water
20	12568001	Cover, Filter
21	12990512	Screw (2)
22	B8390302SP	Clip, Facade (2)
23	12706909SP	Facade, Disp.
24	12707303SP	Plate, Switch
25	12575501	Switch, Limit
26	12707206SP	Guide, Waterline
27	12251001SP	Clip, Waterline
28	12707005	Facade, Disp (Top)
29	12706112	Tank, Water
30	61006182	Union
31	61003146	Plug, Bypass
32	12990513	Screw
33	W10117358	Insulation, Water Tank

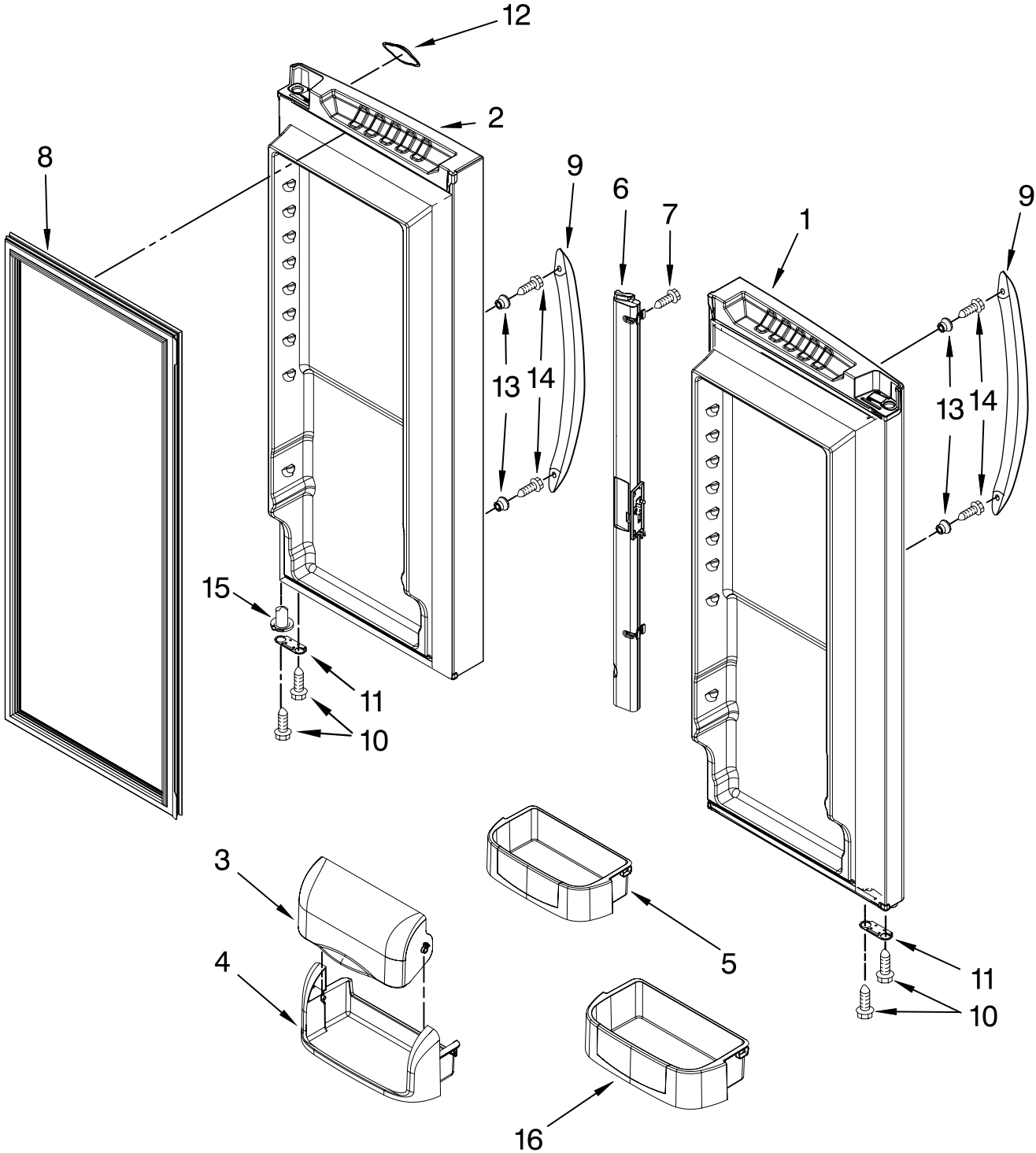
Following Parts Not Illustrated

W10224292 Harness, Control
(Refrigerator)
(Includes
Thermistor)

REFRIGERATOR DOOR PARTS

For Models: MFD2562VEW2, MFD2562VEA2

(White) (Monochromatic Satina)



FOR ORDERING INFORMATION REFER TO PARTS PRICE LIST

REFRIGERATOR DOOR PARTS

For Models: MFD2562VEW2, MFD2562VEA2

(White) (Monochromatic Satina)

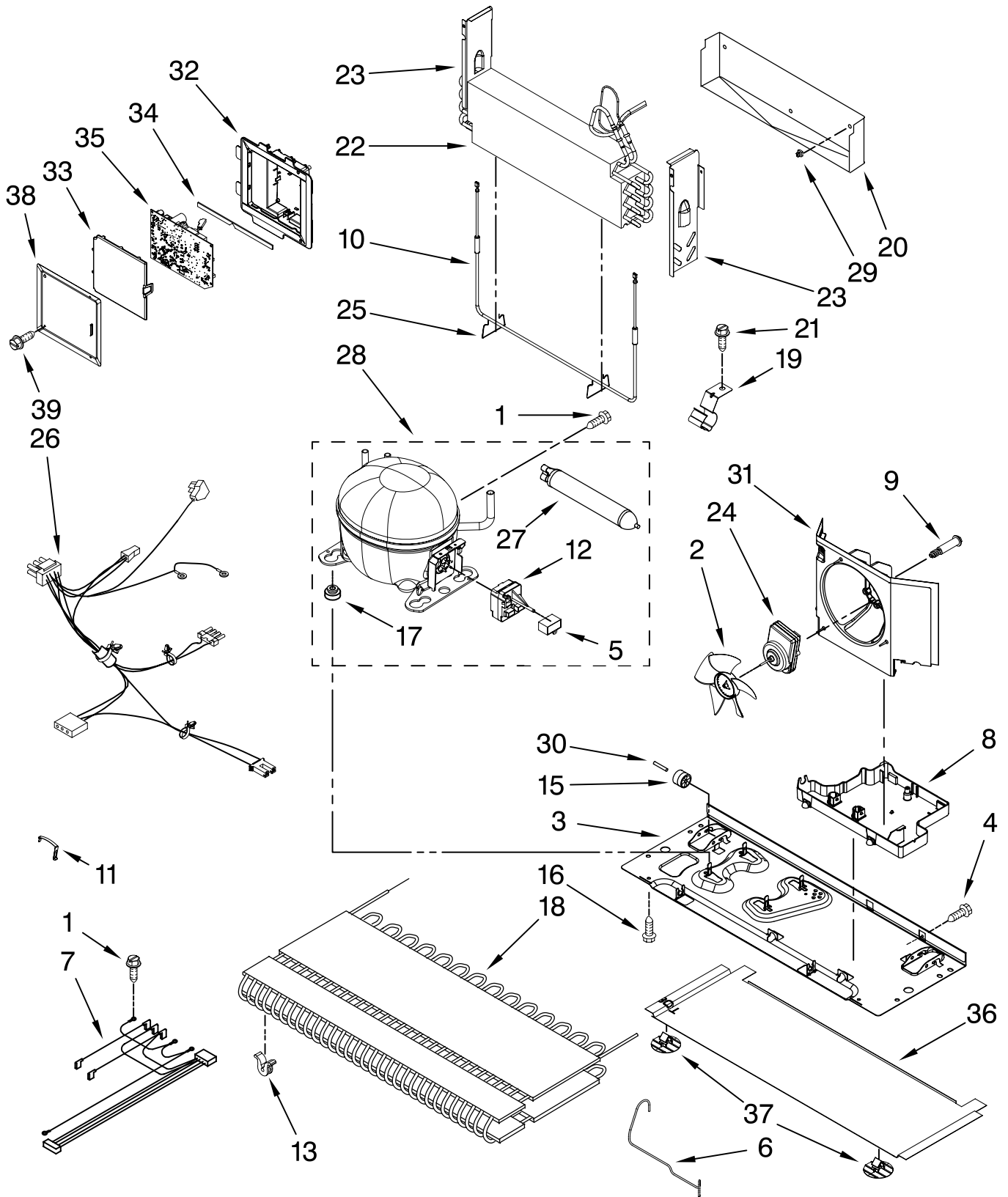
Illus. No.	Part No.	DESCRIPTION
1		Door, Left
	W10199095	White
	12978035LQ	Satina
2		Door, Right
	W10199092	White
	12978034LQ	Satina
3	12804701SP	Door, Dairy
4	12369502SP	Tray, Dairy
5	12801904	Bin, Shelf (3) (Medium)
6		Mullion, Door
	12722803W	White
	12722803AP	Apollo Grey
7	12990204	Screw
8		Gasket, Door (2)
	W10163894	White
	W10179332	Apollo Grey
9		Handle, Door
	13004701W	White
	13004701L	Antique Pewter
10	12990504	Screw
11		Stop, Door
	12968202W	White
	12968202AP	Apollo Grey
12	W10170766	Nameplate
13	13001201	Mount, Handle
14	12991703	Screw
15		Closure, Door
	12028505W	White
	12028505AP	Apollo Grey
16	12840002	Bin, Shelf (2) (Gallon)

FOR ORDERING INFORMATION REFER TO PARTS PRICE LIST

UNIT PARTS

For Models: MFD2562VEW2, MFD2562VEA2

(White) (Monochromatic Satina)



FOR ORDERING INFORMATION REFER TO PARTS PRICE LIST

UNIT PARTS

For Models: MFD2562VEW2, MFD2562VEA2

(White) (Monochromatic Satina)

Illus. No.	Part No.	DESCRIPTION
1	12992301	Screw
2	12825803	Blade, Fan
3	W10210985	Basepan
4	12990511	Screw
5	2264017	Capacitor
6	W10233569	Tube, Discharge
7	W10224515	Harness, Evap. Heater
8	W10296785	Pan, Drain
9	W10216919	Screw, Shoulder
10	12729129	Heater, Defrost
11	W10174384	Strap, Bale
12	W10194431	Start Device
13	W10137529	Grommet, Cond (4)
15	12477102	Roller (2)
16	12992101	Screw
17	10835903SP	Grommet (4)
18	W10135026	Condenser
19	10547003	Clip, Drier
20	W10292803	Tray, Drip
21	12990701	Screw
22	12726403	Evaporator

Illus. No.	Part No.	DESCRIPTION
23		Dam
	12225702	Right Side
	12225602	Left Side
24	W10239053	Motor, Fan
25	10428101	Clip, Heater
26	W10234025	Harness, Unit with Power Cord
27	W10143759	Drier
28	W10164016	Compressor (Includes items 11,12,17,27)
29	10623002	Clip, Evaporator
30	12477202	Axle, Roller (2)
31	W10189184	Shroud
32	W10257665	Box, HV Control
33	12957702	Lid, HV Box
34	12957801	Gasket, HV Box
35	W10205552	Board, Control
36	W10206338	Extension-Basepan
37	W10206339	Fastener-Basepan
38	12961602	Cover-Control Box
39	12990702	Screw

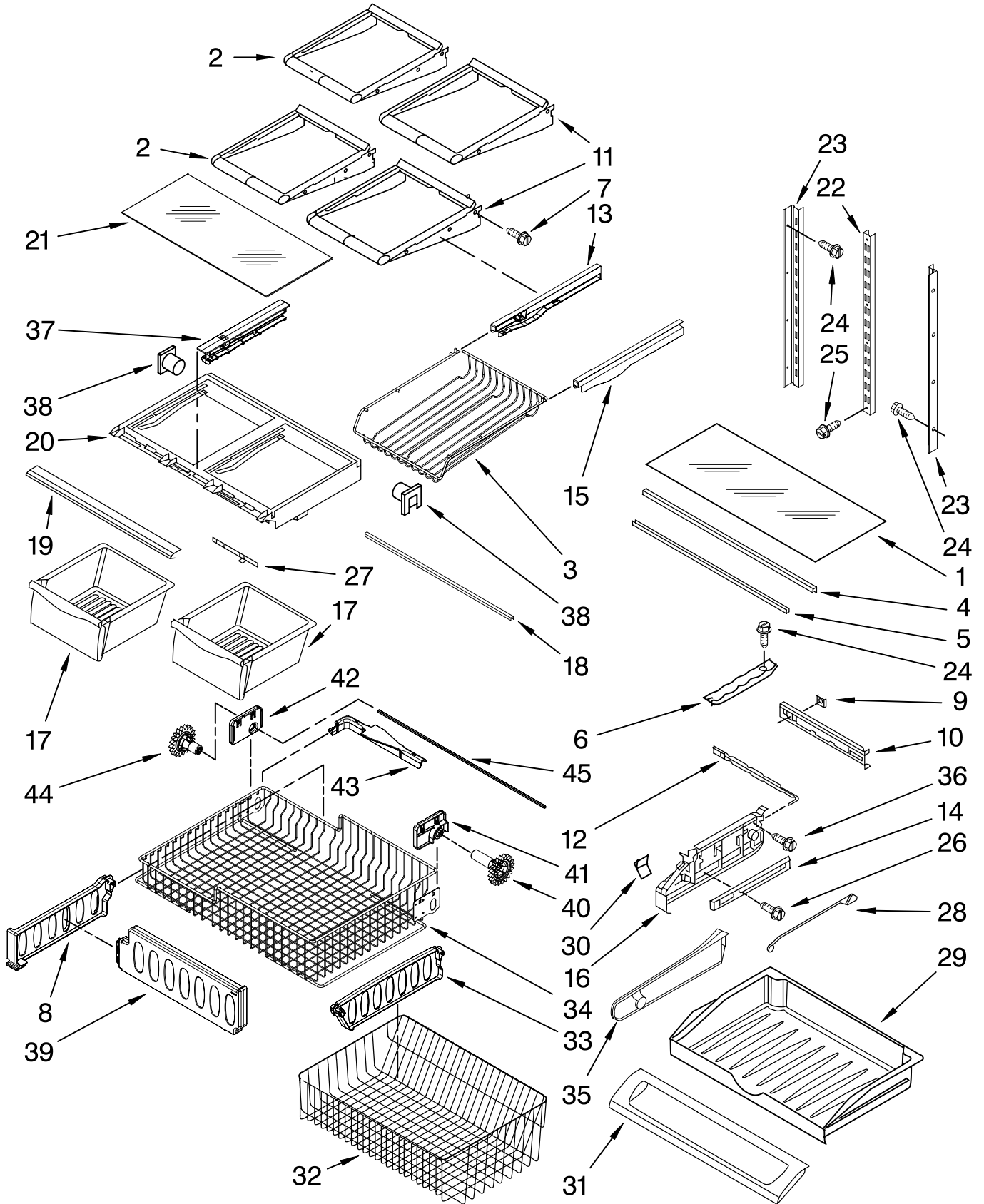
Illus. No.	Part No.	DESCRIPTION
Following Parts Not Illustrated and Optional Parts Not Included		
	978025	Valve, Access (1/4")
	978026	Valve, Access (5/16")
	978027	Valve, Access (3/8")
	978028	Valve, Access (1/2")
	978029	Valve, Access (5/8")
	978030	Valve, Access (3/4")
	876764	Valve, Access (3/16")

REFRIGERANT CHARGE

5.25 Ozs.
(R-134A)

SHELF PARTS

For Models: MFD2562VEW2, MFD2562VEA2
(White) (Monochromatic Satina)



FOR ORDERING INFORMATION REFER TO PARTS PRICE LIST

SHELF PARTS

For Models: MFD2562VEW2, MFD2562VEA2

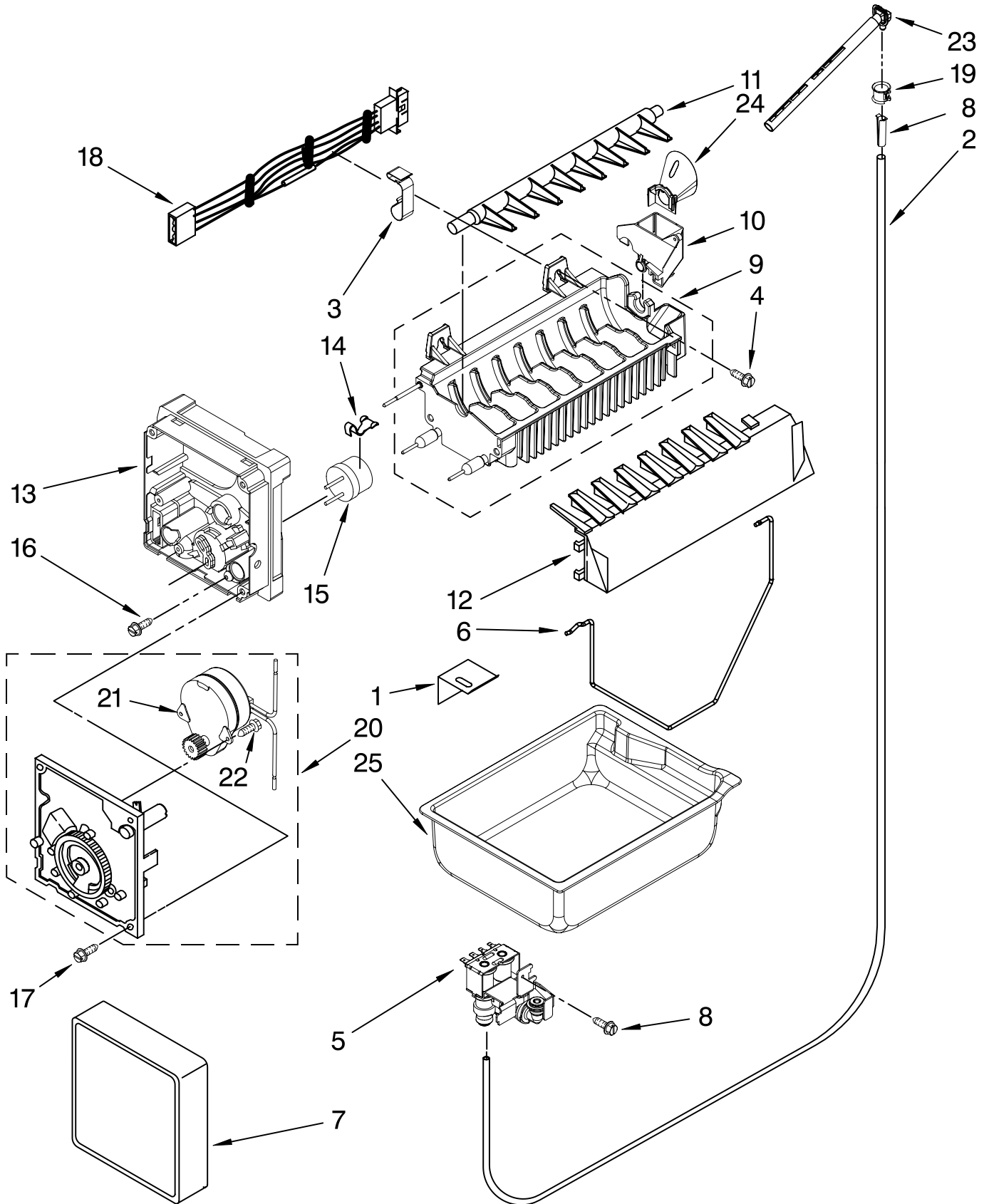
(White) (Monochromatic Satina)

Illus. No.	Part No.	DESCRIPTION	Illus. No.	Part No.	DESCRIPTION	Illus. No.	Part No.	DESCRIPTION
1	12204830	Glass, Pantry	17	12804601	Pan, Crisper (2)	32	W10150039	Basket, Freezer (Lower)
2	12654610	Shelf, Glide Out	18	12642303WD	Brace, Crisper	33	W10146440	Divider, Lower Basket
3	12503805SP	Rack, Can	19	W10231345	Trim, Crisper	34	W10209706	Basket, Freezer (Upper)
4	12655902SP	Extr, Glass Support (2)	20	12796301SP	Frame, Crisper	35	12731901	Divider, Pantry Drawer
5	12227305WD	Brace, Pantry (2)	21	12204824	Glass, Crisper Cover	36	12990504	Screw (4)
6	12531901	Track, Pantry	22	W10273463	Ladder, Center	37	12796401	Rail, Center Crisper Frame
7	12990515	Screw (4)	23	W10251971	Ladder, Side	38	13062602	Supports, Crisper Frame
8	W10241046	Divider, Upper Basket	24	12990513	Screw (6)	39	W10171558	Divider, Upper Freezer
9	12656901	Gasket, Pantry	25	12990515	Screw (2)	40	W10146446	Gear
10	12656202	Housing, Control	26	12990512	Screw (4)	41	W10233899	Mount, RH Gear
11	12654710SP	Shelf, Stat (2)	27	12530805SP	Slide, Humidity Control	42	W10233898	Mount, LH Gear
12	12655402	Slide, Temperature	28	12655304	Rod, Temperature Control	43	W10149389	Lift, Bail Arm
13	12656601SP	Glide, Left	29	12731302	Drawer, Pantry	44	W10158749	Gear
14	13058101V	Glide, Drawer(2)	30	12655204V	Knob, Temperature Control	45	12812904WD	Shaft
15	12656602SP	Glide, Right	31	12656815	Door, Pantry Drawer			
16	12656106	Left Endcap, Pantry						
	12656019	Right						

FOR ORDERING INFORMATION REFER TO PARTS PRICE LIST

ICEMAKER PARTS

For Models: MFD2562VEW2, MFD2562VEA2
(White) (Monochromatic Satina)



FOR ORDERING INFORMATION REFER TO PARTS PRICE LIST

ICEMAKER PARTS

For Models: MFD2562VEW2, MFD2562VEA2
(White) (Monochromatic Satina)

Illus. No.	Part No.	DESCRIPTION
1	2256086	Bracket, Ice Maker
2	B5705333SP	Tubing, Plastic
3	10526702	Clamp
4	489276	Screw
5	12544124	Valve, Water
6	W10202524	Arm, Shutoff
7	12582501	Cover
8	A3223101SP	Insert, Tube
9	W10122527	Mold & Heater Assembly (Also Order 542638)
10	628515	Cup, Water Fill
11	627843	Ejector
12	2182124	Ice Stripper
13	2194712	Support, Housing
14	2315522	Retainer, Thermostat
15	628397	Thermostat (Order 542369 Cement)
16	8533917	Screw (2)
17	489464	Screw
18	D7813011	Harness, Ice Maker
19	M0114003SP	Clip, Speed
20	W10223929	Module Assembly (Includes Items 21 & 22)
21	W10122551	Motor
22	489136	Screw
23	W10137519	Elbow, Fill Tube
24	12918001	Funnel, Fill Tube
25	W10171529	Pan, Ice
100	W10190978	Icemaker Assembly

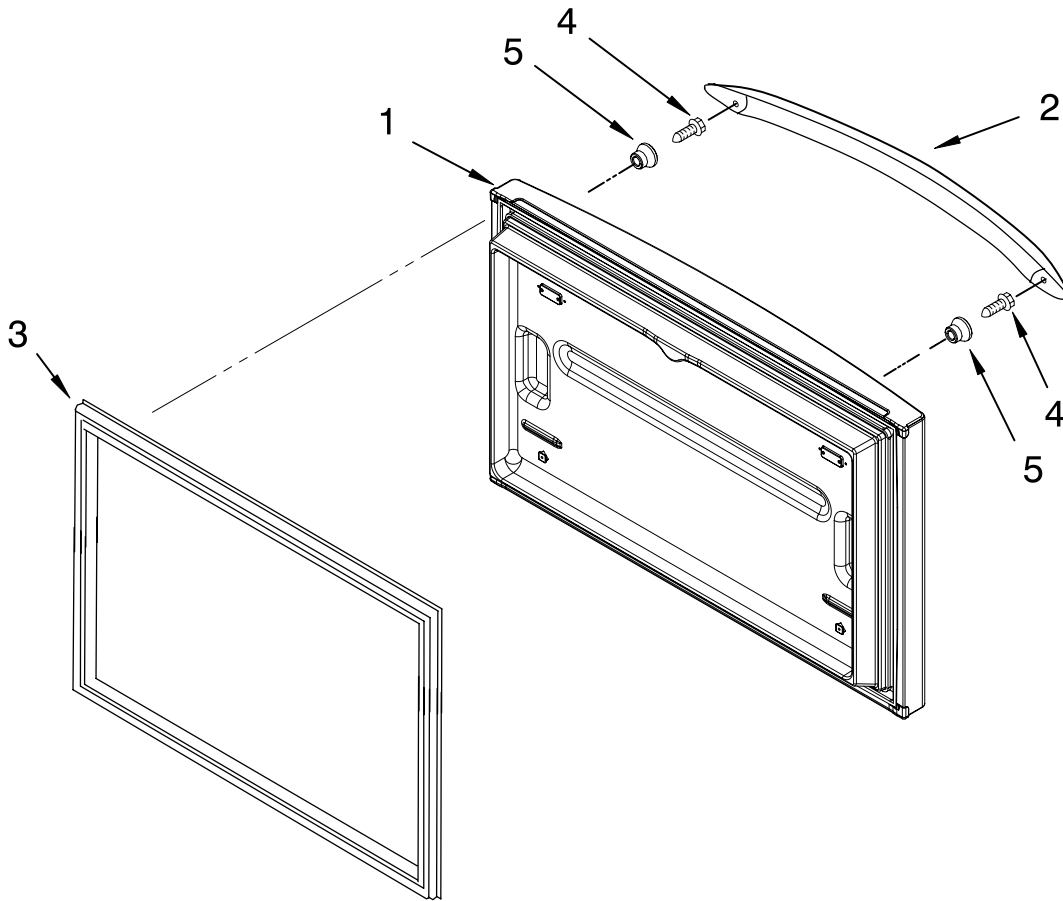
Following Parts Not Illustrated

10244904 Coupling

FREEZER DOOR PARTS

For Models: MFD2562VEW2, MFD2562VEA2

(White) (Monochromatic Satina)



Illus. No.	Part No.	DESCRIPTION
1	W10199889 12977818LQ	Freezer Door White Satina
2	13004702W 13004702L	Handle White Antique Pewter
3	W10164040 W10164042	Gasket, Door White Apollo Grey
4	12991703	Screw
5	13001201	Mount, Handle

FOR ORDERING INFORMATION REFER TO PARTS PRICE LIST

OPTIONAL PARTS (NOT INCLUDED)

For Models: MFD2562VEW2, MFD2562VEA2

(White) (Monochromatic Satina)

Illus. No.	Part No.	DESCRIPTION	Illus. No.	Part No.	DESCRIPTION	Illus. No.	Part No.	DESCRIPTION
Parts Not Illustrated and Optional Parts (Not Included)			<u>Miscellaneous</u>			<u>TORX SCREW WRENCH</u>		
						1117510 Torx Key		
Customer Touch-Up Material			212643 Sealer, Gum (4 Feet)					
*350942 Primer, White (13 Oz. Spray Can)			479502 Tape, Vinyl (3/4 x 108")					
*350939 Enamel, Black (13 Oz. Spray Can)			876370 Kit, Insulation (2 Pcs. x 3" x 24" X 48")					
*350930 Enamel, White (13 Oz. Spray Can)			876305 Kit, Insulation (14 Pcs. x 3" x 24" x 48")					
72017 Brush Touch-Up Kit (White)			978941 Insulation, Fiberglass (63-1/2" x 35-1/2" X 2-5/8)					
72032 Brush Touch-up kit (Black)			876029 Kit, Foam Slab (30" x 32-1/2" x 1-1/2")					
* Important: The spray paint is not to be used where the paint may make contact with the door gaskets.			505587 Sealer, Mastic (1 Qt.)					
			503695 Cork, Sealer (1/4 Pound)					
Refinishing Material			20000008 Cleaner, Stnls Steel Magic					
			542638 Grease, Silicone (1/2 Oz.)					
799340 Enamel, Black (1 Qt. Uncut)			542639 Cement, Alumilastic (1-1/4 Oz.)					
799344 Enamel, White (1 Qt. Uncut)			606755 Bag, Insulation (36-5/8" x 46")					
			799833 Kit, Evaporator Repair (Aluminum Epoxy)					
			833938 Kit, Terminal Connector					

FOR ORDERING INFORMATION REFER TO PARTS PRICE LIST