



Brigantine Rectangular Cast-Top Dining Table

Owner's Manual



If you have any problems with this product, DO NOT RETURN IT TO THE
STORE. CALL OUR CUSTOMER SERVICE HOT-LINE AT

(866) 391-4908

8AM - 5PM (EST), Monday - Thursday

8AM - 4PM (EST), Friday

WARRANTY

In order to activate your warranty please register at www.bjifurniture.com. There you can review our full warranty details and other helpful information. Or, you may call us at (866) 391-4908, 8am – 5pm (EST), Monday – Thursday, 8am – 4pm (EST), Friday.

Care and Maintenance

Be careful to never allow water to build up in frames as this will cause corrosion and freeze damage in cold climates. Wash all frames with a solution of mild soap and water. Rinse with clean water and dry with a soft absorbent cloth towel. Frames can be treated with a liquid wax for maximum protection against UV rays and/or salty damp air. If your set includes cushions, slings, and/or an umbrella they may be cleaned by hand with a solution of soap and water with a clean water rinse. (Never machine wash cushions, slings or umbrella covers as this will result in shrinkage or damage).

After cleaning cushions tip on end and allow to drip dry. (Never use a commercial or home dryer to tumble dry fabric goods). Do not use bleach or solvents to clean any product! This will void the warranty.




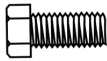




Lack of original receipt will void warranty!

CAUTION: Read all the instructions before assembly. Failure to do so may result in faulty assembly and potential injury!

Assemble product on a soft, non-abrasive surface such as a carpet or cardboard to avoid damaging the item. Seek assistance to assemble bulky or heavy items. After final alignment, make sure all bolts and nuts are securely tightened with screw head covers pressed in place.

NOTE: Do not allow children to play with plastic wraps or small parts to prevent potential choking hazard.

PARTS LIST

PART#	DESCRIPTION	PICTURE	Q'TY
A	Table Top		1
B	Table Leg		4
C	Support Tube		4
D	Bolt M6x20		4
E	Bolt M6x35		12
F	Washer		16
G	Bolt Cover		16
H	Open Wrench		1

Assembly Steps:

Note: Do not fully tighten bolts until assembly is completed and alignment is correct.

Step 1. Carefully place the table top (A) upside down on a non-abrasive surface.

Step 2. Assemble the table legs (B) to the table top (A) with bolts (D&E) and washer (F) as shown in figure 1.

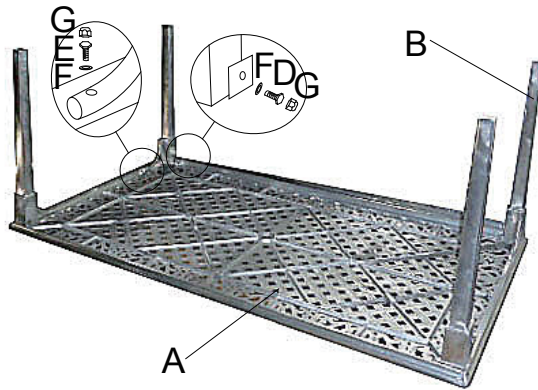


Figure 1

Step 3. Loosely attach the support bar (C) to the table leg (B) and table top (A) with bolts (E) and washer (F) as shown in figure 2.

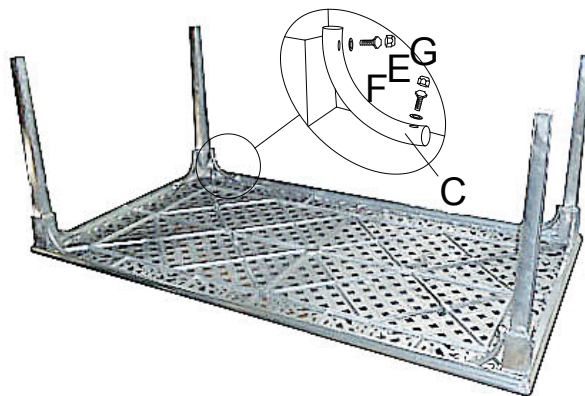


Figure 2

Step 4. Check the alignment and adjust if necessary. Once the alignment is correct, tighten all bolts with open wrench (H) . Cover all bolts with bolt caps(G).

Step 5. Verify all bolts are securely tightened before use and turn your table right side up. Your table is now ready to use. (Figure 3).



Figure 3