



FIELDMANN[®]
Home & Garden Performance



FDW 2003-E

High-pressure washer

OPERATING INSTRUCTIONS

TABLE OF CONTENTS

| | |
|--|---------------|
| 1. GENERAL SAFETY REGULATIONS | 4 |
| Important safety notices | |
| Packaging | |
| Instructions for use | |
| 2. SYMBOLS | 5 |
| 3. GENERAL DESCRIPTION | 7 |
| 4. SAFETY INSTRUCTIONS | 8 |
| 5. ASSEMBLY INSTRUCTIONS | 11 |
| 6. STARTING | 14 |
| 7. STORAGE | 17 |
| 8. TROUBLESHOOTING GUIDE | 18 |
| 9. TECHNICAL SPECIFICATION | 22 |
| 10. DECLARATION OF CONFORMITY | 23 |
| 11. DISPOSAL | 24 |
| WARRANTY CERTIFICATE, WARRANTY TERMS | 296 - 301 |

1. GENERAL SAFETY INSTRUCTIONS

Important safety warnings

- ✿ Unpack the product carefully and be sure not to throw away any part of the package before having found all components of the product.
- ✿ Keep the product in a dry place out of reach of children.
- ✿ Read all cautions and instructions. The failure to adhere to warning cautions and instructions may result in an accident, fire and/or a serious injury.


Packaging

The product is placed in a package preventing damage during transport. This package is a raw material therefore it can be handed-over for recycling.

We recommend keeping of the original package including the internal packaging material, purchase receipt as well as the warranty card during the warranty period as minimum. Should the product be transported, pack the device back to the original packaging materials provided by the manufacturer; in such a way, you can secure the maximum product protection during potential transport (e. g. relocation or shipping to the service centre).

Instructions for use

Before beginning to work with the machine, read the following safety rules and instructions for use. Familiarize with operating elements and the proper use of the device. Keep the manual in a safe place for future reference. We recommend keeping the original package including the inner packaging materials, cash voucher and guarantee card for a period of warranty at minimum. For a case of transportation, pack the machine into the original box from the manufacturer, thus ensuring a maximum protection of the product during a possible transport (e.g. moving or sending into a service station).

 **Note:** If you hand the machine over to next persons, hand it over together with the manual. Adherence to the attached instructions for use is a precondition for the proper use of the machine. The operation manual includes also instructions for operation, maintenance and repairs.

The manufacturer does not take any responsibility for accidents or damages resulting from the failure to adhere to this manual.

2. SYMBOLY



To ensure your own safety as well as safety of other persons, read the Instruction Manual attentively prior to the first startup of the high-pressure washer. Keep the Instruction Manual in a safe and practical place to be available when needed. Hand over the Instruction Manual to any other users of the appliance.

Get acquainted properly with all control elements, especially with the features and activities, prior to start of using the appliance. Consult the professional, if needed. Read the Instructional Manual attentively.



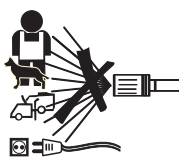
Attention! Should a power cord get damaged or cut, pull the plug from the wall socket immediately.



The appliance is not intended for connection to the potable water feeding system



Class of protection



High-pressure washers can be dangerous if handled inappropriately. Never direct the high-pressure jet to other persons, pets, live electrical equipment or to the washer itself.



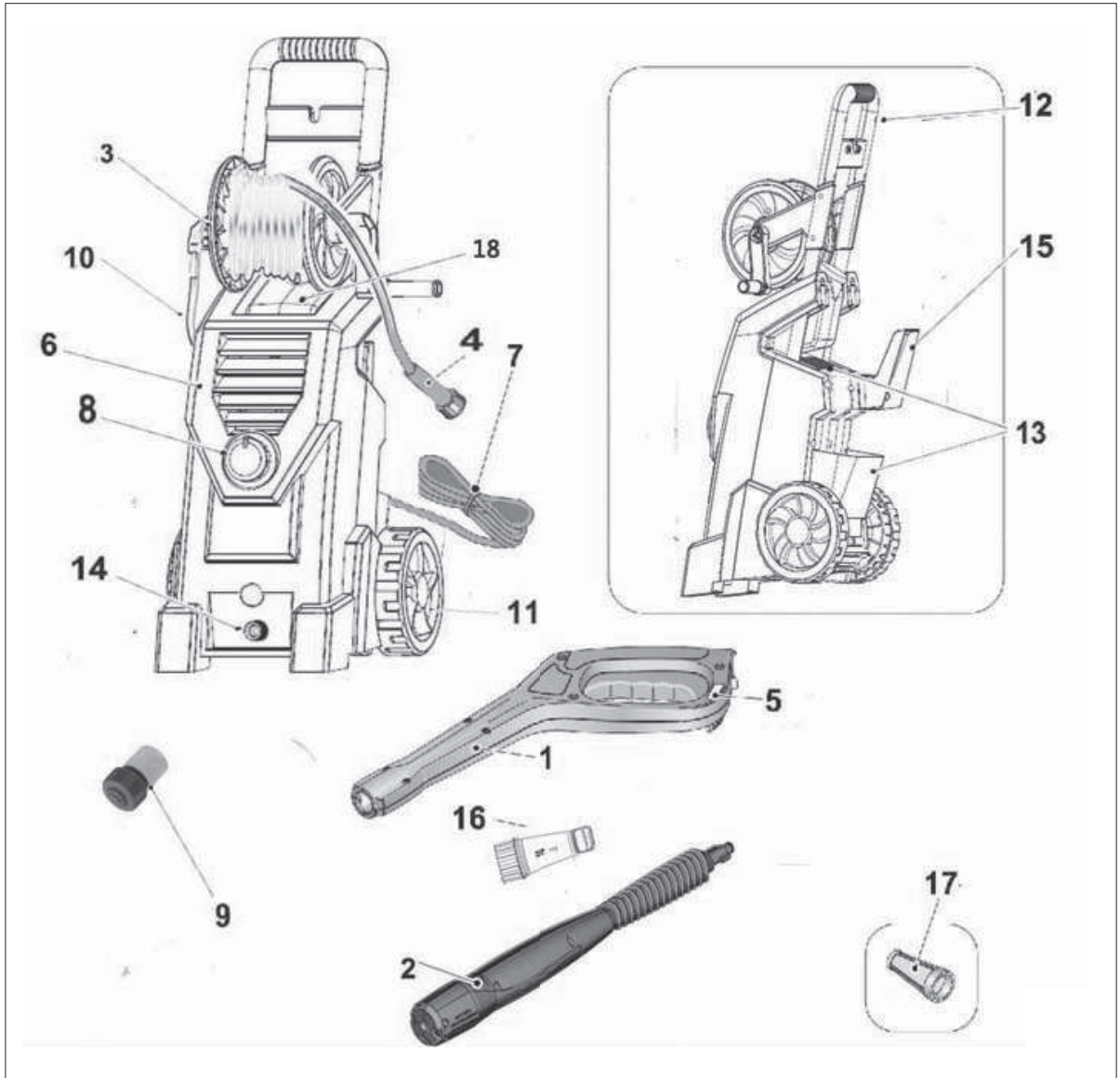
Electrical appliances shall not be disposed in the household waste.



Use ears protection.

3. GENERAL DESCRIPTION

The final product can differ from the depicted device.



- | | | | |
|---|------------------------|----|---|
| 1 | p2006 Gun | 10 | High Pressure Outlet |
| 2 | 4 IN 1 Lance | 11 | Wheel |
| 3 | Hose Reel | 12 | Handle |
| 4 | High-Pressure Hase | 13 | Accessories Holder |
| 5 | Safety Lock | 14 | Wafer Inlet |
| 6 | Motor and Pump in Case | 15 | Power Cord Storage Location |
| 7 | Power Supply Cord | 16 | Water Filter |
| 8 | ON/OFF Switch | 17 | Water Inlet Filter Screen (factory installed) |
| 9 | EU Garden hose | 18 | On Board Soap Bottle |

4. SAFETY INSTRUCTIONS

- ⚠ ATTENTION! WARNING** High-pressure jets can be dangerous if subject to misuse. Never direct a water stream towards people or any live electrical device including the pressure washer itself.
- ⚠ ATTENTION! WARNING**
Do not use the appliance within range of persons unless they wear protective clothing.
- ⚠ ATTENTION! WARNING**
Do not direct the jet at yourself or others to attempt to clean clothes or footwear.
- ⚠ ATTENTION! WARNING**
Danger of explosion - Do not use flammable liquids.
- ⚠ ATTENTION! WARNING**
Never allow children or untrained persons to use the tool.
- ⚠ ATTENTION! WARNING**
High-pressure hoses, valves and couplings are crucial for the product safety. Use only the hoses, valves and couplings recommended by the manufacturer.
- ⚠ ATTENTION! WARNING**
To secure safety of the device, use only the original spare parts delivered by the manufacturer or approved by him.
- ⚠ ATTENTION! WARNING**
Switch off the tool and pull the plug out of the socket before carrying out any cleaning or maintenance work or converting the machine to another feature.
- ⚠ ATTENTION! WARNING**
Never use the tool if a supply cord or other important parts of the appliance are damaged or missing, e.g. safety devices, high-pressure hoses, trigger gun.

⚠ ATTENTION! WARNING

Inappropriate extension cables can be dangerous. Should an extension cable be used, both the socket and the plug shall be of a waterproof design and the coupled parts shall be kept dry and with no connection with earth. We recommend using of an extension cable drum keeping the socket 60 mm above the ground as minimum.

⚠ ATTENTION! WARNING

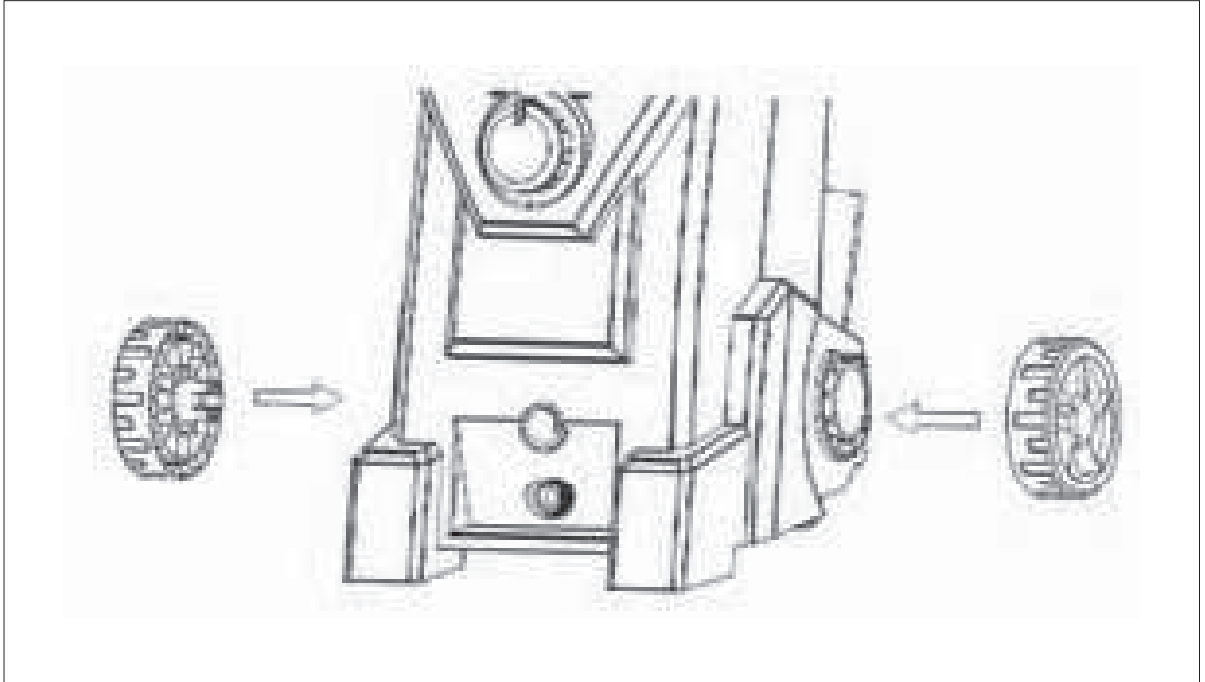
When leaving the device unattended, always turn the power off.

- ✿ Carefully remove the tool and any accessories from the box. Do not discard any of the packing materials until all parts are accounted for.
- ✿ This appliance is not intended for use by persons (including children) with reduced physical, sensory or mental capabilities, or lack of experience and knowledge, unless they have been given supervision or instruction concerning use of the appliance by a person responsible for their safety.
- ✿ Never use any accessories unless delivered together with the product or intended particularly for the appliance.
- ✿ Never repair the appliance yourself; do not modify the appliance - a risk of electrocution is imminent! All repairs and adjustments of the appliance shall be done by the professional company/service. Tampering with the product during the warranty period may void the warranty.
- ✿ Never use the product with wet hands or feet.
- ✿ Operate and keep the product away from flammable and volatile substances.
- ✿ Operate and keep the product away from extreme temperatures, direct sunlight, excessive moisture and do not place it to the excessive dusty environment.
- ✿ Do not place the product in close vicinity of heaters, naked flame and other appliances or equipment generating heat.
- ✿ Never use the product for other than intended purposes.
- ✿ Before inserting the power cord into the socket, check whether the voltage you intend to use complies with that of the machine.
- ✿ Never lay the power cord in the vicinity of hot surfaces or over the sharp objects. Do not place heavy objects on the power cord. Position the cord so that it will not be stepped on or tripped over. Make sure the power cord is not in contact with hot surface.
- ✿ Should the power cord of the product be damaged, have it repaired by an authorized service technician to prevent causing a dangerous situation. It is forbidden to use a product with a damaged power cord or plug.
- ✿ Do not disconnect the power cord from the wall socket by pulling the cord.
- ✿ Do not spray the product with water or any other liquid. Do not power water or any other liquids into the product. Do not submerge the product in water or any other liquid.
- ✿ Never use the product near a bathtub, wash basin or any other container filled with water.
- ✿ If you are not using the product or if you know that you will not be using it soon, turn it off and disconnect the power cord from the wall socket. Proceed in the same way prior to cleaning.

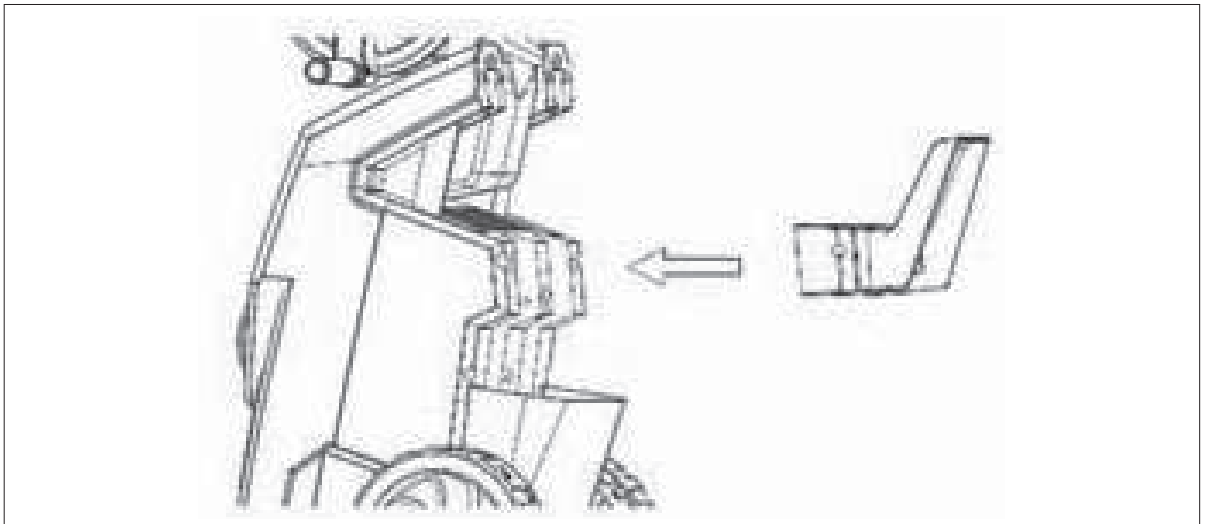
- ✿ Never leave the running product unattended.
- ✿ Allow the product to cool down properly before storing.
- ✿ Pay special attention if the product is used near children. Always keep the product away from children. Supervise the children to be sure they will not use the product as a toy.
- ✿ To increase safety, the electrical installations shall be connected by a qualified electrical engineer. We recommend installing a residual current circuit-breaker (RCCB) with a response time of 30mA/30 ms or a device monitoring the earth circuit (talk to your electrical engineer about the options).
- ✿ Pulling the power cord from the wall socket by force may cause damage.
- ✿ To avoid damage of the hose, do not step on it or bend it by force. Do not use the product with a bent or damaged hose.
- ✿ Do not run over the power cord with the product.
- ✿ The product is equipped with a thermal fuse - if the motor or the pump get overheated, the thermal fuse will turn the appliance off. As soon as the motor or pump cool down, they can be turned on again. Warning!!! To avoid a risk of a sudden recovery of the thermal fuse, the appliance shall not be powered via an external device such as a timer or shall not be connected to a circuit which is periodically turned on and off.
- ✿ High-pressure jet can be dangerous if handled inappropriately. It is forbidden to direct the jet at other people, oneself, pets, electrical appliances or the high-pressure washer itself.
- ✿ Never place the pistol or extension to your ears or eyes.
- ✿ Should you use an extension cable to the power supply network, it shall be of the waterproof design.
- ✿ The manufacturer shall not be liable for damages caused by inappropriate use of the appliance and accessories (injuries, burns, scalding, fire, food spoilage, etc.).

5. ASSEMBLY INSTRUCTIONS

- ✿ Locate and remove all loose parts from the carton.
- ✿ With wheel oriented as shown, and push them into place.



- ✿ With cord wrap oriented as shown, secure in place with screw. Tighten screw.



PRESSURE WASHER OPERATING FEATURES

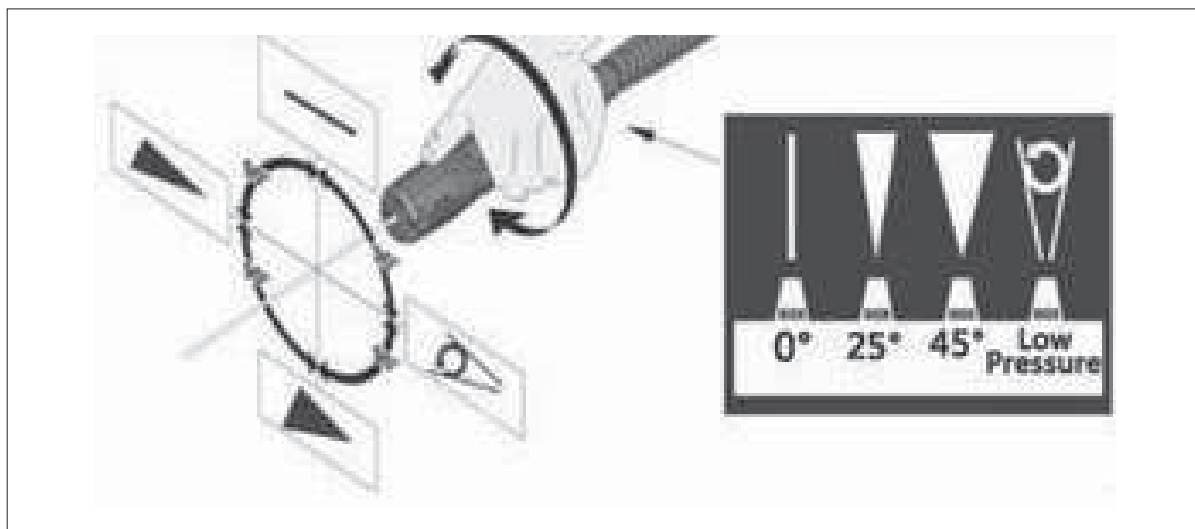
HOW TO USE 4IN1 LANCE

⚠ **ATTENTION!** NOTICE:

The powerful spray from your pressure washer is capable of causing damage to surfaces such as wood, glass, automobile paint, auto striping and trim and delicate objects such as flowers and shrubs. Before spraying, check the item to be cleaned to assure that it is strong enough to resist damage from the force of the spray. The 0° pencil stream adjustment is very aggressive. A 20° spray angle is recommended for most cleaning applications to avoid damage to the surface being cleaned.

📖 **Note:** The pressure of the spray on the surface you are cleaning increases as you move the wand closer to the surface.

The high pressure setting is for cleaning and rinsing,
For high pressure operation, pull back the name of the variable spray lance.



USING THE DETERGENT FUNCTION

⚠ **ATTENTION!** NOTICE:

Use only approved pressure washer cleaners. Do not use bleach, chlorine, or any cleaners containing acids.

- ✿ Change the 4 IN 1 lance to LOW pressure Nozzle.
- ✿ Fill the detergent bottle (under the hose wheel) with suitable detergent.
- ✿ Squeeze the trigger and the detergent will automatically be mixed with the water and dispensed from the nozzle.
- ✿ When you have completed use of the detergent bottle, flush clean water through the nozzle until clean.
- ✿ See Storage section in this manual for proper shutdown and storage procedures.

Cleaning techniques

When cleaning with the pressure washer, some cleaning tasks can be solved with water alone, but for most it is advantageous to use a detergent. A detergent ensures quick soaking of the dirt allowing the high pressure water to penetrate and remove the dirt more effectively.

Application of detergent


 **ATTENTION!** CAUTION:


Avoid working on hot surfaces or in direct sunlight to minimize a chance of the soap damaging painted surfaces.


 **ATTENTION!** CAUTION:


Damage may occur to painted surface if soap is allowed to dry on the surface. Wash and rinse a small section at a time.

 .Apply the solution to a DRY work surface.

 **Note:** WETTING THE SURFACE FIRST IS NOT RECOMMENDED, AS IT DILUTES THE DETERGENT AND REDUCES ITS CLEANING ABILITY.

 Allow detergent to remain on the surface for a short time before rinsing.

 Rinse with clean water under high pressure. On a vertical surface, first rinse from the bottom up, then rinse from the top down. Hold nozzle 6 – 8 in in (15-20 cm) from the work surface at a 45° angle using the flat spray as a peeling tool rather than a scrub brush.

 **Note:** Ensure that the detergent injection system is completely clean prior to switching from one detergent to another

6. STARTING

⚠ **ATTENTION!** DANGER:

Risk of injury from spray. Always engage the trigger lock when gun is not in use. Failure to do so could cause accidental spraying.

⚠ **ATTENTION!** WARNING

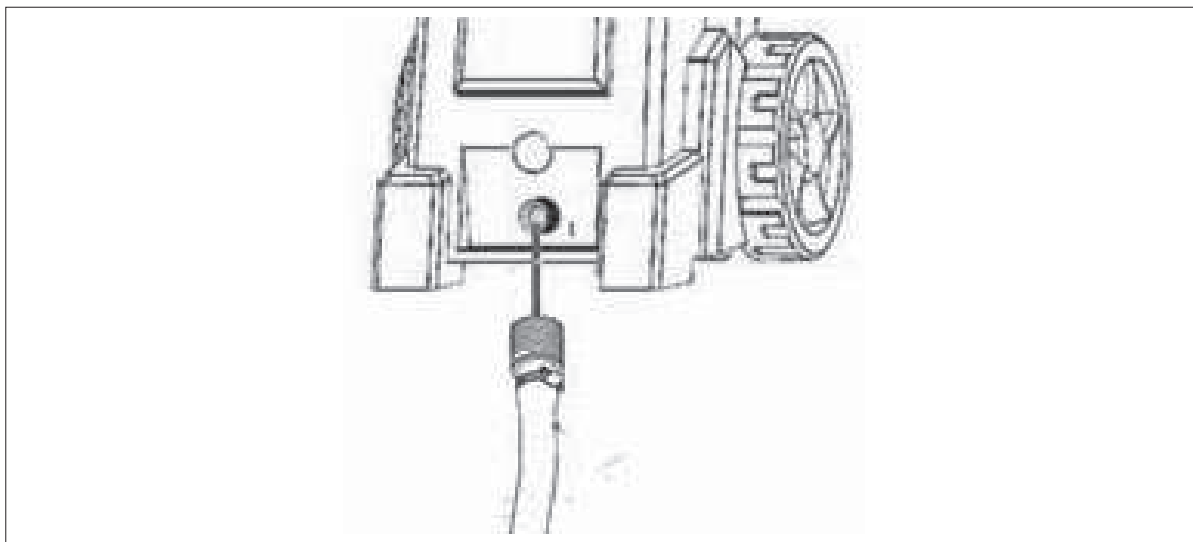
Risk of Injury. Do not direct discharge stream at self or others.

⚠ **ATTENTION!** WARNING

Risk of unsafe operation. Stand on a stable surface and grip gun/ spray wand firmly with both hands.

- ✿ Connect the garden hose to the connector on the front of the machine. Before connecting, run water through the garden hose (not supplied) to flush cut any foreign matter.

📖 **Note:** If your water source is a well, the garden hose length can only be 9m as maximum.



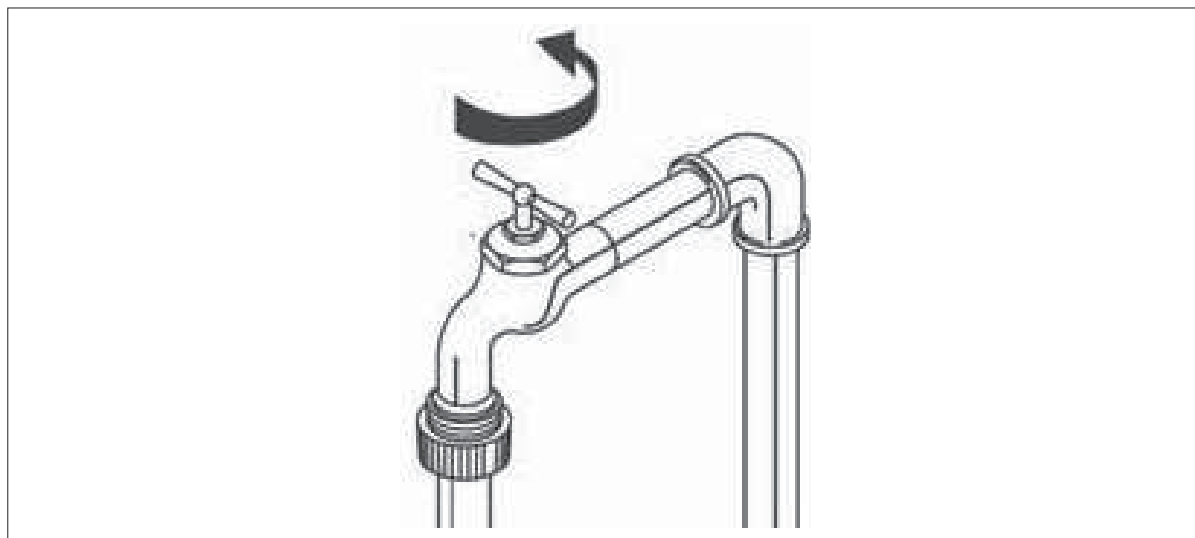
- ✿ Insert the spray lance into the gun by pushing firmly and simultaneously twisting a 1/4 of a turn counter clockwise until locked into place.



⚠ ATTENTION! WARNING

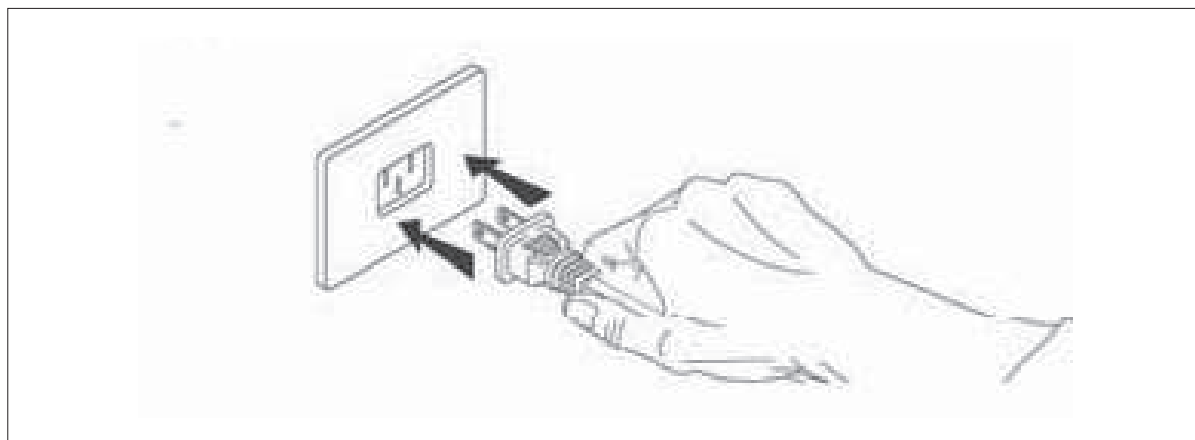
If the lance is not securely locked into place, it could be ejected under high pressure during operation, possibly causing injury or damage.

- ✿ Turn incoming water on and fully open valve to insure maximum water flow to the machine.

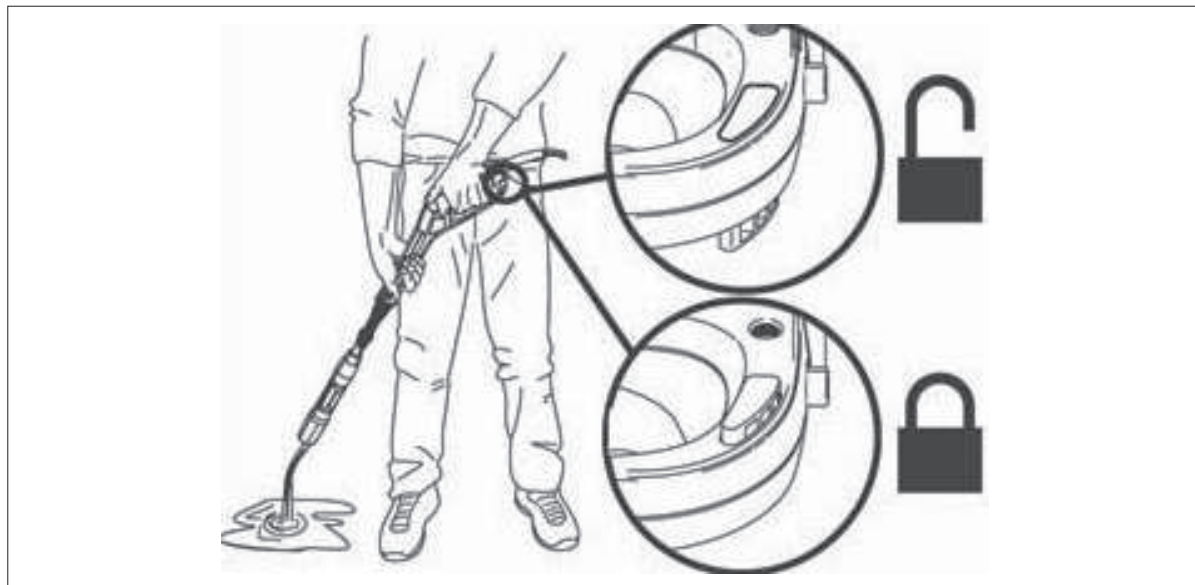


- ✿ Plug the unit into the appropriate electrical outlet.

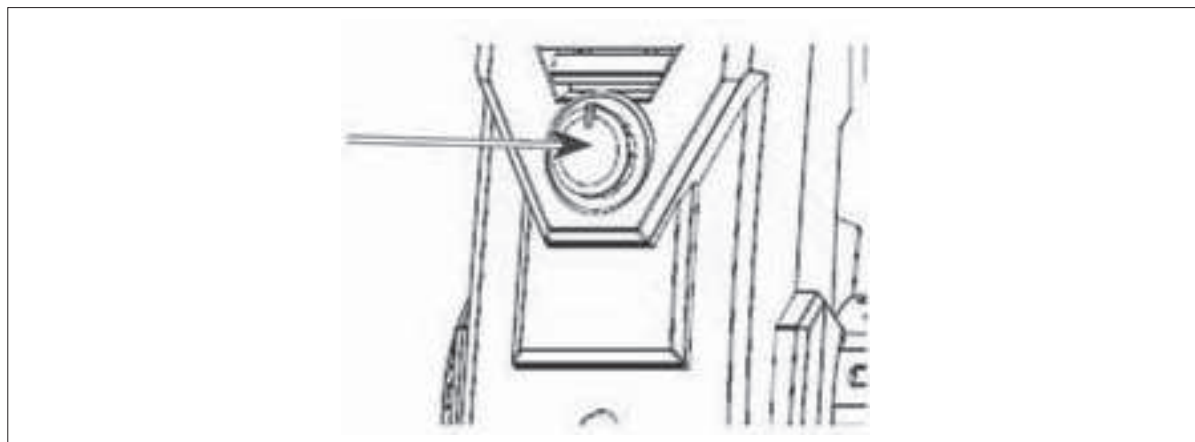
📖 Note: The power supply must be 130V, 50 Hz and a minimum 15 amp dedicated circuit.



- ☼ Ensure the gun safety is unlocked and squeeze the trigger until the air has escaped and a steady flow of low pressure water is coming from the nozzle.



- ☼ Turn switch to ON position. Note that the motor will momentarily start then stop.



- ☼ Squeeze the trigger to start motor and begin pressure washing.
- 📖 **Note:** The motor only runs when the gun trigger is depressed and water is spraying.

Shutting down

See Storage section in this manual for proper shutdown and storage procedures.

7. STORAGE

⚠ ATTENTION! CAUTION:

Prior to moving the unit, always disconnect the garden hose via the garden hose connector.

⚠ ATTENTION! CAUTION:

Always store your pressure washer in a location where the temperature will not fall below 40 °F (4 °C). The pump in this machine is susceptible to permanent damage if frozen. **FREEZE DAMAGE IS NOT COVERED BY THE WARRANTY.**

End of use and winter storage instructions

- ✿ When finished applying detergent, thoroughly rinse suction lube and detergent nozzle by placing the suction lube in a container of clear water and running detergent nozzle at maximum flow setting for 30 seconds. This will flush an detergent residue from the suction lube and nozzle.


⚠ ATTENTION! CAUTION:



Failure to clean properly will cause the detergent nozzle to become clogged and inoperable.


- ✿ Turn the machine OFF and squeeze the trigger to release the trapped pressure inside of the machine.
- ✿ Remove both the garden nose and high-pressure hose from the unit.
- ✿ Disconnect the lance from the gun.
- ✿ Turn ON the machine and allow it to run for 5 seconds. (This will clear out most of the water trapped in the pump.)
- ✿ Unplug the machine.
- ✿ Wrap the high-pressure hose and power supply cord onto the hose/cord wrap as shown.
- ✿ Store the machine and accessories in a dry, climate controlled environment. Do not store the machine or accessories in a place where the temperature could drop below 40 °F (4 °C).

8. TROUBLESHOOTING GUIDE

| OPERATIONAL ISSUE | POSSIBLE CAUSE | SOLUTION |
|-----------------------------|---|--|
| Detergent is not dispensing | Detergent is not pressure washer approved | Use only detergents, degreasers, waxes and other cleaning solutions that are designed specifically for pressure washers. Cleaners in this category will clearly state on the label that they are meant for use in pressure washers. Do NOT use any other type of cleaning solution in your high-pressure washer. Never use bleach, ammonia, any type of acid or hot water in your appliance! |
| | The suction tube has become disconnected, clogged or kinked | Ensure the suction tube is not damaged and is properly connected to the detergent nozzle. Reconnect, clean or replace the tube as needed. |
| | Detergent nozzle is clogged with debris | Clean the nozzle according to the instructions provided in the Nozzle paragraph under the Maintenance section of this manual. |
| Detergent to water ratio | | The pressure washer draws detergent at a maximum 10:1 water to detergent ratio. Most pressure washer detergents are concentrated within this range so minimal adjustment of the detergent nozzle metering valve is required. If you feel you are using more detergent than is required for the application, you can dilute the detergent with regular tap water. |

| | | |
|---|--|---|
| Circuit breaker trips or fuse blown in fuse box | Circuit overload | Verify that the circuit is rated at 15 amps or greater. Ensure no other appliance is drawing power from the same circuit (dedicated circuit). |
| | Extensor Cord too long or wire gauge too small Nozzle partially blocked | We do not recommend using of extension cords with your high-pressure washer. If you must use an extension cord, verify that it meets the minimum requirements listed in the Extension Cord paragraph under the Power Supply & Electrical info in this manual. Clean the nozzle according to the instructions provided in the Nozzle paragraph under the Maintenance section of this manual. |
| | Nozzle partially blocked | Clean the nozzle according to the instructions provided in the Nozzle paragraph under the Maintenance section of this manual. |
| Spray gun, lance or high pressure hose leaking water | Improperly connected accessory | Verify all components (gun, lance, high pressure hose) are properly connected according to Instructions provided in this manual. |
| Low / surging pressure or motor does not stop when spray gun trigger is released  Note: The Pressure washer is NOT receiving full volume of incoming water The machine requires pressurized water source capable of sustaining a minimum of 20 psi at 5 gpm. | Faucet is not fully open | Verify incoming water supply faucet is open at the maximum setting. |
| | Garden hose is too long or it is kinked / restricted | Use a maximum garden hose length of 50 ft. (15,2 m) (city water) or 25 ft. (7,5 m) (well water). Ensure the garden hose is laid out flat and does not have any kinks or leaks. Unwrap garden hose from reel or hook (if applicable). Replace garden hose if necessary. |
| | Water inlet filter screen is clogged | Remove the filter screen (O) from the water inlet (M) and clean it thoroughly. Replace the filter screen. |
| | Extension cord is too long or wire gauge is too small | We do not recommend using of extension cords with your high-pressure washer. If you must use an extension cord, verify that it meets the minimum requirements listed in the Extension Cord paragraph under the Power Supply & Electrical info in this manual. |

| | | |
|--|---|---|
| No water coming out of nozzle | Nozzle is clogged | Clean the nozzle according to the instructions provided in the Nozzle paragraph under Maintenance section of this manual. |
| | Water inlet filter screen is clogged | Remove filter screen (O) from the water inlet (M) and clean it thoroughly. Replace the filter screen. |
| | Kink in the garden hose or hose is wrapped on a storage wheel | Use a maximum garden hose length of 50 ft. { 15,2 m (city water) or 25 ft. (7.6 m) (well water)}. Ensure the garden hose is laid flat and does not have any kinks or leaks. Unwrap garden hose from reel or hook (if applicable). Replace garden hose if necessary. |
| Spray Gun Trigger will NOT Move | Gun safety lock is engaged | Release safety lock according to instructions provided in the Starting paragraph under Operation in this manual. |
| Unit will NOT start  Note: Unit will only start and run when trigger is depressed and water is spraying! | Unit is not turned ON | Verify that the ON/OFF switch is full engaged in the ON position. |
| Motor stops working during normal operation  Note: Motors thermal overload switch tripping the motor is overheated Allow the motor to cool for 20 minutes before troubleshooting and the switch will automatically reset | Extension cord is too long or wire-gauge is too small | We do not recommend using of extension cords with your high-pressure washer. If you must use an extension cord, verify that it meets the minimum requirements listed in the Extension Cord paragraph under the Power Supply & Electrical info in this manual. |
| | Defective Spray Gun | Clean the nozzle according to the instructions provided in the Nozzle paragraph under Maintenance section of this manual. |

| | | |
|---|--|---|
| <p>Connecting and Disconnecting the Spray Lance</p> <p> Note: Due to the high pressures produced by your pressure washer, the lance must seal lightly to the gun. As the result of normal operation the lance can become difficult to attach or remove and this process may require considerable force.</p> | | <p>To attach the Lance - apply steady downward pressure on the lance (in the direction of the trigger) while simultaneously twisting the lance 90° counter clockwise. It may help if you set the gun vertically on a flat surface with the lance pointing upwards. The two tabs on the end of the lance must be fully inserted in the gun before the lance will twist and lock. If this does not work then remove the bayonet o-ring from the end of the lance and attach the lance to the gun without the o-ring in place. You will need to replace the o-ring.</p> |
| | | <p>To remove the Lance - release any trapped pressure in the gun f hose by turning the unit OFF and squeezing the gun trigger. Apply steady downward pressure on the lance (in the direction of the trigger) while simultaneously twisting the lance 90° clockwise. It may help if you set the gun vertically on a flat surface with the lance pointing upwards.</p> |

9. TECHNICAL SPECIFICATIONS

| | |
|--|--------------------|
| Nominal voltage | 230 V |
| Nominal frequency | 50 Hz |
| Nominal power input | 2000 W |
| Nominal pressure | 9 MPa |
| Maximum pressure | 13,5 Mpa |
| Nominal flow rate | 6,5 L/ min. |
| Maximum flow rate | 8 L/ min. |
| Maximum feed water temperature | 40°C |
| Hose length | 7 m |
| Operating range | 12 m |
| Internal protectio | II. |
| Power cord length | 5 m |
| Dimensions (width x depth x height) | 345 x 460 x 840 mm |
| Weight without accessories | 10,9 kg |
| Weight with accessories | 12,8 kg |
| Maximum water inlet pressure in pascals | 0,68 MPa |
| Minimum water inlet pressure in pascals in case it is necessary for correct operation of appliance | 0,05 MPa |
| Sound pressure level (Lpa) | 92 dB |
| Sound power level, measured (Lwa | 96 dB |

The appliance shall be connected to the power supply systems of the Z max impedance in the place of connection (a household connection) up to 0.0277 ohms. The user shall be responsible for connecting the appliance to the power supply networks which complies with the above mentioned requirement. You can inform about the system impedance at the local power distributor´s office, if necessary.

Changes of the text and technical specifications reserved.

The User´s Manual is in a specific language version.

10. DECLARATION OF CONFORMITY

Product / brand: High-pressure Washer / FIELDMANN

Type / model: FDW 2003E 230V 50Hz / 2000W

The product is inline with regulations listed below:

- ✿ The Directive of the European Parliament and the Council No. 2006/95/EC dated 12 December 2006 on the harmonisation of the laws of the Member States relating to the electrical appliances designed for use within certain voltage limits.
- ✿ The Directive of the European Parliament and the Council No. 2004/108/EC dated 15 December 2004 on the harmonisation of the laws of the Member States relating to the electromagnetic compatibility and on cancellation of the Directive no. 89/336/EEC.
- ✿ The Directive of the European Parliament and the Council No. 2006/42/EC dated 17 May 2006 on machinery and on modification of the Directive no. 95/16/EC.
- ✿ The Directive of the European Parliament and the Council No. 2002/95/EC dated 27 January 2003 on the restriction of the use of certain hazardous substances in electrical and electronic equipment.
- ✿ The Directive of the European Parliament and the Council No. 2005/88/EC

and norms:

EN 60335-2-79:2009

EN 60335-1:2002+A11:2004+A1:2004+A12:2006+A2:2006+A13:2008+A14:2010+A15:2011

EN 62233:2008

ZEK 01.2-08/12.08

EN 55014-1:2006+A1:2009+A2:2011

EN 55014-2:1997+A1:2001+A2:2008

EN 61000-3-2:2006+A1:2009+A2:2009

EN 61000-3-3:2008

CE label:14

Company FAST ČR, a.s. is authorized to act on behalf of manufacturer.

Manufacturer:

FAST ČR, a.s.

Černokostecká 2111, 100 00 Praha 10, Czech Republic

VAT no: CZ26726548



Place of issuance: Prague

Name: Ing. Zdeněk Pech

Chairman of the Board

ate of issuance: 17.7.2014

Signature:

11. DISPOSAL

INSTRUCTIONS AND INFORMATION ON DISPOSAL OF USED PACKAGING.

Put any used package material to the place determined by the municipality for waste disposal.

DISPOSAL OF USED ELECTRIC AND ELECTRONIC EQUIPMENT



This symbol on products or accompanying documents means that used electric or electronic products must not be put to ordinary municipal waste. Hand over such products to determined collection points for proper disposal, restoration and recycling. Alternatively, in some countries of the European Union or other European countries you can return your products to your local dealer when you buy an equivalent new product. By dutiful disposal of this product you can preserve precious natural resources and you help prevent any potential adverse effects on the environment and human health which could be the results of wrong waste disposal. Ask your local authority or the nearest collection point for additional details. In case of improper disposal of this waste kind penalties can be imposed in accordance with national regulations.

For companies in the European Union countries

Should you want to dispose of electric and electronic devices, ask your dealer or vendor for necessary information.

Disposal in other countries outside the European Union

Should you want to dispose of this product, ask your local authorities or your dealer for necessary information about disposal method.



This product fulfils all basic requirements of the EU directives that apply to it.

Text, design and technical specifications can change without prior notice and we reserve the right for their change.