

# POWERPUSH®

# INSTRUCTION MANUAL

**BEFORE USING THE POWERPUSH® READ, UNDERSTAND AND SAVE ALL SAFETY INFORMATION AND INSTRUCTIONS INCLUDING:**

- BATTERY AND CHARGER MANUAL
- POWERPUSH® INSTRUCTION MANUAL
- BATTERY INFORMATION LEAFLET
- INSTRUCTIONS PROVIDED IN MSDS OR MANUFACTURER OF MATERIAL BEING DISPENSED FROM CARTRIDGE OR SAUSAGE



## 1. PowerPush® Warranty

THE WARRANTY IS NULL AND VOID IF THE TOOL HAS BEEN OPENED OR TAMPERED WITH BY ANYONE OTHER THAN THE DESIGNATED SERVICE REPAIR Centre. The warranty covers the cost of parts for repairing defects in workmanship and materials. All repairs will be completed at BTB Tools. Purchaser is responsible for shipping costs to BTB Tools. The warranty is valid for up to one year from the date of purchase.

**Note: Do not operate the POWERPUSH® until you have read and completely understand the safety and operations sections of this manual.**

## 2. General Safety Rules

### GENERAL SAFETY RULES – FOR ALL BATTERY OPERATED TOOLS:

1.  **WARNING! READ AND UNDERSTAND ALL INSTRUCTIONS.**

Failure to follow all instructions listed below may result in electric shock, fire and/or serious personal injury.

### 2. WORK AREA

- 2.1 Keep your work area clean and well lit. Cluttered benches and dark areas invite accidents.
- 2.2 Do not operate power tools in explosive atmospheres, such as in the presence of flammable liquids, gases, or dust. Power tools create sparks which may ignite the dust or fumes.

## SAVE THESE INSTRUCTIONS

- 2.3 Keep bystanders, children, and visitors away while operating a power tool. Distractions can cause you to lose control.
3. ELECTRICAL SAFETY
  - 3.1 Do not abuse the cord. Never use the cord to carry the tool. Keep cord away from heat, oil, sharp edges, or moving parts. Replace damaged cords immediately. Damaged cords may create a fire.
  - 3.2 A battery operated tool with integral batteries or a separate Battery pack must be recharged only with the specified Charger for the Battery. A Charger that may be suitable for one type of Battery may create a risk of fire when used with another Battery.
  - 3.3 Use Battery operated tool only with specifically designated Battery. Use of any other Batteries may create a risk of fire.
4. PERSONAL SAFETY
  - 4.1 Stay alert, watch what you are doing, and use common sense when operating a power tool. Do not use a power tool while tired or under the influence of drugs, alcohol, or medication. A moment of inattention while operating power tools may result in serious personal injury.
  - 4.2 Dress properly. Do not wear loose clothing or jewellery. Contain long hair. Keep your hair, clothing, and gloves away from moving parts. Loose clothes, jewellery, or long hair can be caught in moving parts.
  - 4.3 Avoid accidental starting. Be sure the Variable Speed Power Trigger is in the locked or off position before inserting the Battery. Carrying tools with your finger on the Variable Speed Power Trigger or inserting the Battery into a tool with the Variable Speed Power Trigger on invites accidents.
  - 4.4 Remove any adjusting keys or wrenches before turning the tool on. A wrench or a key left attached to a rotating part of the tool may result in personal injury.
  - 4.5 Do not overreach. Keep proper footing and balance at all times. Proper footing and balance enable better control of the tool in unexpected situations.

- 4.6 Use safety equipment. Always wear eye protection. Dust mask, non-skid safety shoes, hard hat, or hearing protection must be used for appropriate conditions.
5. **TOOL USE AND CARE**
- 5.1 Use clamps or other practical ways to secure and support the work piece to a stable platform. Holding the work by hand or against your body is unstable and may lead to loss of control.
  - 5.2 Do not force tool. Use the correct tool for your application. The correct tool will do the job better and safer at the rate for which it was designed.
  - 5.3 Do not use tool if the Variable Speed Power Trigger does not turn it on or off. A tool that cannot be controlled with the Variable Speed Power Trigger is dangerous and must be repaired.
  - 5.4 Disconnect Battery from tool or place the Variable Speed Power Trigger in the locked or off position before making any adjustments, changing accessories, or storing the tool. Such preventative safety measures reduce the risk of starting the tool accidentally.
  - 5.5 Store idle tools out of the reach of children and other untrained persons. Tools are dangerous in the hands of untrained users.
  - 5.6 When Battery is not in use, keep it away from other metal objects like: paper clip, coins, keys, nails, screws, or other small metal objects that can make a connection from one terminal to another. Shorting the Battery terminals together may cause sparks, burns, or a fire.
  - 5.7 Maintain tools with care. Keep cutting tools sharp and clean. Properly maintained tools with sharp cutting edge are less likely to bind and are easier to control.
  - 5.8 Check for misalignment or binding of moving parts, breakage of parts, and any other condition that may affect the tool's operation. If damaged, have the tool serviced before using. Many accidents are caused by poorly maintained tools.
  - 5.9 Use only accessories that are recommended by the manufacturer for your model. Accessories that may be suitable for one tool may create a risk of injury when used for another tool.
6. **SERVICE**
- 6.1 Tool service must only be performed by qualified repair personnel. Service or maintenance performed by unqualified personnel may result in a risk of injury.
  - 6.2 When servicing a tool, use only identical replacement parts. Follow instructions in the Maintenance section of this manual. Use of unauthorized parts or failure to follow Maintenance Instructions may create a risk of shock or injury.

### 3. SPECIFIC SAFETY RULES AND SYMBOLS

#### ADDITIONAL SAFETY RULES – FOR POWERPUSH® CORDLESS CAULKING GUN

##### 7. MATERIAL

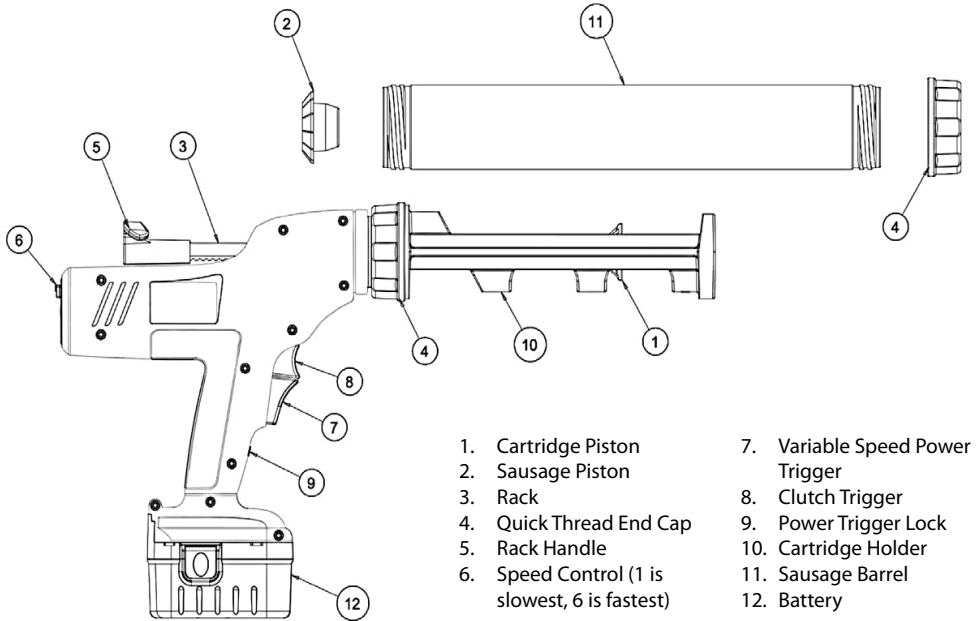
- 7.1 Before using any material, be sure to read, understand, and follow the instructions of the manufacturer of that material. Read the MSDS (Material Safety Data Sheet) supplied by the manufacturer of the material and all writing on the

material and the container thoroughly. Material may not dispense properly if it is not at the proper temperature. Material may pose a health hazard without adequate ventilation.



- 7.2 **DANGER!** Do not use to dispense any flammable or explosive material, any material that contains petroleum distillate(s), or any material that cannot be used safely near sparks or near electric motors. Do not use this tool, or any other power tool, if any phrases such as "Flammable", "Explosive", "Keep away from heat, spark, and flame", "Keep away from heat, spark, open flames and any ignition source", "Petroleum Distillate", "Distillates (Petroleum)", "Disconnect electric motors", etc., appear. This product contains an electric motor. All electric motors generate sparks and may ignite vapours from materials.
8. **CONDITION OF TOOL**
- 8.1 Do not use damaged tools. Lockout or clearly mark "DO NOT USE" until repaired. Many accidents are caused by poorly maintained tools.
  - 8.2 Do not alter or modify tool. Any alteration or modification is a misuse and may result in a dangerous condition.
9. **MAINTENANCE**
- 9.1 Do not disassemble tool or Battery. At conclusion of its useful life, remove Battery from tool. Without further disassembly, return Battery intact for recycling and/or discard tool intact. Disassembly and reassembly may create an unsafe condition.
  - 9.2 Do not adjust internal components. This may cause an unsafe condition.
  - 9.3 Use only mild soap for cleaning. Other cleaning agents such as gasoline, carbon tetrachloride, ammonia, etc., may damage plastic parts. Do not immerse dispenser, battery, or charger in any liquid, as this may cause damage and unsafe conditions.
  - 9.4 Always unplug Charger before cleaning and when it is not in use. Failure to do so may result in shock or fire.
10. **OPERATION**
- 10.1 When operating the POWERPUSH®, use both hands. Use of both hands will help prevent dropping the tool which could cause damage to the tool or operator.
  - 10.2 Do not place hand, finger, or other foreign objects in front of Pistons while Battery is attached. This could result in injury to operator.
  - 10.3 Do not use any attachments. Use of attachments could cause personal injury or damage to tool.
  - 10.4 Do not operate without Pistons attached. This will damage the cartridge and may be dangerous.
  - 10.5 Use only with Batteries of rated voltage and same type. Higher voltages may create an electrical hazard. Other Battery types may fall from tool, creating a risk of personal injury.

## 4. FUNCTIONAL DESCRIPTION



## 5. OPERATION

### Remove and Install Battery Pack:

To remove Battery, squeeze both release buttons and slide the Battery backward.

To insert Battery, slide Battery fully onto the base of the handle.

### Install Rack:

Remove Battery, depress Clutch Trigger; insert Rack from rear of tool by wiggling and easing it into position. Do not power the Rack into the tool, as damage may occur.

### Install Cartridge Holder or Sausage Barrel:

Line up the Cartridge Holder or Sausage Barrel over Rack. Hold Quick Thread End Cap securely and screw Cartridge Holder or Sausage Barrel into Quick Thread End Cap fully.

### Install Piston:

Push Rack forward and slide Piston over it. Insert and tighten #2 Phillips screw into Piston.

### Dispense Material:

Install Cartridge or Sausage Material into the tool, install Battery, and begin dispensing.



**WARNING – Keep all body parts and foreign objects outside of cartridge holder at all times. Fingers can be injured if caught between piston and cartridge holder.**

### DEFINITION OF SYMBOLS WHICH MAY BE FOUND ON THE TOOL:



Danger, Warning



Keep hands and Foreign Objects Clear



Volts



Amps



Direct Current



Watts



CE



cCSAus

## Starting and Stopping:

Push Rack forward until Piston engages the cartridge or sausage. Pull Variable Speed Power Trigger (pulling trigger more will increase speed). Adjust Variable Speed Power Trigger to achieve desired maximum speed. To stop flow and relieve pressure, release Variable Speed Power Trigger. When dispensing is completed, release Variable Speed Power Trigger, pull Clutch Trigger, and pull Rack fully back. Remove cartridge or sausage. **NOTE** – To minimize the chance of damage to the cartridge or sausage, the dispenser automatically adjusts its output force. You may experience a variation in motor speed associated with this function. If damage or blow-by occur, adjust the speed control to a lower setting.

## 6. MAINTENANCE



**WARNING – To reduce risk of injury, always unplug the Charger and remove the Battery from the Charger or the tool before performing any maintenance. Never disassemble the tool Battery or Charger. Contact BTB Tools for all repairs.**

1. Always unplug Charger before cleaning and when it is not in use.
2. Frequent maintenance can prolong the life and safety of the tool. Every year or as necessary (depending on usage of tool), return it to a service Centre shown in the service Centre section of this manual for:
  - Electrical and mechanical inspection
  - Cleaning and lubrication
  - Testing to ensure that the electrical and mechanical systems are in proper operation.
3. If the POWERPUSH® is not running at full capacity, check to be sure that the Battery is fully charged and that the contacts on the Battery and tool are both clean. If they require maintenance, use caution and clean with an eraser. If your tool is still not operating properly, return all parts including tool, Battery and Charger to BTB Tools. Service or maintenance performed by unqualified personnel could result in injury or damage.
4. Keep handles clean, dry and free of oil or grease. Clean with mild soap and damp cloth. Do not use solvents or cleaning agents that can damage tool.
5. Follow cleaning and maintenance instructions in Battery and Charger manual.
6. Apply light coating of light machine oil to lubricate Rack as needed.

7. For internal lubrication and for all other maintenance/repairs, expect external cleaning and Battery recharging, return to BTB Tools.
8. Recycle used Batteries. Comply with all disposal regulations and laws.

## 7. ACCESSORIES

These accessories are recommended for use with the POWERPUSH®:

**BATTERY:** (# 5026-29) 14.4 Volt NiMH Battery. Green, eco-friendly, non-hazardous.



**CHARGER:** (# 5026-30) 240 Volt AC Charger



**PISTON:** (# 5026-04) Patented SuperPiston™ For use with 600ml Clear Barrel



**10oz / 310ml CARTRIDGE KIT:** (# 5510-10) kit includes Cartridge Holder, 1 Piston, 1 Quick Thread End Cap, Rack, Rack Handle, Washers & Screws

**600ml CLEAR BARREL KIT:** (# 5510-600) kit includes Clear Barrel, 2 SuperPistons™, Rack, Rack Handle, 2 Quick Thread End Caps, Washers & screws.

### **BTB AUTO GLASS & BODY SHOP TOOLS**

1B WOOD ST  
BENDIGO VIC 3550  
AUSTRALIA

Tel: +61 (0)3 5443 1755

Fax: +61 (0)3 5441 5263

sales@btbtools.com

www.btbtools.com