

TEM/TEL SERIES

Endless Remote Glass Door Merchandisers With Top Mounted Coil

MEDIUM TEMP MODELS (24" WIDE DOORS)

- TEM-3-24 TEM-5-24
 TEM-4-24 TEM-6-24

LOW TEMP MODELS (24" WIDE DOORS)

- TEL-3-24 TEL-5-24
 TEL-4-24 TEL-6-24

MEDIUM TEMP MODELS (30" WIDE DOORS)

- TEM-2-30 TEM-4-30
 TEM-3-30 TEM-5-30

LOW TEMP MODELS (30" WIDE DOORS)

- TEL-2-30 TEL-4-30
 TEL-3-30 TEL-5-30



TEL-5-30
 (shown with ends installed)



FEATURES

CONSTRUCTION

- White painted galvanized steel cabinet
- 2" foamed-in-place "zero ODP" urethane insulation
- A large heavy duty rub rail and kick plate to protect from abuse
- Five white cantilever epoxy-coated welded wire shelves with price tag molding per door
- Shelves rated to support 110 lbs. each
- Product Stop feature to prevent product from falling behind shelves
- Pre-wired cabinet-to-cabinet electrical terminal block connectors
- Standard joining kits when linking together multi-door modules
- Ends must be ordered separately
- Standard TEM vertical lighting features T-12 high output bulbs while TEL models are equipped with T-10 bulbs
- Optional electronic lighting and additional horizontal lighting available, consult factory
- Pre-piped drain in bottom of each section for cleaning purposes (with removable plug)

DOORS

- Choice of 24" or 30" wide glass doors
- Self-closing door hinge with adjustable torsion control
- Standard black door and frame (optional colors available)

REFRIGERATION

- All models designed for remote refrigeration systems
- Refrigerant:
 - TEM models: R-22
 - TEL models: R-404A
- Factory tested refrigeration system
- Oversized raceway for ease of refrigeration piping
- Full length heavy-duty copper tube evaporator coil
- Choice of electric or hot gas defrost
- Pre-mounted expansion valve
- Temperature ranges:
 - TEM models: 34° to 41°F (1° to 5°C)
 - TEL models: 0° to -15°F (18° to -26°C)

- R-factor (insulation efficiency rating): 18.75

WARRANTY

- One year limited parts

OPTIONS

- Right or left hand end kits
- Custom colors
- Electronic lighting
- Additional horizontal lighting
- Partitions
- Kickplate
- Additional 30" cantilever shelves
- Baskets



TEM/TEL SERIES

ENDLESS REMOTE GLASS DOOR MERCHANDISERS
WITH TOP MOUNTED COIL

TECHNICAL SPECIFICATIONS

MODEL	DIMENSIONS (in.)			DIMENSIONS (mm)			NO. OF DOORS	NO. OF SHELVES	SHELVING AREA SQ. FT.	USABLE CU. FT.	PRODUCT FACING SQ. FT.	NO. OF INTERIOR LIGHTS
	L*	D	H	L*	D	H						
24" WIDE DOOR MODELS												
TEM/TEL-3-24	74 ¹ / ₄	37 ³ / ₄	80	1886	959	2032	3	15	58.0	66.0	33.0	4
TEM/TEL-4-24	98	37 ³ / ₄	80	2489	959	2032	4	20	78.0	87.0	43.0	5
TEM/TEL-5-24	121 ³ / ₄	37 ³ / ₄	80	3092	959	2032	5	25	97.0	108.0	54.0	6
TEM/TEL-6-24	145 ¹ / ₂	37 ³ / ₄	80	3696	959	2032	6	30	116.0	129.0	64.0	7
30" WIDE DOOR MODELS												
TEM/TEL-2-30	63 ¹ / ₂	37 ³ / ₄	80	1613	959	2032	2	10	49.0	56.0	23.0	3
TEM/TEL-3-30	94 ¹ / ₂	37 ³ / ₄	80	2400	959	2032	3	15	73.0	84.0	42.0	4
TEM/TEL-4-30	124 ¹ / ₂	37 ³ / ₄	80	3162	959	2032	4	20	97.0	110.0	55.0	5
TEM/TEL-5-30	155	37 ³ / ₄	80	3937	959	2032	5	25	122.0	137.0	68.0	6

*Add 2" (51mm) to length for each end or insulated partition.

NOTE: Medium temp units furnished with R-22 expansion valve unless otherwise specified. Low temp units furnished with R-404A expansion valve unless otherwise specified.

ELECTRICAL

MODEL	120 VOLT - 1 PHASE			230 VOLT - 1 PHASE	
	LIGHTS	HEATERS	FANS	FANS	DEFROST
MEDIUM TEMP 24" WIDE DOORS					
TEM-3-24	2.3	2.3	1.0	N/A	N/A
TEM-4-24	2.9	3.1	1.0	N/A	N/A
TEM-5-24	3.5	3.3	1.4	N/A	N/A
TEM-6-24	5.2	4.8	1.4	N/A	N/A
MEDIUM TEMP 30" WIDE DOORS					
TEM-2-30	1.7	2.0	1.0	N/A	N/A
TEM-3-30	3.2	2.6	1.0	N/A	N/A
TEM-4-30	4.8	3.5	1.4	N/A	N/A
TEM-5-30	4.8	4.3	1.4	N/A	N/A
LOW TEMP 24" WIDE DOORS					
TEL-3-24	4.0	5.4	N/A	0.5	6.7
TEL-4-24	5.0	7.3	N/A	0.5	8.0
TEL-5-24	6.0	8.9	N/A	0.7	9.2
TEL-6-24	8.4	9.4	N/A	0.7	10.1
LOW TEMP 30" WIDE DOORS					
TEL-2-30	3.0	3.5	N/A	0.5	5.0
TEL-3-30	5.2	5.5	N/A	0.5	6.7
TEL-4-30	5.0	7.3	N/A	0.7	9.5
TEL-5-30	7.8	9.2	N/A	0.7	12.5

SHIPPING WEIGHTS

MODEL	SHIP WT. LB/KG
MEDIUM TEMP 24" WIDE DOORS	
TEM-3-24	1325/602
TEM-4-24	1520/691
TEM-5-24	1720/782
TEM-6-24	2140/973
MEDIUM TEMP 30" WIDE DOORS	
TEM-2-30	755/343
TEM-3-30	1435/652
TEM-4-30	1670/759
TEM-5-30	2000/909
LOW TEMP 24" WIDE DOORS	
TEL-3-24	1245/566
TEL-4-24	1300/591
TEL-5-24	1720/782
TEL-6-24	2140/973
LOW TEMP 30" WIDE DOORS	
TEL-2-30	1085/493
TEL-3-30	1325/602
TEL-4-30	1915/870
TEL-5-30	1955/889

LISTINGS



HOOKUP

Hardwire, remote refrigeration.

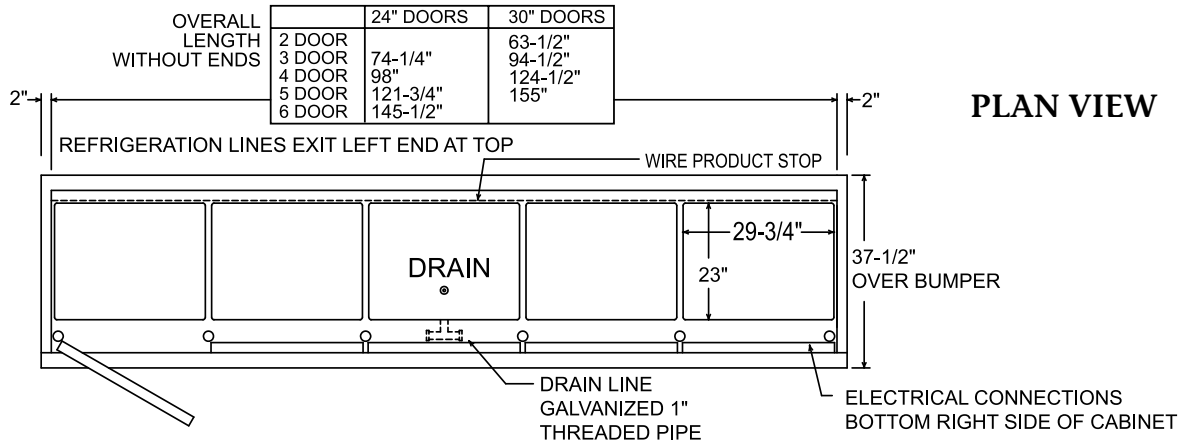
MODULES REQUIRED FOR 24" WIDE DOOR LINEUPS & BTU PERFORMANCE DATA

NO. OF DOORS	MODULES REQUIRED				TOTAL OVERALL LENGTH WITH ONE PAIR OF 2" ENDS	+20°F SUCTION MIN. BTUs (75°F STORE, 55% RH, +35°F AVERAGE PRODUCT TEMP.)	-11°F SUCTION MIN. BTUs (75°F STORE, 55% RH, -3°F AVERAGE PRODUCT TEMP.)	-18°F SUCTION MIN. BTUs (75°F STORE, 55% RH, -12°F AVERAGE PRODUCT TEMP.)
	3 DOOR	4 DOOR	5 DOOR	6 DOOR				
3	1				78 ¹ / ₄ "	3750	4750	5125
4		1			102"	4600	6150	6550
5			1		125 ³ / ₄ "	5750	7625	8300
6				1	149 ¹ / ₂ "	6900	9150	9960
7	1	1			176 ¹ / ₄ "	8050	10,675	11,620
8		2			200"	9200	12,200	13,280
9		1	1		223 ³ / ₄ "	10,350	13,725	14,940
10			2		247 ¹ / ₂ "	11,500	15,250	16,600
11			1	1	271 ¹ / ₄ "	12,650	16,775	18,260
12				2	295"	13,800	18,300	19,920
13		2	1		321 ³ / ₄ "	14,950	19,825	21,580
14		2		1	345 ¹ / ₂ "	16,100	21,350	23,240
15			3		369 ¹ / ₄ "	17,250	22,875	24,900
16		4			396"	18,400	24,400	26,560
17			1	2	416 ³ / ₄ "	19,550	25,925	28,220
18				3	440 ¹ / ₂ "	20,700	27,450	29,880
19		1	3		467 ¹ / ₄ "	21,850	28,975	31,540
20			4		491"	23,000	30,500	33,200
21	1			3	514 ³ / ₄ "	24,150	32,025	34,860
22		1		3	538 ¹ / ₂ "	25,300	33,550	36,520
23			1	3	562 ¹ / ₄ "	26,450	35,075	38,180
24				4	586"	27,600	36,600	39,840
25			5		612 ³ / ₄ "	28,750	38,125	41,500

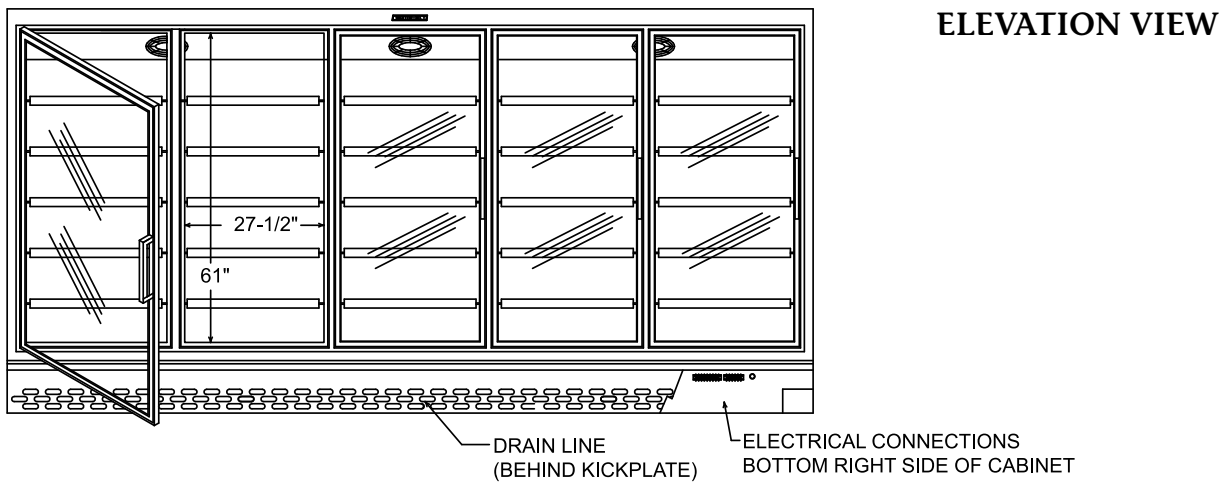
MODULES REQUIRED FOR 30" WIDE DOOR LINEUPS & BTU PERFORMANCE DATA

NO. OF DOORS	MODULES REQUIRED				TOTAL OVERALL LENGTH WITH ONE PAIR OF 2" ENDS	+20°F SUCTION MIN. BTUs (75°F STORE, 55% RH, +35°F AVERAGE PRODUCT TEMP.)	-11°F SUCTION MIN. BTUs (75°F STORE, 55% RH, -3°F AVERAGE PRODUCT TEMP.)	-18°F SUCTION MIN. BTUs (75°F STORE, 55% RH, -12°F AVERAGE PRODUCT TEMP.)
	2 DOOR	3 DOOR	4 DOOR	5 DOOR				
2	1				67 ¹ / ₂ "	2800	3300	3550
3		1			98 ¹ / ₂ "	3750	4750	5125
4			1		128 ¹ / ₂ "	4600	6150	6550
5				1	159"	5750	7625	8300
6		2			193"	6900	9150	9960
7	1			1	222 ¹ / ₂ "	8050	10,675	11,620
8		1		1	253 ¹ / ₂ "	9200	12,200	13,280
9			1	1	283 ¹ / ₂ "	10,350	13,725	14,940
10				2	314"	11,500	15,250	16,600
11		2		1	348"	12,650	16,775	18,260
12	1			2	377 ¹ / ₂ "	13,800	18,300	19,920
13		1		2	408 ¹ / ₂ "	14,950	19,825	21,580
14			1	2	438 ¹ / ₂ "	16,100	21,350	23,240
15				3	469"	17,250	22,875	24,900
16		2		2	503"	18,400	24,400	26,560
17	1			3	532 ¹ / ₂ "	19,550	25,925	28,220
18		1		3	563 ¹ / ₂ "	20,700	27,450	29,880
19			1	3	593 ¹ / ₂ "	21,850	28,975	31,540
20				4	624"	23,000	30,500	33,200
21		2		3	658"	24,150	32,025	34,860
22	1			4	687 ¹ / ₂ "	25,300	33,550	36,520
23		1		4	718 ¹ / ₂ "	26,450	35,075	38,180
24			1	4	748 ¹ / ₂ "	27,600	36,600	39,840
25			5		779"	28,750	38,125	41,500

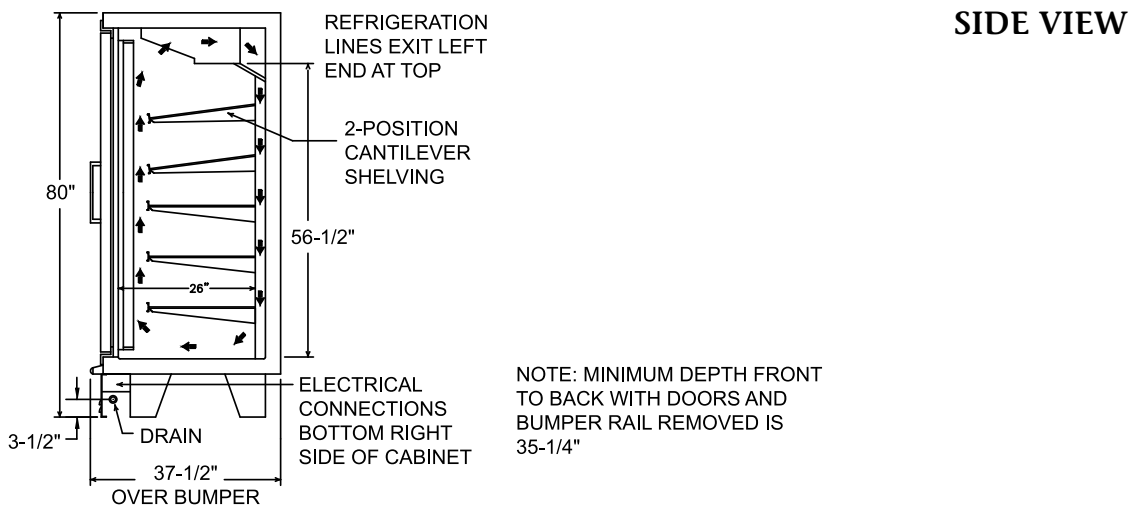
TECHNICAL DRAWINGS



PLAN VIEW



ELEVATION VIEW



SIDE VIEW



TEM/TEL SERIES

ENDLESS REMOTE GLASS DOOR MERCHANDISERS
WITH TOP MOUNTED COIL

REQUIRED CONDENSING UNITS

Use this chart to determine the correct condensing unit for your endless lineup.

Unless already indicated, add suffix "B" for one phase or "C" for three phase model.

NO. OF DOORS	+35°F AVERAGE PRODUCT TEMP. +20°F SUCTION 75°F AIR CONDITIONED STORE 55% RELATIVE HUMIDITY			-3°F AVERAGE PRODUCT TEMP. -11°F SUCTION 75°F AIR CONDITIONED STORE 55% RELATIVE HUMIDITY			-12°F AVERAGE PRODUCT TEMP. -18°F SUCTION 75°F AIR CONDITIONED STORE 55% RELATIVE HUMIDITY		
	COND. UNIT REQUIRED FOR AIR TEMP. ENTERING CONDENSER*			COND. UNIT REQUIRED FOR AIR TEMP. ENTERING CONDENSER*			COND. UNIT REQUIRED FOR AIR TEMP. ENTERING CONDENSER*		
	90°F	100°F	110°F	90°F	100°F	110°F	90°F	100°F	110°F
2	MHHX0061B	MHHX0061B	MHHX0061B	MHLZ0071	MHLZ0071	MHLZ0071	MHLZ0091	MHLZ0091	MHLZ0091
3	MHHX0061B	MHHX0061B	MHHX0061B	MHLZ0071	MHLZ0091	MHLZ0091	MHLZ0091	MHLZ0121	MHLZ0121
4	MHHX0061B	MHHX0081B	MHHX0081B	MHLZ0091	MHLZ0091	MHLZ0121	MHLZ0121	MHLZ0121	MHLZ0121
5	MHHX0081B	MHHX0081B	MHHX0111	MHLZ0091	MHLZ0121	MHLZ0121	MHLZ0121	MCLZ0141	MCLZ0171
6	MHHX0111	MHHX0111	MHHX0111	MHLZ0121	MHLZ0121	MCLZ0141	MCLZ0141	MCLZ0171	MDLZ0201
7	MHHX0111	MHHX0111	MHHX0151	MHLZ0121	MCLZ0141	MCLZ0171	MCLZ0171	MDLZ0201	MDLZ0201
8	MHHX0151	MHHX0151	MHHX0151	MCLZ0141	MCLZ0171	MCLZ0171	MDLZ0201	MDLZ0201	MDLZ0231
9	MHHX0151	MHHX0151	MHHX0191	MCLZ0171	MCLZ0171	MDLZ0201	MDLZ0231	MDLZ0231	MDLZ0291
10	MHHX0151	MHHX0191	MHHX0191	MCLZ0171	MDLZ0201	MDLZ0231	MDLZ0231	MDLZ0291	MDLZ0291
11	MHHX0191	MHHX0191	MHHX0221	MDLZ0201	MDLZ0231	MDLZ0231	MDLZ0291	MDLZ0291	MDLZ0331
12	MHHX0191	MHHX0221	MHHX0221	MDLZ0231	MDLZ0231	MDLZ0291	MDLZ0291	MDLZ0291	MDLZ0331
13	MHHX0191	MHHX0221	MHHX0251	MDLZ0231	MDLZ0291	MDLZ0291	MDLZ0291	MDLZ0331	BCLZ0750
14	MHHX0221	MHHX0251	MHHX0251	MDLZ0291	MDLZ0291	MDLZ0291	MDLZ0331	BCLZ0750	BCLZ1000
15	MHHX0251	MHHX0251	MHHX0301	MDLZ0291	MDLZ0291	MDLZ0331	BCLZ0750	BCLZ0750	BCLZ1000
16	MHHX0251	MHHX0251	MHHX0301	MDLZ0291	MDLZ0331	BCLZ0750	BCLZ0750	BCLZ1000	BCLZ1000
17	MHHX0251	MHHX0301	MHHX0351	MDLZ0291	MDLZ0331	BCLZ0750	BCLZ1000	BCLZ1000	BCLZ1000
18	MHHX0301	MHHX0301	MHHX0351	MDLZ0331	BCLZ0750	BCLZ1000	BCLZ1000	BCLZ1000	BCLZ1000
19	MHHX0301	MHHX0351	MHHX0351	BCLZ0750	BCLZ0750	BCLZ1000	BCLZ1000	BCLZ1000	BCLZ1000
20	MHHX0301	MHHX0351	MHHX0441	BCLZ0750	BCLZ1000	BCLZ1000	BCLZ1000	BCLZ1000	BCLZ1500
21	MHHX0351	MHHX0351	MHHX0441	BCLZ0750	BCLZ1000	BCLZ1000	BCLZ1000	BCLZ1000	BCLZ1500
22	MHHX0351	MHHX0441	MHHX0441	BCLZ1000	BCLZ1000	BCLZ1000	BCLZ1000	BCLZ1500	BCLZ1500
23	MHHX0351	MHHX0441	MHHX0441	BCLZ1000	BCLZ1000	BCLZ1000	BCLZ1000	BCLZ1500	BCLZ1500
24	MHHX0441	MHHX0441	MHHX0441	BCLZ1000	BCLZ1000	BCLZ1000	BCLZ1500	BCLZ1500	BCLZ1500
25	MHHX0441	MHHX0441	MHHX0501	BCLZ1000	BCLZ1000	BCLZ1000	BCLZ1500	BCLZ1500	BCLZ1500

*Condensing unit and line size based on 100' line run.

See the Master-Bilt Condensing Unit & Refrigeration Systems I/O Manual for other conditions.

For other than high capacity condensing units, consult factory.

BID SPECIFICATIONS

Item no. TEM-_____ and/or TEL-_____.

Provide _____ () Endless Remote Glass Door Merchandisers - Top Mounted model no. TEM-_____ and/or TEL-_____.

Merchandiser to be constructed of white painted galvanized steel with 2" foamed-in-place "zero ODP" urethane insulation. Merchandiser may be used as a stand-alone unit or combined in a modular endless design.

Standard TEM model vertical lighting features T-12 high output bulbs while TEL models are equipped with T-10 bulbs.

Merchandiser will contain five white cantilever epoxy-coated welded wire shelves with price tag molding per door. In addition, a Product Stop feature will

prevent product from falling behind shelves. Other standard features to include:

- Heavy-duty rub rail and kick plate
- Pre-wired cabinet-to-cabinet electrical terminal block connectors
- Standard joining kits when linking together multi-door modules
- Pre-piped drain in bottom of each section with removable plug for cleaning

Glass doors will be supplied with self-closing door hinge and provision for easy adjustment of torsion and leveling. Merchandiser supplied with either 24" or 30" wide glass doors. Door and frame provided in standard black finish with optional colors available.

The refrigeration system will be remote and will contain a full-length heavy-duty copper tube evaporator coil and pre-mounted expansion valve. There will also be a choice of electric or hot gas defrost. Additionally, merchandiser will be supplied with an oversized raceway for ease of refrigeration piping. TEM models will use R-22 refrigerant while TEL models will use R-404A.

Temperature ranges will be:

- TEM models: 34° to 41°F (1° to 5°C)
- TEL models: 0° to -15°F (18° to -26°C)

Merchandiser to be provided with one year limited parts warranty.

NOTE: Cabinet designed for optimum performance in air-conditioned area at 75°F ambient and 55% relative humidity. All specifications subject to change without notice.

MB MASTER-BILT
Refrigeration Solutions

908 Highway 15 North • New Albany, MS 38652
PHONE: 800-647-1284 or 662-534-9061 • FAX: 800-232-3966 or 662-534-6049 • www.master-bilt.com

Standex
Food Service Equipment Group