

SERIES
SHOW



LED MOVING HEAD LIGHT



WASH

USER MANUAL

*** Due to our product updating, we will not do a future notice if the user manual has any changes. Sorry for any inconvenient caused! ***

PLEASE READ OVER THIS USER MANUAL BEFORE USING PRODUCTS

User manual list

1 checking fixture and components	1
2 rotation angle	1
3 1.technical specifications.....	2
4 1.installation and operation	2
5 1.fixture connection	3
6 hook installation	3
7 DMX channel description	4
8 1.Display description.....	4
9 1.DMX channel content	5
10 1.spectrum CRT	8
11 1.maintain and clean	9
12 statement	9

11 Maintain and clean

Note: After using the fixture for a long time, it will have dirty phenomenon. It will affect to use the fixture and the brightness of the light, so we suggest you to maintain and clean the lights regularly.

1. Advantage of maintain the light:

- 1) Good maintain will make sure the brightness of the light;
- 2) Good maintain will make the lights using for a longer time;
- 3) Good measure to make sure the function of the light stable;
- 4) Good maintain will make you free from worry, save money and save effort.

2. The way on how to maintain the fixture:

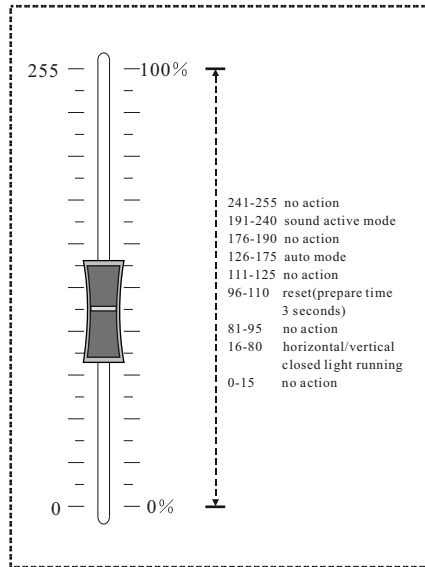
- 1) Note: Electronic component in the light such as: circuit main board, power-supply, led cannot wash clean or use the tool with fluid substance to clean;
- 2) Please clean the fixture on a fixed time which can be depends on your environment and the frequency you use the light, usually at least 4-6 months you need to clean one time;
- 3) Please disconnect the power before you clean the fixture;
- 4) Please clean the fixture just when the fixture in a stable mode;
- 5) Please take off the cover to clean the lens and fan;
- 6) It is better to use soft cloth, small brush, and blower gun to clean the fixture;
- 7) LED moving head is a modern energy conservation and environmental protection product; please make sure the voltage you use is stable on the rated voltage;
- 8) LED moving head is frontier hi-tech energy conservation and environmental; protection lighting product, please make sure the voltage you used is around the rated voltage.

12 Statement

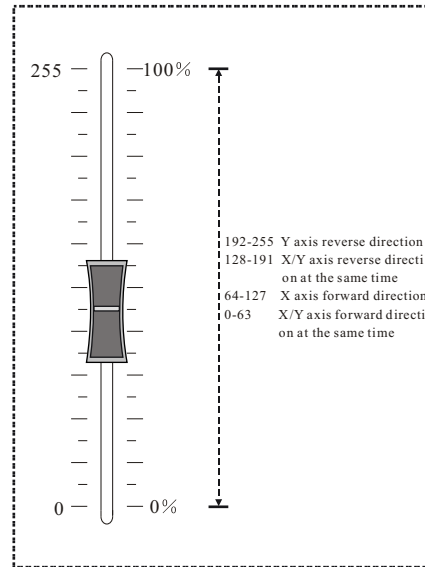
1. This fixture is tested by our factory and the quality will be good and also good packed before shipping. Any damages caused by the disregard of this user manual are not subject to warranty. The dealer will not accept liability for any resulting defects or problems.

2. Due to our product updating, we will not do a future notice if the user manual has any changes.

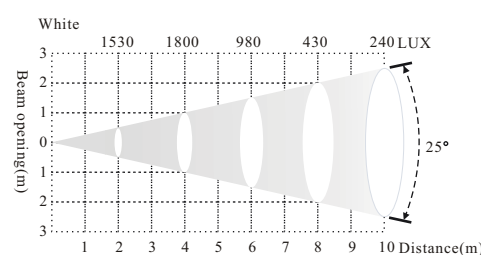
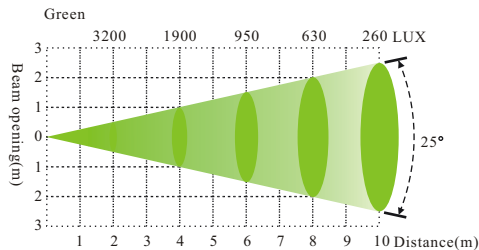
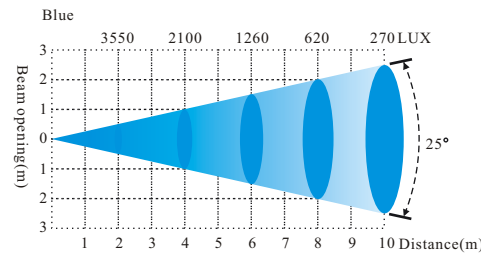
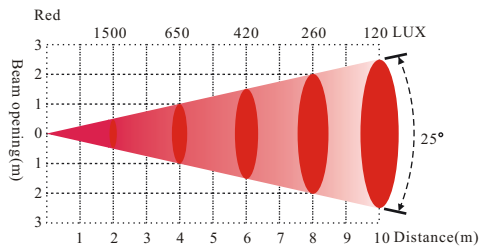
CH13: Reset/auto mode



CH14: X/Y set the



10 Spectrum CRT



Caution!



Be careful with your operations, with a dangerous voltage you can suffer a dangerous electric shock when touching wires.



Important!

Damages caused by the disregard of this user manual are not subject to warranty. The dealer will not accept liability for any resulting defects or problems.

1 Checking fixture and components

Thank you for choosing our led moving head light. If follow the introductions given in this manual, we are sure you will enjoy the device for a long period of time. Unpack your led moving head light, check carefully the content of the box and contact immediately your forwarder in case of damage.

The following items are included in the box:

- 3m/ 3-pin DMX cable: 1pc
- User manual: 1pc
- Led moving head light: 1pc

2 Rotation angle



Pan:0-540 or 0-630



Tilt:0-280

3 Technical specifications

- 1 Voltage: 100V-240V AC, 50/60HZ.
- 2 Power consumption: 150W
 360W
 260W
- 3 Light source: R24+G28+B28+W28*1W
 R24+G28+B28+W28*3W
 R/G/B LED 3 in 1*72*3W
- 4 Light Included angle: 15° 25°
- 5 DMX channel: 14CH
- 6 X axis 540deg and 630deg for option, it has auto closed-loop system

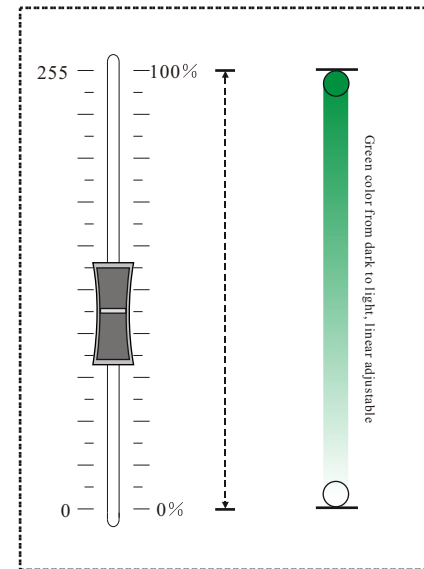
- 7 Y axis 280deg, it has auto closed-loop system
- 8 Horizontal, Vertical independent linear speed adjustable
- 9 Fine tuning: X/Y axis 16bit accurate positioning can set X/Y forward and reverse on the controller
- 10 Dimmer: 10-100% linear dimmer
- 11 Strobe: 1-10times/S (it has common strobe, thunder strobe, Radom strobe, sudden dark and lightstrobe, sudden light and dark strobe) linear adjustable
- 12 RGB256*256*256color mixing
- 13 Control mode:DMX512 signal,Master/Slave,Work Auto And Sound active
- 14 light closing&position fixing function
- 14 can edit X/Y forward and reverse direction for single light or group light on the controller
- 16 Size of fixture: 360mm*220mm*430mm
- 17 Size of package: 410mm*330mm*450mm
- 18 N. W: 9KG
- 19 G.W: 11KG

4 Installation and operation

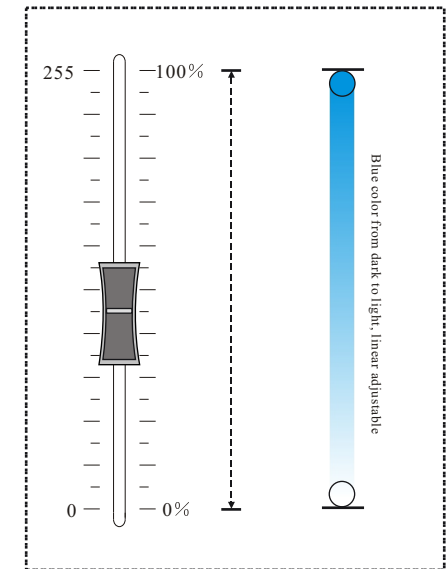
The person who install and operate this fixture should have relevant technical qualifications. Pls read and follow this manual carefully before you install and operate the fixture. Damages and loss caused by the disregard of this user manual are not subject to warranty. The dealer with not accept liability for any resulting defects or problems.

1. This fixture is indoor energy-saving and environment-protecting product. Please keep from moisture and dust.
2. please do not take apart the cover or change equipment personally.
3. When open the box, please take out the foam which used for shipping.
4. This fixture is with good quality and good packed before we ship out. Please do not take apart the cover or change equipment personally.
4. Please install the fixture in proper place to make sure use it safely and not shake the fixture to make sure get good effect. Please pay attention to shock it. Please avoid violent collision when installing.
5. Please do not connect the power cable to other cable, especially high-voltage fence.
6. The power, voltage that you used should be consistent with the label showed on light. Please make sure effective voltage is not higher or lower than the light required.
7. Please make sure the power cable is connecting well.
8. Please check the fixture and accessories in a regular time.
9. Please disconnect the light if you do not use it or when you clean it.
10. The protection level of this fixture is 1 level. Please connect yellow/green color cable to the ground.
11. Please make sure the power you use suit for the fixture before using, and the light is not external power, please do not connect the fixture into external dimmer device.

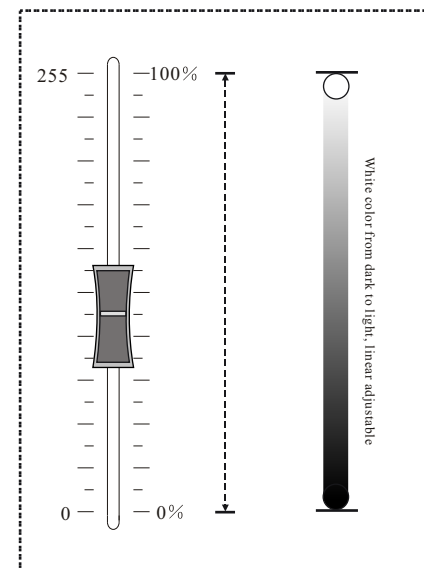
CH9: Green color



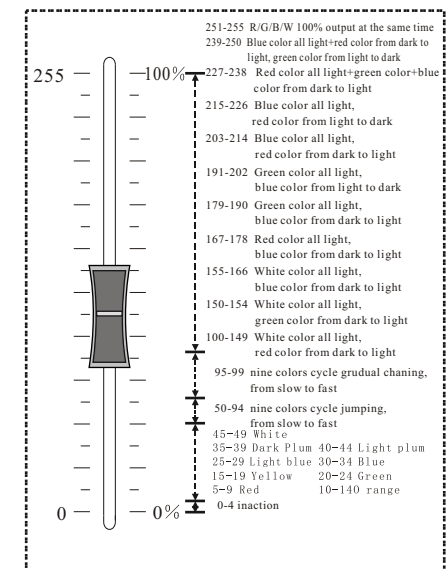
CH10: Blue color



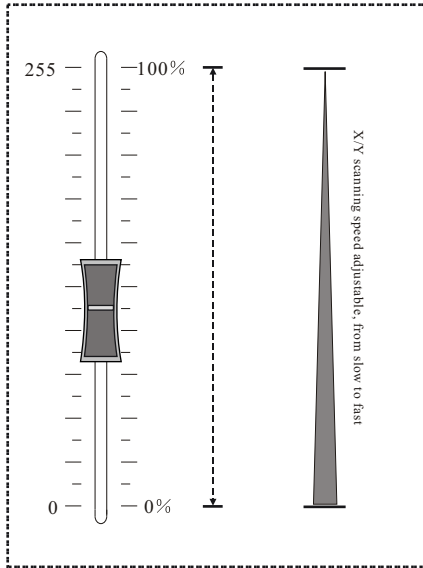
CH11: White color



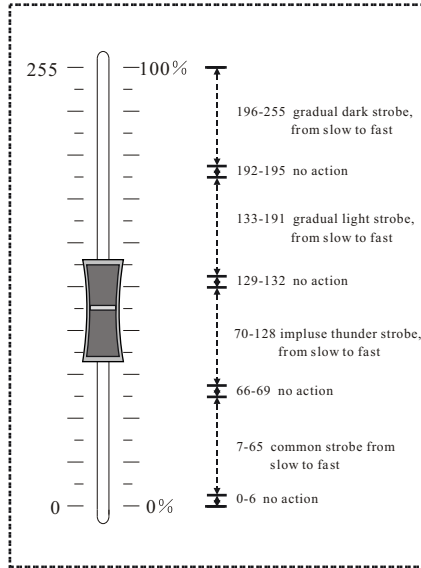
CH12: R/G/B/W macro function



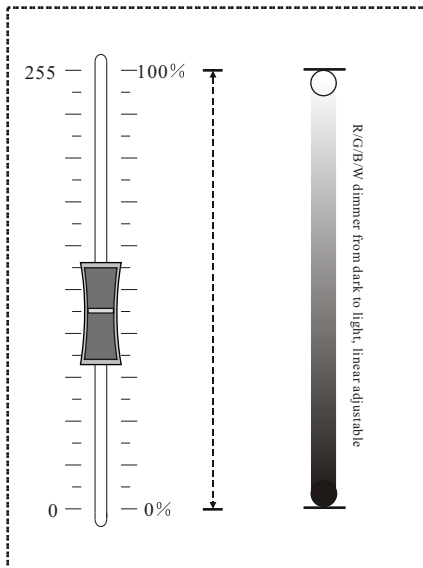
CH5: X/Y speed



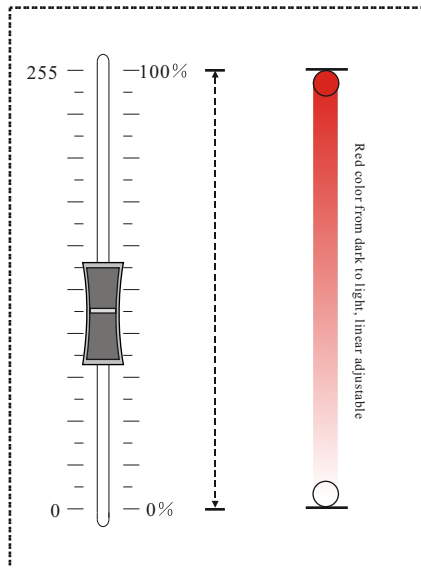
CH6: RGB strobe



CH7: R/G/B/W general dimmer

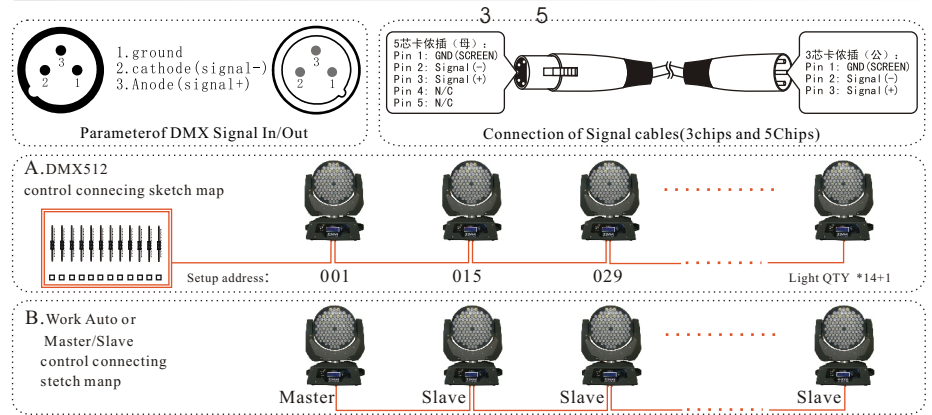


CH8: RED color

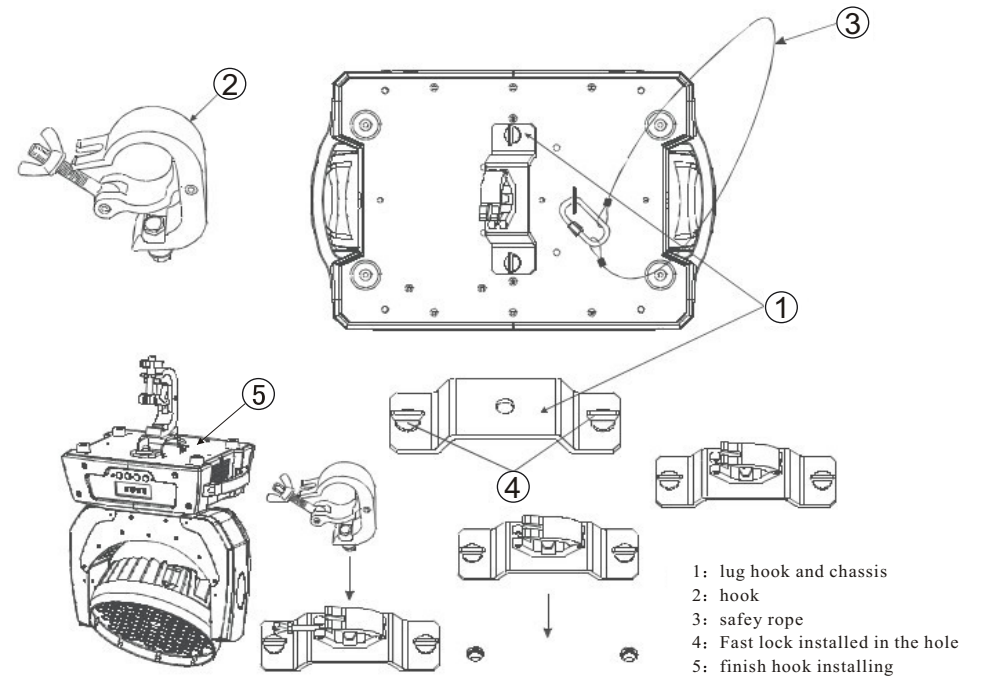


12. Please do not shot the eyes directly in a close range. Please do not let the unqualified people near to the fixture when the light is working (Such as child, epilepsy patients)
13. Please install the light more than 3 meters from inflammable place
14. Please put the light in the room with good ventilation
15. The max temperature for this fixture is 25-40 centigrade

5 Fixture connection



6 Hook installation

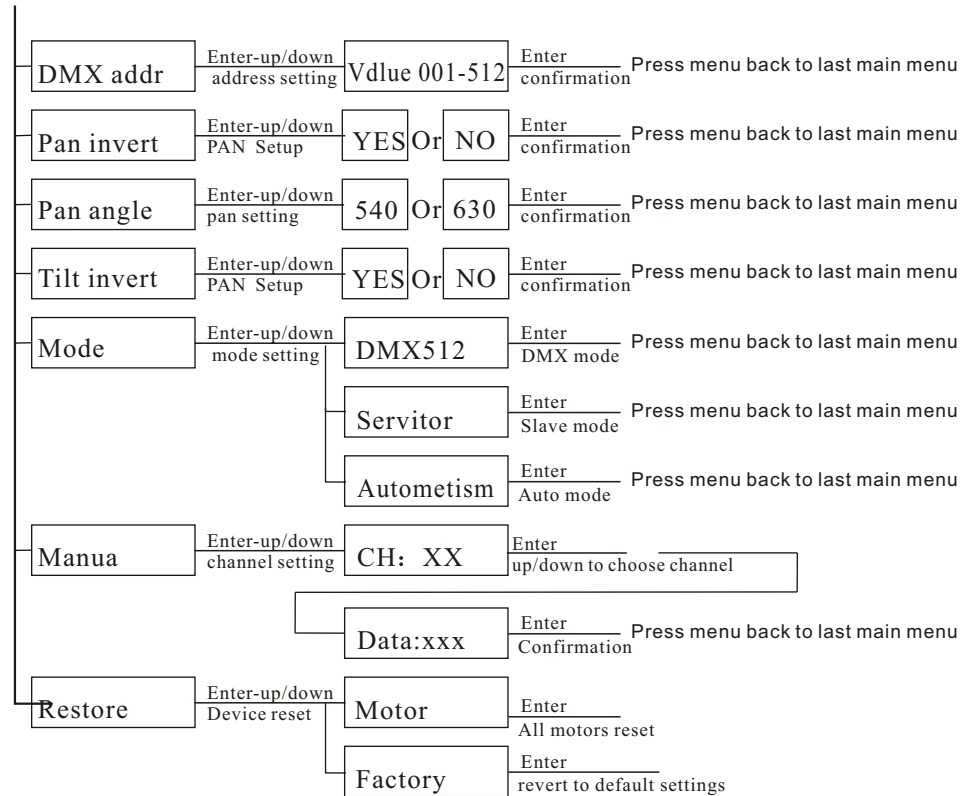


7 DMX channel description

Channel	Function	Channel	Function
CH1	X axis scanning(0-540/630)	CH8	Red color
CH2	Y axis scanning(0-280)	CH9	Green color
CH3	X axis fine scanning 16 bit	CH10	Blue color
CG4	Y axis fine scanning 16 bit	CH11	White color
CG5	X/Y axis scanning speed	CH12	RGBW color setting
CH6	RGBW strobe	CH13	Closed light running+reset+auto mode
Ch7	RGBW dimmer	Ch14	X/Y axis forward and reverse

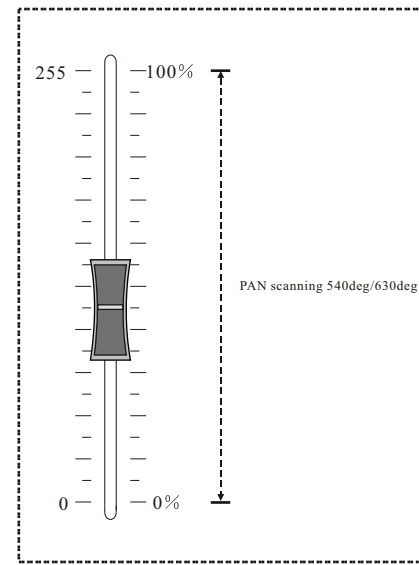
8 Display operation

LCD display operation

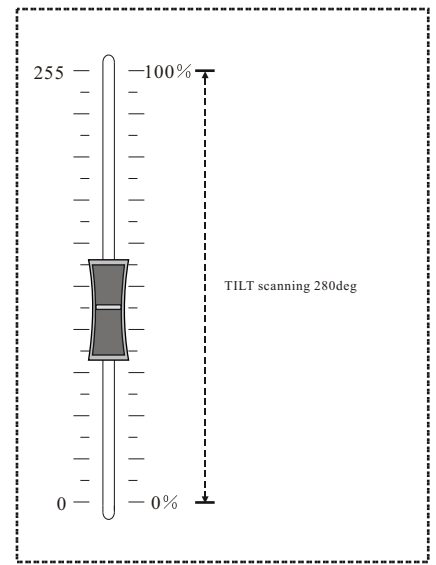


9 DMX channel content

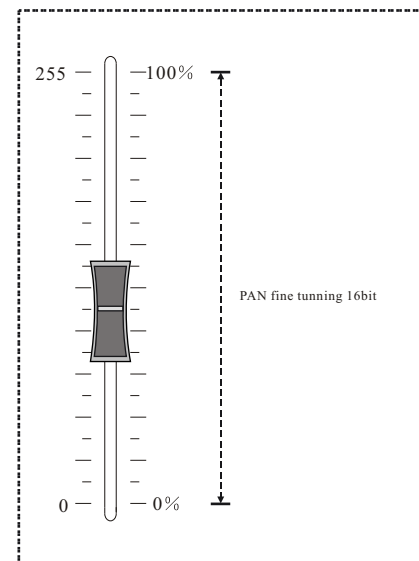
CH1: PAN scanning



CH2:TILT scanning



CH3: PAN fine tuning



CH4: TILT fine tuning

