



User Manual

Solid Hanging Truss Adaptors

T55720/T55725 - T55750/T55755 - T55780/T55785



Original Instructions

Introduction

Doughty Solid Truss Adaptors are a range of devices designed specifically for lifting and suspending truss sections with a tube diameter of 48 - 51mm. Each Solid Truss Adaptor can be adjusted to fit trusses with 207 to 239mm & 299 to 339mm chord centres.

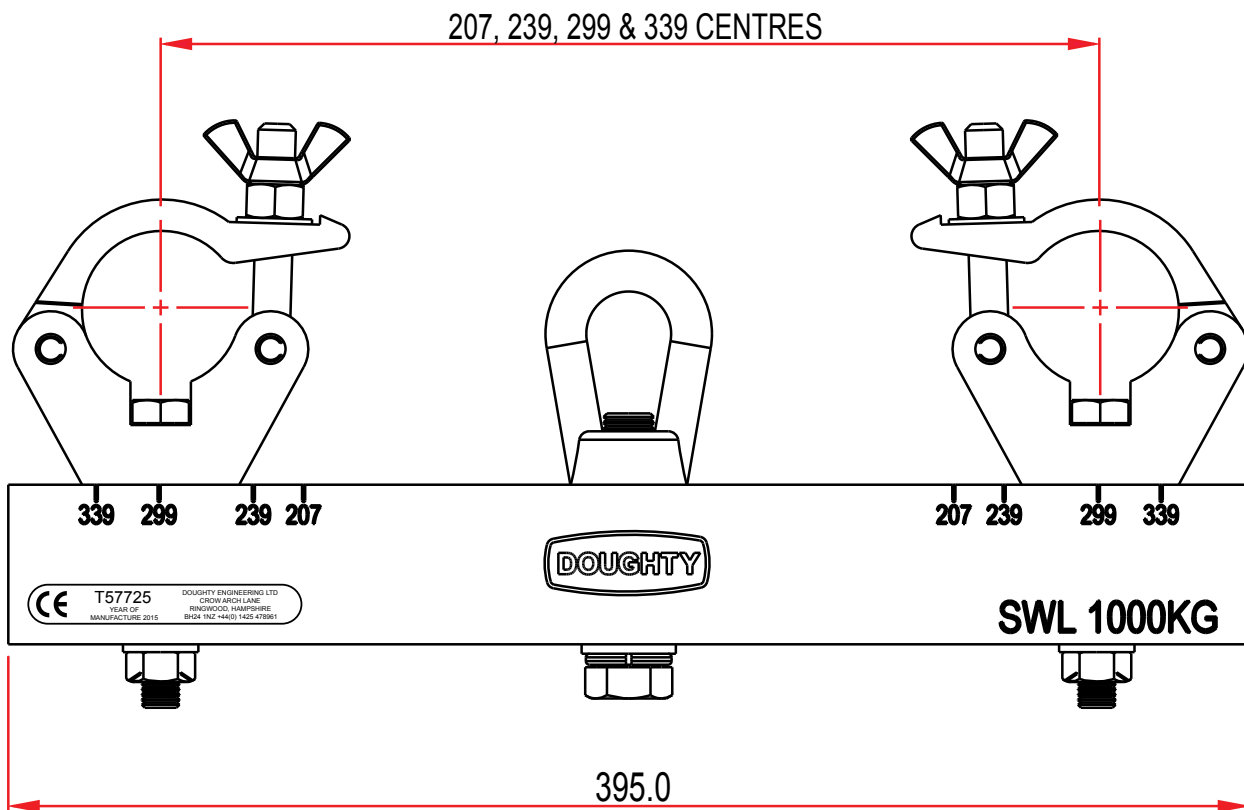
Solid Truss Adaptors are supplied with a fitted Bow Nut enabling a hook from a chain hoist or similar to be attached.

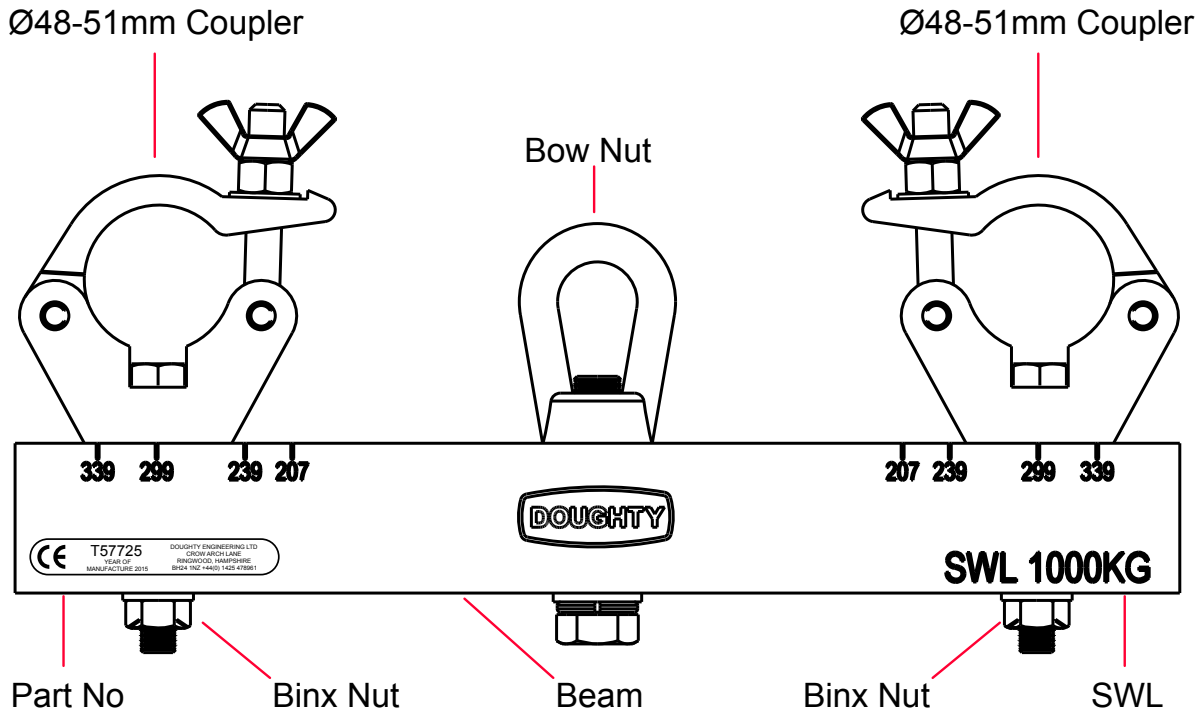
Each Solid Truss Adaptor can be adjusted to fit trusses with the following chord centres.

207 to 239mm & 299 to 339mm ctrs

Solid Truss Adaptors are available in the following three sizes:

Part No	SWL	Finish	Weight
T55720	SWL 250Kg	Polished Aluminium Finish	2.50Kg
T55725	SWL 250Kg	Satin Black Powder Painted Finish	2.50Kg
T55750	SWL 500Kg	Polished Aluminium Finish	2.90Kg
T55755	SWL 500Kg	Satin Black Powder Painted Finish	2.90Kg
T55780	SWL 1000Kg	Polished Aluminium Finish	4.00Kg
T55785	SWL 1000Kg	Satin Black Powder Painted Finish	4.00Kg





Solid Truss Adaptors must only be installed/used by qualified/competent personnel.

Before each use the device must be checked for wear or damage. Do not use if worn or damaged.

When installing/using Solid Truss Adaptors you must wear appropriate personal protective equipment suitable for the environment you are working in.

You must ensure that the installation is suitable for the application.

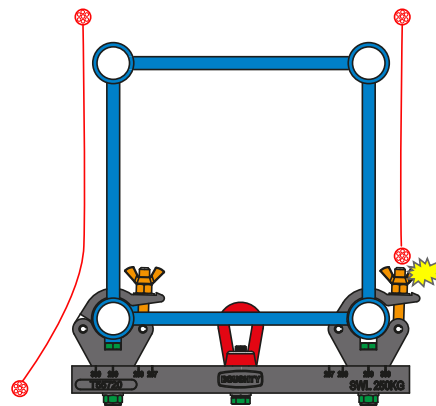
Never exceed the safe working load (SWL) as indicated on the Solid Truss Adaptor and in this Manual or SWL as instructed by your installer, as the installation conditions may alter the SWL.

When used in conjunction with any other accessories, care must be taken to ensure the SWL of any component is not exceeded.

Warning:

Doughty Engineering recommend using the couplers with the eye bolts facing inwards.

When lifting trusses with the eyebolts facing outwards, there is a chance of any trailing cables becoming snagged on the eyebolts.



These Truss Adaptors have been designed specifically to suspend triangular and square trusses from the Bow Nut.

Should the Truss Adaptor require reconfiguring as shown below in Fig 1, 2 & 3, only move the couplers. **DO NOT MOVE THE BOW NUT.**

When moving or checking the couplers, make sure that the eye bolt and fixing bolts are properly secured.

The Couplers are secured with a bolt washer and 'Binx' nut. The 'Binx' nut is a locking nut and is designed to be reused. Care must be taken to ensure the nut is not damaged and it's locking properties functional. Doughty Engineering recommend these nuts are replaced on a regular basis.

When securing the coupler to the truss, ensure the couplers are seated on the tube correctly and not seated on a weld, as this may cause the coupler to become loose during the lifting/suspension operation.

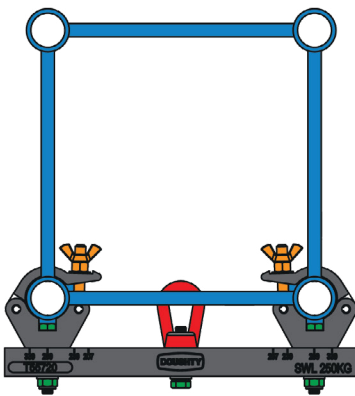


Fig 1.

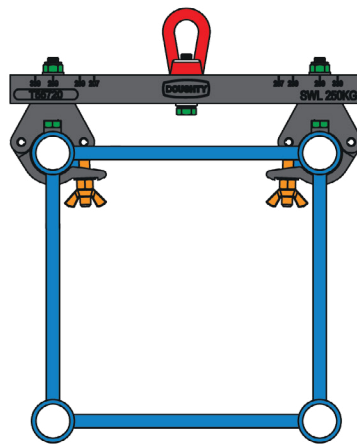


Fig 2.

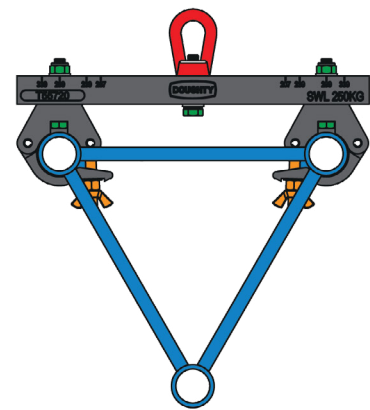
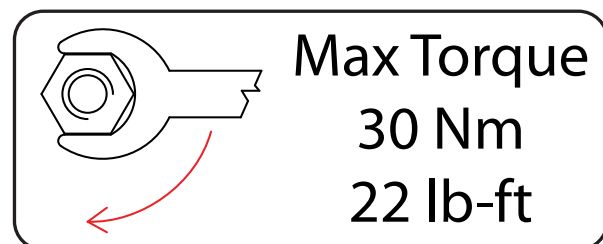


Fig 3.

The recommended torque for securing the couplers and clamping the truss is 30Nm.

Overtightening the couplers will reduce their lifespan and can damage the truss.



Important:

Always use a secondary safety device.

Maintenance

- Maintenance must only be carried out by approved personnel.
- Approved personnel must make regular checks to the product.
- If you see any damage including cracks, deformation or missing parts, the product must be removed from service and returned to an Approved Service Agent for evaluation/repair.
- A full list of Approved Service Agents can be found on our website - www.doughty-engineering.co.uk.
- Approved personnel must carry out a visual and a function test before every usage.
- Approved personnel must carry out more detailed inspection and testing of the product on a regular basis depending on the usage of the product.
- Written records should be kept from the date the product is put into operation.



Warning

- The installer/operator must read and understand the Instruction Manual before using the equipment.
- Operators must be adequately instructed and fully understand the safe use of the equipment before use.
- Failure to carry out maintenance as necessary, including the replacement of parts to the correct standard, could render this equipment unsafe and the manufacturer cannot accept any responsibility in this respect.

Do ensure the truss adaptor is only used by a competent person

Do ensure the truss adaptor is kept in a clean operational condition

Do check the condition of the truss adaptor regularly

Do check above for obstructions before using the truss adaptor

Do use an Authorised Service Agent only for maintenance and repair

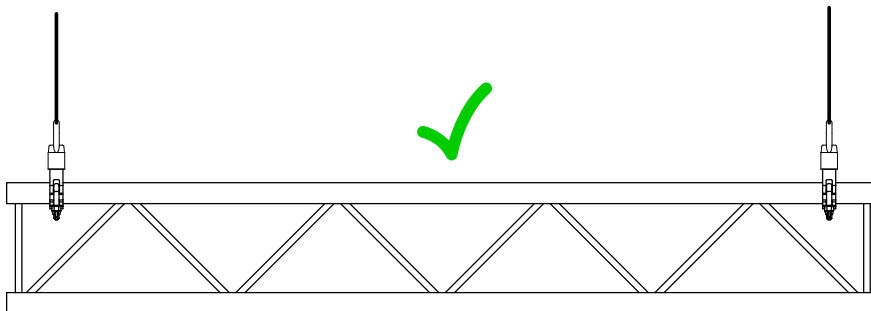
Do Not lift loads which exceed the SWL of the weakest component in the assembly

Do Not attempt to lift loads which are greater than the SWL of the truss adaptor

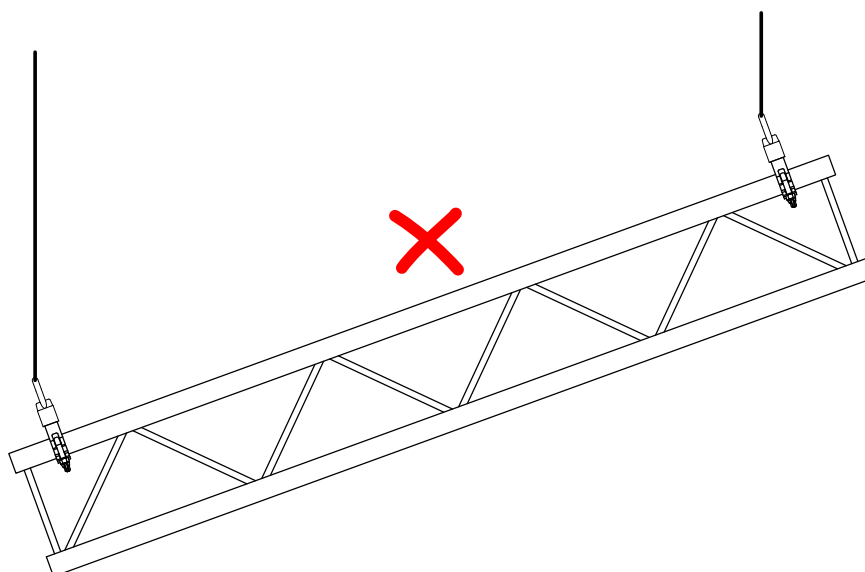
Do Not lift people

Do Not lift loads above people

Do Not lift loads with any personnel in the lifting zone



Only lift trusses horizontally





Doughty Engineering Ltd

Crow Arch Lane
Ringwood
Hants
BH24 1 NZ
Tel: 01425 478961
Fax: 01425 474481
sales@doughty-engineering.co.uk
www.doughty-engineering.co.uk

EC Declaration of Conformity according to Directive 2006/42/EC, Annex II 1A

Manufacturer

Doughty Engineering Ltd
Crow Arch Lane
Ringwood
Hampshire
BH24 1NZ

A copy of the Technical File is held at:

Doughty Engineering Ltd
Crow Arch Lane
Ringwood
Hampshire
BH24 1NZ

Description and identification of Machinery:

Description:- Solid Hanging Truss Adapter

Model:- T55720,T55725,T55750,T55755,T55780,T55785

SWL:- As Marked On Component

Please note: All parts shown with a SWL are tested under factory conditions in a horizontal plane with the load straight down unless specified otherwise.

For parts used in a different orientation we would strongly advise that they are tested after installation by a competent person & a SWL issued by them.

Always remember - Any rigging product or combination of rigging products is only as strong as it's weakest, or lowest SWL rated, parts.

We hereby declare that the above mentioned machinery fulfils all the relevant provisions of EC Directive 2006/42/EC. This declaration relates exclusively to the machinery in the state in which it was placed on the market, and excludes components which are added and/or operations carried out subsequently by the final user.

Harmonised Standards, Standards or specifications

BS EN ISO 12100:2010

Safety of machinery — General principles for design — Risk Assessment and risk reduction

BS 7905-1: 2001

Lifting equipment for performance, broadcast and similar application

Signed for and behalf of: - **Doughty Engineering Ltd**

Name:- **Stuart Rodgers** Date:-03-10-2015

A handwritten signature in blue ink, appearing to read "Stuart Rodgers".

Position: - **General Manager**

Being the person responsible appointed by the manufacturer.

Company Registration No. London 972614
Registered Office: Crow Arch Lane, Ringwood, Hants, BH24 1NZ
Directors: M.B. Lister. J.C.G. Chiverton. S.C. Wright.



Doughty Engineering Ltd

Crow Arch Lane

Ringwood, Hampshire, BH24 1NZ

Tel: +44 (0) 1425 478961 Fax: +44 (0) 1425 474481

Email: sales@doughty-engineering.co.uk

Web: www.doughty-engineering.co.uk

Note: Whilst every effort has been made to ensure that the information contained within this manual is correct, Doughty Engineering does not accept any liability for errors or omissions. Specifications and technical data are intended for guidance purposes only and may vary.