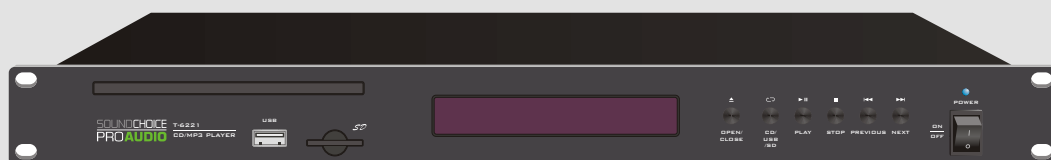


T-6221
CD/MP3 PLAYER



Please follow the instructions in this manual to obtain the optimum results from this unit. We also recommend that you keep this manual handy for future reference.

TABLE OF CONTENTS

1. SAFETY PRECAUTIONS	3
2. GENERAL DESCRIPTION	5
3. FEATURES	5
4. NOMENCLATURE AND FUNCTIONS	
4.1 Front Panel	6
4.2 Rear Panel.....	7
5. REMOTE CONTROLLER	7
6. CD OPERATION	8
7. APPLICATIONS	9
8. SPECIFICATIONS	10
9. DIMENSIONAL DIAGRAM	11

1. SAFETY PRECAUTIONS

- Be sure to read the instructions in this section carefully before use.
- Make sure to observe the instructions in this manual as the conventions of safety symbols and messages regarded as very important precautions are included.
- We also recommend you keep this instruction manual handy for future reference.

Safety Symbol and Message Conventions

Safety symbols and messages described below are used in this manual to prevent bodily injury and property damage which could result from mishandling. Before operating your product, read this manual first and understand the safety symbols and messages so you are thoroughly aware of the potential safety



WARNING

Indicates a potentially hazardous situation which, if mishandled, could result in death or serious personal injury.



CAUTION

Indicates a potentially hazardous situation which, if mishandled, could result in moderate or minor personal injury, and/or property damage.



WARNING

When Installing the Unit

- Do not expose the unit to rain or an environment where it may be splashed by water or other liquids, as doing so may result in fire or electric shock.
- Use the unit only with the voltage specified on the unit. Using a voltage higher than that which is specified may result in fire or electric shock.
- Do not cut, kink, otherwise damage nor modify the power supply cord. In addition, avoid using the power cord in close proximity to heaters, and never place heavy objects -- including the unit itself -- on the power cord, as doing so may result in fire or electric shock.
- Be sure to replace the unit's terminal cover after connection completion. Because high voltage is applied to the speaker terminals, never touch these terminals to avoid electric shock.
- Be sure to ground to the safety ground (earth) terminal to avoid electric shock. Never ground to a gas pipe as a catastrophic disaster may result.
- Avoid installing or mounting the unit in unstable locations, such as on a rickety table or a slanted surface. Doing so may result in the unit falling down, causing personal injury and/or property damage.

When the Unit is in Use

- Should the following irregularity be found during use, immediately switch off the power, disconnect the power supply plug from the AC outlet and contact your nearest sound choice dealer. Make no further attempt to operate the unit in this condition as this may cause fire or electric shock.
 - If you detect smoke or a strange smell coming from the unit.
 - If water or any metallic object gets into the unit
 - If the unit falls, or the unit case breaks
 - If the power supply cord is damaged (exposure of the core, disconnection, etc.)
 - If it is malfunctioning (no tone sounds.)
- To prevent a fire or electric shock, never open nor remove the unit case as there are high voltage components inside the unit. Refer all servicing to your nearest sound choice dealer.
- Do not place cups, bowls, or other containers of liquid or metallic objects on top of the unit. If they accidentally spill into the unit, this may cause a fire or electric shock.
- Do not insert nor drop metallic objects or flammable materials in the ventilation slots of the unit's cover, as this may result in fire or electric shock.

CAUTION

When Installing the Unit

- Never plug in nor remove the power supply plug with wet hands, as doing so may cause electric shock.
- When unplugging the power supply cord, be sure to grasp the power supply plug; never pull on the cord itself. Operating the unit with a damaged power supply cord may cause a fire or electric shock.
- When moving the unit, be sure to remove its power supply cord from the wall outlet. Moving the unit with the power cord connected to the outlet may cause damage to the power cord, resulting in fire or electric shock. When removing the power cord, be sure to hold its plug to pull.
- Do not block the ventilation slots in the unit's cover. Doing so may cause heat to build up inside the unit and result in fire.
- Avoid installing the unit in humid or dusty locations, in locations exposed to the direct sunlight, near the heaters, or in locations generating sooty smoke or steam as doing otherwise may result in fire or electric shock.

When the Unit is in Use

- Do not place heavy objects on the unit as this may cause it to fall or break which may result in personal injury and/or property damage. In addition, the object itself may fall off and cause injury and/or damage.
- Make sure that the volume control is set to minimum position before power is switched on. Loud noise produced at high volume when power is switched on can impair hearing.
- Do not operate the unit for an extended period of time with the sound distorting. This is an indication of a malfunction, which in turn can cause heat to generate and result in a fire.
- Contact your sound choice dealer as to the cleaning. If dust is allowed to accumulate in the unit over a long period of time, a fire or damage to the unit may result.
- If dust accumulates on the power supply plug or in the wall AC outlet, a fire may result. Clean it periodically. In addition, insert the plug in the wall outlet securely.
- Switch off the power, and unplug the power supply plug from the AC outlet for safety purposes when cleaning or leaving the unit unused for 10 days or more. Doing otherwise may cause a fire or electric shock.

An all-pole mains switch with a contact separation of at least 3 mm in each pole shall be incorporated in the electrical installation of the building.

Due to product upgrades, while some of the features and specification in the user manual does not match the actual functions, sorry for any inconvenience and thanks for your kind understanding!

2. GENERAL DESCRIPTION

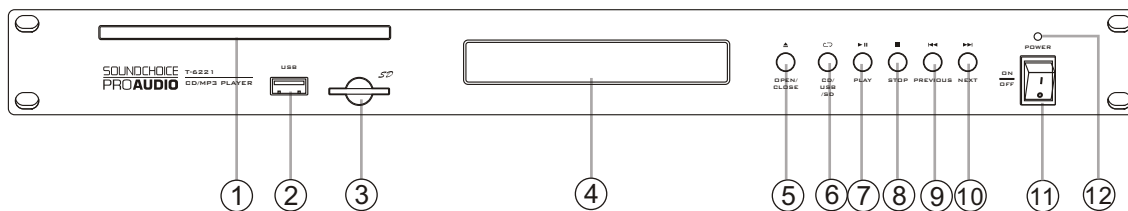
The T-6221 is a public address amplifier switch with can provide an ideal public address solution from small to big places such us mosques, schools, hotels and factories to train stadium and air stations.

3. FEATURES

1. The standard chassis design, 1U aluminum alloy panels, beautiful and practical;
2. Microcomputer control, touch keys;
3. High brightness VFD dynamic fluorescent display, clearly visible;
4. Imported digital movement, system + ESS decoding, super error correction;
5. Automatic playback controls;
6. Can play: CD/VCD/MP3/DVD disc;
- 7.1 Channel audio signal left and right channels (L / R) output.

4. NOMENCLATURE AND FUNCTIONS

4.1 FRONT PANEL



1. GIVE ON

2. USB interface

3. SD booth

4. CD SCREEN

Display the working state of CD

5. OPEN/CLOSE

6. Operating mode selection button

7. PLAY / PAUSE

8. STOP / RETURN

STOP / RETURN band search button (CD)

9. PREVIOUS

Previous band search button (CD)

10.NEXT

Next band search button (CD)

11.POWER SWITCH

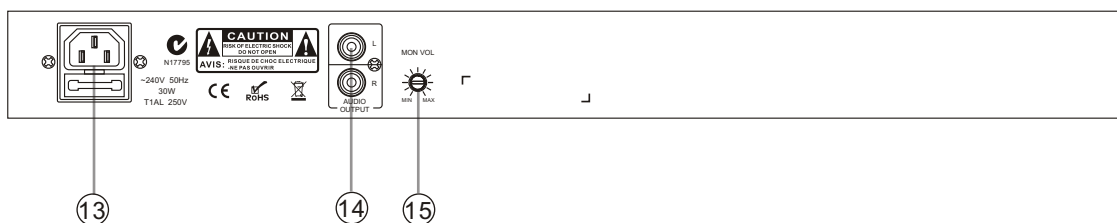
On top of the opening Power

Press the end, power shut down

12.POWER

Power indicator

4.2 REAR PANEL

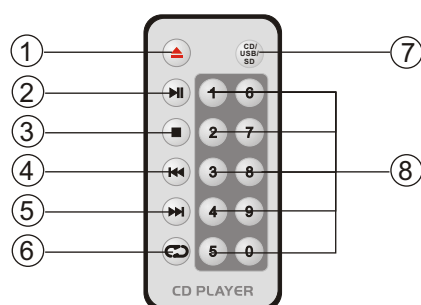


13. ~240V 50Hz AC POWER INPUT

14. AUDIO OUTPUT

15. MONITOR VOLUME

5.REMOTE CONTROLLER



- | | |
|----------------------------------|--|
| 1. In / out positions | 5. Next |
| 2. Play / Pause / confirm button | 6. CD player operating mode selection button |
| 3. Stop / back button | 7. SD/USB/SD audio input mode selection button |
| 4. Last | 8. (0~9) number control |

Notice:

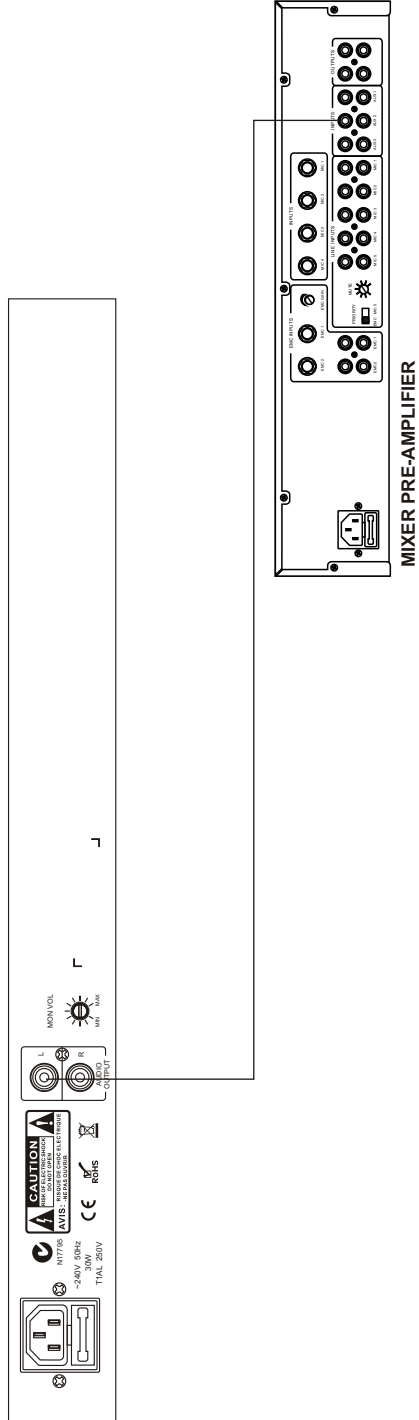
1. Select the track number of more than two digits, only on the remote control keyboard enter the required Numbers in a row;
2. CD playback mode selection button when using operation, when the screen shows to ALL↻ play for circulation mode, When the display shows for↻, Play to single cycle mode, No more than two arbitrary display, no circulation mode, play the last song immediately stop playback, the display shows broadcast ALL return for circulation mode;
3. ↻ Button when using switch in different patterns, the key time of no more than a second, a single click, when key time more than a second time, is continuous press below two swappable play mode.

CD OPERATING

1. Press "power" switch on power supply
2. Button function
3. Dish placements tray up
4. Press key "open/close" tray close start read
5. Play diskette
 - PLAY / PAUSE
 - STOP / RETURN
 - PREVIOUS
 - NEXT
6. CD Diskette Play
 - (1) Placement CD diskette read back enter firstly catalog choice menus and play firstly song use pervious and next key can elect demand song.
 - (2) Play course press key stop, menu backtrack catalog choice menus Using previous and next key choose demand song press key play come into homologous catalog choice menus, a new press key play, carry out like 1 of play function.

7. APPLICATIONS

REAR PANEL CONNECTIONS

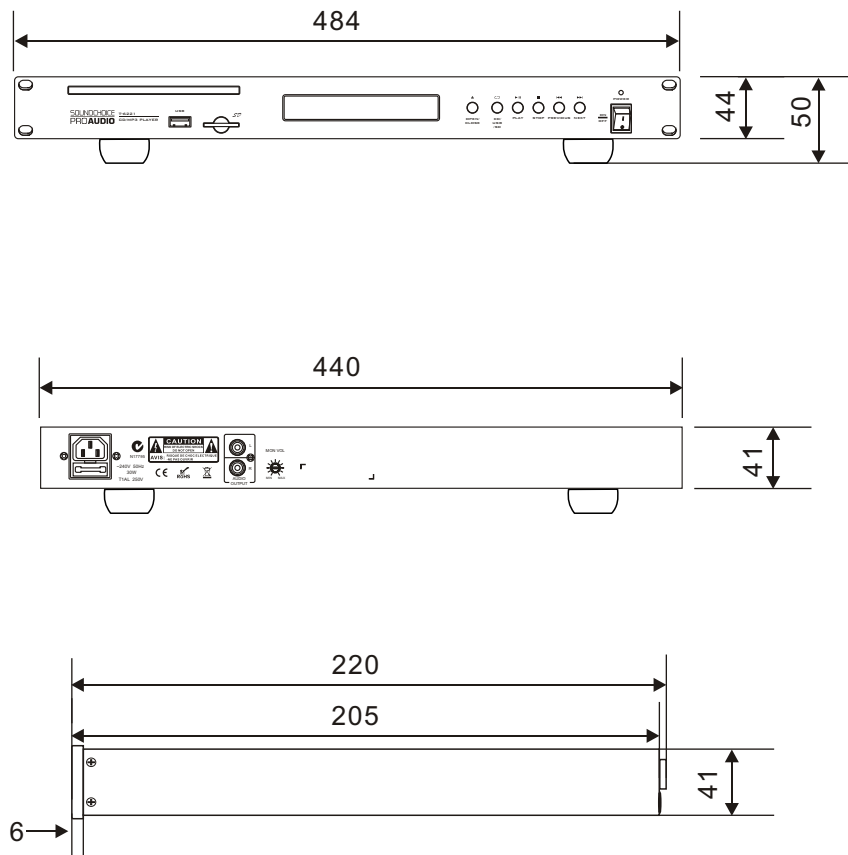


8.SPECIFICATIONS

MODEL	T-6221
FREQUENCY RESPONSE	20Hz~20KHz(-1.5dB)
POWER REQUIREMENTS	~240V 50Hz
POWER CONSUMPTION	30W
DIMENSION(mm)	484X220X44
WEIGHT	3.6Kg

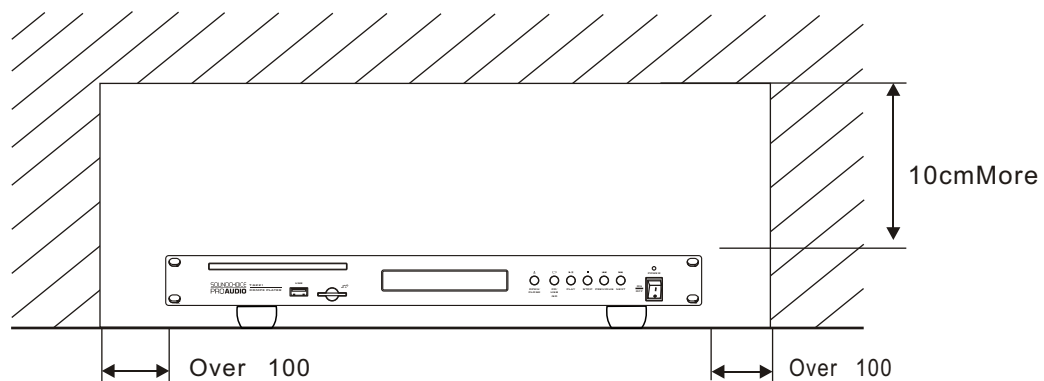
9. DIMENSIONAL DIAGRAM

UNIT :mm



Keep the unit's all sides over 10 cm away from objects that may obstruct air flow to prevent the unit's internal temperature rise.

UNIT :mm



PUBLIC ADDRESS SYSTEM



SOUNDCHOICE

PRO**AUDIO**