



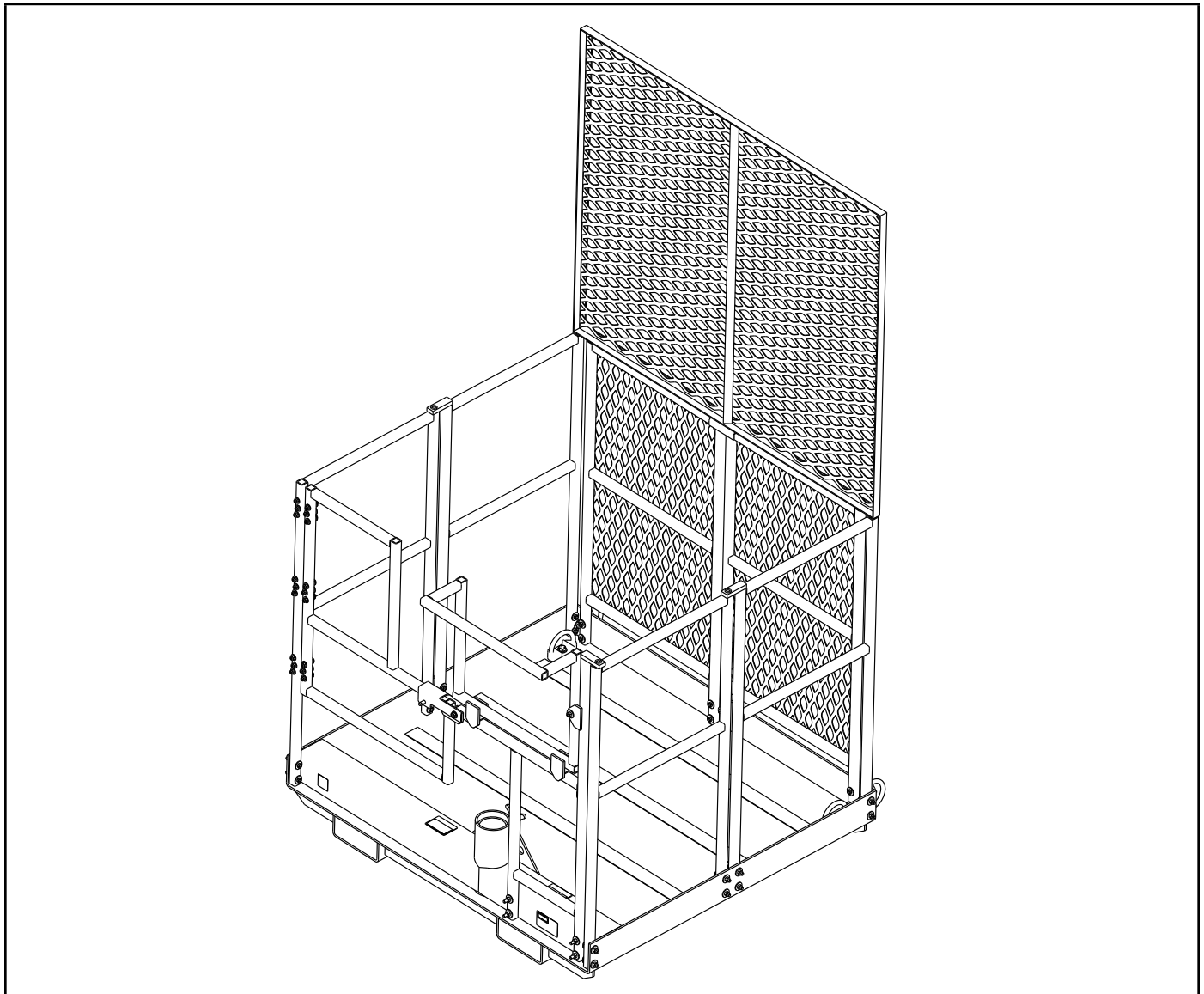
**Advanced Products**  
**Forklift Basket**  
Model Numbers: 8510568, 8521230

**USER INSTRUCTION MANUAL:  
FORKLIFT BASKET**

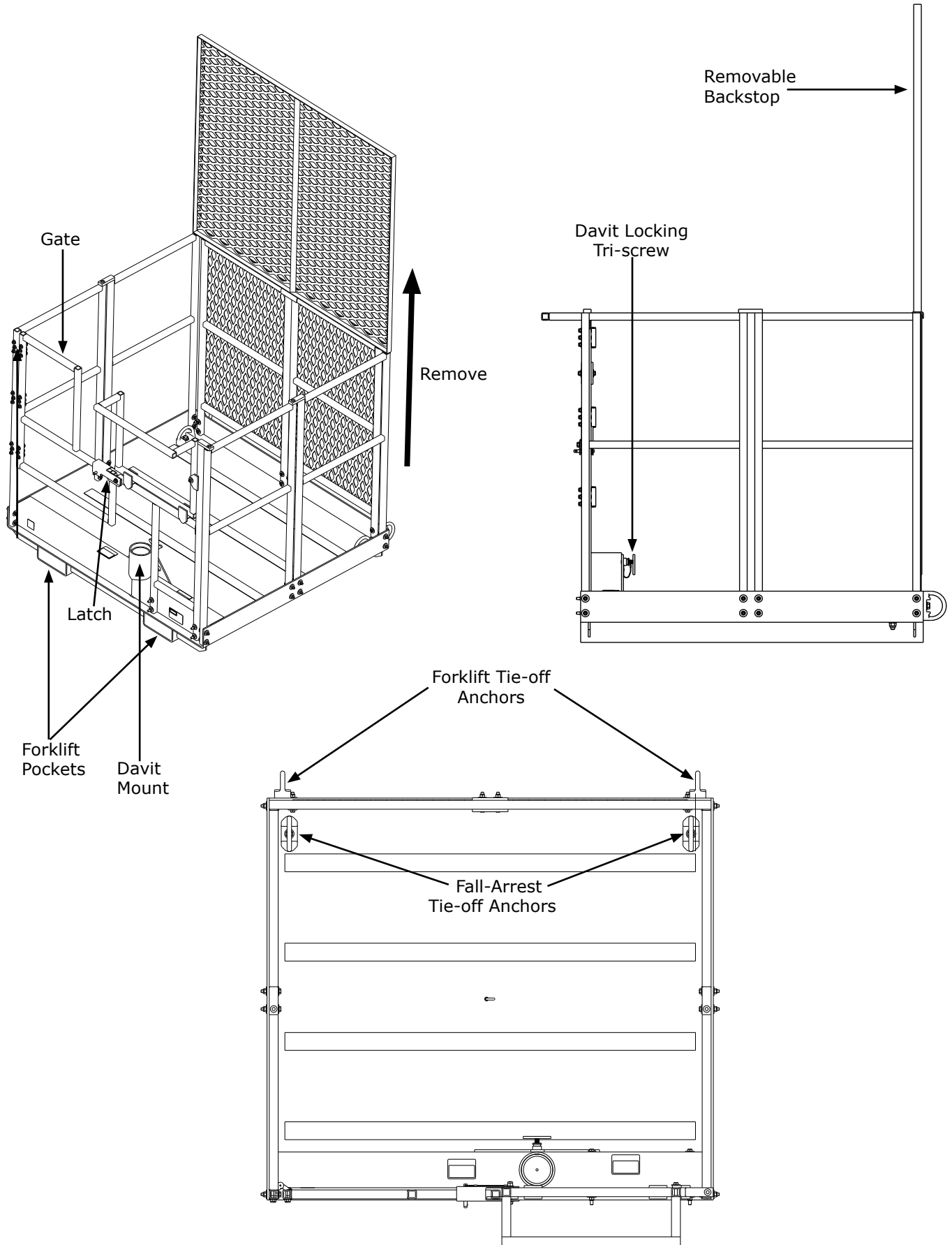
*This manual is intended to meet the Manufacturer's Instructions requirement of applicable standards and should be used as part of an employee training program as required by the identified agencies.*

**WARNING:** *This product is part of a personal fall arresting system. The user must read and follow the manufacturer's instructions for each component or part of the complete system. These instructions must be provided to the user of this equipment. The user must read and understand these instructions or have them explained to them before using this equipment. Manufacturer's instructions must be followed for proper use and maintenance of this product. Alterations or misuse of this product or failure to follow instructions may result in serious injury or death.*

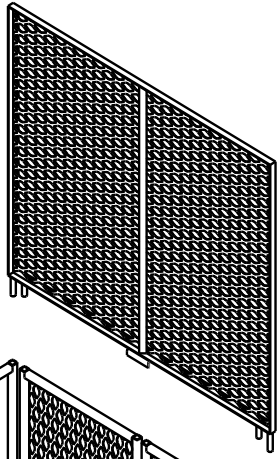
**IMPORTANT:** *If you have questions on the use, care, or suitability of this equipment for your application, contact Capital Safety.*



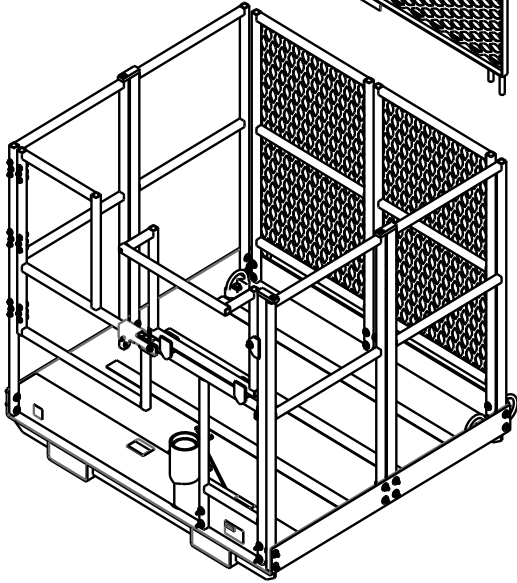
# PARTS AND MODEL IDENTIFICATION



**8510568**

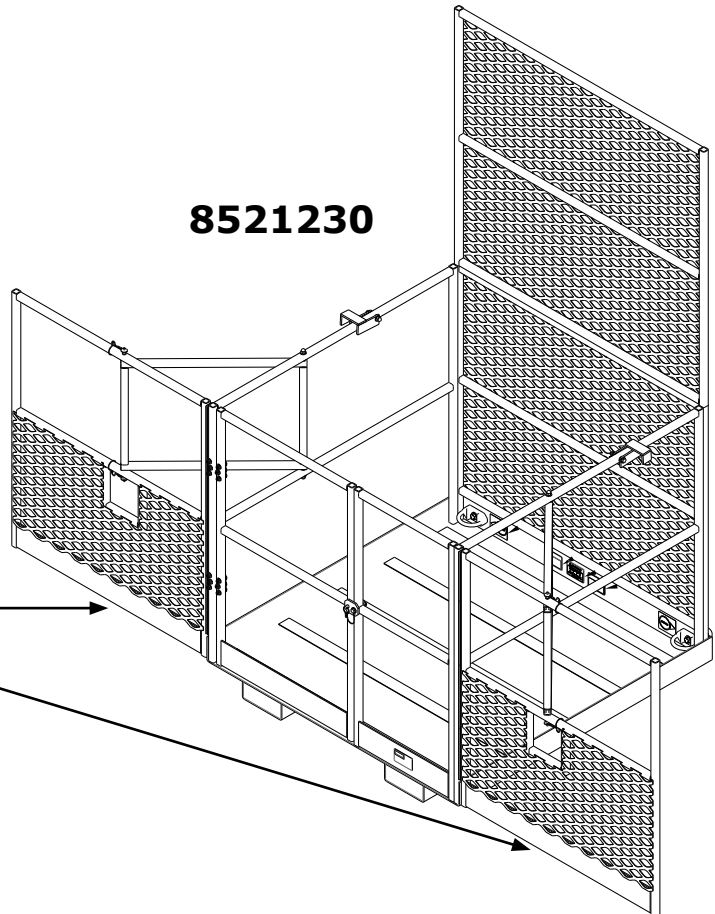


Attach



**8521230**

Retracting Side  
Gates



## SYSTEM DESIGN

- **Heat:** The Forklift Basket is not designed for use in high temperature environments (greater than 130° F, 54° C). Protection of the system must be provided if exposure to welding, metal cutting, or similar activities are expected.
- **Corrosion:** System components may be damaged by exposure to environments where caustic vapors or chemicals are present. Do not install the Forklift Basket where rapid corrosion due to chemical attack could occur. Caution must be used to assure that small parts such as fasteners are not subjected to rapid galvanic corrosion due to contact with similar metals.
- **Electrical Hazards:** Due to the possibility of electrical current flowing through the equipment, use extreme caution when locating the system relative to electrical hazards.
- **Moving Equipment:** Hazards associated with Forklift Basket installations near moving machinery (e.g. conveyors, rotating shafts, rotating gears, etc.) must be addressed either by the Forklift Basket design (such as using restraint equipment to prevent contact with moving equipment) or other controls agreed to by the site management.
- **Sharp Edges and Abrasive Surfaces:** Avoid installing the Forklift Basket where fall protection equipment may contact sharp edges or abrasive surfaces that may damage it. If working around sharp edges is unavoidable, provide protection by securing a heavy pad over the exposed edge or use other administrative controls.

## APPLICATIONS

### Purpose: Personal Protective Equipment Against Falls From Height

The Forklift Basket combines easy access to elevated work areas with fall protection from the ground for the duration of the work performed.

**Limitations:** The following limitations must be considered before using this product. Failure to observe product limitations could result in serious injury or death.

- ASSEMBLY:** The Forklift Basket must be assembled in accordance with the requirements stated in this instruction and any instruction provided by the manufacturer.
- PERSONAL FALL ARREST SYSTEMS:** PFAS used with the Forklift Basket must meet applicable state and federal regulations.
- CAPACITY:** The maximum working load for the product can be for more than one (1) person with a combined weight (e.g. tools, harness, etc.) of 310 lbs per individual. Use of various accessories may reduce the number of workers that may be anchored.
- PHYSICAL AND ENVIRONMENTAL HAZARDS:** Use of this equipment in areas with physical or environmental hazards may require additional precautions to be taken in order to reduce the possibility of damage to this equipment or injury to the user. Hazards may include, but are not limited to: high heat (welding or metal cutting), acid or caustic chemicals, corrosive environments such as exposure to seawater, high voltage power lines, explosive or toxic gases, moving machinery, or sharp edges. Contact Capital Safety if you have questions about the application of this equipment in areas where physical or environmental hazards are present.
- TRAINING:** This equipment must be installed and used by persons who have been properly trained in its correct application and use. Installation and use of this equipment must be supervised by a qualified person, as defined by OSHA fall protection standards.

**STANDARDS:** Refer to national standards, local, state, and OSHA requirements for more information on the application of this and associated equipment.

### APPLICATION RESTRICTIONS:

**IMPORTANT:** Consult system labeling and specifications for user capacities.

- Depending on the equipment, a maximum of up to two (2) person(s) may be tied off to the Forklift Basket at any one time. Review all labels for specific capacities. The combined weight of various Personal Fall Arrest Systems (PFAS), work tools, and accessories may restrict the use of the Forklift Basket to a single individual. Consult product specification sheets for all components of any system, and be aware of any restrictions before using the equipment.
- Retractable devices and shock absorbers must have a maximum arrest force (M.A.F.) rating of 900 lbs. (4 kN) or less, and must be installed and used in accordance with the manufacturer's instructions.

## SYSTEM REQUIREMENTS

**COMPATIBILITY OF COMPONENTS:** Capital Safety equipment is designed for use with Capital Safety approved components and subsystems only. Substitutions or replacements made with non-approved components or subsystems may jeopardize compatibility of equipment and may affect the safety and reliability of the complete system.

**COMPATIBILITY OF CONNECTORS:** Connectors are considered to be compatible with connecting elements when they have been designed to work together in such a way that their size and shapes do not cause their gate mechanisms to inadvertently open regardless of how they become oriented. Contact Capital Safety if you have any questions about compatibility. Connectors (hooks, carabiners, and D-rings) must be capable of supporting at least 5,000 lbs (22 kN). Connectors must be compatible with the anchorage or other system components.

Do not use equipment that is not compatible. Non-compatible connectors may unintentionally disengage (see Figure 4). Connectors must be compatible in size, shape, and strength. Self-locking snap hooks and carabiners are required by OSHA and ANSI Z359.1.

**CONNECTIONS:** Only use self-locking snap hooks and carabiners with this equipment. Only use connectors that are suitable to each application. Ensure all connections are compatible in size, shape, and strength. Do not use equipment that is not compatible. Ensure all connectors are fully closed and locked.

Capital Safety connectors (snap hooks and carabiners) are designed to be used only as specified in each product's user instructions. See Figure 5 for inappropriate connections. Capital Safety snap hooks and carabiners should not be connected to:

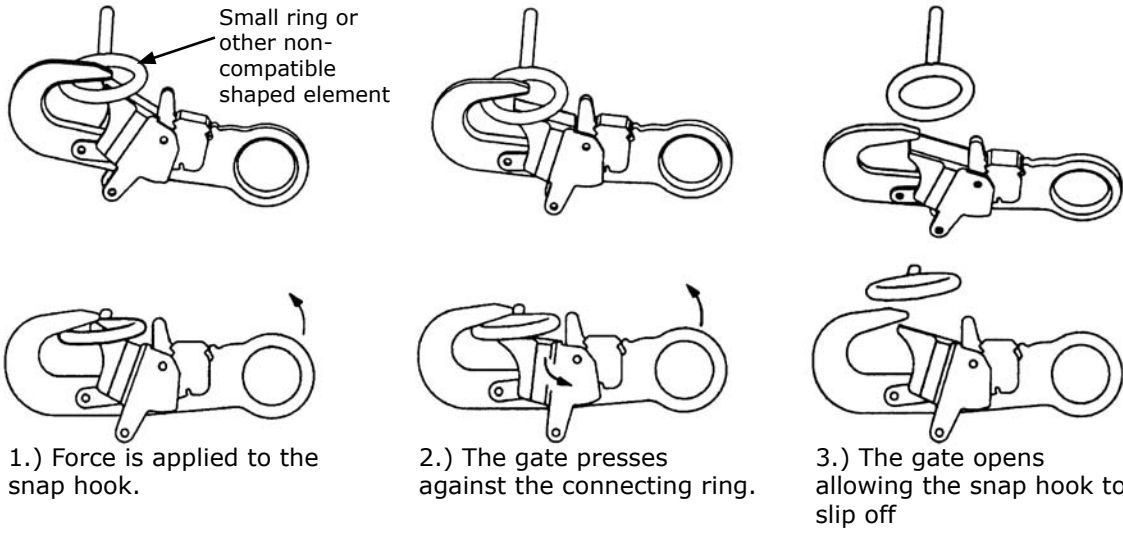
- A. To a D-ring which another connector is attached
- B. In a manner that would result in a load on the gate

**NOTE:** Large throat snap hooks should not be connected to standard size D-rings or similar objects which will result in a load on the gate if the hook or D-ring twists or rotates. Large throat snap hooks are designed for use on fixed structural elements such as rebar or cross members that are not shaped in a way that can capture the gate of the hook.

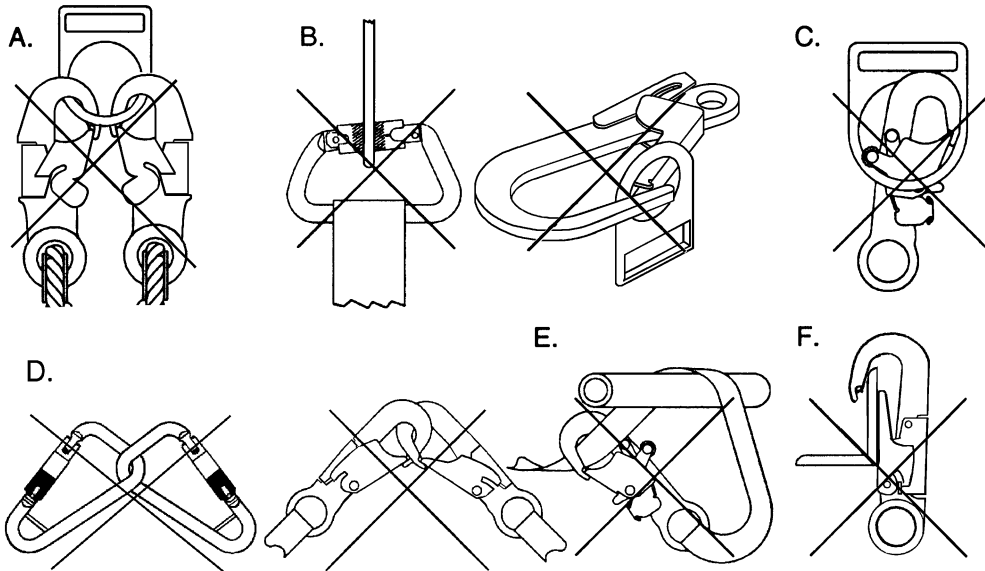
- C. In a false engagement, where features that protrude from the snap hook or carabiner catch on the anchor, and without visual confirmation seems to be fully engaged to the anchor point.
- D. To each other.
- E. Directly to webbing or rope lanyard or tieback (unless the manufacturer's instructions for both the lanyard and connector specifically allows such a connection).
- F. To any object which is shaped or dimensioned such that the snap hook or carabiner will not close and lock, or that roll-out could occur.

**Figure 1 - Unintentional Disengagement (Rollout)**

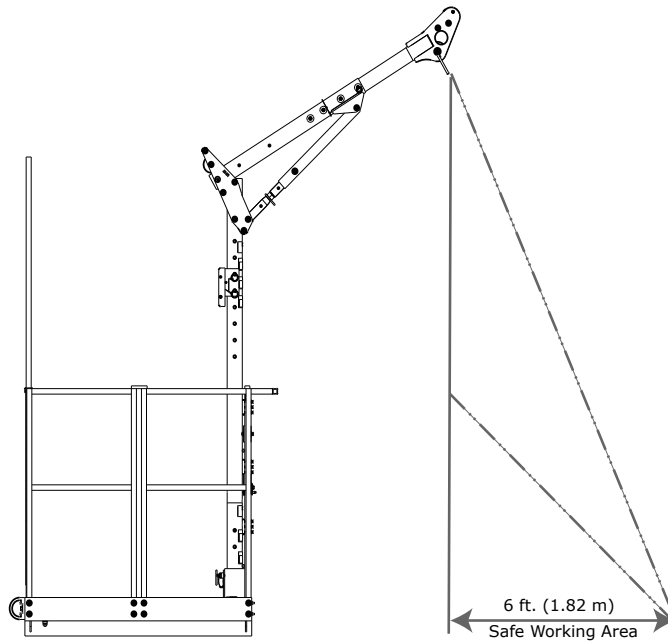
If the connecting element to which a snap hook (shown) or carabiner attaches is undersized or irregular in shape, a situation could occur where the connecting element applies a force to the gate of the snap hook or carabiner. This force may cause the gate (of either a self-locking or a non-locking snap hook) to open, allowing the snap hook or carabiner to disengage from the connecting point.



**Figure 2 - Inappropriate Connections**



## SAFE WORKING AREA



**IMPORTANT:** Do not exceed the safe working area. Exceeding the safe working area could cause serious injury or death.

## OPERATION AND USE

**WARNING:** Do not alter or intentionally misuse this equipment.

**WARNING:** Consult Capital Safety when using this equipment in combination with components or subsystems other than those described in this manual. Some subsystem and component combinations may interfere with the operation of this equipment. Use caution when using this equipment around moving machinery, electrical hazards, chemical hazards, and sharp edges.

**WARNING:** Working at height has inherent risks. Some risks are noted here but are not limited to the following: falling, suspension/prolonged suspension, striking objects, and unconsciousness. In the event of a fall arrest and/or subsequent rescue (emergency) situation, some personal medical conditions may affect your safety. Medical conditions identified as risky for this type of activity include but are not limited to the following: heart disease, high blood pressure, vertigo, epilepsy, drug or alcohol dependence, psychiatric illness, impaired limb function, and balance issues. Capital Safety recommends that your employer/physician determine if you are fit to handle normal and emergency use of this equipment.

**BEFORE EACH USE:** Inspect this equipment carefully to ensure it is in good working condition. Check for worn or damaged parts. Ensure all parts are present and secure. Check the entire system for damage and corrosion. Do not use if inspection reveals an unsafe condition.

**PLANNING:** Plan your system and how it will function before starting your work. Consider all factors that affect your safety during use. Some important points to consider when planning your system are:

- A. HAZARD EVALUATION:** Evaluate job site hazards prior to starting work. Consult applicable OSHA (or CE) and industry standards for guidelines and regulatory requirements on equipment such as personal fall arrest systems (PFAS).
- B. WORK SITE GEOMETRY:** The use of the Forklift Basket and attached PFAS must be consistent with the geometric requirements stated in the manufacturer's instruction manual(s). Check for obstructions or sharp edges in the work path. Avoid working where the user may swing and hit an object, or where lines may cross or tangle with that of another worker.
- C. FALL CLEARANCE:** There must be sufficient clearance in your fall path to prevent striking an object or lower level in the event of a fall. A minimum of 6 ft. (1.8 m) from the working level to the lower level or nearest obstruction is recommended but may vary with your application and attached PFAS. See the PFAS manufacturers' instructions.

- D. SWING FALLS:** Swing Falls occur when the anchorage point is not directly overhead. The force of striking an object in a Swing Fall may cause serious injury or death. Minimize Swing Falls by maintaining a work position as directly below the anchorage point as possible. In planning your system, increased clearance is required with Self-Retracting Lifelines or other variable length subsystems to negate the possibility of Swing Falls.
- E. SHARP EDGES:** Avoid working where components of the Pole Anchor System and attached subsystem(s) will contact with or abrade against unprotected sharp edges.
- F. RESCUE:** When using this equipment, the employer must have a rescue plan and the means at hand to implement it and communicate that plan to users, authorized persons, and rescuers.
- G. AFTER A FALL:** Any equipment which has been subjected to the forces of arresting a fall or exhibits damage consistent with the effect of fall arrest forces as described, must be removed from service immediately and destroyed by the user, the rescuer, or an authorized person.

**REQUIREMENTS FOR PERSONAL FALL ARREST SYSTEMS (PFAS):** PFAS used with the Forklift Basket must meet applicable OSHA requirements.

The PFAS should be rigged to minimize any potential free fall and never allow a free fall greater than six (6) ft. (1.8 m). The PFAS used with this equipment are required to include a full body harness as the body support component. PFAS that incorporate full body harnesses must maintain fall arrest forces below 1,800 lbs. (8.0 kN) and arrest the fall within 42 in. (1.1 m). Body belts, unless incorporated into a full body harness, are not allowed for use with this equipment. A typical PFAS includes a full body harness, connecting subsystem or component (self retracting lifeline or shock absorbing lanyard), and the necessary connectors to couple the system together.

**WARNING:** Read and follow the manufacturer's instructions for the personal fall arrest equipment selected for use with the Forklift Basket.

**IMPORTANT:** Body belts are not allowed for free fall situations. Body belts increase the risk of injury during fall arrest in comparison to a full body harness. Limited suspension time and the potential for improperly wearing a body belt may result in added danger to the user's health.

**IMPORTANT:** A maximum of two (2) persons may be attached to the Forklift Basket; each using a separate SRL. No more than one (1) person should be attached to a single anchor point at any time.

**NOTE:** The SRL line must not drag or bend over a leading edge while accessing the work area. To eliminate that problem reposition the unit. Follow the SRL manufacturer's instructions carefully

## **TRAINING**

It is the responsibility of the user to assure they are familiar with these instructions, and are trained in the correct care and use of this equipment. User must also be aware of the operating characteristics, application limits, and the consequences of improper use of this equipment.

**IMPORTANT:** Training must be conducted without exposing the trainee to a fall hazard. Training should be repeated on a periodic basis.

It is the responsibility of all users of this equipment to understand these instructions, and are trained in the correct installation, use, and maintenance of this equipment. These individuals must be aware of the consequences of improper installation or use of this equipment. This user manual is not a substitute for a comprehensive training program. Training must be provided on a periodic basis to ensure proficiency of the users.



## **INSPECTION**

**IMPORTANT:** After the Forklift Basket has been fully installed, perform a complete inspection. Make sure all supplied labels are present and legible. Inspect for loose bolts, cracks, corrosion, or any other type of abnormality. Check all nuts and bolts for proper torque and orientation.

**FREQUENCY:** Before each use, visually inspect per steps listed in this instruction.

**IMPORTANT:** If this equipment has been subjected to forces resulting from the arrest of a fall, it must be immediately removed from service and destroyed or returned to Capital Safety for possible repair.

### **INSPECTION STEPS:**

- Step 1.** Inspect the Basket for physical damage. Look carefully for any signs of cracks, dents, or deformities in the metal. Make certain the components are not deformed in any way and that they move correctly.
- Step 2.** Inspect the Basket for signs of excessive corrosion.
- Step 3.** Ensure the condition of the mounting surface will support system loads.
- Step 4.** Inspect each system component or subsystem (e.g. self-retracting lifeline, full body harness, etc.) per associated manufacturer's instructions.
- Step 5.** Record the inspection date and results on the inspection log.

**IMPORTANT:** Only Capital Safety or parties authorized in writing may make repairs to this equipment.

## **FORKLIFT BASKET OPERATION**

**WARNING:** The users cannot be lifted or transported in the Forklift Basket until the Basket is properly attached to the forklift's backstop and the users are properly tied-off to the Basket. Failure to use the Basket without it or the users being properly secured could result in serious injury or death to the user.

**IMPORTANT:** If the Forklift Basket requires a davit to be installed, it is recommended to install the davit while the Forklift Basket is on the ground.

- Step 1.** Verify the forklift forks are properly aligned through the Forklift Pockets.
- Step 2.** Secure the tie-off chain from one Forklift Tie-off Anchor to the other Forklift Tie-off Anchor by wrapping the chain around the forklift's backstop.
- Step 3.** Open the gate and enter the Basket.
- Step 4.** Close the gate and verify it is securely shut.
- Step 5.** Tie-off to one (1) Fall-Arrest Tie-off Anchor (each user must tie-off to only one (1) anchor).
- Step 6.** After the user(s) are properly tied-off, the forklift operator may move the Forklift Basket into position.

## TERMINOLOGY

Authorized Person	A person assigned by the employer to perform duties at a location where the person will be exposed to a fall hazard (otherwise referred to as "user" for the purpose of these instructions).
Rescuer	Person or persons other than the rescue subject acting to perform an assisted rescue by operation of a rescue system.
Certified Anchorage	An anchorage for fall arrest, positioning, restraint, or rescue systems that a qualified person certifies to be capable of supporting the potential fall forces that could be encountered during a fall or that meet the criteria for a certified anchorage prescribed in this standard.
Qualified Person	A person with a recognized degree or professional certificate and with extensive knowledge, training, and experience in the fall protection and rescue field who is capable of designing, analyzing, evaluating, and specifying fall protection and rescue systems to the extent required by this standard.
Competent Person	One who is capable of identifying existing and predictable hazards in the surroundings or working conditions which are unsanitary, hazardous, or dangerous to employees, and who has authorization to take prompt corrective measures to eliminate them.

## MAINTENANCE, STORAGE, AND TRANSPORT

**MAINTENANCE:** Clean the Forklift Basket with water and a mild soap solution. Wipe off hardware with a clean, dry cloth, and hang to air dry. Do not force dry with heat. An excessive buildup of dirt, paint, etc. may prevent components of the Forklift Basket from working properly, and in severe cases degrade components to a point where they have weakened and should be removed from service. If you have any questions concerning the condition of any component of the Forklift Basket, or have any doubt about putting it into service, contact Capital Safety.

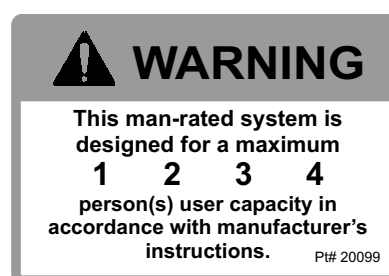
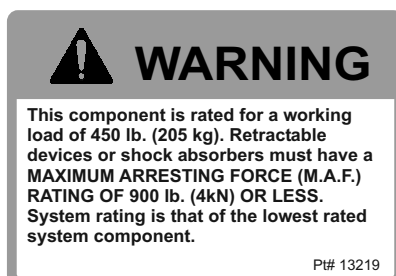
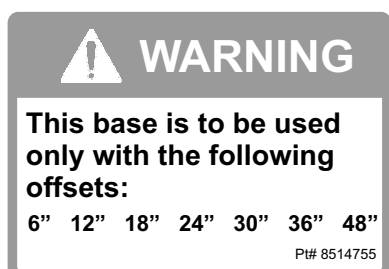
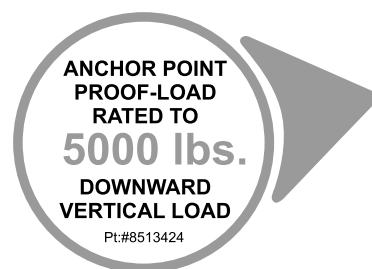
**STORAGE:** When not in use, store the Forklift Basket in a cool, dry, clean environment; out of direct sunlight. Avoid areas where chemical vapors exist. After extended storage, thoroughly inspect all components per the guidelines in this instruction.

## SPECIFICATIONS

**STANDARDS:** When installed and used per the requirements and recommendations in this manual, the Forklift Basket meets standards and requirements defined in this instruction.

## LABELS

The following labels must be visible and legible on the equipment:



## ***Inspection Log***

<b>SERIAL NUMBER:</b>			
<b>MODEL NUMBER:</b>			
<b>DATE PURCHASED:</b>			<b>DATE OF FIRST USE:</b>

<b>INSPECTION DATE</b>	<b>INSPECTION ITEMS NOTED</b>	<b>CORRECTIVE ACTION</b>	<b>MAINTENANCE PERFORMED</b>
Approved By:			
Approved By:			
Approved By:			
Approved By:			
Approved By:			
Approved By:			
Approved By:			
Approved By:			
Approved By:			
Approved By:			
Approved By:			
Approved By:			
Approved By:			
Approved By:			
Approved By:			
Approved By:			
Approved By:			

## LIMITED LIFETIME WARRANTY

**Warranty to End User:** D B Industries, Inc., dba CAPITAL SAFETY USA ("CAPITAL SAFETY") warrants to the original end user ("End User") that its products are free from defects in materials and workmanship under normal use and service. This warranty extends for the lifetime of the product from the date the product is purchased by the End User, in new and unused condition, from a CAPITAL SAFETY authorized distributor. CAPITAL SAFETY'S entire liability to End User and End User's exclusive remedy under this warranty is limited to the repair or replacement in kind of any defective product within its lifetime (as CAPITAL SAFETY in its sole discretion determines and deems appropriate). No oral or written information or advice given by CAPITAL SAFETY, its distributors, directors, officers, agents or employees shall create any different or additional warranties or in any way increase the scope of this warranty. CAPITAL SAFETY will not accept liability for defects that are the result of product abuse, misuse, alteration or modification, or for defects that are due to a failure to install, maintain, or use the product in accordance with the manufacturer's instructions.

CAPITAL SAFETY'S WARRANTY APPLIES ONLY TO THE END USER. THIS WARRANTY IS THE ONLY WARRANTY APPLICABLE TO OUR PRODUCTS AND IS IN LIEU OF ALL OTHER WARRANTIES AND LIABILITIES, EXPRESSED OR IMPLIED. CAPITAL SAFETY EXPRESSLY EXCLUDES AND DISCLAIMS ANY IMPLIED WARRANTIES OF MERCHANTABILITY OR FITNESS FOR A PARTICULAR PURPOSE, AND SHALL NOT BE LIABLE FOR INCIDENTAL, PUNITIVE OR CONSEQUENTIAL DAMAGES OF ANY NATURE, INCLUDING WITHOUT LIMITATION, LOST PROFITS, REVENUES, OR PRODUCTIVITY, OR FOR BODILY INJURY OR DEATH OR LOSS OR DAMAGE TO PROPERTY, UNDER ANY THEORY OF LIABILITY, INCLUDING WITHOUT LIMITATION, CONTRACT, WARRANTY, STRICT LIABILITY, TORT (INCLUDING NEGLIGENCE) OR OTHER LEGAL OR EQUITABLE THEORY.



A Capital Safety Company

### **CSG USA & Latin America**

3833 SALA Way  
Red Wing, MN 55066-5005  
Toll Free: 800.328.6146  
Phone: 651.388.8282  
Fax: 651.388.5065  
solutions@capitalsafety.com

### **CSG Canada**

260 Export Boulevard  
Mississauga, ON L5S 1Y9  
Phone: 905.795.9333  
Toll-Free: 800.387.7484  
Fax: 888.387.7484  
info.ca@capitalsafety.com

### **CSG Northern Europe**

Unit 7 Christleton Court  
Manor Park  
Runcorn  
Cheshire, WA7 1ST  
Phone: + 44 (0)1928 571324  
Fax: + 44 (0)1928 571325  
csgne@capitalsafety.com

### **CSG EMEA (Europe, Middle East, Africa)**

Le Broc Center  
Z.I. 1ère Avenue  
5600 M B.P. 15 06511  
Carros  
Le Broc Cedex  
France  
Phone: + 33 4 97 10 00 10  
Fax: + 33 4 93 08 79 70  
information@capitalsafety.com

### **CSG Australia & New Zealand**

95 Derby Street  
Silverwater  
Sydney NSW 2128  
AUSTRALIA  
Phone: +(61) 2 8753 7600  
Toll-Free : 1 800 245 002 (AUS)  
Toll-Free : 0800 212 505 (NZ)  
Fax: +(61) 2 87853 7603  
sales@capitalsafety.com.au

### **CSG Asia**

*Singapore:*  
16S, Enterprise Road  
Singapore 627666  
Phone: +65 - 65587758  
Fax: +65 - 65587058  
inquiry@capitalsafety.com

### *Shanghai:*

Rm 1406, China Venturetech Plaza  
819 Nan Jing Xi Rd,  
Shanghai 200041, P R China  
Phone: +86 21 62539050  
Fax: +86 21 62539060

[www.capitalsafety.com](http://www.capitalsafety.com)



Certificate No. FM 39709