

# N3 INVERTER SERIES

## Operating Manual



230V 1Ø 0.5 - 3HP  
(0.4 - 2.2KW)

230V 3Ø 0.5 - 40HP  
(0.4 - 30KW)

460V 3Ø 1 - 75HP  
(0.75 - 55KW)

Version: 2.00.03

## Table of Contents

|  |         |
|--|---------|
| <b>1.0 Introduction</b> .....  | 1       |
| <b>2.0 Product Inspection</b> .....  | 2       |
| 2.1 Nameplate Layout .....   | 2       |
| <b>3.0 Operating Precautions</b> .....   | 3       |
| 3.1 Before Power up .....  | 3       |
| 3.2 During Power up .....  | 4       |
| 3.3 Before Operation .....   | 4       |
| 3.4 During Operation .....   | 5       |
| <b>4.0 Environment and Installation</b> .....  | 6       |
| 4.1 Inverter Mounting .....  | 6       |
| Fig.4.1.1 Panel and Enclosure Placement .....  | 6       |
| Fig 4.1.2 Din Rail Mounting Clearances .....   | 7       |
| <b>5.0 General Wiring Diagram (1 - 2 HP and 3 – 75 HP prior to Version 1.2)</b> .....    | 8       |
| <b>6.0 General Wiring Diagram (3 - 75 HP, Version 1.2 or later)</b> .....                | 9       |
| <b>7.0 Power Terminals Designations and Ratings (Terminal Block TM1)</b> .....           | 10      |
| 7.1 Power Terminal Configuration TM1 .....   | 10      |
| 7.2 Power Terminal Block TM1 Electrical Ratings and Tightening Torques .....             | 11      |
| <b>8.0 Inverter Wiring</b> .....   | 11      |
| 8.1 Input / Output Power Wiring Connections (Terminal TM1) .....                         | 11      |
| 8.2 Input / Output Power Wiring Noise Suppression .....                                  | 11      |
| Fig. 8.2 Input / Output Power Wiring Noise Suppression .....                             | 11      |
| 8.3 Motor Cable Length .....   | 12      |
| 8.4 Cable Length vs Carrier Frequency .....  | 12      |
| 8.5 Inverter Grounding .....   | 12      |
| 8.6 Input Power Wiring and Installation Recommendations with Examples .....              | 13      |
| Fig. 8.6 Input Power Wiring and Installation Examples .....                              | 13      |
| <b>9.0 Input / Output Power Section Block Diagram</b> .....                              | 14      |
| Fig. 9.0 Power Input / Output Block Diagrams .....                                       | 14      |
| <b>10.0 Control Terminals (Terminal Block TM2)</b> .....                                 | 15      |
| 10.1 Control Terminal Designations (Terminal Block TM2) .....                            | 15      |
| 10.2 Control Terminal Layout and Control Switches .....                                  | 16      |
| Fig. 10.2.1 Control Terminal TM2 Layout (Prior to Version 1.3) .....                     | 16      |
| Fig. 10.2.2 Control Terminal TM2 Layout (Version 1.3 or later) .....                     | 16      |
| 10.3 Control Terminal Wiring and Connections (Terminal TM2) .....                        | 16      |
| <b>11.0 Peripheral Power Devices</b> .....   | 17      |
| <b>12.0 Input Fuse Types and Ratings</b> .....   | 18 - 19 |
| <b>13.0 Applicable specifications for circuit breakers and magnetic contactors</b> ..... | 19      |
| <b>14.0 Reactor Input / Output Specifications</b> .....                                  | 20      |
| <b>15.0 Braking Unit and Braking Resistor Selections</b> .....                           | 21      |
| <b>16.0 EMC Filters</b> .....  | 22      |
| <b>17.0 Keypad Key Functions and Navigation</b> .....                                    | 23      |
| 17.1 N3 Keypad .....   | 23      |
| 17.2 Keypad LED Functions .....  | 23      |
| 17.3 Key Functions .....   | 24      |
| 17.4 Keypad Navigation .....   | 25      |
| 17.4.1 Basic Keypad Control .....  | 25      |
| 17.4.2 Local / Remote Function .....   | 25      |
| 17.4.3 Setting Parameters <b>b</b> (Basic) and <b>A</b> (Advanced) .....                 | 26      |
| <b>18.0 Control Mode Selection</b> .....   | 27      |

*Cont.*

|  |         |
|--|---------|
| <b>19.0 b (Basic) and A (Advanced) parameters defined</b> .....                | 28      |
| 19.1 b (Basic) Parameter Summary .....   | 28 - 29 |
| 19.2 b (Basic) Parameter Details .....   | 30 - 33 |
| 19.3 A (Advanced) Parameter Summary .....                                      | 34 - 45 |
| 19.4 A (Advanced) Parameter Details .....                                      | 46 - 80 |
| <b>20.0 Option Modules and Cables</b> .....                                    | 81      |
| Fig. 20.1 Remote Keypad .....  | 81      |
| Fig. 20.2 Remote Keypad Mounting Dimensions .....                              | 82      |
| Fig. 20.3 RS485 Interface P/N SIF-485 .....                                    | 82      |
| Fig. 20.4 RS232 Interface P/N SIF-232 .....                                    | 83      |
| Fig. 20.5 Copy Module P/N SIF-MP .....   | 83      |
| <b>21.0 Error Display Codes</b> .....  | 84      |
| 21.1 Unresettable / Unrecoverable Errors .....                                 | 84      |
| 21.2 Automatically and Manually Recoverable Errors .....                       | 84 - 85 |
| 21.3 Manually Recoverable Errors Only (no auto-restart) .....                  | 86      |
| 21.4 Set –up Configuration and Interface Errors .....                          | 86 - 87 |
| 21.5 Keypad Errors .....   | 87 - 88 |
| <b>22.0 Troubleshooting</b> .....  | 88      |
| 22.1 General troubleshooting .....   | 89      |
| Flow Charts: .....   | 90 - 96 |
| Fig. 22.1 Fault display troubleshooting .....                                  | 90 - 91 |
| Fig. 22.2 OC and OL fault troubleshooting .....                                | 92      |
| Fig. 22.3 OV and LV fault troubleshooting .....                                | 93      |
| Fig. 22.4 Motor will not run .....   | 94      |
| Fig. 22.5 Motor overheating .....  | 95      |
| Fig. 22.6 Instability .....  | 95      |
| <b>23.0 Routine periodic inspection</b> .....                                  | 96      |
| <br>   |         |
| <b>Appendix A – Specifications</b> .....                                       | A1      |
| AA.1 General Specifications .....  | A1 – A2 |
| AA.2 Product (Model) Specifications .....                                      | A3 – A4 |
| <b>Appendix B - Motor Internal Data List</b> .....                             | B1      |
| <b>Appendix C - N3 Envelope Dimensions and Weight Table vs Model No.</b> ..... | C1      |
| <b>Appendix D –N3 Cover Removal Procedure for Various Frame Sizes</b> .....    | D1 – D2 |
| AD.1 Frame sizes 1 & 2 .....   | D1      |
| AD.2 Frame size 3 .....  | D1      |
| AD.3 Frame size 4 .....  | D2      |
| AD.4 Frames sizes 5 & 6 .....  | D2      |
| <b>Appendix E- EMC Filter Dimensions</b> .....                                 | E1 – E3 |
| AE.1 FS Type .....   | E1      |
| AE.2 KMF Type .....  | E2      |
| AE.3 JUN Type .....  | E3      |
| <b>Appendix F- Inverter Parameter Setting List</b> .....                       | F1      |
| <b>Appendix G- Version 1.2 Changes</b> .....                                   | G1 – G2 |
| <br>   |         |
| <b>Warranty</b> .....  |         |

## 1.0 Introduction

The **N3 Inverter** series is state of the art design using the latest control and power technologies. It is designed to operate and control 3Ø induction motors in the hp range of *0.5 to 75 hp* and voltage class of *230 or 460VAC*. The inverter can operate in the *open loop vector, variable torque, or V/F mode*; settable via programming. There are two sets of parameters: **b** Basic, and **A** Advanced, allowing for flexible control in many different applications. The membrane keypad in combination with a 3 digit 7 segment display allows for ease of programming and monitoring.

An optional communications module can be used for control and parameter setting using the MODBUS RTU protocol. The **N3** has been designed with easy access to the input power, output motor, and control terminals.

*Before proceeding with the set-up and installation please take time to review this manual to ensure proper operation and above all else, **personnel safety**.* Should there be any problem in using the product that cannot be resolved with the information provided in the manual, please contact your nearest TECO - Westinghouse (TWMC) distributor or sales representative for assistance.

### SAFETY FIRST!

The inverter is an electrical product. For your safety, there are symbols “Danger” and “Caution” in this manual as a reminder to pay attention to safety instructions on handling, installing, operating, and troubleshooting the inverter. Be sure to follow the instructions for maximum safety.



**DANGER** - Indicates a potential hazard that could cause death or serious personal injury.



**CAUTION** - Indicates that the inverter or the mechanical system might be damaged.



#### DANGER

- **Do not** touch any circuit boards or components while the *charge indicator* is still on after power is turned off. Wait until the *charge indicator* lamp is completely **extinguished**. **NOTE:** *The charge indicator lamp is located under the digital operator*
- **Do not** connect or disconnect any wiring while power is present.
- **Do not** test parts and signals on the circuit boards during the inverter operation.
- **Do not** disassemble the inverter and modify any internal wires, circuits, or parts.
- Ensure that the ground terminal of the inverter is bonded properly to earth ground. For 200V class, ground to <100 Ω. For 400v class, ground to <10Ω.



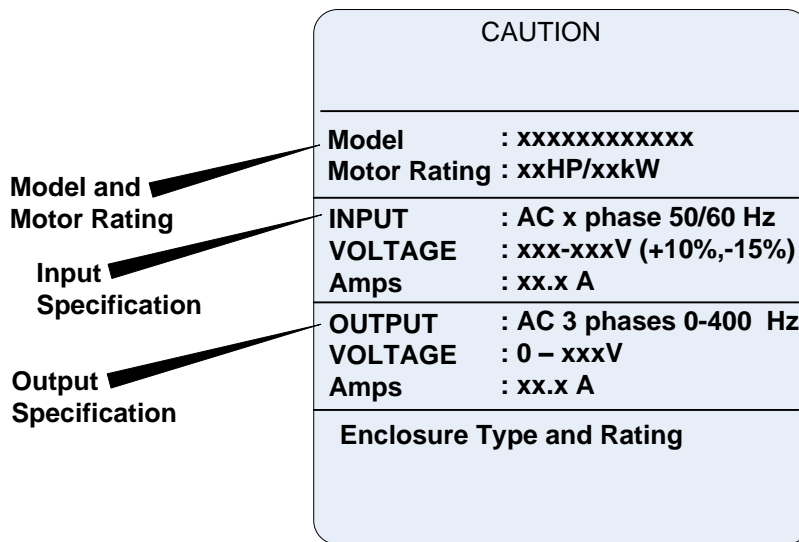
#### CAUTION

- **Do not** perform high voltage dielectric tests on any inverter parts, as damage to these parts may result.
- **Do not** connect the AC input power supply to the motor terminals T1 (U), T2 (V), and T3 (W) of the inverter.
- **Do not** touch any circuit board without proper precautions as the CMOS ICs on the inverter's control board can be damaged due to static electricity.

## 2.0 Product Inspection

TWMC's inverters have all passed a functional factory test before delivery. Please check the following when you receive and unpack the inverter:

- Check for any damages that may have occurred during transportation or handling. If there is damage, **do not apply power**, and contact a TWMC sales representative.
- Check that the model and capacity of the inverter are the same as those specified in your purchase order. The following describes the nameplate information.



### 2.1 Nameplate Layout

NOTES:

## 3.0 Operating Precautions

### 3.1 Before Power Up



#### CAUTION

The input voltage must comply with the inverter's specified input voltage. (See product nameplate)



#### DANGER

Make sure the applied voltage input connections are correct, L1 (L), L2, and L3 (N) are **power-input** terminals and must not be connected to T1, T2, and T3. Otherwise, inverter damage can result.



#### CAUTION

- To avoid the front cover from disengaging or other physical damage, do not carry the inverter by its cover. Support the unit by its heat sink when transporting. Improper handling can damage the inverter or injure personnel, and should be avoided.
- To avoid the risk of fire, do not install the inverter on or near flammable objects. Install on nonflammable objects such as metal surfaces.
- If several inverters are placed in the same control panel, provide adequate ventilation to keep the temperature below 40°C (104°F) to avoid overheating or fire.
- When removing or installing the digital operator, turn off the power first, and then follow the instructions in this manual to avoid operator error or loss of display caused by faulty connections.

#### Warning

This product is sold subject to IEC 61800-3. In a domestic environment this product may cause radio interference in which case the user may be required to apply corrective measures.



#### CAUTION

To ensure the safety of peripheral devices, it is strongly recommended to install a fast acting fuse on the power input side of the inverter. The specifications for fast acting fuses are covered in Section 12.0.

### 3.2 During Power up

#### DANGER

- **Do not** connect or disconnect any wiring on the inverter as bodily harm and / or damage to the equipment may result.
- When momentary power loss is greater than **2** seconds (*the higher the HP rating, the longer the time*), the inverter can not sustain power to the control circuit. Therefore, when power is restored, the operation of the inverter is based on the setup of b000 / A015 and the condition of the external switches. This is considered to be a restart.
 

When **restarting**, the operation of the inverter is based on the setup of b000 and A015 and the condition of external switch (FWD / REV button).

**NOTE:** the start operation is not affected by parameters A013/A014/A018/A019.

  1. When b000=0000, the inverter **will not run** after restart.
  2. When b000=0001 and the external (FWD / REV) switch is off, the inverter **will not run** after restart.
  3. When b000=0001, the external switch (FWD / REV button) is on, and A015=0000, the inverter **will run** automatically after restart. **In this case after loss of power, turn off the external (FWD/REV) switch to avoid damage to the equipment and injury to personnel after sudden restoration of power.**

For further information, please refer to the description and warnings of parameter A015 covered in the advanced parameter section.
- When the momentary power loss is less than **2** seconds, the inverter still has enough storage power to support the control the circuit. Therefore, when power is restored, the inverter will automatically restart depending on the setup of A013 / A014.

#### CAUTION

The inverter display will flash the power voltage set by A007 for 5 seconds after power is applied.

### 3.3 Before Operation

#### DANGER

Make sure the model and inverter capacity match the A175 setting. See Section 17.0 for help in navigating parameters.

### 3.4 During Operation

 **DANGER**

**Do not** connect or disconnect the motor during operation. The overcurrent circuit will cause the inverter to trip or damage the equipment may result.

 **DANGER**

- **Do not** remove any protective covers as lethal voltages are present inside the inverter.
- The motor will restart automatically after stop when the auto-restart function is on. In this case, use extreme **caution** while working near the motor or driven equipment.
- *Note: The stop function is different from the **emergency stop switch**, which must be set first to be effective.*

 **CAUTION**

- **Do not** touch heat-generating components such as heat sinks and braking resistors.
- The inverter can operate the motor from low speed to high speed. Verify that the allowable speed range of the associated machinery will tolerate this range.
- Note the settings related to the `minimum braking resistor value.
- Do not check signals on circuit boards while the inverter is operating.

 **CAUTION**

After power is removed from the inverter, allow **5 minutes** before disassembling or checking any components or disconnecting wiring. The charge indicator lamp which is located under the digital operator should **not** be illuminated.



### 4.0 Environment and Installation

The environment will directly affect the proper operation and the life span of the inverter. To ensure that the inverter will give maximum service life, please comply with the following environmental conditions:

|   |   |
|---|---|
| <ul style="list-style-type: none"> <li>Ambient Temperature: 14 -104 °F (-10°C - +40°C),<br/>Without Cover: 14-122 °F (-10°C - +50°C)<br/>Relative Humidity: 95% non-condensing</li> </ul> |   |
| <ul style="list-style-type: none"> <li>Altitude : &lt; 3,281 ft. (1000m)</li> </ul>   |   |
| <ul style="list-style-type: none"> <li>Avoid exposure to rain or moisture.</li> </ul>   | <ul style="list-style-type: none"> <li>Avoid direct sunlight.</li> </ul>                              |
| <ul style="list-style-type: none"> <li>Avoid oil mist and salinity.</li> </ul>  | <ul style="list-style-type: none"> <li>Avoid corrosive liquid and gas.</li> </ul>                     |
| <ul style="list-style-type: none"> <li>Avoid dust, lint fibers, and small metal filings.</li> </ul>   | <ul style="list-style-type: none"> <li>Keep away from radioactive and flammable materials.</li> </ul> |
| <ul style="list-style-type: none"> <li>Avoid electromagnetic interference (soldering machines, power machines).</li> </ul>  |   |
| <ul style="list-style-type: none"> <li>Avoid vibration (stamping, punching machines etc.). Add a vibration-proof pad if the situation cannot be avoided.</li> </ul>                       |   |
| <ul style="list-style-type: none"> <li>If several inverters are placed in the same control panel, provide a heat removal means to maintain ambient temperatures below 40°C.</li> </ul>    |   |

### 4.1 Inverter Mounting

When mounting and installing one or more inverters on a panel or in an enclosure, ensure that the placements and clearances are correct. (see Fig.'s 4.1.1 and 4.1.2). Also make sure that the inverter(s) are mounted **vertically** to maximize air flow to the heatsink. To further increase airflow, the dust cover on the inverter(s) may be removed, provided that the environment is free from contaminants.

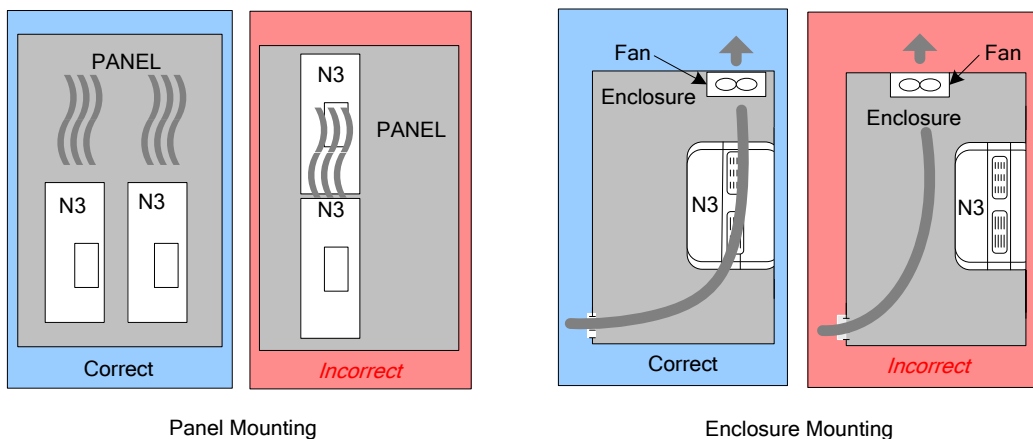
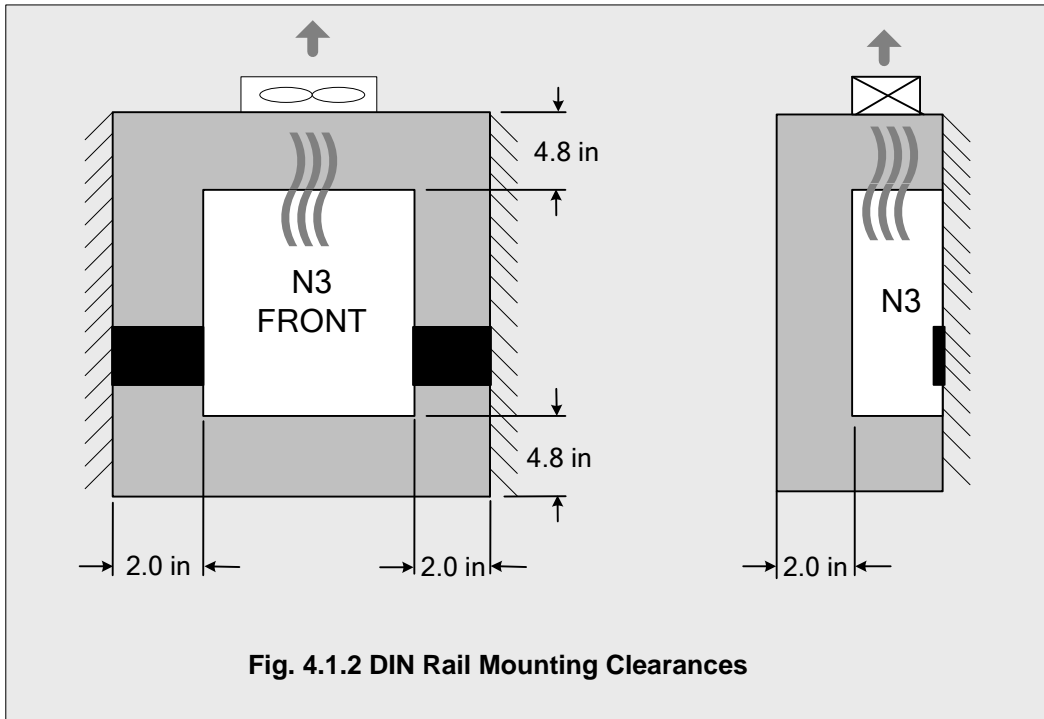


Fig. 4.1.1 Panel and Enclosure Placements

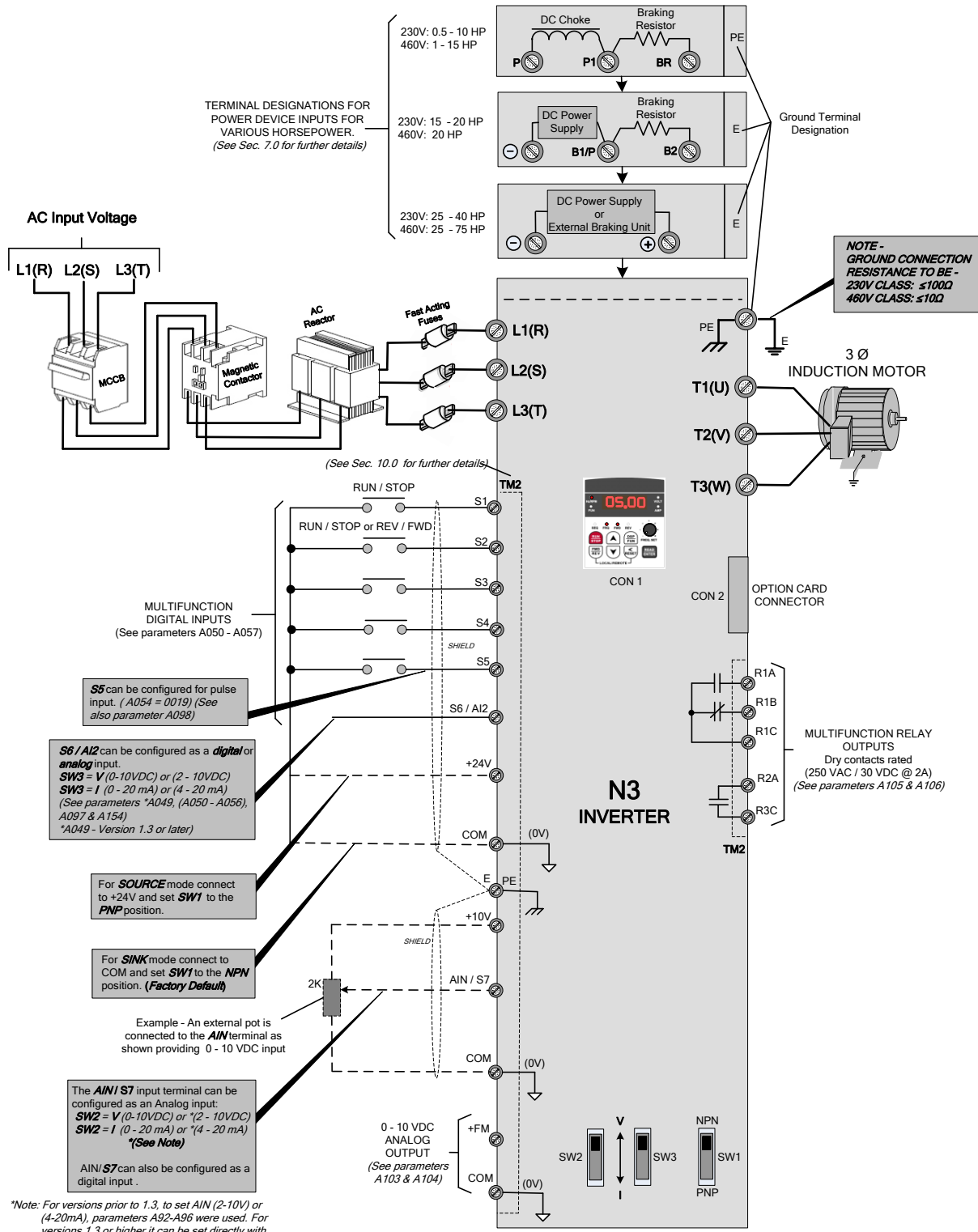
Cont.



**Fig. 4.1.2 DIN Rail Mounting Clearances**

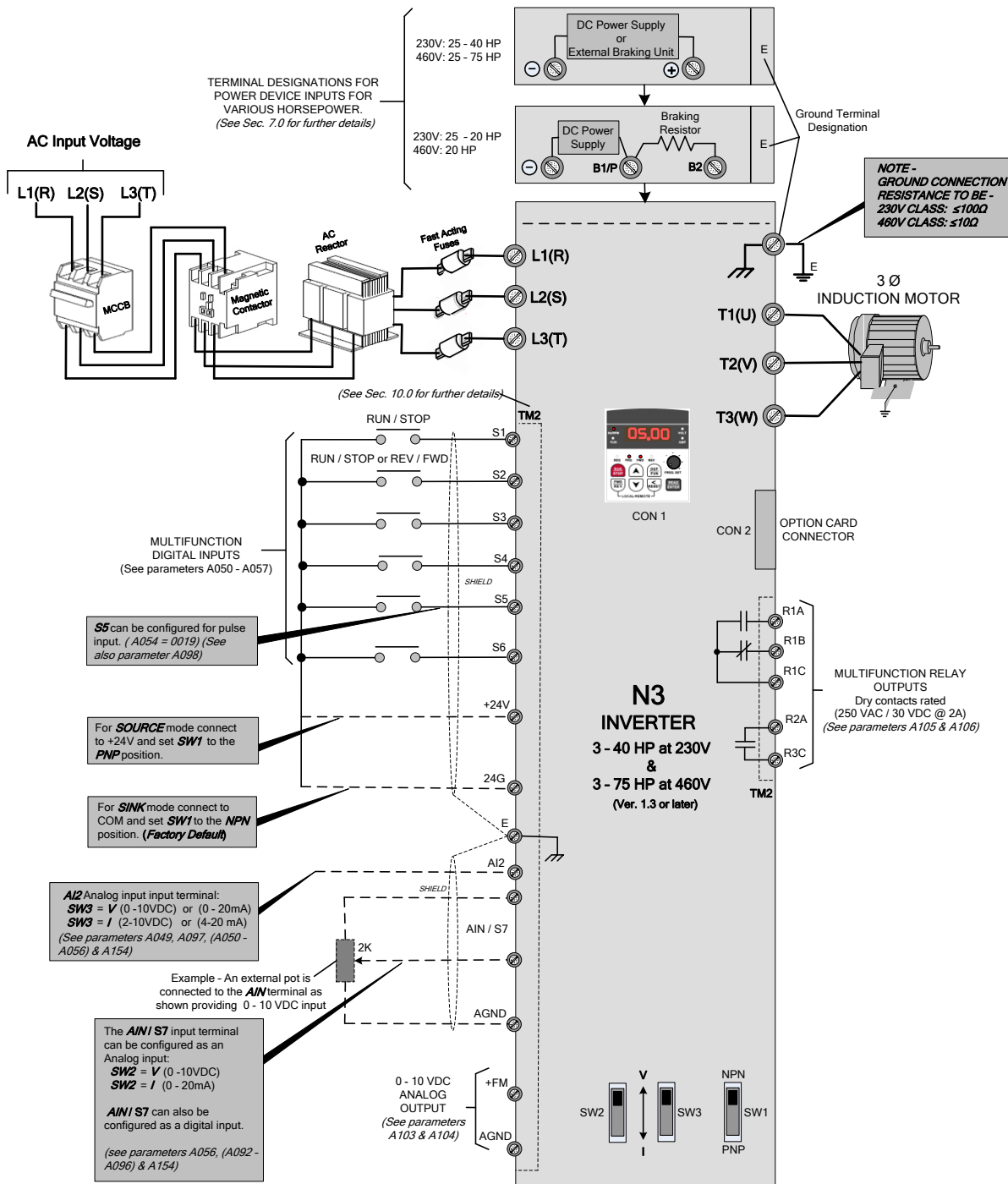
NOTES:

### 5.0 General Wiring Diagram 1 - 2 HP and (3 – 75 HP prior to Version 1.3)



**N3 General Wiring Diagram**  
1 - 2 HP and (3-75 HP prior to Version 1.3)

### 6.0 General Wiring Diagram (3 – 75 HP Version 1.3 or later)



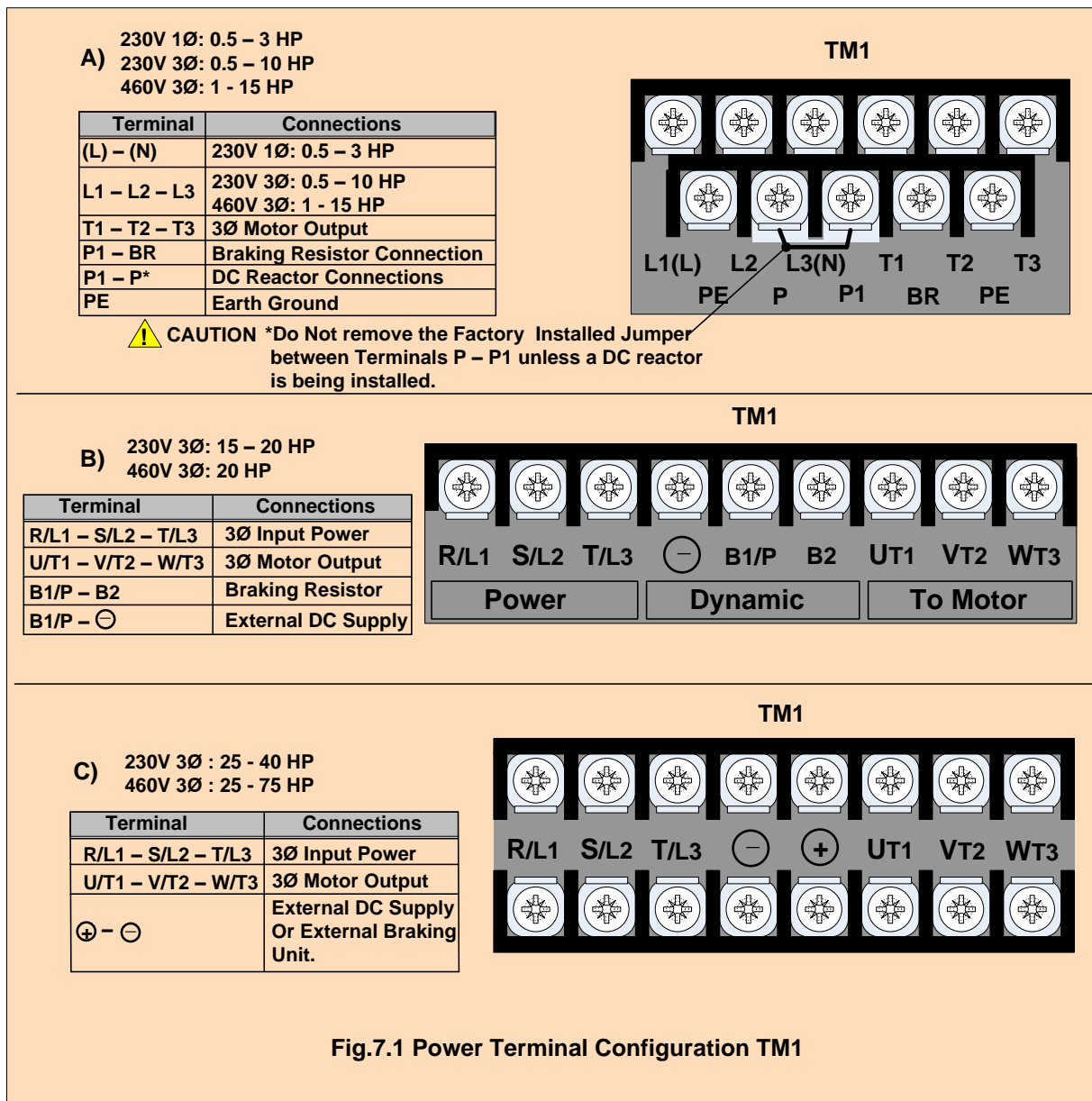
**N3 General Wiring Diagram**  
3 - 40 HP at 230V and 3 - 75 HP at 460V (Version 1.3 or later)

## 7.0 Power Terminals Designations and Ratings (Terminal Block TM1)

Depending on inverter ratings, the power terminals (TM1) can have one of three configurations. These are shown as A), B) and C) in Fig. 7.1. Section 7.2 covers the electrical ratings and tightening torques of the terminals.

- **Do Not** over tighten terminal screws. (See Sec. 7.2)
- Use the proper wire size for terminal connections.
- Use proper termination techniques.

### 7.1 Power Terminal Configuration TM1



7.2 Power Terminal Block TM1 Electrical Ratings and Tightening Torques

Table 7.1 Electrical Ratings and Tightening Torques

| Horsepower         | Phase Ø | Power source | Volts | Amps | Tightening Torque |               |
|--------------------|---------|--------------|-------|------|-------------------|---------------|
|                    |         |              |       |      | Lb-ft / KG-M      | Lb-in / KG-CM |
| 0.5 & 1            | 1       | 200-240V     | 600   | 15A  | 0.59 / 0.08       | 7.10 / 8.20   |
| 2                  | 3       |              |       |      |                   |               |
| 1 & 2              | 3       |              |       |      |                   |               |
| 3, 5, 7.5, 10 & 15 | 3       | 200-240V     |       | 40A  | 1.5 / 0.21        | 18.00 / 20.28 |
| 2 & 3              | 1       |              |       |      |                   |               |
| 3, 5, 7.5, 10 & 15 | 3       | 380-480V     |       | 80A  | 1.84 / 0.3        | 22.1 / 30     |
| 15, 20, & 25       | 3       | 200-240V     |       |      |                   |               |
| 20, 25, & 30       | 3       | 380-480V     |       | 60A  | 1.84 / 0.3        | 22.1 / 30     |
| 30                 | 3       | 200-240V     |       |      |                   |               |
| 40 & 50            | 3       | 380-480V     |       | 100A | 4.42 / 0.66       | 53.1 / 66     |
| 40                 | 3       | 200-240V     |       |      |                   |               |
| 60 & 75            | 3       | 380-480V     | 150A  |      |                   |               |

8.0 Inverter Wiring

8.1 Input / Output Power Wiring Connections (Terminal TM1)

Table 8.1 Input / Output Power Wire Size vs Horsepower

| Inverter Input Voltage | Horsepower   |             |           |             |         |              |         |
|------------------------|--------------|-------------|-----------|-------------|---------|--------------|---------|
|                        | 240 V        | 0.5, 1, & 2 | 3 & 5     | 7.5 & 10    | X       | 15, 20, & 25 | 30      |
| 480 V                  | 1, 2, 3, & 5 | 7 & 10      | 15        | 20, 25 & 30 | X       | 40 & 50      | 60 & 75 |
| *AWG / mm <sup>2</sup> | #14 / 2.0    | #12 / 3.5   | #10 / 5.5 | #6 / 14     | #4 / 22 | #2 / 30      | #1 / 50 |

\* Wire size shown is based on maximum terminal size. Please consult the NEC or local codes for the proper size to be used.

- Use **only** copper wires. Proper diameter wire should be based on ratings at +105°C.
- The minimum voltage rating of wiring is: 300V for 230VAC and 600V for 460VAC.
- For safety reasons do not use under sized wiring.

8.2 Input / Output Power Wiring Noise Suppression

Electrical noise or EMI can be generated from the input power lines and or the output power leads to the motor. This can interfere with the function of surrounding equipment as well as the inverter’s own control wiring. Fig. 8.2 shows an example of filters and shielding schemes to help minimize any radiated EMI.

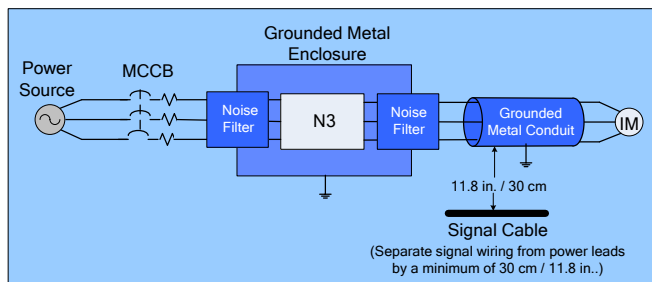


Fig. 8.2 Input / Output Power Wiring Noise Suppression

Cont.

### 8.3 Motor Cable Length

- The length of the cables between the motor and inverter can cause a significant phase to phase voltage reduction at the motor due to the voltage drop across the cables. To calculate this reduction, apply the following formula:

$$\text{Phase-to-phase voltage drop (V)} = \sqrt{3} \times \text{resistance of wire } (\Omega/\text{km}) \times \text{length of line (m)} \times \text{current} \times 10^{-3}.$$

(km=3280 x feet)
(km=3.28 x feet)

### 8.4 Cable Length vs Carrier Frequency

- The allowable setting of the PWM carrier frequency is also determined by motor cable length and on is specified in the following table.

**Table 8.2 Cable Length vs Carrier Frequency**

| Cable length between the inverter and motor<br>ft / m | < 75 / 22.9 | < 150/45.7 | < 300 / 91.4 | > 300 / 91.4 |
|---|-------------|------------|--------------|--------------|
| Recommended carrier frequency allowed                 | <16KHz      | <12KHz     | <8KHz        | < 5KHz       |
| Setting of parameter A044                             | 16          | 12         | 8            | 5            |

### 8.5 Inverter Grounding

The proper grounding scheme for one or more inverters is very important to ensure personnel safety as well as equipment performance. The following will discuss the proper grounding procedures.

- The grounding resistance for the 230V class; <100Ω, the 460V class; <10Ω.
- The ground wire size (AWG) is per electrical code.
- Do Not** share a ground with any other equipment with high current loads such as welding machines, presses, etc. Connect the inverter to its own dedicated ground.
- Do Not** make a loop when several inverters share a common ground point (See Fig. 8.5c).

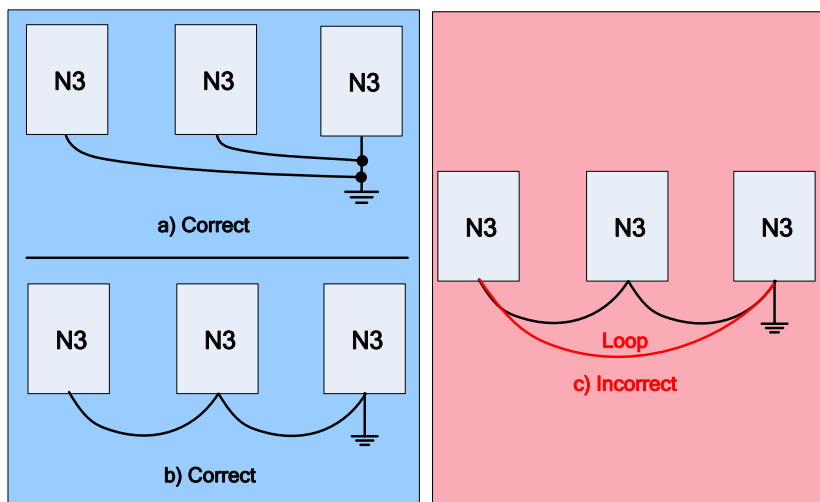


Fig. 8.5 Inverter Grounding

### 8.6 Input Power Wiring and Installation Recommendations with Examples

Fig. 8.6 shows input power installation recommendations with correct and incorrect examples.

- When possible the inverter should be connected to a dedicated input power source. (Fig. 8.6 a)
- When the inverter is sharing a power source with other equipment, either install a special input noise filter, (Fig. 8.6b) or an isolation transformer, (Fig. 8.6c) to isolate other loads.
- Using a general purpose noise filter may not give sufficient results as shown in (Fig. 8.6d) below.

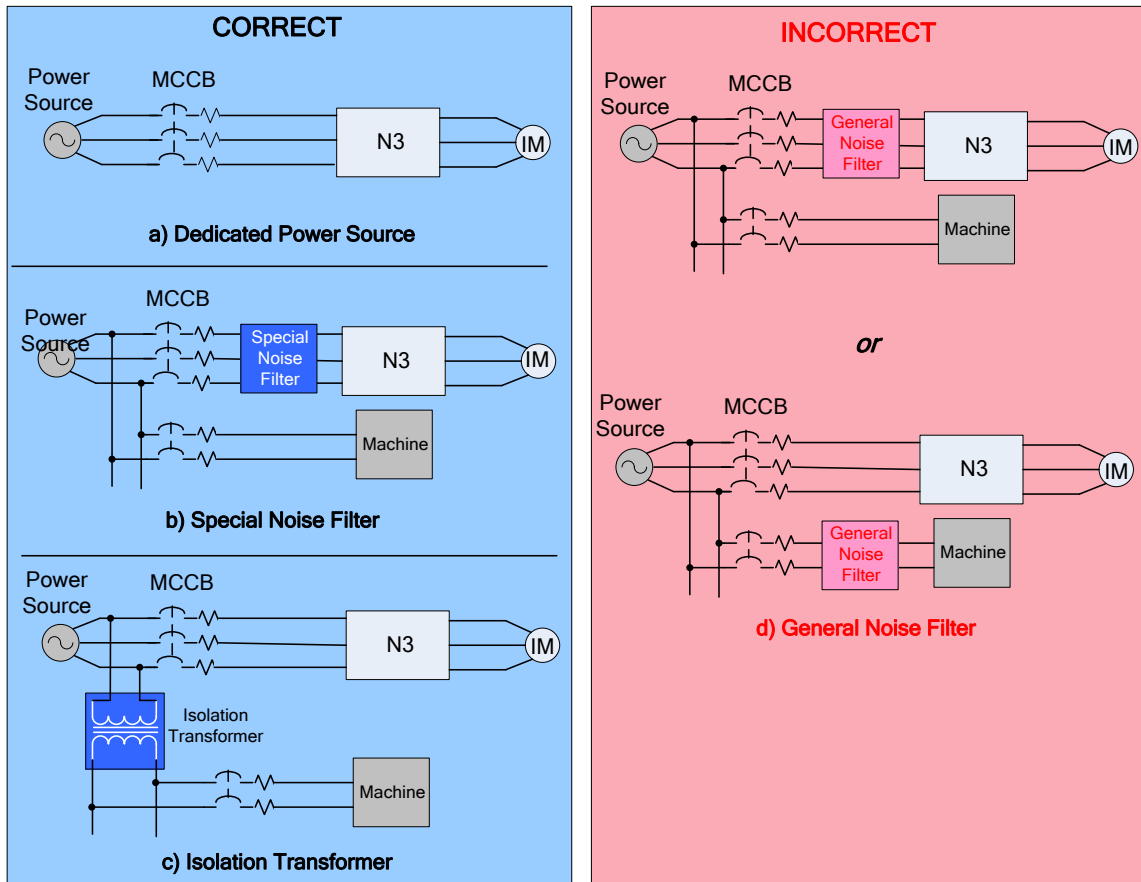
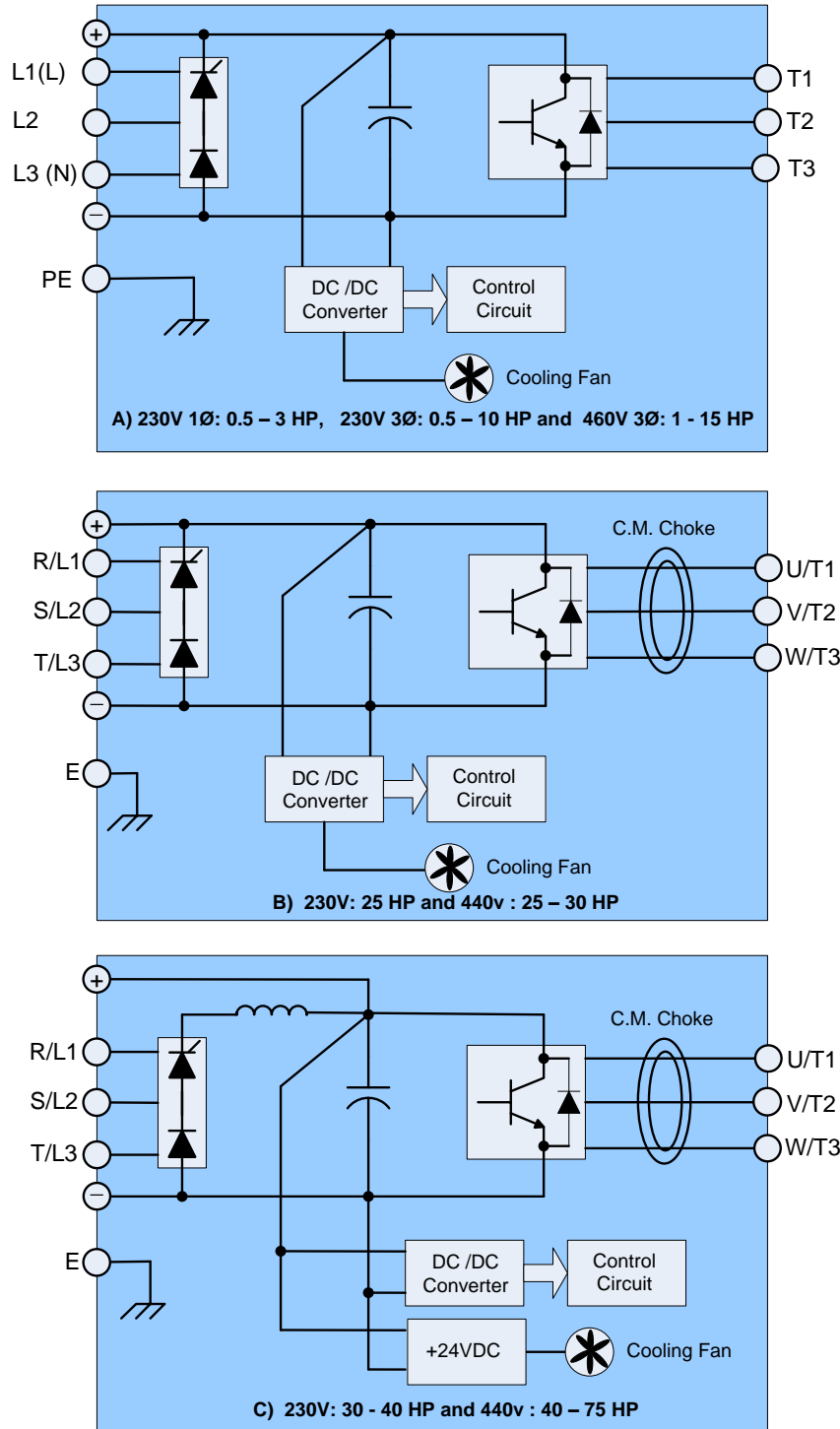


Fig. 8.6 Input Power Wiring and Installation Examples



### 9.0 Input / Output Power Section Block Diagram

The following Fig. 9.0 A), B) and C) show the basic configuration of the power sections for the range of horsepower and input voltages. This is shown for reference only and is not a detailed depiction.



**Fig. 9.0 Power Input / Output Block Diagrams**

### 10.0 Control Terminals (Terminal Block TM2)

The following table shows the control terminal designations for terminal block TM2. Refer to the parameter section of this manual and to General Wiring Diagrams 5.0 and 6.0 for further explanation of the functions and connections.

**Table 10.1 Control Terminal Designations (Terminal Block TM2)**

| Terminal        | Description  |   |
|-----------------|--|---|
| <b>R2A</b>      | Multifunctional output relay ( <i>Form A - N.O.</i> )  |   |
| <b>R2B</b>      |  |   |
| <b>R1C</b>      | Common contact   | Multifunctional output relay<br>( <i>Form C</i> ) |
| <b>R1B</b>      | Normal close contact   |   |
| <b>R1A</b>      | Normal open contact  |   |
| <b>10V</b>      | Frequency knob (VR) power source terminal  |   |
| <b>AIN / S7</b> | Analog signal input terminal (0 -10Vdc / 4 - 20mA), or multifunction input terminals S7 (H level:>8V, L level:<2V, PNP only) (refer to parameter A056 description)   |   |
| <b>A12</b>      | Analog signal input (0 - 10V / 0 – 20 mA) Or 2 – 10V / 4 – 20 mA) <b>3 - 75 HP: (For Ver. 1.3 or later only)</b>   |   |
| <b>24V</b>      | Common for digital inputs, S1-S5 (S6, S7) in PNP (Source) input. ( <i>SW1 is set to PNP input</i> )  |   |
| <b>COM</b>      | <b>0.5 - 2 HP &amp; (3 – 75HP prior to Ver. 1.3):</b> Common for analog input /output signals and for digital S1 - S5 inputs in NPN (Sink) input. ( <i>SW1 set to NPN input</i> )  |   |
| <b>*24G</b>     | Common for digital S1 – S6 inputs in NPN (Sink) input. ( <i>SW1 set to NPN input</i> )   |   |
| <b>*AGND</b>    | Common for analog inputs AIN & A12 and analog output FM+   |   |
| <b>FM+</b>      | Multifunction analog output signal, 0-10VDC @ 2mA max. (refer to parameter A103 description)   |   |
| <b>S1</b>       | Multifunction digital input terminals(refer to parameters A050 - A054 description)   |   |
| <b>S2</b>       |  |   |
| <b>S3</b>       |  |   |
| <b>S4</b>       |  |   |
| <b>S5</b>       | Multifunction digital input terminal (Same as S1 – S4) <b>or</b> can be used as a pulse train input to control output frequency. (refer to parameter A054=0019 description). Input pulse level 19.2V min. to 24.7V max.      |   |
| <b>S6 / A12</b> | <b>0.5 - 2 HP&amp; (3 – 75HP prior to Ver. 1.3):</b> Multifunction input terminal (digital terminal high level:>8V, Low level:<2V, PNP only) or analog input terminal A12 (0 -10Vdc / 4 - 20mA). (refer to A055 description) |   |

\* **3 - 75 HP: (For Ver. 1.3 or later only, see Appendix F for further details)**

Cont.

### 10.2 Control Terminal Layout (Terminal Block TM2) and Control Switches

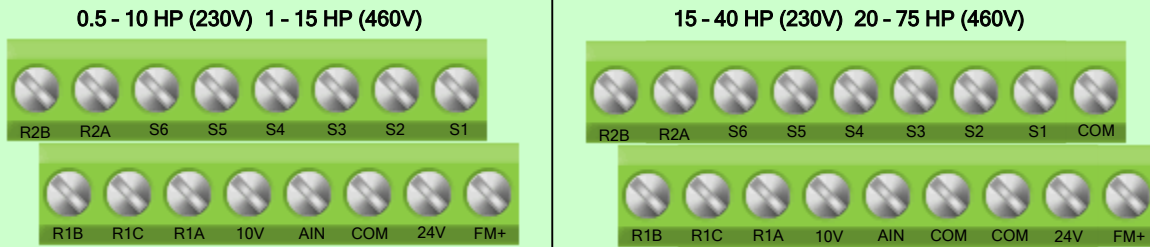


Fig. 10.2.1 Control Terminal TM2 Layout (Prior to Version 1.3)

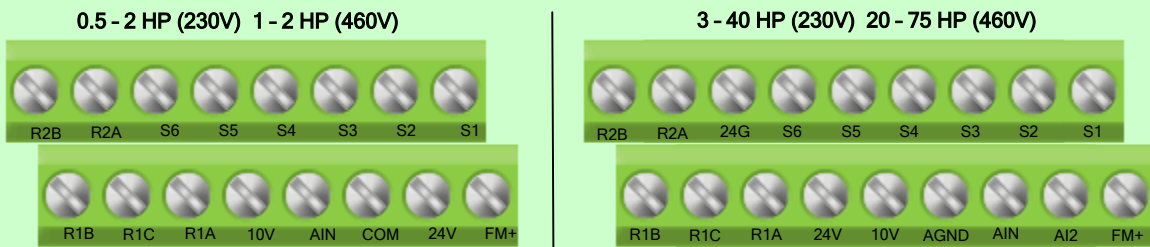
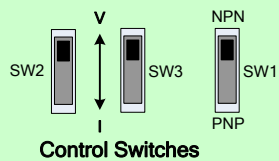


Fig. 10.2.2 Control Terminal TM2 Layout (Version 1.3 or Later)



**SW1** - Sets the input digital terminals **S1-S7** for Sink (NPN) or Source (PNP) logic.

**SW2** - Sets the analog input terminal **AIN** for voltage (V) or current (I).

**SW3** - Sets the analog input terminal **AI2** (Ver. 1.3 or later) or the multifunctional terminal **S6/AI2** (prior to Ver.1.3) for voltage (V) or current (I).

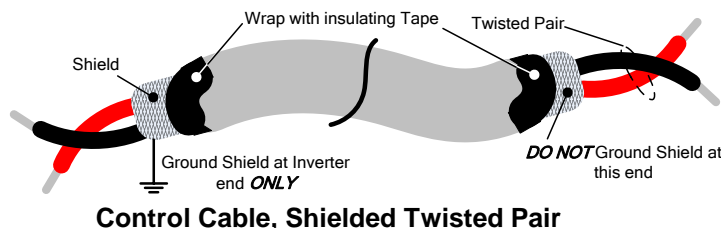
Please refer to General Wiring Diagrams 5.0 and 6.0 for further information.

Control Board

### 10.3 Control Terminal Wiring and Connections (Terminal TM2)

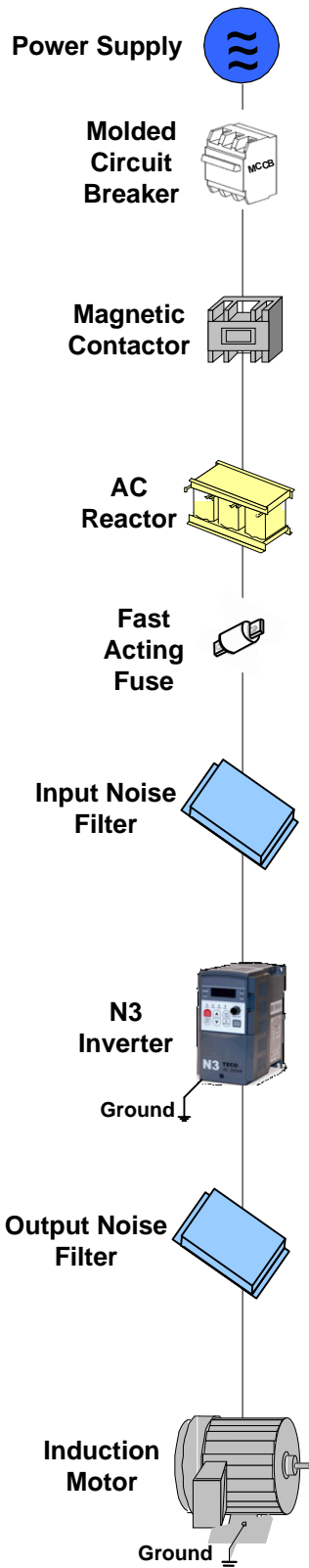
Control wiring is connected to terminal TM2. Select the proper wire and rating in accordance with the following:

- Use copper wire **only**. The proper wire diameter should be based on ratings at +105°C.
- AWG #18 is recommended.
- To minimize EMI (*electromagnetic interference*), route control cables at least 12 in. from any power cables. **Do not** run control wiring in the same conduit with power and motor wiring.
- Depending on signal levels, shielded - twisted pair wiring is recommended as shown in the Fig. below.
- For nominal values of input / output signals, follow the requirements of *class 2* wiring




## 11.0 Peripheral Power Devices

The following describes some of the precautions that should be followed when selecting peripheral power devices.




### Power supply:


-  Make sure the correct voltage is applied to avoid damaging the inverter.

### Molded-case circuit breaker (MCCB) or fused disconnect:

- A molded-case circuit breaker or fused disconnect must be installed between the AC source and the inverter that conforms to the rated voltage and current of the inverter to control the power and protect the inverter.


-  Do not use the circuit breaker as the run/stop switch for the inverter.

### Ground fault detector / breaker:

-  Install a ground fault breaker to prevent problems caused by current leakage and to protect personnel. Select current range up to 200mA, and action time up to 0.1 second to prevent high frequency failure.

### Magnetic contactor:

- Normal operations do not need a magnetic contactor. When performing functions such as external control and auto restart after power failure, or when using a brake controller, install a magnetic contactor.

-  Do not use the magnetic contactor as the run/stop switch for the inverter.

### AC line reactor for power quality:

- When inverters are supplied by a high capacity (above 600KVA) power source, an AC reactor can be connected to improve the power factor.

### Install Fast Acting Fuse:


- To protect peripheral equipment, install fast acting fuses in accordance with the specifications in **Sec.12.0**.


### Input and output noise filter:

- A filter must be installed when there are inductive loads affecting the inverter.

### Inverter:

- Output terminals T1, T2, and T3 are connected to U, V, and W terminals of the motor. If the motor runs in reverse while the inverter is set to run forward, swap any two terminals connections for T1, T2, and T3.

-  To avoid damaging the inverter, do not connect the output terminals T1, T2, and T3 to AC input power.

-  Connect the ground terminal properly. (230V series:  $R_g < 100\Omega$ ; 460V series:  $R_g < 10\Omega$ .)

## 12.0 Input Fuse Types and Ratings

Inverter input fuses are provided to disconnect the inverter from input power in the event of a component failure in the inverter's power circuitry. The inverter's electronic protection circuitry is designed to clear inverter output short circuits and ground faults without blowing the inverter input fuses. The table on the next page shows the N3 input fuse ratings.

- To protect the inverter most effectively, use fuse types RK5 or CC/T with a current-limit function.

**Table 12.1A (1Ø) Input Fuse Types and Ratings**

| 220V class (1Ø) |     |      |     |                                 |                           |                                   |
|-----------------|-----|------|-----|---------------------------------|---------------------------|-----------------------------------|
| N3-2            | HP  | KW   | KVA | 100% CONT<br>Output AMPS<br>(A) | Max.RK5<br>FUSE Rating(A) | Max. CC or T<br>FUSE<br>Rating(A) |
| P5-CS           | 0.5 | 0.4  | 1.2 | 3.1                             | 10                        | 20                                |
| 01-CS           | 1   | 0.75 | 1.7 | 4.5                             | 15                        | 30                                |
| 02-CS           | 2   | 1.5  | 2.9 | 7.5                             | 20                        | 40                                |
| 03-CS           | 3   | 2.2  | 4.0 | 10.5                            | 25                        | 50                                |

**Table 12.1B (3 Ø) Input Fuse Types and Ratings**

| 220V class (3 Ø) |     |      |      |                                 |                           |                                   |
|------------------|-----|------|------|---------------------------------|---------------------------|-----------------------------------|
| N3-2             | HP  | KW   | KVA  | 100% CONT<br>Output AMPS<br>(A) | Max.RK5<br>FUSE Rating(A) | Max. CC or T<br>FUSE<br>Rating(A) |
| P5-C             | 0.5 | 0.4  | 1.2  | 3.1                             | 8                         | 10                                |
| 01-C             | 1   | 0.75 | 1.7  | 4.5                             | 12                        | 15                                |
| 02-C             | 2   | 1.5  | 2.9  | 7.5                             | 15                        | 20                                |
| 03-C             | 3   | 2.2  | 4.0  | 10.5                            | 20                        | 30                                |
| 05-C             | 5   | 3.7  | 6.7  | 17.5                            | 30                        | 50                                |
| 07-C             | 7.5 | 5.5  | 9.9  | 26                              | 50                        | 60                                |
| 10-C             | 10  | 7.5  | 13.3 | 35                              | 60                        | 70                                |
| 15-N1            | 15  | 11.0 | 20.6 | 48                              | 80                        | 100                               |
| 20-N1            | 20  | 15.0 | 27.4 | 64                              | 100                       | 125                               |
| 25-N1            | 25  | 18.5 | 34.0 | 80                              | 125                       | 150                               |
| 30-N1            | 30  | 22.0 | 41.0 | 96                              | 160                       | 200                               |
| 40-N1            | 40  | 30.0 | 54.0 | 130                             | 200                       | 250                               |

NOTES:

Cont.

**Table 12.1C (3 Ø) Input Fuse Types and Ratings**

| 440V class (3 Ø) |     |      |       |                           |                        |                             |
|------------------|-----|------|-------|---------------------------|------------------------|-----------------------------|
| N3-4             | HP  | KW   | KVA   | 100% CONT Output AMPS (A) | Max.RK5 FUSE Rating(A) | Max. CC or T FUSE Rating(A) |
| 01-C             | 1   | 0.75 | 1.7   | 2.3                       | 6                      | 10                          |
| 02-C             | 2   | 1.5  | 2.9   | 3.8                       | 10                     | 15                          |
| 03-C             | 3   | 2.2  | 4.0   | 5.2                       | 10                     | 20                          |
| 05-C             | 5   | 3.7  | 6.7   | 8.8                       | 20                     | 30                          |
| 07-C             | 7.5 | 5.5  | 9.9   | 13                        | 25                     | 35                          |
| 10-C             | 10  | 7.5  | 13.3  | 17.5                      | 30                     | 50                          |
| 15-C             | 15  | 11.0 | 20.6  | 25                        | 50                     | 60                          |
| 20-N1            | 20  | 15.0 | 27.4  | 32                        | 60                     | 70                          |
| 25-N1            | 25  | 18.5 | 34.0  | 40                        | 70                     | 80                          |
| 30-N1            | 30  | 22.0 | 41.0  | 48                        | 80                     | 100                         |
| 40-N1            | 40  | 30.0 | 54.0  | 64                        | 100                    | 125                         |
| 50-N1            | 50  | 37.0 | 68.0  | 80                        | 125                    | 150                         |
| 60-N1            | 60  | 45.0 | 82.0  | 96                        | 150                    | 200                         |
| 75-N1            | 75  | 55.0 | 110.0 | 128                       | 200                    | 250                         |

NOTE: Fuse ratings are based on 250V fuses for 230V inverters and 600v for 460V inverters.

### 13.0 Applicable Specifications for Circuit Breakers and Magnetic Contactors


The following tables show the specifications for molded case circuit breakers and magnetic contactors vs N3 models.

**Table 13.1A (230V)**

| N3 model                                 | N3-2XX - Y |            |            |            |            |            |             |              |              |              |              |              |
|--|------------|------------|------------|------------|------------|------------|-------------|--------------|--------------|--------------|--------------|--------------|
|  | P5-CS      | 01-CS      | 02-CS      | 03-CS      | 05-C       | 07-C       | 10-C        | 15-N1        | 20-N1        | 25-N1        | 30-N1        | 40-N1        |
| Molded-case circuit breaker made by TECO | TO-50E 10A | TO-50E 20A | TO-50E 30A | TO-50E 30A | TO-50E 30A | TO-50E 50A | TO-100S 60A | TO-100S 100A | TO-100S 100A | TO-225S 150A | TO-225S 175A | TO-225S 175A |
| Magnetic contactor (MC) made by TECO     | CN-11      |            |            | CN-16      | CN-18      | CN-25      | CN-50       | CN-65        | CN-80        | CN-100       | CN-125       |              |

**Table 13.1B (460V)**

| N3 model                                 | N3-4XX - Y          |            |            |            |             |             |              |              |              |              |              |  |
|--|---------------------|------------|------------|------------|-------------|-------------|--------------|--------------|--------------|--------------|--------------|--|
|  | 01-C/02-C/03-C/05-C | 07-C       | 10-C       | 15-C       | 20-N1       | 25-N1       | 30-N1        | 40-N1        | 50-N1        | 60-N1        | 75-N1        |  |
| Molded-case circuit breaker made by TECO | TO-50E 15A          | TO-50E 20A | TO-50E 30A | TO-50E 50A | TO-100S 50A | TO-100S 75A | TO-100S 100A | TO-100S 100A | TO-125S 125A | TO-225S 175A | TO-225S 175A |  |
| Magnetic contactor (MC) made by TECO     | CN-11               | CN-16      | CN-18      | CN-25      | CN-35       | CN-50       | CN-50        | CN-65        | CN-80        | CN-100       | CN-125       |  |

|   |
|---|
|  <b>CAUTION</b>  |
| TWMC bears no responsibility for failures caused by the following conditions:<br>(1) A molded-case circuit breaker is not installed, or an improper or overrated breaker is used between the power source and the inverter.<br>(2) A magnetic contactor, a phase capacitor, or a surge suppressor between the inverter and the motor. |

## 14.0 Reactor Input / Output Specifications

The specifications for the input (AC Power side) and output (DC to Motor side) reactors are as shown in the following tables.

**Table 14.1 Input Reactor Specifications**

| N3 Model<br>(240V) | AC inductance at<br>AC input side |                    | N3 Model<br>(460V) | AC inductance at<br>AC input side |                    |
|--------------------|-----------------------------------|--------------------|--------------------|-----------------------------------|--------------------|
|                    | Current<br>(A)                    | Inductance<br>(mH) |                    | Current (A)                       | Inductance<br>(mH) |
| <b>2P5</b>         | 5.0                               | 2.1                | <b>401</b>         | 2.5                               | 8.4                |
| <b>201</b>         | 5.0                               | 2.1                | <b>402</b>         | 5.0                               | 4.2                |
| <b>202</b>         | 10.0                              | 1.1                | <b>403</b>         | 7.5                               | 3.6                |
| <b>203</b>         | 15.0                              | 0.71               | <b>405</b>         | 10.0                              | 2.2                |
| <b>205</b>         | 20.0                              | 0.53               | <b>407</b>         | 15.0                              | 1.42               |
| <b>207</b>         | 30.0                              | 0.35               | <b>410</b>         | 20.0                              | 1.06               |
| <b>210</b>         | 40.0                              | 0.265              | <b>415</b>         | 30.0                              | 0.7                |
| <b>215</b>         | 60.0                              | 0.18               | <b>420</b>         | 40.0                              | 0.53               |
| <b>220</b>         | 80.0                              | 0.13               | <b>425</b>         | 50.0                              | 0.42               |
| <b>225</b>         | 90.0                              | 0.12               | <b>430</b>         | 60.0                              | 0.36               |
| <b>230</b>         | 120.0                             | 0.09               | <b>440</b>         | 80.0                              | 0.26               |
| <b>240</b>         | 160.0                             | 0.07               | <b>450</b>         | 90.0                              | 0.24               |
|                    |                                   |                    | <b>460</b>         | 120.0                             | 0.18               |
|                    |                                   |                    | <b>475</b>         | 150.0                             | 0.15               |

**Table 14.2 Output Reactor Specifications**

| N3 Model      | AC inductance at input side |                    |
|---------------|-----------------------------|--------------------|
|               | Current (A)                 | Inductance<br>(mH) |
| <b>(240V)</b> |                             |                    |
| <b>2P5</b>    | 3.1                         | 5.65               |
| <b>201</b>    | 4.5                         | 3.89               |
| <b>202</b>    | 7.5                         | 2.33               |
| <b>203</b>    | 10.5                        | 1.67               |
| <b>205</b>    | 17.5                        | 1.00               |
| <b>207</b>    | 26                          | 0.67               |
| <b>210</b>    | 35                          | 0.50               |
| <b>(460V)</b> |                             |                    |
| <b>401</b>    | 2.3                         | 15.22              |
| <b>402</b>    | 3.8                         | 9.21               |
| <b>403</b>    | 5.2                         | 6.73               |
| <b>405</b>    | 8.8                         | 3.98               |
| <b>407</b>    | 13                          | 2.69               |
| <b>410</b>    | 17.5                        | 2.00               |
| <b>415</b>    | 25                          | 1.40               |

### 15.0 Braking Unit and Braking Resistor Selections

| N3 Inverter Model | Braking Unit |                | Braking Resistor per braking unit | Suitable Motor Capacity |      | Braking resistor Specification |      | Braking resistor Duty Cycle (%) | Braking torque (%) | Resistor dimension (L x W x H) inches (mm) |
|-------------------|--------------|----------------|-----------------------------------|-------------------------|------|--------------------------------|------|---------------------------------|--------------------|--|
|                   | Model        | Qty            |                                   | Type                    | (HP) | (KW)                           | (W)  |                                 |                    |  |
| 2P5               | -            | -              | JNBRN-201                         | 0.5                     | 0.4  | 150                            | 200  | 10                              | 238                | 9.88x1.10x2.36 (251x28x60)                 |
| 201               | -            | -              | JNBRN-201                         | 1                       | 0.75 | 150                            | 200  | 10                              | 119                | 9.88x1.10x2.36 (251x28x60)                 |
| 202               | -            | -              | JNBRN-202                         | 2                       | 1.5  | 150                            | 100  | 10                              | 119                | 9.88x1.10x2.36 (251x28x60)                 |
| 203               | -            | -              | JNBRN-203                         | 3                       | 2.2  | 260                            | 70   | 10                              | 115                | 10.79x1.34x3.07 (274x34x78)                |
| 205               | -            | -              | JNBRN-205                         | 5                       | 3.7  | 390                            | 40   | 10                              | 119                | 10.79x1.34x3.07 (274x34x78)                |
| 207               | -            | -              | JNBRN-208                         | 7.5                     | 5.5  | 520                            | 30   | 10                              | 108                | 15.7x1.57x3.94 (400x40x100)                |
| 210               | -            | -              | JNBRN-210                         | 10                      | 7.5  | 780                            | 20   | 10                              | 119                | 15.7x1.57x3.94 (400x40x100)                |
| 215               | -            | -              | JNBR-2R4KW13R6                    | 15                      | 11   | 2400                           | 13.6 | 10                              | 117                | 21.1x1.96x4.33 (Qty 2) (535x50x110)        |
| 220               | -            | -              | JNBR-3KW10                        | 20                      | 15   | 3000                           | 10   | 10                              | 119                | 24.2x1.96x4.33 (Qty 2) (615x50x110)        |
| 225               | JNTBU-230    | 1              | JNBR-4R8KW8                       | 25                      | 18.5 | 4800                           | 8    | 10                              | 119                | 21.1x1.96x4.33 (Qty 4) (535x50x110)        |
| 230               | JNTBU-230    | 1              | JNBR-4R8KW6R8                     | 30                      | 22   | 4800                           | 6.8  | 10                              | 117                | 21.1x1.96x4.33 (Qty 2) (535x50x110)        |
| 240               | JNTBU-230    | 2              | JNBR-3KW10                        | 40                      | 30   | 3000                           | 10   | 10                              | 119                | 24.2x1.96x4.33 (Qty 2) (615x50x110)        |
| 401               | -            | -              | JNBRN-401                         | 1                       | 0.75 | 150                            | 750  | 10                              | 126                | 9.88x1.10x2.36 (251x28x60)                 |
| 402               | -            | -              | JNBRN-402                         | 2                       | 1.5  | 150                            | 400  | 10                              | 119                | 9.88x1.10x2.36 (251x28x60)                 |
| 403               | -            | -              | JNBRN-403                         | 3                       | 2.2  | 260                            | 250  | 10                              | 126                | 10.79x1.34x3.07 (274x34x78)                |
| 405               | -            | -              | JNBRN-405                         | 5                       | 3.7  | 400                            | 150  | 10                              | 126                | 10.79x1.34x3.07 (274x34x78)                |
| 407               | -            | -              | JNBRN-408                         | 7.5                     | 5.5  | 600                            | 130  | 10                              | 102                | 15.7x1.57x3.94 (400x40x100)                |
| 410               | -            | -              | JNBRN-410                         | 10                      | 7.5  | 800                            | 100  | 10                              | 99                 | 24.2x1.96x4.33 (615x50x110)                |
| 415               | -            | -              | JNBR-1R6KW50                      | 15                      | 11   | 1600                           | 50   | 10                              | 126                | 24.2x1.96x4.33 (615x50x110)                |
| 420               | -            | -              | JNBR-1R5KW40                      | 20                      | 15   | 1500                           | 40   | 10                              | 119                | 24.2x1.96x4.33 (615x50x110)                |
| 425               | JNTBU-430    | 1              | JNBR-4R8KW32                      | 25                      | 18.5 | 4800                           | 32   | 10                              | 119                | 21.1x1.96x4.33 (Qty 4) (535x50x110)        |
| 430               | JNTBU-430    | 1              | JNBR-4R8KW27R2                    | 30                      | 22   | 4800                           | 27.2 | 10                              | 117                | 21.1x1.96x4.33 (Qty 4) (535x50x110)        |
| 440               | JNTBU-430    | 1              | JNBR-6KW20                        | 40                      | 30   | 6000                           | 20   | 10                              | 119                | 24.2x1.96x4.33 (Qty 4) (615x50x110)        |
| 450               | JNVPHV-0060  | 1 <sup>A</sup> | JNBR-9R6KW16                      | 50                      | 37   | 9600                           | 16   | 10                              | 119                | 21.1x1.96x4.33 (Qty 8) (535x50x110)        |
| 460               | JNVPHV-0060  | 1 <sup>A</sup> | JNBR-9R6KW13R6                    | 60                      | 45   | 9600                           | 13.6 | 10                              | 117                | 21.1x1.96x4.33 (Qty 8) (535x50x110)        |
| 475               | JNTBU-430    | 2              | JNBR-6KW20                        | 75                      | 55   | 6000                           | 20   | 10                              | 126                | 24.2x1.96x4.33 (Qty 4) (615x50x110)        |

A- Alternative selection choice: 450: (JNTBU-430 + JNBR-4R8KW32) x 2      460: (JNTBU-430 + JNBR-4R8KW27R2) x 2

\*Above 20HP, add Braking Transistor Units: 200V JNTBU-230: 400V JNTBU-430: 400V JNVPHV-0060

Formula for braking resistor: **W = (Vpnb \* Vpnb) \* ED% / R**

Where: **W** = braking resistor power rating (Watts)

**Vpnb** = Braking voltage (220V=380VDC, 440V=760VDC)

**ED%** = Braking effective period (Braking time / total cycle time x 100%)

**R** = Braking resistor value (ohms)

For further detailed information, please contact TWMC.



## 16.0 EMC Filters

The inverters use PWM (Pulse Width Modulation) in the output power section which results in rapid on / off switching of the solid state power devices (IGTB transistors). Because of this, unwanted EMI (Electromagnetic Interference) and RFI (Radio Frequency Interference) is produced which may affect other equipment. The use of EMC filters listed in the following table is used to control this interference within limits set forth by the following standards.

- EMC Standard 89/336/EEC
- EMI Radio Standard – EMS Immunity Standard
- EN 61800-3 1996/A11 : 2000 First Environmental Unrestricted Distribution (Class B)
- EN 61800-3 1996/A11 : 2000 First Environmental Restricted Distribution

| Inverter Model |                | Rating<br>(INPUT) | Filter Model       |  |  |
|----------------|----------------|-------------------|--------------------|--|--|
|                |                |                   | Second Environment | First Environment<br>Restricted Distribution | First Environment<br>Unrestricted Distribution |
| N3             | 2P5-CS         | 1 φ 170 -264V     | --                 | Built in                                     | FS 6146-11-07                                  |
|                | 201-CS         | 1 φ 170-264V      | --                 | Built in                                     | FS 6146-11-07                                  |
|                | 202-CS         | 1 φ 170-264V      | --                 | Built in                                     | FS 6146-27-07                                  |
|                | 203-CS         | 1 φ 170 -264V     | --                 | Built in                                     | FS 6146-27-07                                  |
|                | 2P5-CS         | 1 φ 170 -264V     | --                 | FS 6146-11-07                                | --   |
|                | 201-CS         | 1 φ 170-264V      | --                 | FS 6146-11-07                                | --   |
|                | 202-CS         | 1 φ 170-264V      | --                 | FS 6146-27-07                                | --   |
|                | 203-CS         | 1 φ 170 -264V     | --                 | FS 6146-27-07                                | --   |
|                | 2P5-C          | 3 φ 170 -264V     | --                 | FS 6147-8.9-07                               | --   |
|                | 201-C          | 3 φ 170 -264V     | --                 | FS 6147-8.9-07                               | --   |
|                | 202-C          | 3 φ 170 -264V     | --                 | FS 6147-8.9-07                               | --   |
|                | 203-C          | 3 φ 170 - 264V    | --                 | FS 6147-19-07                                | --   |
|                | 205-C          | 3 φ 170 - 264V    | --                 | FS 6147-19-07                                | --   |
|                | 207-C          | 3 φ 170 - 264V    | --                 | FS 6147-39-07                                | --   |
|                | 210-C          | 3 φ 170 -264V     | --                 | FS 6147-39-07                                | --   |
|                | 401-C          | 3 φ 323 -528 V    | --                 | Built in                                     | FS 6149-4.6-07                                 |
|                | 402-C          | 3 φ 323 -528 V    | --                 | Built in                                     | FS 6149-4.6-07                                 |
|                | 403-C          | 3 φ 323 -528 V    | --                 | Built in                                     | FS 6149-10-07                                  |
|                | 405-C          | 3 φ 323 -528 V    | --                 | Built in                                     | FS 6149-10-07                                  |
|                | 407-C          | 3 φ 323 -528 V    | --                 | Built in                                     | FS 6149-28-07                                  |
|                | 410-C          | 3 φ 323 -528 V    | --                 | Built in                                     | FS 6149-28-07                                  |
|                | 415-C          | 3 φ 323 -528 V    | --                 | Built in                                     | FS 6149-28-07                                  |
|                | 401-C          | 3 φ 323 -528 V    | --                 | FS 6149-4.6-07                               | --   |
|                | 402-C          | 3 φ 323 -528 V    | --                 | FS 6149-4.6-07                               | --   |
|                | 403-C          | 3 φ 323 -528 V    | --                 | FS 6149-10-07                                | --   |
|                | 405-C          | 3 φ 323 -528 V    | --                 | FS 6149-10-07                                | --   |
|                | 407-C          | 3 φ 323 -528 V    | --                 | FS 6149-28-07                                | --   |
|                | 410-C          | 3 φ 323 -528 V    | --                 | FS 6149-28-07                                | --   |
|                | 415-C          | 3 φ 323 -528 V    | --                 | FS 6149-28-07                                | --   |
|                | 420-N1         | 3 φ 323 -528 V    | JUNF34048S-MA      | --   | --   |
| 425-N1         | 3 φ 323 -528 V | KMF370A           | --                 | --   |  |
| 430-N1         | 3 φ 323 -528 V | KMF370A           | --                 | --   |  |
| 440-N1         | 3 φ 323 -528 V | KMF3100A          | --                 | --   |  |
| 450-N1         | 3 φ 323 -528 V | KMF3100A          | --                 | --   |  |
| 460-N1         | 3 φ 323 -528 V | KMF3150A          | --                 | --   |  |

Note: Please refer to Appendix D for dimensional information for the various type EMC filters.

## 17.0 Keypad Key Functions and Navigation

The N3 keypad, provides all the necessary functions to allow full control of the N3 inverter. The keypad has membrane type keys and a 7 - segment 4 - digit LED display. Also located on the keypad is a potentiometer that can be used to control inverter output frequency when selected as the control source. A **remote** keypad is available as an **option**, and is covered more in detail in the **Option Modules Sec. 20.0**.

### 17.1 N3 Keypad

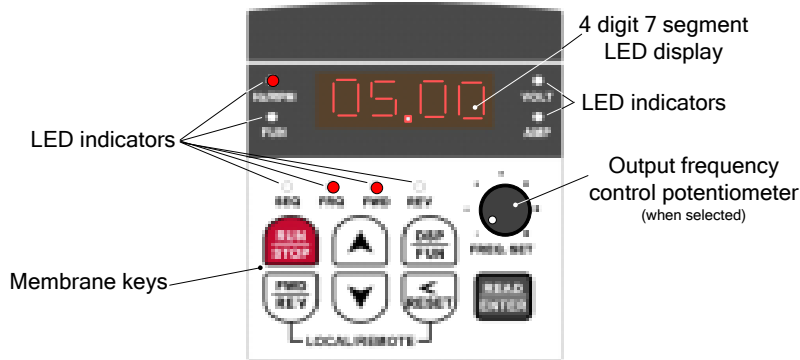


Fig. 17.1 N3 Keypad

### 17.2 Keypad LED Functions

Table 17.1







| LED             | STATUS   | DESCRIPTION   |
|-----------------|----------|---|
| SEQ (Sequence)  | OFF      | Run Command Source is from the <i>keypad</i> (B000=0) (factory default)   |
|                 | ON       | Run Command Source is from <i>external terminal</i> (B000=1), or <i>RS485 communication control</i> (B000=2)  |
| FRQ (Frequency) | OFF      | Frequency Command Source is from the <i>keypad</i> (B004=0) (factory default)   |
|                 | ON       | Frequency Command Source is from <i>potentiometer on keypad</i> (B004=1), <i>external analog signal</i> (B004=2), <i>up / down frequency control using MFIT (S1-S6)</i> (B004=3) or <i>RS485 communication control</i> (B004=4) |
| *FWD (Forward)  | ON       | Drive is running in the <i>forward</i> direction  |
|                 | Flashing | Drive is in the <i>stop mode</i>  |
| REV (Reverse)   | ON       | Drive is running in the <i>reverse</i> direction  |
|                 | Flashing | Drive is in the <i>stop mode</i>  |
| FUN (Function)  | ON       | Entering <i>A</i> or <i>b</i> parameters  |
| *Hz/RPM         | ON       | Display is showing <i>output frequency</i>  |
| VOLT            | ON       | Display is showing <i>motor voltage</i> (B014=1), <i>DC bus voltage</i> (B015=1) or <i>PID feedback voltage</i> (B016=1)  |
| AMPS            | ON       | Display is showing <i>motor current</i> (B013=1)  |

\*Note – On initial powerup (factory default), the only LEDs that are on are Hz/RPM and FWD.

### 17.3 Key Functions

The keys are multifunctional, providing for both control of the inverter *when keypad mode is selected (default)* and access in setting various parameters. The key functions are as follows.

Table 17.2

|   |  |
|---|--|
|    | <p><b>UP / DOWN</b></p> <ul style="list-style-type: none"> <li>· Sets the inverter output frequency when using the keypad mode.</li> <li>· Sets the <i>value</i> of the 4 display digits to set the *<b>A</b> and <b>b</b> parameters.</li> <li>· * Access to the <b>A</b> parameters must be <i>enabled</i>. (see Sec. 17.4.3)</li> </ul>                                 |
|    | <p><b>RUN / STOP</b></p> <ul style="list-style-type: none"> <li>· Controls the output of the inverter when selected in the keypad mode. It is an <i>on / off</i> toggle function.</li> </ul>   |
|    | <p><b>DISPLAY / FUNCTION</b></p> <ul style="list-style-type: none"> <li>· Toggles the display between the inverter output selected value (Hz etc.) and the *<b>A</b> and <b>b</b> parameter lists. Also when <b>AMPS</b> and or <b>VOLTS</b> are selected for display, the key will sequence through to display Hz/RPM, A and b parameter lists, AMPS or VOLTS.</li> </ul> |
|    | <p><b>FWD / REV</b></p> <ul style="list-style-type: none"> <li>· Controls the direction of the motor ( inverter output) when selected in the keypad mode. It is an <i>on / off</i> toggle function.</li> <li>· Used in conjunction with the <b>RESET / SCROLL</b> key to toggle between <i>Local</i> and <i>Remote</i> operation.</li> </ul>                               |
|   | <p><b>RESET / SCROLL</b></p> <ul style="list-style-type: none"> <li>· Resets the inverter after a fault</li> <li>· Scrolls through the <i>position</i> of the 4 display digits to set the *<b>A</b> and <b>b</b> parameters.</li> <li>· Used in conjunction with the <b>FWD / REV</b> key to toggle between <i>Local</i> and <i>Remote</i> operation.</li> </ul>           |
|  | <p><b>READ / ENTER</b></p> <ul style="list-style-type: none"> <li>· Used to <b>READ</b> and /or <i>save</i> (ENTER) *<b>A</b> and <b>b</b> parameters.</li> </ul>  |



#### CAUTION

Do not use any sharp or potentially damaging objects to operate the keypad.

NOTES:

### 17.4 Keypad Navigation

When attempting to control and set various parameters for the inverter it would be useful for the user to become familiar with keypad navigation and to go through a few function changes before making the final settings.

#### 17.4.1 Basic Keypad Control (Factory Default, b000=0000 & b004=0000)

In its basic form as received from the factory, the inverter output is controlled from the keypad. Please refer to the **A** and **b** parameter list (Sec. 19.0) to view the factory default settings for the various parameters. When the inverter is powered up, the display will be flashing and momentarily show the inverter **input voltage**. The flashing display will then switch to a minimum output frequency of **05.00Hz**, the **FWD** LED will be flashing and the **Hz/RPM** LED will be *on*. By pressing the **STOP / RUN** key the output is active (**RUN**) and the display is on solid as is the **FWD** LED. Using the **< / RESET** key to select the digit **position** and the **UP/DOWN** keys to select the digit **value**, the output frequency may then be set from **00.0 to 50.0/60.0Hz** with minimum increments of **00.1Hz**. The **FWD/REV** key may be toggled to set the output direction. Both the output frequency and the output direction can be set when the inverter is in the **RUN or STOP** mode. When the **RUN/STOP** key is toggled to **STOP**, the set frequency is displayed and the display is again flashing. The **< / RESET** key also functions to initiate a **RESET after a Fault is cleared**.

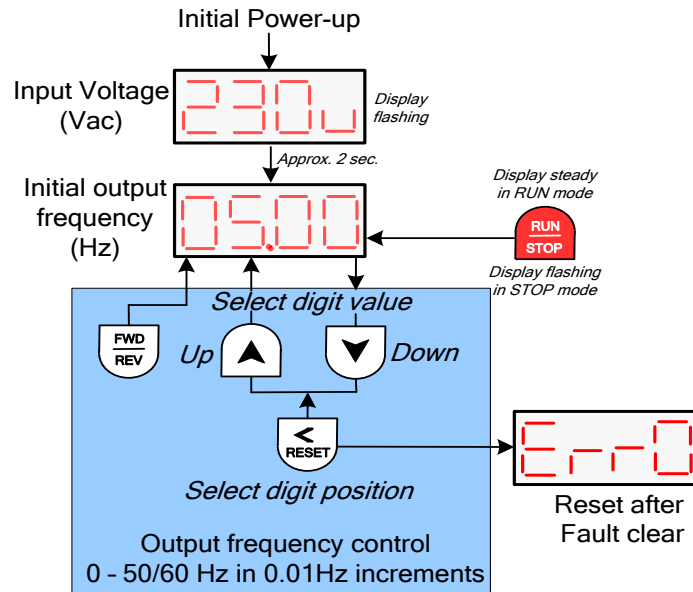


Fig. 17.2 Basic Keypad Control

#### 17.4.2 Local / Remote Function

##### Local / Remote Function

In **Local** mode:

- The **RUN** command is controlled by the **RUN / STOP** key.
- **FREQUENCY** command
  - If b004 = 0000: The **UP/DOWN** keys control the output frequency.
  - If b004 = 0001: The front panel potentiometer controls the output frequency.

In **Remote** mode:

- The **RUN** command is controlled via the function set by (**b000**)
- The frequency command is set by the function set by (**b004**)

To toggle between **Local / Remote** press the keys **simultaneously**.

### 17.4.3 Setting Parameters b(Basic) and A(Advanced)

The accessing and setting of parameter groups **b** and **A** will be discussed next.

**Important !** The **A (Advanced)** parameters are not directly accessible and must be enabled by setting parameter **b011=0001**.

#### Setting b (Basic) parameters

The basic parameters **b** can be accessed in two ways; the keypad or through the MODBUS protocol using an **optional** communications module. Here only keypad access will be described. Before proceeding, refer to the **b** and **A** parameter list (Sec. 19.0) and note that some parameters must be changed with the inverter in the **STOP** mode while others can be changed in either the **RUN** or **STOP** mode. Also changing certain parameters may also affect other functions and should be considered before making those changes.

To enter the **b** parameters, press the **DSP/ FUN** key; the display should show **b000**. Using the **> / RESET** key to select **the** digit position and the **Λ / V** keys to select the value, enter the parameter to be set and then press the **READ / ENTER** key to **save**; the display should momentarily flash **End** and return to the parameter selected.

#### Setting A (Advanced) parameters

As previously mentioned, the **A** parameters are not directly accessible and must be enabled. To do this, select parameter **b011** and then Code = **0001 (Enable)**. Press the **READ / ENTER** key to **save**; the display should be showing **b011**. Using the **> / RESET** key scroll to **b000** position and then press the **Λ** key; **A000** will be displayed. Using the same procedure in setting the **b** parameters scroll to the desired **A** parameter and select the **code** or **function** to be set and then press the **READ / ENTER** key to **save**. After all parameter changes have been made, press the **DSP/FUN** key to return the main display show the output frequency.

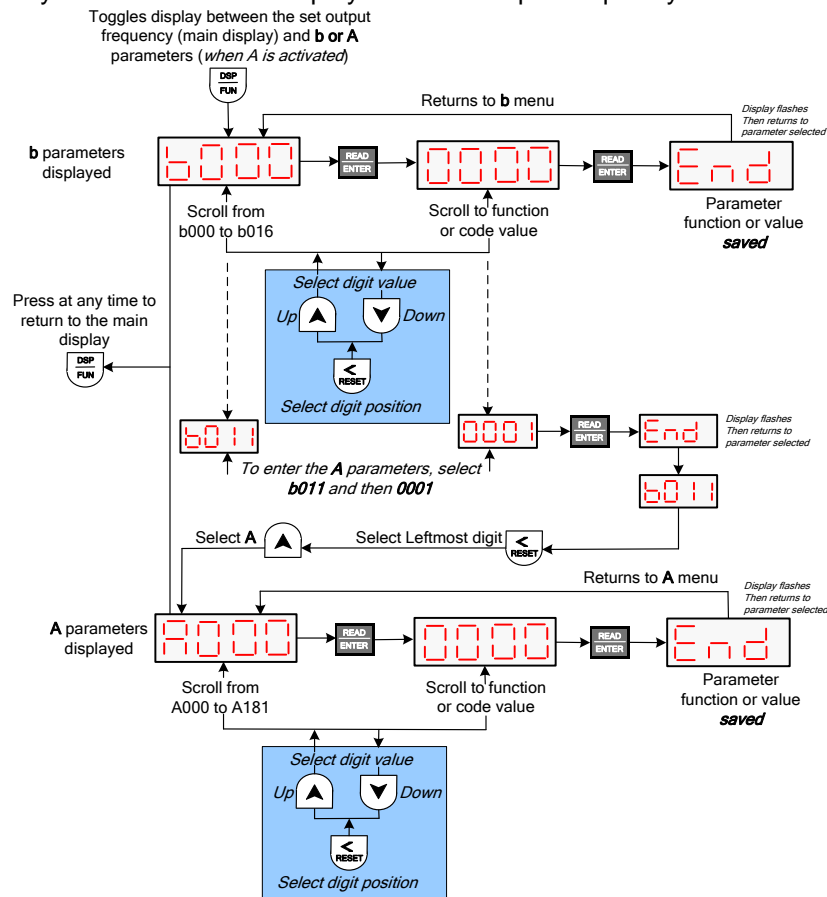


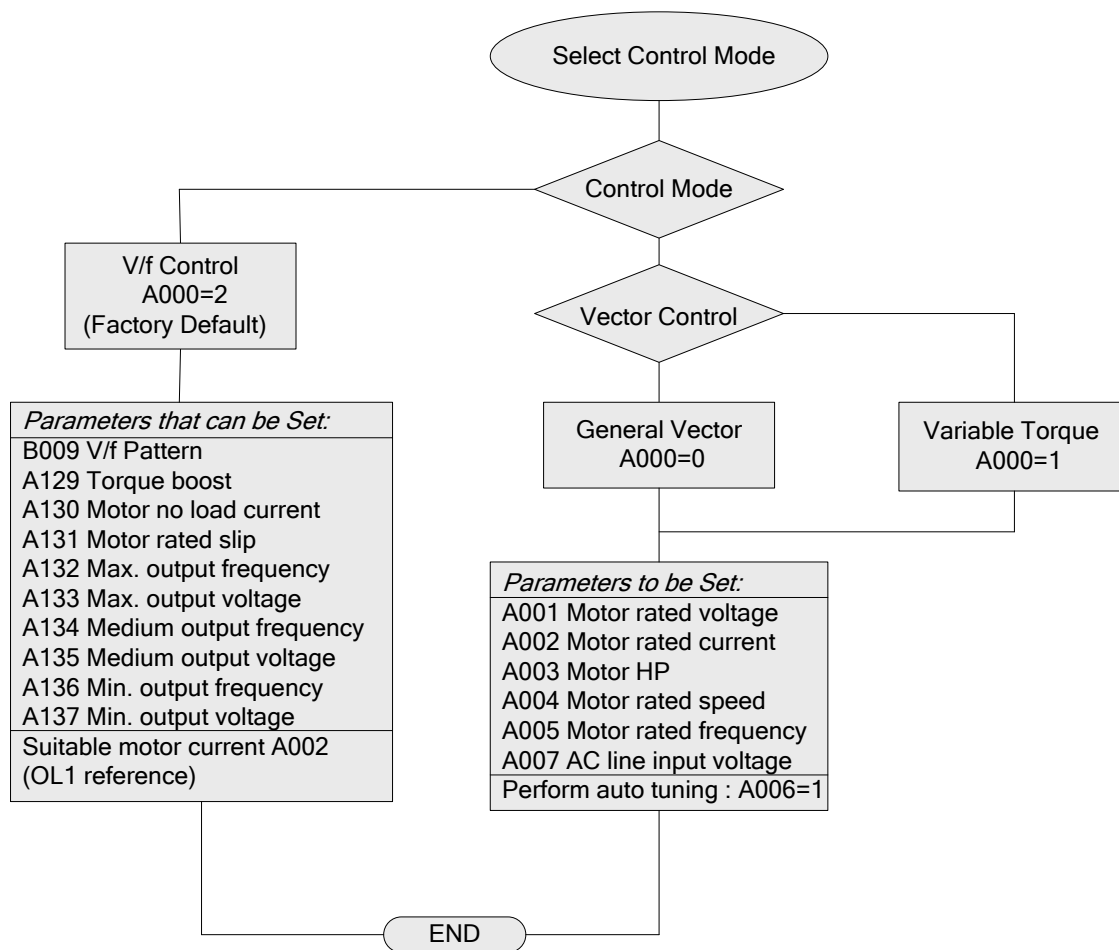
Fig. 17.3 Setting b (Basic) and A (Advanced) Parameters

## 18.0 Control Mode Selection

The N3 inverter series has three control modes:

1. General Vector Control.
2. VT (Variable torque) Vector Control (*Special for Fans and Pumps*).
3. V/f Control (*Factory default*).

The user can select one of these control modes by following the flow chart below and setting the parameters as shown. When vector control is selected the motor HP must match the inverter rating.



The V/f control mode should be used when the following conditions apply.

- (1) Using one inverter to drive several motors simultaneously.
  - In this case the rated inverter output current must equal or exceed the sum total of all of the motors connected.
  - The correct V/f pattern must be set by parameters A132 – A137.
- (2) The motors' nameplate information is unknown or the motor ratings are not standard.
  - In this case the inverter will set the motor characteristics in accordance with a standard TWMC motor.
- (3) The specifications of the inverter and motor differ by more than 1 HP.

In V/f control, A001 - A005 max. & min. values are determined by the TWMC standard motor specification limit.

When parameter A000 = 2 (V/f control), the keypad will display 'Err2' if Auto tuning is performed.

**19.0 b (Basic) and A (Advanced) parameters defined.**

The N3 inverter has two programmable function parameter categories; **A** (Advanced) and **b** (Basic) which are described in detail in this section. It is important to note that while the parameters are set individually, they are interactive with other parameters and must be considered when adjusting the value. It would be prudent on the users' part to consider all parameters that are to be changed for a particular application before setting the individual values.

*Note that the Advanced parameters are designated with an uppercase **A**, where the Basic parameters are designated with a lowercase **b**. This is the result when a 7-segment LED display is used and is not intended to show priority.*

**b** (Basic)

These parameters consist of the more basic parameters that most users need to consider. Examples of basic settings are acceleration and deceleration rates (b007 and b008), run command and frequency sources (b000 and b004), and optional current and voltage displays (b013 - b015). One important **b** parameter, (b011) allows the user to select whether to allow access to **A** advanced parameters. As mentioned in the keypad navigation section, in order to access and change the **A** parameters, *b011 must be enabled.*

**A** (Advanced)

In general the **A** parameters allow the inverter to be tailored to specific applications in order to achieve more precise or specialized control. Examples are PID control, Auto-run mode, RS485 communication set-up, vector control mode etc. In addition, all analog and digital input and output configurations plus motor parameters are entered in the **A** parameters.

The tables below will summarize the **b** and **A** parameters, and then they will be individually discussed in detail.

**Note: Some of the A parameters that are referenced in the Remarks column to note 9 are only available in Versions 1.3 or later. (See Appendix F)**

**19.1 b (Basic) Parameter Summary**

| Parameter No. | LCD Display     | Description   | Range/Code  | Factory Setting | Remarks |
|---------------|-----------------|---|---|-----------------|---------|
| b000          | Run Source      | Run Command Source Selection                                    | 0000: Keypad<br>0001: External Run/Stop Control<br>0002: Communication                                  | 0000            |         |
| b001          | MFIT Run Mode   | Run/Stop-Forward/Reverse Operation Mode with External Terminals | 0000: Forward/Stop-Reverse/Stop<br>0001: Run/Stop-Forward/Reverse<br>0002: 3-Wire Control Mode-Run/Stop | 0000            |         |
| b002          | Reverse Oper    | Reverse Prohibit operation                                      | 0000: Enable Reverse Command<br>0001: Disable Reverse Command   | 0000            |         |
| b003          | Stopping Method | Stopping Method Selection                                       | 0000: Deceleration-to- Stop with DC Injection Braking (Rapid Stop)<br>0001: Coast to a Stop             | 0000            |         |

*Cont.*

|      |                  |                                       |  |               |                              |
|------|------------------|---------------------------------------|--|---------------|------------------------------|
| b004 | Frequency Source | Frequency Command Source Selection    | 0000: Keypad<br>0001: Potentiometer on Keypad<br>0002: External Analog Signal Input or Remote Potentiometer<br>0003: Up/Down Frequency Control Using MFIT (S1 - S6)<br>0004: Communication setting frequency<br>0005: Pulse Follower | 0000          |                              |
| b005 | Freq Upper Limit | Frequency Upper Limit (Hz)            | 0.01 - 400.00  | 50.00 / 60.00 | 2                            |
| b006 | Freq Lower Limit | Frequency Lower Limit (Hz)            | 0.00 - 400.00  | 0.00          |                              |
| b007 | Accel Time 1     | Acceleration Time # 1 (Seconds)       | 0.1 – 3600.0   | 10.0          | 1                            |
| b008 | Decel Time 1     | Deceleration Time # 1 (Seconds)       | 0.1 – 3600.0   | 10.0          | 1                            |
| b009 | V/F Selection    | Volts/Hz Patterns(Password protected) | 0 - 18   | 9             | 2 & 3                        |
| b010 | Password         | Parameter Lock(except B010)           | 0000: Disable<br>0001: Enable  | 0000          |                              |
| b011 | Advanced Display | Advanced Display                      | 0000: Disable<br>0001: Enable  | 0000          |                              |
| b012 | Select Language  | Language Selection                    | 0000: English<br>0001: German<br>0002: French<br>0003: Italian<br>0004: Spanish  | 0000          | Only for LCD Keypad (option) |
| b013 | Mtr Current      | Motor Current Display Selection       | 0000: Disable Motor Current Display<br>0001: Enable Motor Current Display  | 0000          | 1                            |
| b014 | Mtr Voltage      | Motor Voltage Display Selection       | 0000: Disable Motor Voltage Display<br>0001: Enable Motor Voltage Display  | 0000          | 1                            |
| b015 | Bus Voltage      | DC Bus Voltage Display Selection      | 0000: Disable Bus Voltage Display<br>0001: Enable Bus Voltage Display  | 0000          | 1                            |
| b016 | PID Fdbk(S6)Disp | PID Feedback Display Selection        | 0000: Disable PID Feedback Display<br>0001: Enable PID Feedback Display  | 0000          | 1                            |

Notes:

1 - Can be modified during run.

2 - Related to factory settings in North America or overseas

3 - Only available in V/F mode

Cont.



19.2 b (Basic) Parameter Details

|             |                                     |   |
|-------------|-------------------------------------|---|
| <b>b000</b> | <b>Run Command Source Selection</b> | <b>0000: Keypad</b><br><b>0001: External terminal control</b><br><b>0002: Communication control</b> |
|-------------|-------------------------------------|---|

- 1.) b000 = 0000: The inverter is controlled by the keypad.
- 2.) b000 = 0001: The inverter is controlled by the external terminals. The Stop key will function as an emergency stop function. (Refer to parameter A010 description).  
*Note: For the safety of personnel and equipment, when b000 = 0001, please refer to parameter group A013, A014, A019 and A018 for a detailed description.*
- 3.) b000 = 0002: The inverter is RS485 communication controlled.

|             |   |  |
|-------------|---|--|
| <b>b001</b> | <b>Operation modes for external terminals</b> | <b>0000: Forward/stop - reverse/stop</b><br><b>0001: Run/stop - forward/reverse</b><br><b>0002: 3-wire control mode - run/stop</b> |
|-------------|---|--|

- 1.) When operation command b000 = 0001 (external terminal), b001 is valid.
- 2.) When operation command b000 = 0001 (external terminal), the stop button is available for emergency stop. (Refer to A010 for detailed description).
- 3.) When both forward and reverse commands are ON, this will result in a stopped mode.

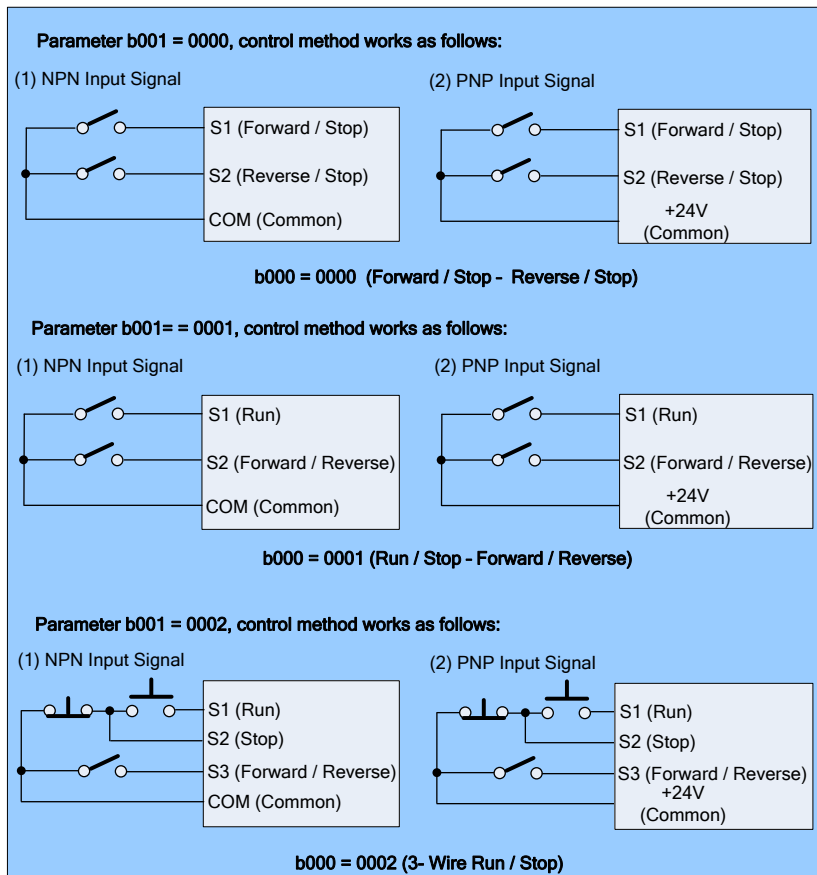


Fig. 19.1

**Notes: 1 - In 3 wire control mode, terminal S1, S2 and S3 is not controlled by A050, A051 and A052.  
 2- When b002 = 0001 reverse is prohibited. (See b002)**

Cont.

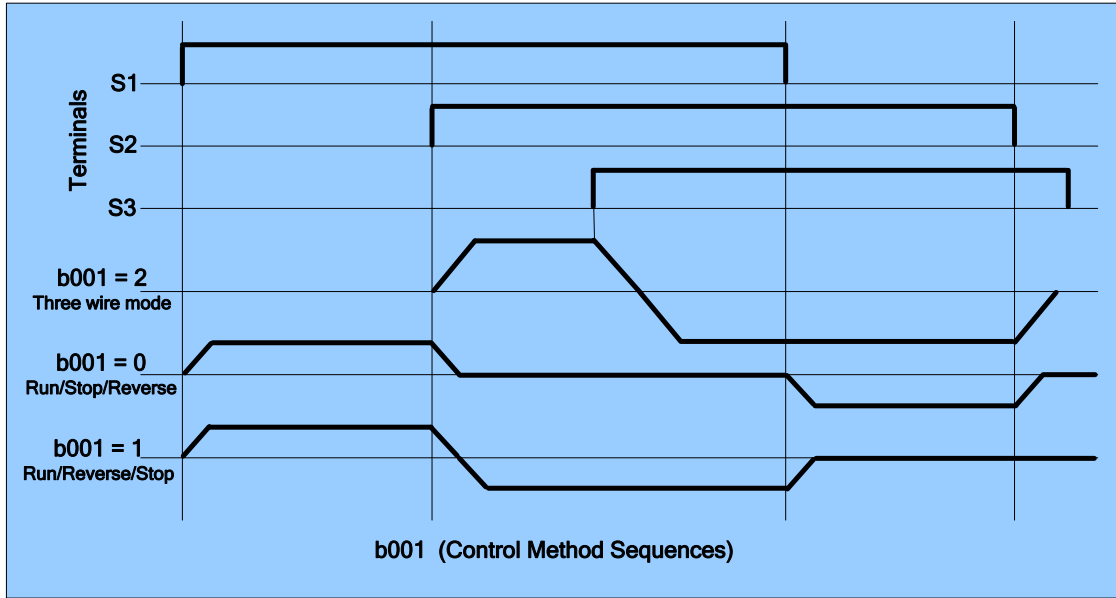


Fig. 19.2

|             |                                |   |
|-------------|--------------------------------|---|
| <b>b002</b> | <b>Disable Reverse Command</b> | <b>0000: Enable Reverse Command</b><br><b>0001: Disable Reverse Command</b> |
|-------------|--------------------------------|---|

b002 = 0001: The reverse command is invalid.

|             |                        |   |
|-------------|------------------------|---|
| <b>b003</b> | <b>Stopping Method</b> | <b>0000: Controlled Deceleration-to- Stop with DC injection Braking (Rapid Stop)</b><br><b>0001: Free run stop (Coast stop)</b> |
|-------------|------------------------|---|

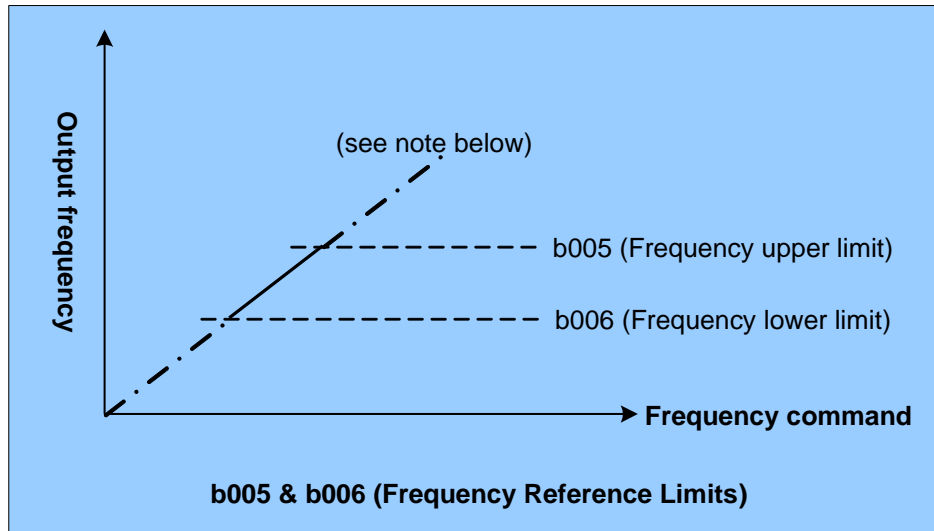
- 1.) b003 = 0000: The inverter will decelerate to 0Hz within the configured deceleration time after receiving a stop command.
- 2.) b003 = 0001: The inverter will stop after receiving a stop command. The motor will coast to stop.

|             |   |   |
|-------------|---|---|
| <b>b004</b> | <b>Frequency Command Source Selection</b> | <b>0000: Keypad</b><br><b>0001: Potentiometer on Keypad</b><br><b>0002: External Analog Signal Input or Remote Potentiometer</b><br><b>0003: Up/Down Frequency Control Using MFIT (S1 - S6)</b><br><b>0004: RS485 Communication</b><br><b>0005: Pulse input (S5) setting frequency (Ver2.3)</b> |
|-------------|---|---|

- 1.) b004 = 0001: If one of the parameters in group A050 - A056 is set to 16 and the multifunction terminal is OFF, the frequency is set by the potentiometer on the keypad. When the multifunction terminal is ON, the frequency is set by the analog signal (auxiliary speed) on terminal block (TM2).
- 2.) b004 = 0002: If one of the parameters in group A050 - A056 is set to 16 and the multifunction terminal is OFF, the frequency is set by the analog signal on terminal block (TM2). When the input is ON, the frequency is set by the potentiometer on the keypad.
- 3.) Please refer to the description of parameter group A050 - A056 (multifunction input terminals) for the Up/Down terminal function.
- 4.) The priority in reading frequency is Jog, preset speed, ▲ ▼ on keypad, Up / Down or communication control.

Cont.

|             |                              |                           |
|-------------|------------------------------|---------------------------|
| <b>b005</b> | <b>Frequency Upper limit</b> | <b>0.01 - 400.00 (Hz)</b> |
| <b>b006</b> | <b>Frequency Lower limit</b> | <b>0.01 - 400.00 (Hz)</b> |



**Fig. 19.3**

*Note: When b006 = 0 Hz and the frequency command is 0 Hz, the inverter will stop at 0 speed. When b006 > 0 Hz and the frequency command ≤ b006, the frequency output will be the b006 preset value.*

**b009** is the parameter for the V/f pattern selection (0 – 18) and will be covered extensively in the **A** (advanced) parameter section.

|             |                                     |                                       |
|-------------|-------------------------------------|---------------------------------------|
| <b>b010</b> | <b>Parameter Lock (except b010)</b> | <b>0000: Disable<br/>0001: Enable</b> |
|-------------|-------------------------------------|---------------------------------------|

b010 = 0000: Disable parameter lock.

b010 = 0001: Enable parameter lock. *Note: Message “LOC” will be displayed if an attempt is made to program when enabled.*

|             |                         |                                       |
|-------------|-------------------------|---------------------------------------|
| <b>b011</b> | <b>Advanced Display</b> | <b>0000: Disable<br/>0001: Enable</b> |
|-------------|-------------------------|---------------------------------------|

b011 = 0000: Disable advanced display.

b011 = 0001: Enable access to advanced functions (A000 - A181).

|             |                           |  |
|-------------|---------------------------|--|
| <b>b012</b> | <b>Language Selection</b> | <b>0000: English<br/>0001: German<br/>0002: French<br/>0003: Italian<br/>0004: Spanish</b> |
|-------------|---------------------------|--|

*Note: The b012 function is only available for products with an LCD keypad (option). The function is not valid for the LED keypad.*

|             |  |   |
|-------------|--|---|
| <b>b013</b> | <b>Motor Current Display Selection</b> | <b>0000: Disable Motor Current Display<br/>0001: Enable Motor Current Display</b> |
|-------------|--|---|

|             |  |   |
|-------------|--|---|
| <b>b014</b> | <b>Motor Voltage Display Selection</b> | <b>0000: Disable Motor Voltage Display<br/>0001: Enable Motor Voltage Display</b> |
|-------------|--|---|

*Cont.*

|             |   |   |
|-------------|---|---|
| <b>b015</b> | <b>DC Bus Voltage Display Selection</b> | <b>0000: Disable Bus Voltage Display</b><br><b>0001: Enable Bus Voltage Display</b> |
|-------------|---|---|

|             |                             |  |
|-------------|-----------------------------|--|
| <b>b016</b> | <b>PID Feedback Display</b> | <b>0000: Disabled</b><br><b>0001: Enable</b> |
|-------------|-----------------------------|--|

- 1.) The keypad displays the PID feedback value when:
  - A140=1(PID is enabled)
  - Parameter A049 = 20 (Terminal AI2 is PID analog feedback).
  - b016=1 (Displays AI2 as PID analog feedback \*value 0 -100)
    - \*If the feedback signal is 0 – 10V the display value = (AI2 / 10V) x100
    - \*If the feedback signal is 0 – 20mA the display value =(AI2 / 20mA) x100
- 2.) Press the DSP key to toggle between the output frequency and PID feedback value.
- 3.) The inverter displays XXXF when in Run mode, and XXXr when stopped.

---

*NOTES:*

**19.3 A (Advanced) Parameter Summary**

Note: The **A** parameters that are referenced in the **Remarks** column to note 9 are only available in Versions **1.3** or later. (See Appendix F for further details)

| Parameter No. | LCD Display      | Description  | Range/Code  | Factory Setting | Remarks |
|---------------|------------------|--|---|-----------------|---------|
| A000          | Control Mode     | Control Mode   | 0000: Vector (General Purpose)<br>0001: Vector (Variable Torque)<br>0002: Volts/Hz  | 0002            |         |
| A001          | Motor Rated Volt | Motor Rated Voltage (Vac)                              | Refer to Appendix B Table for default values  |                 | 5       |
| A002          | Motor Rated Amps | Motor Rated Current (Amp)                              |   |                 | 5       |
| A003          | Motor Rated HP   | Motor Rated Power (HP)                                 |   |                 | 5       |
| A004          | Motor Rated RPM  | Motor Rated Speed (RPM)                                |   |                 | 5       |
| A005          | Motor Rated Hz   | Motor Rated Frequency (Hz)                             |   |                 | 5       |
| A006          | Auto Tuning      | Motor Parameter Auto Tuning                            | 0000: Disabled<br>0001: Enabled   | 0000            |         |
| A007          | AC Input Volt    | AC Line Input Voltage (Vac)                            | 230V SERIES: 170.0 - 264.0<br>460V SERIES: 323.0 - 528.0  |                 |         |
| A008<br>A009  | Reserved         | Reserved   |   |                 |         |
| A010          | Keypad Stop      | Keypad Stop Button (In External Run/Stop Mode)         | 0000: Stop Button Enabled<br>0001: Stop Button Disabled   | 0000            |         |
| A011          | Keypad Up/Down   | Keypad Frequency Setting with Up/Down Keys in Run Mode | 0000: 'Enter' must be pressed after frequency change with Up/Down Keys on keypad.<br>0001: Frequency will be changed directly when Up/Down Keys are pressed.                    | 0000            |         |
| A012          | Starting Method  | Starting Method Selection                              | 0000: Normal Start<br>0001: Enable Speed Search   | 0000            |         |
| A013          | PwrL Selection   | Momentary Power Loss and Restart                       | 0000: Momentary power loss and restart disable<br>0001: Momentary power loss and restart enable<br>0002: Momentary power loss and restart enable while CPU is still powered up. | 0000            |         |
| A014          | PwrL Ridethru T  | Momentary Power Loss Ride-Thru Time (Seconds)          | 0.0 - 2.0   | 0.5             |         |
| A015          | Dir Start Sel    | Direct Run After Power-Up                              | 0000: Enable Direct run after power- up<br>0001: Disable Direct run after power-up  | 0001            |         |
| A016          | Dir Start Delay  | Delay-ON Timer (Seconds)                               | 0.0 - 300.0   | 0.0             |         |
| A017          | Auto Restart     | Auto Restart Method                                    | 0000: Enable Speed Search<br>0001: Normal Start   | 0000            |         |

Cont.

|                      |                    |   |  |      |   |
|----------------------|--------------------|---|--|------|---|
| A018                 | Auto Restart Sel   | Number of Auto Restart Attempts           | 0 - 10   | 0    |   |
| A019                 | Auto Restart Delay | Auto Restart Delay Time (Seconds)         | 0.0 - 800.0  | 0.0  |   |
| A020                 | Reset Mode Sel     | Reset Mode Setting                        | 0000: Enable Reset Only when Run Command is Off<br>0001: Enable Reset when Run Command is On or Off  | 0000 |   |
| A021<br>A022         | Reserved           | Reserved                                  |  |      |   |
| A023                 | S-Curve 1          | S-Curve Acc/Dec #1 (Seconds)              | 0.0 - 4.0  | 0.2  |   |
| A024                 | S-Curve 2          | S-Curve Acc/Dec #2 (Seconds)              | 0.0 - 4.0  | 0.2  |   |
| A025                 | Accel Time 2       | Acceleration Time # 2 (MFIT)* (Seconds)   | 0.1 – 3600.0   | 10.0 | 1 |
| A026                 | Decel Time 2       | Deceleration Time # 2 (MFIT)* (Seconds)   | 0.1 – 3600.0   | 10.0 | 1 |
| A027                 | Jog Acc Time       | Jog Acceleration Time (MFIT)* (Seconds)   | 0.1 - 25.5   | 0.5  | 1 |
| A028                 | Jog Dec Time       | Jog Deceleration Time (MFIT)* (Seconds)   | 0.1 - 25.5   | 0.5  | 1 |
| A029                 | DC Inj Freq        | DC Injection Braking Start Frequency (Hz) | 0.1 - 10.0   | 1.5  |   |
| A030                 | DC Inj Level       | DC Injection Braking Level (%)            | 0.0 – 10.0% (Level 100% by based on Motor Rate Voltage A001)   | 5.0  |   |
| A031                 | DC Inj Time        | DC Injection Braking Time (Seconds)       | 0.0 - 25.5   | 0.5  |   |
| A032                 | Skip Freq 1        | Skip Frequency # 1 (Hz)                   | 0.00 - 400.00  | 0.0  | 1 |
| A033                 | Skip Freq 2        | Skip Frequency # 2 (Hz)                   | 0.00 - 400.00  | 0.0  | 1 |
| A034                 | Skip Freq 3        | Skip Frequency # 3 (Hz)                   | 0.00 - 400.00  | 0.0  | 1 |
| A035                 | Skip Bandwidth     | Skip Frequency Bandwidth (± Hz)           | 0.00 - 30.00   | 0.0  | 1 |
| A036<br>A037<br>A038 | (Reserved)         | Reserved                                  |  |      |   |
| A039                 | Parameter Lock     | Parameter Lock                            | 0000: Enable all Functions<br>0001: A059 – A068 cannot be changed<br>0002: All Functions Except A059 – A068 cannot be changed<br>0003: Disable All Functions | 0000 |   |

\* MFIT refers to Multi-Function Terminal Inputs.

Cont.

|              |                  |  |   |      |          |
|--------------|------------------|--|---|------|----------|
| A040         | Parameter Copy   | Copy Unit                              | 0000: Disable<br>0001: Inverter to Copy Unit<br>0002: Copy Unit to Inverter<br>0003: Verify Copy Operation  | 0000 |          |
| A041         | Fan Control      | Fan Control                            | 0000: Auto (Depend on drive temperature.)<br>0001: Operate while in RUN mode<br>0002: Always Running<br>0003: Always Stopped  | 0000 |          |
| A042         | Energy Save Mode | Energy Saving Mode                     | 0000: Disabled<br>0001: Controlled by MFIT <sup>‡</sup> at Set Frequency  | 0000 | 6        |
| A043         | Energy Save Gain | Energy Saving Gain (%)                 | 0 - 100   | 80   | 6        |
| A044         | Carrier Freq     | Carrier Frequency (kHz)                | 4 - 16  | 10   |          |
| A045         | Display Units    | Custom Units (Line Speed) Display Mode | 0000: Drive Output Frequency is Displayed<br>0001: Line Speed is Displayed as an Integer (xxxx)<br>0002: Line Speed is Displayed with One Decimal Place (xxx.x)<br>0003: Line Speed is Displayed with Two Decimal Places (xx.xx)<br>0004: Line Speed is Displayed with Three Decimal Places (x.xxx) | 0000 | 1        |
| A046         | Display Scaling  | Custom Units (Line Speed) Value        | 0 - 9999  | 1800 | 1        |
| A047<br>A048 | (Reserved)       |  |   |      |          |
| A049         | (AI2 Function)   | AI2 Function Set                       | 20 / 21 / 22  | 20   | <b>7</b> |

Cont.

NOTES:

|      |                 |  |  |         |    |
|------|-----------------|--|--|---------|----|
| A050 | S1 Terminal Sel | Multifunction Input Term. S1   | 0000: Forward/Stop Command<br>0001: Reverse/Stop Command<br>0002: Frequency Command 2 (A062)<br>0003: Frequency Command 3 (A063)<br>0004: Frequency Command 4 (A065)<br>0005: Jog<br>0006: Acc/Dec # 2 | 0000    | *7 |
| A051 | S2 Terminal Sel | Multifunction Input Term. S2   | 0007: Emergency Stop A Contact<br>0008: Base Block A Contact<br>0009: Speed Search<br>0010: Energy Saving<br>0011: Control Signal Selection<br>0012: Communication Selection                           | 0001    |    |
| A052 | S3 Terminal Sel | Multifunction Input Term. S3   | 0013: Acc/Dec Disabled<br>0014: Up Command<br>0015: Down Command<br>0016: Master/Auxiliary Speed<br>0017: PID Function Disabled  | 0002    |    |
| A053 | S4 Terminal Sel | Multifunction Input Term. S4   | 0018: Reset<br>0019: Pulse Input terminal ( terminal S5 )  | 0003    |    |
| A054 | S5 Terminal Sel | Multifunction Input Term. S5   | 0020: PID feedback signal AI2 ( terminal *AI2)<br>0021: AI2 Bias signal 1 input ( terminal *AI2)   | 0004    |    |
| A055 | S6 Terminal Sel | Multifunction Input Term. S6   | 0022: AI2 Bias signal 2 input ( terminal *AI2)<br>0023: Analog input (terminal AIN)  | 0018    |    |
| A056 | AIN Term Sel    | Multifunction Input Term. AIN  | 0024: Multi-Sequence Control<br>*0025: Emergency Stop B Contact (NC)<br>*0026: Base Block B Contact (NC)   | 0023    |    |
| A057 | Term Scan Time  | Multifunction Input Term. S1 - S6<br>Signal Verification Scan Time (mSec X 4 ) | 1 – 100 (4-400msec)  | 5(20ms) |    |

Cont.

NOTES:



|              |                  |                                      |   |       |   |
|--------------|------------------|--------------------------------------|---|-------|---|
| A058         | Up/Dn Stop Mode  | Stop Mode Using Up/Down              | 0000: When the terminals are Programmed for Up/Down Frequency Control, the Set Frequency will remain when the Drive stops. When the Drive stops, Up/Down Function Disabled.<br>0001: Up/Down is used. The preset frequency is reset to 0 Hz as the inverter stops.<br>0002: When the terminals are Programmed for Up/Down Frequency Control, the Set Frequency will remain when the Drive stops. When the Drive stops, Up/Down Function is Enabled. | 0000  |   |
| A059         | Jog Freq         | Jog Frequency (Hz)                   | 0.00 - 400.00   | 2.00  | 1 |
| A060         | Up/Down Step Fnc | Up/Down Step Function (Hz)           | 0.00 – 5.00   | 0.00  |   |
| A061         | Freq command 1   | Frequency Command 1 (Hz)             | 0.00 - 400.00   | 5.00  | 1 |
| A062         | Freq command 2   | Frequency Command 2 (Hz)             | 0.00 - 400.00   | 5.00  | 1 |
| A063         | Freq command 3   | Frequency Command 3 (Hz)             | 0.00 - 400.00   | 10.00 | 1 |
| A064         | Freq command 4   | Frequency Command 4 (Hz)             | 0.00 - 400.00   | 20.00 | 1 |
| A065         | Freq command 5   | Frequency Command 5 (Hz)             | 0.00 - 400.00   | 30.00 | 1 |
| A066         | Freq command 6   | Frequency Command 6 (Hz)             | 0.00 - 400.00   | 40.00 | 1 |
| A067         | Freq command 7   | Frequency Command 7 (Hz)             | 0.00 - 400.00   | 50.00 | 1 |
| A068         | Freq command 8   | Frequency Command 8 (Hz)             | 0.00 - 400.00   | 60.00 |   |
| A069<br>A070 | Reserved         | Reserved                             |   |       |   |
| A071         | Auto_ Run Sel 1  | Auto_ Run Mode Operation Selection 1 | (0-3600 sec)  | 0000  |   |
| A072         | Auto_ Run Sel 2  | Auto_ Run Mode Operation Selection 2 |   |       |   |
| A073         | Auto_ Run Sel 3  | Auto_ Run Mode Operation Selection 3 |   |       |   |
| A074         | Auto_ Run Sel 4  | Auto_ Run Mode Operation Selection 4 |   |       |   |
| A075         | Auto_ Run Sel 5  | Auto_ Run Mode Operation Selection 5 |   |       |   |

Cont.

|              |                  |  |  |      |  |
|--------------|------------------|--|--|------|--|
| A076         | Auto_Run Sel 6   | Auto_Run Mode Operation Selection 6      | (0-3600 sec)   | 0000 |  |
| A077         | Auto_Run Sel 7   | Auto_Run Mode Operation Selection 7      |  |      |  |
| A078         | Auto_Run Sel 8)  | Auto_Run Mode Operation Selection 8      |  |      |  |
| A079<br>A080 | (Reserved)       | Reserved                                 |  |      |  |
| A081         | Auto_Run Stop 1  | Auto_Run Stop 1                          | 0000: STOP<br>0001: Forward<br>0002: Reverse   | 0000 |  |
| A082         | Auto_Run Stop 2  | Auto_Run Stop 2                          |  |      |  |
| A083         | Auto_Run Stop 3  | Auto_Run Stop 3                          |  |      |  |
| A084         | Auto_Run Stop 4  | Auto_Run Stop 4                          |  |      |  |
| A085         | Auto_Run Stop 5  | Auto_Run Stop 5                          |  |      |  |
| A086         | Auto_Run Stop 6  | Auto_Run Stop 6                          |  |      |  |
| A087         | Auto_Run Stop 7  | Auto_Run Stop 7                          |  |      |  |
| A088         | Auto_Run Stop 8  | Auto_Run Stop 8                          |  |      |  |
| A089<br>A090 | (Reserved)       | Reserved                                 |  |      |  |
| A091         | Auto Run Invalid | Operation Mode Selection During Auto Run | 0000: Auto Run mode not effective<br>0001: Auto Run mode for cycle. (continue running from the unfinished step if restarting)<br>0002: Auto Run mode performed periodically (continue running from the unfinished step if restarting)<br>0003: Auto Run mode for cycle, then hold the speed of final step to run. (continue running from the unfinished step if restarting)<br>0004: Auto Run mode for cycle. (starting a new cycle if restarting)<br>0005: Auto Run mode be performed periodically (starting a new cycle if restarting)<br>0006: Auto Run mode for one single cycle, then hold the speed of final step to run. (starting a New cycle if restarting) | 0000 |  |

Cont.

|              |                  |   |  |       |        |
|--------------|------------------|---|--|-------|--------|
| A092         | AIN Gain         | AIN Gain (%)  | 0 - 200  | 100   | 1      |
| A093         | AIN Offset       | AIN Bias (%)  | 0 - 100  | 0     | 1      |
| A094         | AIN Bias         | AIN Bias Selection                                      | 0000: Positive<br>0001: Negative   | 0000  | 1      |
| A095         | AIN Slope        | AIN Slope   | 0000: Positive<br>0001: Negative   | 0000  | 1      |
| A096         | AIN Scan Time    | AIN Signal Verification Scan Time (AIN, AI2) (mSec x 2) | 1 - 100  | 50    |        |
| A097         | AI2 Gain         | AI2 Gain (%)*(AI2)                                      | 0 - 200  | 100   | 1 & *7 |
| A098         | Pulse Inp. Mult. | Encoder Impulse Ratio                                   | 0.001 - 9.999  | 1.000 |        |
| A099         | Ref. Source2     | Select the source of auxiliary frequency command        | 0 - 4  | 0     |        |
| A100<br>A102 | Reserved         | Reserved  |  |       |        |
| A103         | AO Mode Sel      | Analog Output Voltage Mode (0 - 10 VDC, Term. FM+)      | 0000: Output Run Frequency<br>0001: Input Frequency Setting<br>0002: Output Voltage<br>0003: DC Voltage<br>0004: Output Current<br>0005: PID Feedback  | 0000  | 1      |
| A104         | AO Gain          | Analog Output Gain (%)                                  | 0 - 200  | 100   | 1      |
| A105         | Relay R1 Sel     | Output Relay R1 Operation Mode                          | 0000: Run<br>0001: Frequency Reached (Frequency Command) (Set Frequency $\pm$ A108)<br>0002: Set Frequency (A107 $\pm$ A108)<br>0003: Frequency Threshold Level (> A107) - Frequency Reached<br>0004: Frequency Threshold Level (< A107) - Frequency Reached<br>0005: Over torque Threshold Level<br>0006: Fault<br>0007: Auto Restart<br>0008: Momentary AC Power Loss<br>0009: Emergency Stop Mode<br>0010: Coast-to-Stop Mode<br>0011: Motor Overload Protection<br>0012: Drive Overload Protection<br>0013: PID Feedback Signal Loss<br>0014: Power on<br>0015: Under torque Threshold Level | 0006  |        |
| A106         | Relay R2 Sel     | Output Relay R2 Operation Mode                          |  | 0000  |        |

Cont.

|              |                    |   |  |      |   |
|--------------|--------------------|---|--|------|---|
| A107         | Freq Agree         | Frequency Reached (Hz) (Refer to A105: 0001)            | 0.00 - 400.00  | 0.00 | 1 |
| A108         | Freq Agree width   | Frequency Reached Bandwidth ( $\pm$ Hz)                 | 0.00 - 30.00   | 2.00 | 1 |
| A109<br>A110 | Reserved           | Reserved  |  |      |   |
| A111         | Trip Prevent – ACC | Trip Prevention Selection During Acceleration           | 0000: Enable Trip Prevention During Acceleration<br>0001: Disable Trip Prevention During Acceleration  | 0000 |   |
| A112         | Trip ACC Level     | Trip Prevention Level During Acceleration (%)           | 50 – 300 (Level 100% based on Motor HP setting A003)   | 200  |   |
| A113         | Trip Prevent - DEC | Trip Prevention Selection During Deceleration           | 0000: Enable Trip Prevention During Deceleration<br>0001: Disable Trip Prevention During Deceleration  | 0000 |   |
| A114         | Trip DEC Level     | Trip Prevention Level During Deceleration (%)           | 50 – 300 (Level 100% based on Motor HP setting A003)   | 200  |   |
| A115         | Trip Prevent - RUN | Trip Prevention Selection in Run Mode                   | 0000: Enable Trip Prevention in Run Mode<br>0001: Disable Trip Prevention in Run Mode  | 0000 |   |
| A116         | Trip Run Level     | Trip Prevention Level In Run Mode (%)                   | 50 - 300 (Level 100% based on Motor HP setting A003)   | 200  |   |
| A117         | Dec Trip Time      | Trip Prevention Deceleration Time Selection in Run Mode | 0000: Trip Prevention Deceleration Time Set by B008<br>0001: Trip Prevention Deceleration Time Set by A118   | 0000 |   |
| A118         | Dec Trip Time      | Deceleration Time In Trip Prevention Mode (Seconds)     | 0.1 – 3600.0   | 3.0  |   |
| A119         | Motor OL1 Sel      | Electronic Motor Overload Protection Operation Mode     | 0000: Enable Electronic Motor Overload Protection<br>0001: Disable Electronic Motor Overload Protection  | 0000 |   |
| A120         | Motor Type         | Motor type Selection                                    | 0000: Electronic Motor Overload Protection Set for Non-Inverter Duty Motors<br>0001: Electronic Motor Overload Protection Set for Inverter Duty Motors | 0000 |   |
| A121         | Motor OL1 Curve    | Motor Overload Protection Curve Selection               | 0000: Curve A (OL =103 %) (150 % for 1 Minute)<br>0001: Curve B (OL = 113 %) (123 % for 1 Minute)  | 0000 |   |
| A122         | Motor OL1 Operat   | Operation After Overload Protection is Activated        | 0000: Coast-to-Stop After Overload Protection is Activated<br>0001: Drive Will Not Trip when Overload Protection is Activated (OL1)                    | 0000 |   |

Cont.

|              |                  |  |   |                 |       |
|--------------|------------------|--|---|-----------------|-------|
| A123         | Torq Det Sel     | Over/Under torque Detection Selection                    | 0000: Disable Over/Under torque Operation<br>0001: Enable Over/Under torque Operation Only if at Set Frequency<br>0002: Enable Over/Under torque Operation while the Drive is in Run Mode | 0000            |       |
| A124         | Torq Det Res     | Operation After Over/Under torque Detection is Activated | 0000: Drive will Continue to Operate After Over-torque is Activated<br>0001: Coast-to-Stop After Over-Torque is Activated   | 0000            |       |
| A125         | Torq Hi Level    | Over-torque Threshold Level (%)                          | 30 – 200 (Level 100% based by Motor HP A003)  | 150             |       |
| A126         | Torq Hi Delay    | Over-torque Activation Delay Time (Seconds)              | 0.0 - 25.0  | 0.1             |       |
| A127         | Torq Lo Level    | Under-torque Threshold Level (%)                         | 30-200 (Level 100% based by Motor HP A003)  | 0               |       |
| A128         | Torq Reserv Time | Under-torque Activation Delay Time (Seconds)             | 0.0 – 25.0  | 0.1             |       |
| A129         | Torque Boost     | Volts/Hz Curve Modification (Torque Boost) (%)           | 0 – 50.0  | 0.0             | 1 & 6 |
| A130         | Motor noLoad Amp | Motor No Load Current (Amps AC)                          | -----   | 0               | 5 & 6 |
| A131         | Motor rated Slip | Motor Slip Compensation (%)                              | 0.0 – 100.0   | 0.0             | 1 & 6 |
| A132         | Max frequency    | Maximum Frequency (Hz)                                   | 0.20 - 400.00   | 50.00/<br>60.00 | 4 & 6 |
| A133         | Max Voltage      | Maximum Frequency Voltage Ratio (%)                      | 0.0 - 100.0 (100% based on AC Input Volt A007)  | 100.0           | 6     |
| A134         | Mid frequency    | Mid Frequency (Hz)                                       | 0.10 - 400.00   | 25.00/<br>30.00 | 4 & 6 |
| A135         | Mid Voltage      | Mid Frequency Voltage Ratio (%)                          | 0.0 - 100.0 (100% based on AC Input Volt A007)  | 50.0            | 6     |
| A136         | Min frequency    | Minimum Frequency (Hz)                                   | 0.10 - 400.00   | 0.50/ 0.60      | 6     |
| A137         | Min Voltage      | Minimum Frequency Voltage Ratio (%)                      | 0.0 - 100.0 (100% based on AC Input Volt A007)  | 1.0             | 6     |
| A138<br>A139 | (Reserved)       | Reserved   |   |                 |       |

Cont.

|      |                  |  |  |      |   |
|------|------------------|--|--|------|---|
| A140 | PID Mode Sel     | Mode Selection   | 0000: Disabled<br>0001: Bias D Control<br>0002: Feedback D Control<br>0003: Bias D Reversed Characteristics Control<br>0004: Feedback D Reversed Characteristics Control<br>0005: Frequency Command + Bias D Control<br>0006: Frequency Command + Feedback D Control<br>0007: Frequency Command + Bias D Reversed Characteristics Control<br>0008: Frequency Command + Feedback D Reversed Characteristics Control | 0000 |   |
| A141 | Feedback Gain    | Feedback Gain  | 0.00 - 10.00   | 1.00 | 1 |
| A142 | PID Gain         | Proportional Gain  | 0.0 - 10.0   | 1.0  | 1 |
| A143 | PID I Time       | Integration Time (Seconds)   | 0.0 - 100.0  | 10.0 | 1 |
| A144 | PID D Time       | Differentiation Time (Seconds)   | 0.00 - 10.00   | 0.00 | 1 |
| A145 | PID Offset       | PID Offset   | 0000: Positive<br>0001: Negative   | 0000 | 1 |
| A146 | PID Offset Adj   | PID Offset Adjust (%)  | 0 - 109  | 0    | 1 |
| A147 | Output Filter T  | Output Lag Filter Time (Seconds)   | 0.0 - 2.5  | 0.0  | 1 |
| A148 | Fdbk Sel         | Feedback Loss Detection Mode   | 0000: Disabled<br>0001: Enabled - Drive Continues to Operate After Feedback Loss<br>0002: Enabled - Drive "STOPS" After Feedback Loss  | 0000 |   |
| A149 | Fdbk Lvl         | Feedback Loss Detection Level (%)  | 0 - 100  | 0    |   |
| A150 | Fdbk Loss Time   | Feedback Loss Detection delay Time (Seconds)                               | 0.0 - 25.5   | 1.0  |   |
| A151 | PID I Limit      | Integration Limit Value (%)  | 0 - 109  | 100  | 1 |
| A152 | I Time value Sel | Integration Value Resets to Zero when Feedback Signal equals the set point | 0000: Disabled<br>0001:1 Second<br>0030:30 Seconds   | 0000 |   |
| A153 | I Error Margin   | Allowable integration Error Margin (Units) (1 Unit = 1/8192)               | 0 - 100  | 0    |   |

Cont.

|      |                            |  |   |       |                            |
|------|----------------------------|--|---|-------|----------------------------|
| A154 | AIN AI2 Source             | AIN or AI2 Source signal                                   | 0000: AIN = 0 -10V or 0 - 20mA<br>AI2 = 0 -10V or 0 - 20mA<br>0001: AIN = 0 -10V or 0 - 20mA<br>AI2 = 2 -10V or 4 - 20 mA<br>0002: AIN = 2 -10V or 4 - 20 mA<br>AI2 = 0 -10V or 0 - 20mA<br>0003: AIN = 2 -10V or 4 - 20 mA<br>AI2 = 2 -10V or 4 - 20 mA  | 0000  | <b>7</b>                   |
| A155 | Sleep Level                | Sleep Function Operation Level                             | 0.00 - 400.00   | 0.0   |                            |
| A156 | Sleep Delay Time           | Sleep Function Delay Time                                  | 0.0 - 25.5  | 0.0   |                            |
| A157 | Unit : NONE                | Engineering Unit (only for PID Feedback used for LCD type) | 0000 : NONE<br>0001 : FPM (feet per minute)<br>0002 : CFM (cubic feet per minute)<br>0003 : PSI (pounds per square inch)<br>0004 : GPH (gallons per hour)<br>0005 : GPM (gallons per minute)<br>0006 : in<br>0007 : ft<br>0008 : /s (units per second)<br>0009 : /m (units per minute)<br>0010 : /h (units per hour)<br>0011 : Deg F<br>0012 : inW (inches in water column)<br>0013 : HP<br>0014 : m/s (meters per second)<br>0015 : MPM (meters per minute)<br>0016 : CMM (cubic meters per minute)<br>0017 : W<br>0018 : kW<br>0019 : m<br>0020 : Deg C<br>0021 : %<br>0022 : rpm | 0000  |                            |
| A158 | PID Fdbk Dsp Max           | PID Feedback Display Unit Max                              | 0-9999  | 1000  | <i>Only for LCD keypad</i> |
| A159 | PID Fdbk Dsp Min           | PID Feedback Display Unit Min                              | 0-9999  | 0     | <i>Only for LCD keypad</i> |
| A160 | Reserved                   | Reserved   |   |       |                            |
| A161 | Comm Error Operation Sel   | Communications time-out operation selection                | 0000: Deceleration to stop.<br>(b008: Deceleration time 1)<br>0001: Coast to stop.<br>0002: Deceleration to stop.<br>(A026: Deceleration time 2)<br>0003: Continue operating.   | 0000  | <b>7</b>                   |
| A162 | Comm Error detection time. | Communications time-out detection time.                    | 00.0 - 25.5 Sec.  | 00.00 | <b>7</b>                   |
| A163 | Se Comm Adr                | Assigned Communication Station Number                      | 1 - 254   | 1     | 2                          |

Cont.

|              |                  |  |  |       |   |
|--------------|------------------|--|--|-------|---|
| A164         | Se Baud Rate     | Baud Rate Setting (bps)                    | 0000: 4800<br>0001: 9600<br>0002: 19200<br>0003: 38400                         | 0003  | 2 |
| A165         | Comm Stop Bit    | Stop Bit Selection                         | 0000: 1 Stop Bit<br>0001: 2 Stop Bits  | 0000  | 2 |
| A166         | Comm Parity Sel  | Parity Selection                           | 0000: Without Parity<br>0001: With Even Parity<br>0002: With Odd Parity        | 0000  | 2 |
| A167         | Comm Data Format | Data Format Selection                      | 0000: 8-Bits Data<br>0001: 7-Bits Data   | 0000  | 2 |
| A168         | Stator Resistor  | Stator Resistance (Ohms)                   | Refer to Appendix B Table for default values                                   |       | 5 |
| A169         | Rotor Resistor   | Rotor Resistance (Ohms)                    |  |       | 5 |
| A170         | Equi Inductance  | Equivalent Inductance (mH)                 |  |       | 5 |
| A171         | Magnet Current   | Magnetizing Current (Amps AC)              |  |       | 5 |
| A172         | Ferrite Loss     | Ferrite Loss Conductance (gm)              |  |       | 5 |
| A173<br>A174 | Reserved         | Reserved                                   |  |       |   |
| A175         | Drive Model      | Drive Horsepower Code                      | -----  |       | 3 |
| A176         | Software Version | Software Version                           | -----  | ----- | 3 |
| A177         | Fault Log        | Fault Jog (Last 3 Faults)                  | -----  | ----- | 3 |
| A178         | Elapsed Hours    | Accumulated Operation Time (Hours)         | 0 - 9999   | ----- | 3 |
| A179         | Elapsed Hr*10000 | Accumulated Operation Time (Hours X 10000) | 0 - 27   | ----- | 3 |
| A180         | Elapsed Time Sel | Accumulated Operation Time Mode            | 0000: Time Under Power<br>0001: Run Time                                       | 0000  |   |
| A181         | Reset Parameter  | Reset Drive to Factory Settings            | 1110: Reset for 50 Hz Motor Operation<br>1111: Reset for 60 Hz Motor Operation | 0000  | 4 |

- Notes:
- 1 - Can be modified during run.
  - 2 - Cannot be modified while communication is active.
  - 3 - Value does not get set back to factory default after a factory reset. (See parameter A181)
  - 4 - Related to factory setting in North America or overseas.
  - 5 - The factory default value can be changed manually, or is changed automatically if required by auto-tuning.
  - 6 - Only available in V/F mode.
  - 7 - Valid only for Versions 1.3 and higher. (For further information see Appendix F)



19.4 A (Advanced) Parameter Details


|             |                     |  |
|-------------|---------------------|--|
| <b>A000</b> | <b>Control Mode</b> | <b>0000: Vector mode (General Mode)</b><br><b>0001: Vector mode (VT Mode)</b><br><b>0002: V/F mode</b> |
|-------------|---------------------|--|

Select the appropriate vector control mode or V/F mode in accordance with the load characteristics.

- 1.) Vector (general mode) is best suited to control general loads or rapidly-changed torque loads.
- 2.) Vector (VT mode) is suitable for Fan and Pump loads. The magnetizing current of the motor will vary with the torque, which will reduce the average current and save energy.
- 3.) If V/F mode is selected, set parameters, b009 and A129 - A137 in accordance with the load characteristics.

|             |  |   |
|-------------|--|---|
| <b>A001</b> | <b>Motor Rated Voltage(Vac)</b>  | <b>Vac</b>                                    |
| <b>A002</b> | <b>Motor Rated Current (A)</b>   | <b>Amps</b>                                   |
| <b>A003</b> | <b>Motor Rated Power (kW)</b>  | <b>Killowatts</b>                             |
| <b>A004</b> | <b>Motor Rated Speed (RPM)</b><br><b>(A004 X100 = Motor Rated Speed)</b> | <b>RPM</b>                                    |
| <b>A005</b> | <b>Motor Rated Frequency (Hz)</b>  | <b>Hz</b>                                     |
| <b>A006</b> | <b>Motor Parameter Auto Tuning</b>                                       | <b>0000: Disabled</b><br><b>0001: Enabled</b> |

- 1.) Whenever the vector mode is selected, the motor nameplate data must be input to parameters A001 – A005.
- 2.) The Auto tuning is performed by setting A006=0001. The detected internal data will automatically be written to parameters A168 to A172 when the display shows “End”.  
*Ex. If the motor rated speed is 1700 rpm, set A004 to 17.0*

|  |
|--|
|  <b>Caution</b>   |
| <ol style="list-style-type: none"> <li>1. The motor parameter auto tuning is stationary auto tuning. During motor auto tuning, the motor does not rotate, and the keypad displays “-AT-”.</li> <li>2. During motor parameter auto tuning, the input signal in the control circuit is invalid.</li> <li>3. Before motor parameter auto tuning, confirm that the motor is stopped.</li> <li>4. The motor parameter auto tuning is only available for vector control modes (A000 = 0000 or A000 = 0001).</li> </ol> |

|             |                                      |  |
|-------------|--------------------------------------|--|
| <b>A007</b> | <b>AC Line Input Voltage (Volts)</b> | <b>230V Series : 170.0 - 264.0 Vac</b><br><b>460V Series : 323.0 - 528.0 Vac</b> |
|-------------|--------------------------------------|--|

To accurately represent the voltage level of the inverter, input the actual measured line voltage.

|             |                           |   |
|-------------|---------------------------|---|
| <b>A010</b> | <b>Keypad Stop Button</b> | <b>0000: Stop Button Enable</b><br><b>0001: Stop Button Disable</b> |
|-------------|---------------------------|---|

When A010 = 0000, the STOP key is available on the keypad to activate a stop regardless of the drive Run source as per parameter b000.

|             |   |  |
|-------------|---|--|
| <b>A011</b> | <b>Keypad Operation with Up/Down Keys in Run Mode</b> | <b>0000: ‘Enter’ must be pressed after frequency changes with the Up/Down Keys on keypad to save selection.</b><br><b>0001: Frequency will be changed directly when Up/Down Keys are Pressed</b> |
|-------------|---|--|

|             |                                  |   |
|-------------|----------------------------------|---|
| <b>A012</b> | <b>Starting Method Selection</b> | <b>0000: Normal Start</b><br><b>0001: Enable Speed Search</b> |
|-------------|----------------------------------|---|

- 1.) A012 = 0000: At start, the inverter accelerates from 0 to the target frequency in the set time.
- 2.) A012 = 0001: At start, the inverter accelerates to the target the frequency from the detected speed of the motor.

|             |   |   |
|-------------|---|---|
| <b>A013</b> | <b>Momentary Power Loss and Restart</b>             | <b>0000: Momentary Power Loss and Restart Disable</b><br><b>0001: Momentary Power Loss and Restart is Enabled</b><br><b>0002: Momentary Power Loss and Restart Enable while CPU is Operating.</b> |
| <b>A014</b> | <b>Momentary Power Loss Ride-Thru Time(seconds)</b> | <b>0.0 - 2.0 sec.</b>   |

- 1.) If the input voltage drops below the under voltage threshold level, the motor inverter will coast to stop. If the input voltage recovers within the A014 preset time, the motor will spin start from the trip frequency, or the inverter will trip with 'LV-C' being displayed.
- 2.) The allowable power loss time differs with ratings of the various models. The range is from 1 to 2 seconds.
- 3.) A013 = 0000: If power is lost, the inverter will not start.
- 4.) A013 = 0001: If the power loss time is less than the value of A014 the inverter will Spin Start in 0.5 second when the power is re-supplied, and the number of restart times is unlimited.
- 5.) A013 = 0002: if the power is lost but is reapplied *before* the inverter loses control power, the inverter will restart according to the settings of b000, and A017 and the status of the external switch.

*Note: If b000=0001, A017=0000 and A013=0001 or 0002 and power is lost for an extended time, disconnect the power to the drive to avoid injury to personnel and equipment when power is re-applied.*

|             |                                  |   |
|-------------|----------------------------------|---|
| <b>A015</b> | <b>Direct run after power up</b> | <b>0000: Enable Direct Run After Power Up</b><br><b>0001: Disable Direct Run After Power Up</b> |
|-------------|----------------------------------|---|

**! Danger**

|  |
|--|
| <ol style="list-style-type: none"> <li>1.) A015 = 0000: If the inverter is set to external terminal control (b000 = 0001), the inverter will auto-start if the run switch is ON when power is applied. It is recommended that the run switch be turned to OFF to avoid injury to personnel or equipment when power is applied.</li> <li>2.) A015 = 0001: If the inverter is set external terminal control (b000 = 0001), the inverter will not auto-start if the run switch is ON when power is applied and the display will flash 'STP1'. In this case it is necessary to disconnect power and turn the run switch OFF and then restart.</li> </ol> |
|--|

|             |                                 |                       |
|-------------|---------------------------------|-----------------------|
| <b>A016</b> | <b>Delay-ON Timer (seconds)</b> | <b>0 - 300.0 sec.</b> |
|-------------|---------------------------------|-----------------------|

On power up with A015 = 0000, the inverter will perform auto restart after the delay time selected by A016.

|             |                            |   |
|-------------|----------------------------|---|
| <b>A017</b> | <b>Auto restart method</b> | <b>0000: Enable Speed Search</b><br><b>0001: Normal Start</b> |
|-------------|----------------------------|---|

- 1.) A017 = 0000: The inverter will detect motor speed and accelerate to the set frequency.
- 2.) A017 = 0001: The inverter will accelerate from stop (zero speed) to set frequency.

|             |  |                       |
|-------------|--|-----------------------|
| <b>A018</b> | <b>Number of Auto restart Attempts</b>   | <b>0 - 10 times</b>   |
| <b>A019</b> | <b>Auto restart Delay Time (seconds)</b> | <b>0 - 800.0 sec.</b> |

- 1.) A018 = 0: The inverter will not auto restart after fault trip.

*Cont.*

- 2.) A018>0 and A019 = 0: The inverter will conduct a spin start 0.5 seconds after fault trip. The motor will run to the frequency at the trip point and then to set frequency at the selected acceleration and deceleration times.
- 3.) A018>0 and A019>0: the output will be stopped for a period which is determined by parameter A019 after a trip fault. Then, the inverter will spin start to the preset frequency.
- 4.) If the inverter is set to braking mode, it will not perform a restart after a trip fault.

|             |                                 |   |
|-------------|---------------------------------|---|
| <b>A020</b> | <b>Error reset mode setting</b> | <b>0000: Enable Reset Only when Run Command is Off</b><br><b>0001: Enable Reset when Run Command is On or Off</b> |
|-------------|---------------------------------|---|

A020 = 0000: If the inverter trips on a fault turn the Run switch OFF to perform a reset, or restarting will not occur unless power is cycled.

|             |   |   |
|-------------|---|---|
| <b>b007</b> | <b>Acceleration Time #1 (seconds)</b>                 | <b>0.1 – 3600.0 sec.</b>                              |
| <b>b008</b> | <b>Deceleration Time #1 (seconds)</b>                 | <b>0.1 – 3600.0 sec.</b>                              |
| <b>A023</b> | <b>S Curve of First Acceleration Stage (seconds)</b>  | <b>0.0 – 4.0 sec.</b>                                 |
| <b>A024</b> | <b>S Curve of Second Acceleration Stage (seconds)</b> | <b>0.0 – 4.0 sec.</b>                                 |
| <b>A025</b> | <b>Acceleration Time #2 (seconds)</b>                 | <b>0.1 – 3600.0 sec.</b>                              |
| <b>A026</b> | <b>Deceleration Time #2 (seconds)</b>                 | <b>0.1 – 3600.0 sec. for Emergency Stop reference</b> |
| <b>A027</b> | <b>Jog Acceleration Time(seconds)</b>                 | <b>0.1 – 25.5 sec.</b>                                |
| <b>A028</b> | <b>Jog Deceleration Time (seconds)</b>                | <b>0.1 – 25.5 sec.</b>                                |

- 1.) Formula for calculating acceleration and deceleration time: The denominator is based on the rated frequency of the motor (A005).

$$\text{Acceleration time} = b007 \text{ (or A025)} \times \frac{\text{Preset frequency}}{A005} \quad \text{Deceleration time} = b008 \text{ (or A026)} \times \frac{\text{Preset frequency}}{A005}$$

- 2.) When A050 – A056 = 0006 (the second acceleration and deceleration time), the first acceleration / deceleration / S curve or the second acceleration / deceleration / S curve will be set by the external input terminal.
- 3.) When A050 – A056 = 0005 (Jog), Jog run is controlled by external terminals. The acceleration and deceleration action will be at Jog acceleration and deceleration times.
- 4.) When the external terminals select A050 – A056 to = 0005 (Jog) and 0006 (acceleration and deceleration time the resulting control of the accelerating and decelerating times are prioritized as follows.

| Function                             | Acc/ Dec time 1<br>(b007 / b008)            | Acc/ Dec time 2<br>(A025 / A026)            | JOG Acc/Dec time<br>(A027 / A028) |
|--------------------------------------|---|---|-----------------------------------|
| <b>Preset value</b>                  | b004 determines the output frequency source | b004 determines the output frequency source | A059 determines the Jog frequency |
| A050 - A056 = 0005<br>Jog command    | Off   | Off   | On                                |
| A050 - A056 = 0006<br>Acc/Dec time 2 | Off   | On  | Off                               |

- 5.) When the S curve time (A023 / A024) is set to 0 sec., the acceleration and deceleration ramps are linear.
- 6.) When S curve time (A023 / A024) is greater than 0 sec., the acceleration and deceleration action is as shown in Fig.19.4.).
- 7.) Regardless of the stall prevention period, the actual acceleration and deceleration time = preset acceleration / deceleration time + S curve time. For example: acceleration time = b008 + A023.

Cont.

8.) During the acceleration and deceleration process, there may be a residual error in Acceleration and deceleration toggling. If you need to toggle the acceleration and deceleration time during the acceleration / deceleration process, set the S curve time (A023 / A024) = 0 sec.

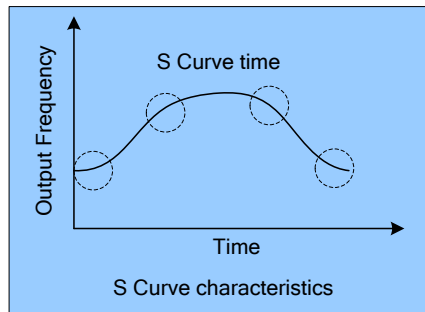


Fig. 19.4

|             |  |                        |
|-------------|--|------------------------|
| <b>A029</b> | <b>DC Injection Brake Start Frequency (Hz)</b> | <b>0.1 – 10.0 Hz</b>   |
| <b>A030</b> | <b>DC Injection Brake Level (%)</b>            | <b>0.0 – 10.0 %</b>    |
| <b>A031</b> | <b>DC Injection Brake Time (seconds)</b>       | <b>0.0 – 25.5 sec.</b> |

A031 and A029 is the active time and start frequency respectively of DC braking as shown below.

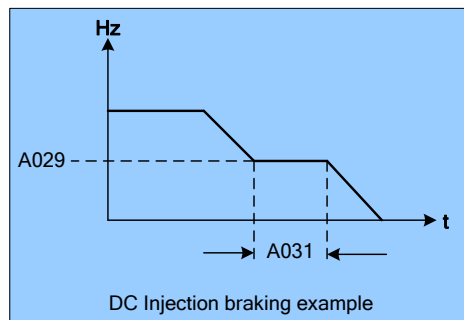


Fig. 19.5

|             |  |                          |
|-------------|--|--------------------------|
| <b>A032</b> | <b>Skip Frequency #1 (Hz)</b>          | <b>0.00 – 400.00 Hz</b>  |
| <b>A033</b> | <b>Skip Frequency #2 (Hz)</b>          |                          |
| <b>A034</b> | <b>Skip Frequency #3 (Hz)</b>          |                          |
| <b>A035</b> | <b>Skip Frequency Bandwidth (± Hz)</b> | <b>0.00 – 30.00 ± Hz</b> |

Example: A032 = 10.0Hz, A033 = 20.0 Hz, A034 = 30.0 Hz and A035 to 2.0Hz

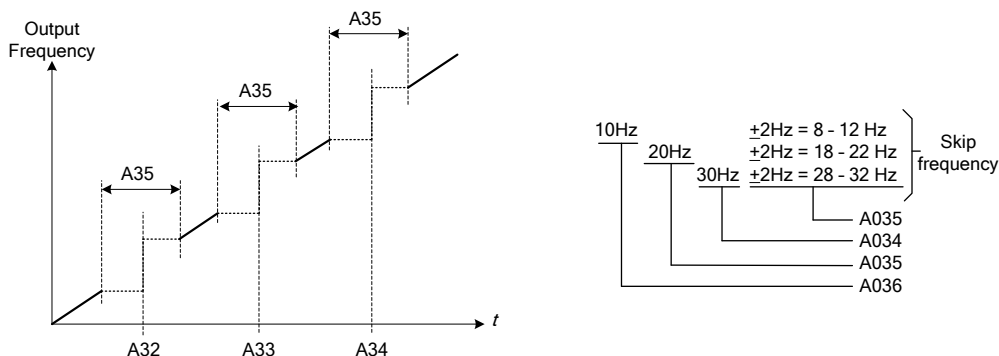


Fig. 19.6

|            |                                |  |
|------------|--------------------------------|--|
| <b>039</b> | <b>Parameter lock function</b> | <b>0000: Enable all Functions</b><br><b>0001: A059 - A068 cannot be changed</b><br><b>0002: All Functions Except A059 - A068 cannot be changed</b><br><b>0003: Disable All Functions</b> |
|------------|--------------------------------|--|

|             |                       |   |
|-------------|-----------------------|---|
| <b>A040</b> | <b>Parameter Copy</b> | <b>0000: Disable</b><br><b>0001: Inverter to Copy Unit</b><br><b>0002: Copy Unit to Inverter</b><br><b>0003: Verify</b> |
|-------------|-----------------------|---|

- 1.) A040 = 0000: The Inverter copy operation is not in the copy mode.
- 2.) A040 = 0001: Copy the inverter parameters to keypad module.
- 3.) A040 = 0002: Copy the keypad module parameters to inverter.
- 4.) A040 = 0003: Compares the parameters in the inverter to the parameters in the keypad module.

*Note:* If there is a mismatch, error message "EPr2" will be displayed.

*Note:* The copy function is only available for the models with same ratings.

|             |                        |  |
|-------------|------------------------|--|
| <b>A041</b> | <b>Fan Run Control</b> | <b>0000: Auto (Depends on temperature)</b><br><b>0001: Operate while in RUN Mode</b><br><b>0002: Always Running</b><br><b>0003: Always Stopped</b> |
|-------------|------------------------|--|

- 1.) A041 = 0000: The fan runs when the inverter temperature rises above a set level.
- 2.) A041 = 0001: The fan runs while the inverter is running.
- 3.) A041 = 0002: The fan is continuously running regardless of the status of the inverter.
- 4.) A041 = 0003: The fan is always stopped regardless of the status of the inverter.

*Note:* The function is disabled at and above 15HP for the 230V class and above 20HP for the 460V class, for these models, the fan will run continuously after power up.

|             |   |   |
|-------------|---|---|
| <b>A042</b> | <b>Energy Saving Mode Operation<br/>(Note a.)</b> | <b>0000: Disabled</b><br><b>0001: Controlled by MFIT at Set Frequency</b> |
| <b>A043</b> | <b>Energy Saving Operation Gain<br/>(%)</b>       | <b>0 – 100 % (Note b.)</b>  |

- 1.) With fans, pumps or other high inertia loads, starting torques are typically high. When set speed is reached the torque demand becomes less, consequently the output voltage can be lowered to save energy by setting parameter A042 = 00001.
- 2.) Setting A050 - A056 = 10 (Multifunction input terminal) enables energy saving.
- 3.) If the multifunction terminal is set to =10 (energy saving control terminal), and A042 = 0001, the output voltage will gradually decline to the original voltage x A043 (0-100%) when the terminal is ON. When the terminal is OFF the output voltage will rise to original voltage.

*Note:* a. Energy saving mode is only available in the V/F mode. (A000 = 0002)

*b.* The declining and rising speeds of voltage for energy saving are the same as those for Speed Search.

|             |                                |                   |
|-------------|--------------------------------|-------------------|
| <b>A044</b> | <b>Carrier Frequency (KHz)</b> | <b>2 – 16 KHz</b> |
|-------------|--------------------------------|-------------------|

| <b>A044</b> | <b>Carrier Frequency</b> | <b>A044</b> | <b>Carrier Frequency</b> | <b>A044</b> | <b>Carrier Frequency</b> | <b>A044</b> | <b>Carrier Frequency</b> |
|-------------|--------------------------|-------------|--------------------------|-------------|--------------------------|-------------|--------------------------|
| 2           | 2KHz                     | 6           | 6KHz                     | 10          | 10KHz                    | 14          | 14KHz                    |
| 3           | 3KHz                     | 7           | 7KHz                     | 11          | 11KHz                    | 15          | 15KHz                    |
| 4           | 4KHz                     | 8           | 8KHz                     | 12          | 12KHz                    | 16          | 16KHz                    |
| 5           | 5KHz                     | 9           | 9KHz                     | 13          | 13KHz                    |             |                          |

*Note: Increasing the carrier frequency will generally result in lower audible noise from the motor. However, increased carrier frequencies can potentially cause electrical interference on other equipment operating in proximity to the N3 inverter.*

|             |   |  |
|-------------|---|--|
| <b>A045</b> | <b>Custom Units (Line Speed) Display Mode</b> | <b>0000: Drive Output Frequency is Displayed</b><br><b>0001: Line Speed is Displayed as an Integer (xxxx)</b><br><b>0002: Line Speed is Displayed with One Decimal Place (xxx.x)</b><br><b>0003: Line Speed is Displayed with Two Decimal Places (xx.xx)</b><br><b>0004: Line Speed is Displayed with Three Decimal Places (x.xxx)</b> |
| <b>A046</b> | <b>Custom Units (Line Speed) Value</b>        | <b>0 – 9999</b>  |

- 1.) The preset frequency is displayed when the inverter is stopped when the operation line speed is displayed when the inverter is running.
- 2.) The maximum preset line value of A046 is equal to the rated frequency of the motor (A005). For example, if the maximum line speed is set at 1800 RPM, the line speed is equal to 900 RPM when output is 30Hz with a motor base frequency of 60Hz.

|             |                                   |   |
|-------------|-----------------------------------|---|
| <b>A049</b> | <b>AI2 Function: Analog Input</b> | <b>0020: PID Feedback Signal AI2 (Terminal AI2)</b><br><b>0021: AI2 Bias Signal 1 Input (Terminal AI2)</b><br><b>0022: AI2 Bias Signal 2 Input (Terminal AI2)</b> |
|-------------|-----------------------------------|---|

*Note: Parameter 049 is only available in Versions 1.3 or later. Please refer to pages 52 and 55 for details on parameter selections*

NOTES:



| Multifunction terminal 3<br>Preset value=04 | Multifunction terminal 2<br>Preset value =03 | Multifunction terminal 1<br>Preset value =02 | Jog Command terminal<br>Preset value =05 | Output frequency<br>preset value |
|---|--|--|--|----------------------------------|
| 0   | 0  | 0  | 0  | A061                             |
| X   | X  | X  | 1  | A059                             |
| 0   | 0  | 1  | 0  | A062                             |
| 0   | 1  | 0  | 0  | A063                             |
| 0   | 1  | 1  | 0  | A064                             |
| 1   | 0  | 0  | 0  | A065                             |
| 1   | 0  | 1  | 0  | A066                             |
| 1   | 1  | 0  | 0  | A067                             |
| 1   | 1  | 1  | 0  | A068                             |

1 = ON, 0 = OFF, & X = Don't Care

4. **0006:** (Toggle acceleration and deceleration time). This input selects the acceleration 1 / deceleration 1 / S curve 1 or acceleration 2 / deceleration 2 / S curve 2.
5. **0007 or 0025:** (External Emergency Stop Contact A or B). When the external emergency stop contact is closed, the inverter will decelerate to stop via the time set by A026 (Deceleration time 2) and the display will flash E.S when the emergency stop signal is received regardless of the b003 (Stopping method) setting. To restart the drive after the external emergency stop contact is opened, press the run key on the keypad or toggle the run input contact. The inverter will restart from the start frequency. If the emergency signal is cleared before the inverter stops completely, the inverter still carries out the emergency stop. The multifunction output relays, A105 (Relay output 1) and/or A106 (Relay output 2), will activate with an emergency stop if A105 and/or /A106 = 9: (Rapid stop mode). Contact A is normally open, and activates emergency stop when energized. Contact B is normally closed and emergency stop activates when de-energized.
6. **0008 or 0026:** (Base Block Contact A or B) The inverter output voltage immediately goes to 0, and the motor does a coast stop. Contact A is normally open and base block activates when energized. Contact B is normally closed and base block activates when de-energized.
7. **0009:** (Speed Search Start) When starting, the inverter detects the present speed of the motor, then accelerates from that speed to preset speed.
8. **0010:** (Energy-saving operation) With Fans, Pumps, or other high inertial loads, starting torques are typically higher while at set speed, the torque demand is less. Consequently the output voltage is reduced to save energy. When the input is ON the output voltage will gradually decline as set speed is reached. When OFF, the output voltage will gradually increase to the original voltage.  
  
*Note: The acceleration and deceleration rate during the energy saving operation is the same as that of Speed Search.*
9. **0011:** (Control signal selection)  
 OFF: The setting of b000 (Run source) and b001 (MFIT) determines the operating mode.  
 ON: The keypad controls the operating mode.  
  
*Note: The toggling of 0011 is allowed while the drive is running, however when doing this, please use caution around the operating equipment.*
10. **0012:** (Communication signal selection)  
 OFF: RS485 communication, from a PC or PLC can control the inverter operation and allow modification to the parameters. The keypad and external control terminals TM2 are not functional in this mode. Furthermore, the keypad can only display the voltage, current and frequency and the parameters are read - only. The Emergency stop is still valid.

Cont.



ON: The inverter is controlled by the keypad regardless of the settings of b000 (Run source) and b004 (Frequency source). The RS485 communication can still read and write the inverter parameters.

11. **0013:** (Disable acceleration and deceleration) When ON, acceleration and deceleration is disabled until the input is turned OFF. The function is illustrated below.

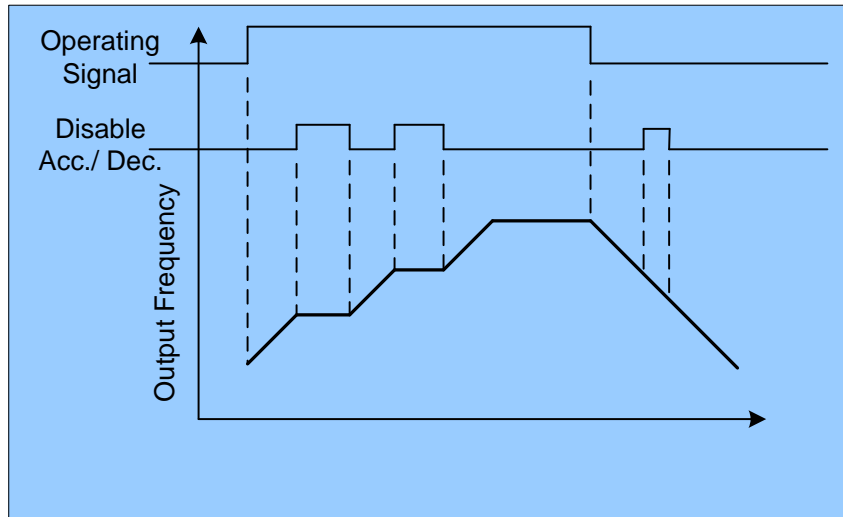


Fig. 19.7

12. **0014** and **0015:** (Up / Down Function)

Actual Acc /Dec time is based on the following settings:

- (1) To use the Up / Down function set b004 = 3. The other frequency signals are not valid.
- (2) When A058 = 0000 and A060 = 0000, the inverter accelerates to the preset value of A061, and then maintains a constant speed. When the inverter receives either the Up or Down command, it will accelerate or decelerate until the command is released. The inverter runs at the speed setting at the time of release. When the inverter receives a stop command, the inverter will either ramp or free - run to stop as determined by the setting of b003. The frequency at the stop time will be stored in A061. The Up / Down key is invalid when the inverter is stopped. The preset parameters are modified through the keypad.
- (3) When A058 = 0001, the inverter will operate from 0Hz when the Run command is ON. The Up / Down and stop command action is the same as above. The next operation will start at 0 Hz.
- (4) The Up /Down signals are invalid if pressed simultaneously.
- (5) When a Run command is given, the inverter will accelerate to the preset frequency set by A061 and maintain that speed. If the step frequency A060 is set to a given value ( $\neq 0$ ), and the Up or Down terminal is turned ON for less than 2 seconds, the set frequency will accelerate or decelerate to a new value equal to  $A061 \pm A060$  which will become the new set frequency. Each time the Up or Down terminal is turned ON for less than 2 seconds the set frequency will change by the value of A060 (See fig. on next page). If the Up / Down signal is maintained over 2 seconds, or if A060 = 0, the frequency will continuously accelerate or decelerate toward the frequency limits until the signal is released.

The Up / Down functional range is subject to the set frequency upper and lower frequency limits, b005 and b006.

Cont.

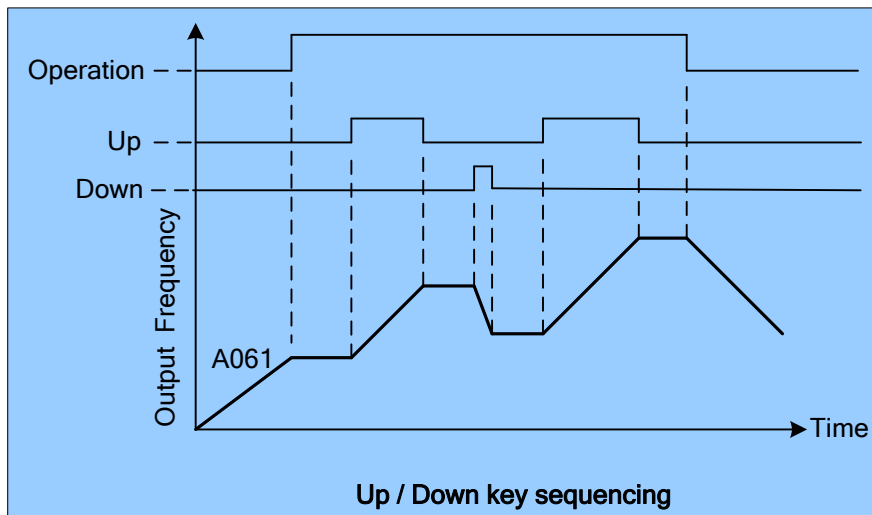
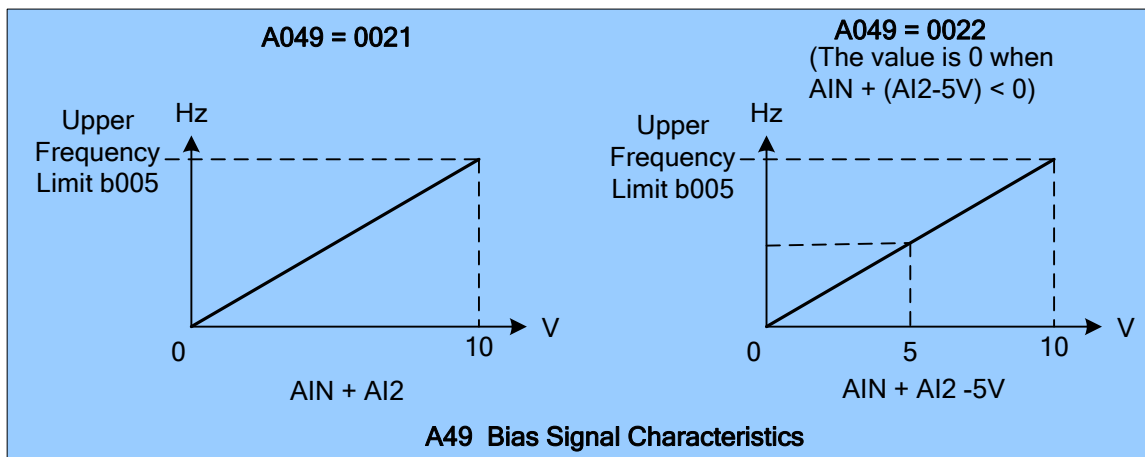


Fig. 19.8

13. **0016:** (Main / Auxiliary speed toggle)  
 OFF: The frequency is set by the potentiometer (Master Speed) on the keypad.  
 ON: The frequency is set by the AUX. input signal terminal (Auxiliary Speed) on TM2.
14. **0017:** (PID Function Disable) When the PID Function Disable is ON, the PID function, A140 is disabled.
15. **0018:** (Reset Command) The Reset command performs the same function as the Reset Key on the keypad. When the command is OFF, the inverter does not respond. The factory default of A055 is the Reset command.
16. **0024:** (Multi-Sequence Control) The Multi-Sequence control is set to 0024 to become the input terminal for the Auto – Run mode.
17. **A054 = 0019:** (Pulse Input Terminal) The multifunction terminal S5 when A054 is set to 0019 and becomes the input terminal for encoder signals.
18. **A049 = 0020:** (PID Feedback Input Terminal) The multifunctional terminal AI2 becomes the PID feedback input terminal and can be set to 0 – 10V (0 – 20 mA) or 2 – 10V (4 – 20 mA) set by parameter 140.  
 = **0021:** (Bias Signal 1) and = **0022:** (Bias Signal 2) The Bias signals provide a means of setting an offset for the Keypad potentiometer or AIN analog input. Only 0-10V (0-20mA) or 2-10V (4-20mA) is available.



Note: Parameter A049 is only available in Versions 1.3 or later (See Appendix F for further details).  
 Fig. 19.9

Cont.

- 19. **A056 = 0023:** (Analog input AIN) The multifunction analog terminal AIN = 0023, controlling the output frequency.
- 20. **A050 = 0024:** (Multi-Sequence Control) The Multi-Sequence control is set to 0024 to become the input terminal for the Auto – Run mode.

|             |  |                      |
|-------------|--|----------------------|
| <b>A057</b> | <b>Multifunction terminals S1 - S6 and AIN signal scan times (4mSec)</b> | <b>1 - 100 times</b> |
|-------------|--|----------------------|

- 1.) This function is used to minimize the electrical noise on the digital and analog inputs by sampling the input signal every 4 mSec. x 1-100 ( 4 to 400 mSec. user selected). If the signal value is the same for the interval time selected it is treated as a valid value. If the signal changes during the interval time it is treated as noise.
- 2.) The minimum scan period is 4mS while the maximum is 400mS.
- 3.) The user can set the scan time interval depending on the noise environment. In general, the noise can be minimized by increasing scan time interval, however the response to valid signal changes will be slower.

*Note: If input AIN is digital, an input voltage level above 8V is treated as ON, and below 2V as OFF.*

|             |                                |  |
|-------------|--------------------------------|--|
| <b>A058</b> | <b>Stop Mode Using Up/Down</b> | <p><b>0000: When Up/Down is used, the preset frequency is maintained when the inverter stops, and the UP/Down is unavailable.</b></p> <p><b>0001: When Up/Down is used, the preset frequency is reset to 0 Hz when the Inverter stops.</b></p> <p><b>0002: When Up/Down is used, the preset frequency is Maintained when the inverter stops, and the UP/Down is available.</b></p> |
|-------------|--------------------------------|--|

- 1.) A058 = 0000: Upon receiving a Run command the inverter will accelerate to the speed set in parameter A061. When the Up / Down command is activated the inverter begins to accelerate / decelerate and the inverter will hold that speed when the Up / Down command removed. When a Stop command is given, the inverter will ramp stop or stop as determined by the b003. It will store the frequency value at the time when the Stop signal is activated. The Up / Down function is unavailable when the inverter is stopped. The keypad is available to modify the preset frequency (A061). If A058 = 0002, the UP/Down function is available When the inverter stops.
- 2.) A058 = 0001: When the Run terminal is energized, the inverter accelerates from 0 Hz, and the Up / Down function is same as above. When a Stop command is given, the inverter will ramp stop or stop (determined by b003) to 0 Hz. The next Run command will start from 0 Hz.

|                               |  |   |
|-------------------------------|--|---|
| <b>A059 &amp; A061 – A068</b> | <b>Jog and Preset (MFIT) Speed Setting on Keypad</b> | <b>Set Jog and preset speed by Keypad</b> |
|-------------------------------|--|---|

- 1.) A050 – 056 = 0002 - 0004 (preset speed 1 - 3)  
ON: the inverter operates at preset speeds 1 – 8 based on the corresponding frequency output vs. the terminal input states is shown in the table.
- 2.) A050 – 056 = 0005 (Jog)  
ON: the inverter operates in Jog acceleration time / Jog decelerate time / ON

*Cont.*

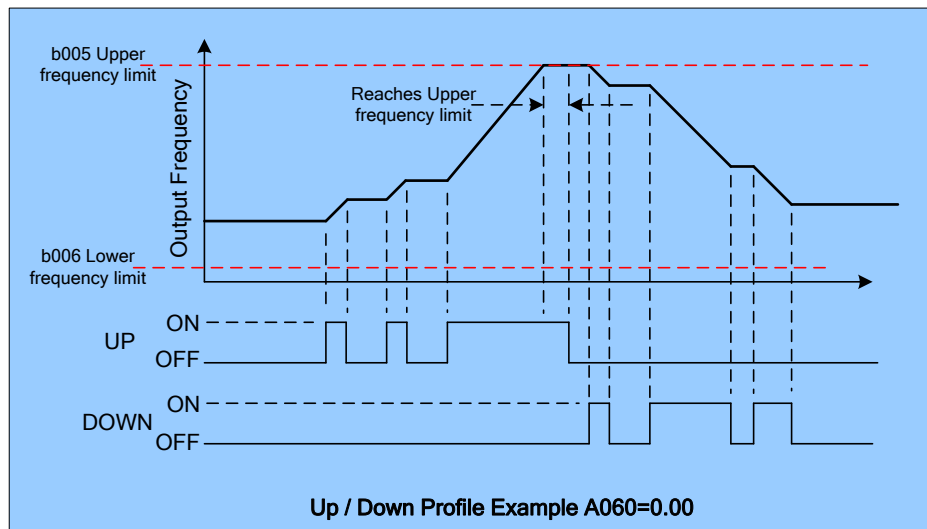
| Function Code No. | LCD Display      | Description              | Range/Code    | Factory Setting |
|-------------------|------------------|--------------------------|---------------|-----------------|
| A059              | (Jog Freq)       | Jog Frequency (Hz)       | 0.00 - 400.00 | 2.00            |
| A061              | (Freq Command 1) | Frequency Command 1 (Hz) | 0.00 - 400.00 | 5.00            |
| A062              | (Freq Command 2) | Frequency Command 2 (Hz) | 0.00 - 400.00 | 5.00            |
| A063              | (Freq Command 3) | Frequency Command 3 (Hz) | 0.00 - 400.00 | 10.00           |
| A064              | (Freq Command 4) | Frequency Command 4 (Hz) | 0.00 - 400.00 | 20.00           |
| A065              | (Freq Command 5) | Frequency Command 5 (Hz) | 0.00 - 400.00 | 30.00           |
| A066              | (Freq Command 6) | Frequency Command 6 (Hz) | 0.00 - 400.00 | 40.00           |
| A067              | (Freq Command 7) | Frequency Command 7 (Hz) | 0.00 - 400.00 | 50.00           |
| A068              | (Freq Command 8) | Frequency Command 8 (Hz) | 0.00 - 400.00 | 60.00           |

Priority in reading the frequency: Jog > Preset speed > Keypad frequency or external frequency signal

| Multifunction terminal 3<br>Preset value=04 | Multifunction terminal 2<br>Preset value=03 | Multifunction terminal 1<br>Preset value=02 | Jog Command terminal<br>Preset value=05 | Output frequency<br>preset value |
|---|---|---|---|----------------------------------|
| 0   | 0   | 0   | 0                                       | A061                             |
| x   | x   | x   | 1                                       | A059                             |
| 0   | 0   | 1   | 0                                       | A062                             |
| 0   | 1   | 0   | 0                                       | A063                             |
| 0   | 1   | 1   | 0                                       | A064                             |
| 1   | 0   | 0   | 0                                       | A065                             |
| 1   | 0   | 1   | 0                                       | A066                             |
| 1   | 1   | 0   | 0                                       | A067                             |
| 1   | 1   | 1   | 0                                       | A068                             |

|             |                                      |                       |
|-------------|--------------------------------------|-----------------------|
| <b>A060</b> | <b>Step of Up/Down Function (Hz)</b> | <b>0.00 – 5.00 Hz</b> |
|-------------|--------------------------------------|-----------------------|

- 1.) A060 = 0.00: When the Up terminal is ON, the frequency continuously increases while the Down terminal is ON, the frequency continuously decreases until the upper and lower frequency limits are reached. (See fig. below)



**Fig. 19.10**

Cont.

2.) A060 = 0.01 to 5.00: When the Up / Down terminal is ON, the output frequency *steps* at the incremental frequency set by A060. If Up / Down signal is ON for more than 2 seconds, the output frequency will ramp continuously toward the frequency limits until it is turned OFF. (See fig. below)

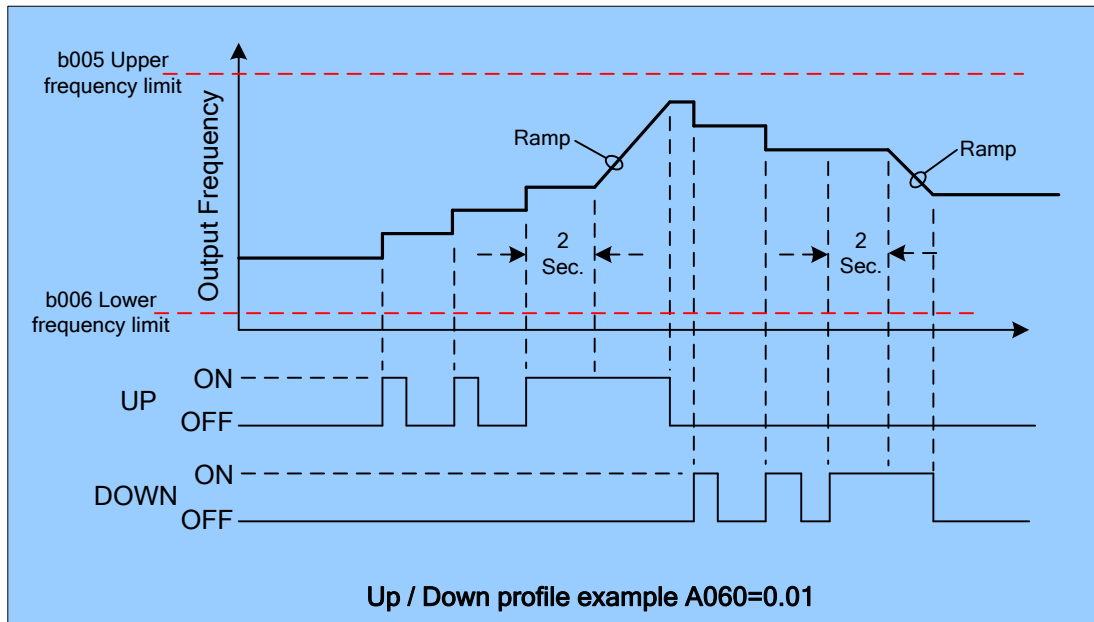


Fig. 19.11

|      |  |   |                   |
|------|--|---|-------------------|
| A061 | <b>Auto_Run Mode Frequency Command</b> | 1 | <b>0 – 400 Hz</b> |
| A062 |  | 2 |                   |
| A063 |  | 3 |                   |
| A064 |  | 4 |                   |
| A065 |  | 5 |                   |
| A066 |  | 6 |                   |
| A067 |  | 7 |                   |
| A068 |  | 8 |                   |

|      |  |   |                     |
|------|--|---|---------------------|
| A071 | <b>Auto_Run Mode Operation Selection</b> | 1 | <b>0 –3600 Sec.</b> |
| A072 |  | 2 |                     |
| A073 |  | 3 |                     |
| A074 |  | 4 |                     |
| A075 |  | 5 |                     |
| A076 |  | 6 |                     |
| A077 |  | 7 |                     |
| A078 |  | 8 |                     |

Cont

|             |                      |          |   |
|-------------|----------------------|----------|---|
| <b>A081</b> | <b>Auto_Run Stop</b> | <b>1</b> | <b>0000: Stop<br/>0001: Forward<br/>0002: Reverse</b> |
| <b>A082</b> |                      | <b>2</b> |   |
| <b>A083</b> |                      | <b>3</b> |   |
| <b>A084</b> |                      | <b>4</b> |   |
| <b>A085</b> |                      | <b>5</b> |   |
| <b>A086</b> |                      | <b>6</b> |   |
| <b>A087</b> |                      | <b>7</b> |   |
| <b>A088</b> |                      | <b>8</b> |   |

|             |   |  |
|-------------|---|--|
| <b>A091</b> | <b>Operation Mode Selection During Auto Run</b> | <b>0000: Auto Run Mode Not Effective</b><br><b>0001: Auto Run mode for one cycle. (continue running from the unfinished step if restarting)</b><br><b>0002: Auto Run mode is performed periodically (continue running from the unfinished step if restarting)</b><br><b>0003: Auto Run mode for one cycle, then hold the speed of final step to run. (continue running from the unfinished step if restarting)</b><br><b>0004: Auto Run mode for one cycle. (starting a new cycle if restarting)</b><br><b>0005: Auto Run mode is performed periodically (starting a new cycle if restarting)</b><br><b>0006: Auto Run mode for one single cycle, then hold the speed of final step to run. (starting a new cycle if restarting)</b> |
|-------------|---|--|

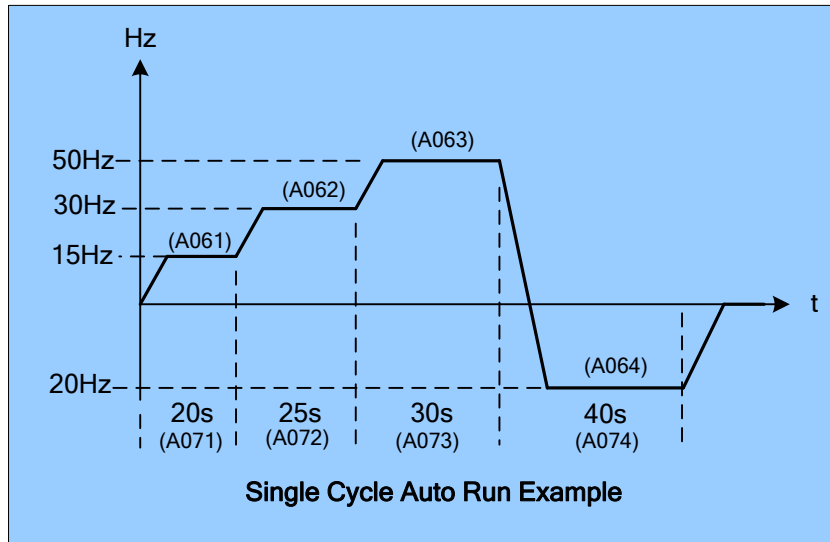
- 1.) A091 = 0000 – 0006: Selects the mode of operation in Auto\_Run.
- 2.) In the Auto\_Run mode:
  - A061 - A068: Selects the run frequency
  - A071 - A078: Selects the time of the run frequency
  - A081 - A088: Selects the direction (Fwd / Rev) of the output or the Stop mode.
- 3.) In the Auto\_Run mode the acceleration / deceleration follow the settings of b007 / b008.
- 4.) In the auto\_Run mode, the multi-step frequency commands 02 - 04 are ineffective.
- 5.) Some examples of the Auto\_Run mode are as follows:

(A) Single Cycle Running - (A091= 0001and 0004)

In this example, the inverter will run for a single full cycle based upon the specified settings in the table and then stop.

| <b>Cmd / Sel</b> | <b>Freq Cmd. Hz</b> | <b>Oper Sel. Sec.</b> | <b>Fwd / Rev / Stop</b> |
|------------------|---------------------|-----------------------|-------------------------|
| 1                | A061 = 15           | A071 = 20             | A081 = Fwd.             |
| 2                | A062 = 30           | A072 = 25             | A082 = Fwd.             |
| 3                | A063 = 50           | A073 = 30             | A083 = Fwd.             |
| 4                | A064 = 20           | A074 = 40             | A084 = Rev.             |
| 5 - 8            | A065 – A068 = 0     | A075 – A078 = 0       | A085 – A088 = 0         |

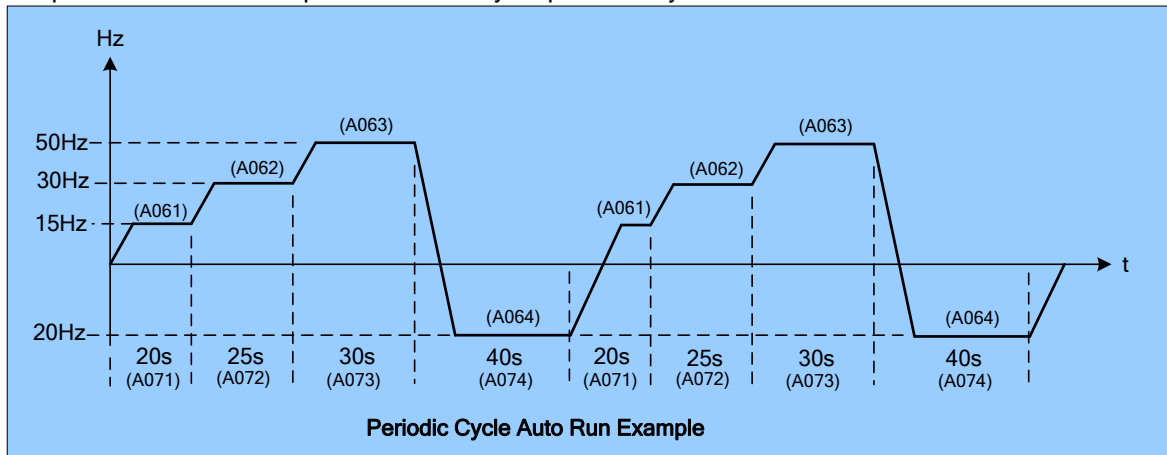
Cont.



**Fig. 19.12**

(B) Periodic Running - (A091 = 0002 and 0005)

In this example the inverter will repeat the same cycle periodically.

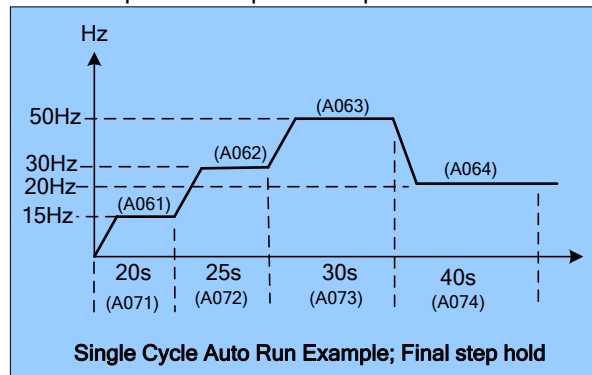


**Fig. 19.13**

(C) Single Cycle (A091 = 0003 and 0006)

In this example the speed of final the step will be held to run.

The settings are the same as the 2 prior examples except A084 which is changed to =1 (Fwd).



**Fig. 19.14**

*Cont.*

- (D) A091 = 0001 - 0003: If the inverter stops and re-starts, it will continue running from the unfinished step, according to the setting of A091.  
 = 0004 - 0006: If the inverter stops and re-starts, it will begin a new cycle and continue running according to the setting of A091.

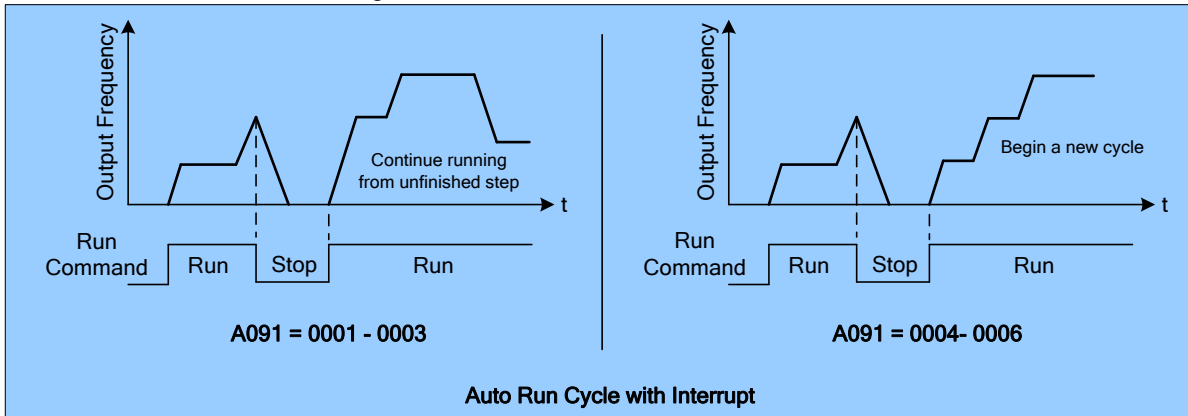


Fig. 19.15

|             |  |  |
|-------------|--|--|
| <b>A092</b> | <b>AIN Gain (%)</b>                                | <b>0 - 200</b>                           |
| <b>A093</b> | <b>AIN Bias (%)</b>                                | <b>0 - 100</b>                           |
| <b>A094</b> | <b>AIN Bias Selection</b>                          | <b>0000: positive<br/>0001: negative</b> |
| <b>A095</b> | <b>AIN Slope</b>                                   | <b>0000: positive<br/>0001: negative</b> |
| <b>A096</b> | <b>AIN &amp; AI2 signal verification Scan Time</b> | <b>1 - 100 x (4 mSec.)</b>               |
| <b>A097</b> | <b>AI2 Gain (%)</b>                                | <b>0 - 200</b>                           |

- 1.) A094 = 0000: (AIN Bias selection positive) 0V (0mA) corresponds to the lower frequency limit, and 10V (20mA) corresponds to the upper frequency limit.
- 2.) A094 = 0001: (AIN Bias selection negative) 10V (20mA) corresponds to the lower frequency limit, and 0V (0mA) corresponds to the upper frequency limit.
- 3.) AI2 / S6 (PID feedback signal)

When A154 = 0000 (0 – 10 V / 0 – 20mA):

$$\text{Output frequency (SW2 set to I)} = I \times (b005) / 20; \text{ when } I \geq 0$$

$$\text{Output frequency (SW2 set to V)} = V \times (b005) / 10; \text{ when } V \geq 0$$

When A154 = 0001 (2 – 10 V / 4 – 20 mA):

$$\text{Output frequency (SW2 set to I)} = (I-4) \times (b005)/16; \text{ when } I \geq 4 \text{ (Output frequency =0; when } I < 4)$$

$$\text{Output frequency (SW2=V)} = (V-2) \times (b005)/8; \text{ when } V \geq 2 \text{ (Output frequency =0; when } V < 2)$$

Cont.



NOTE: Refer to the example tables and figures below for additional information

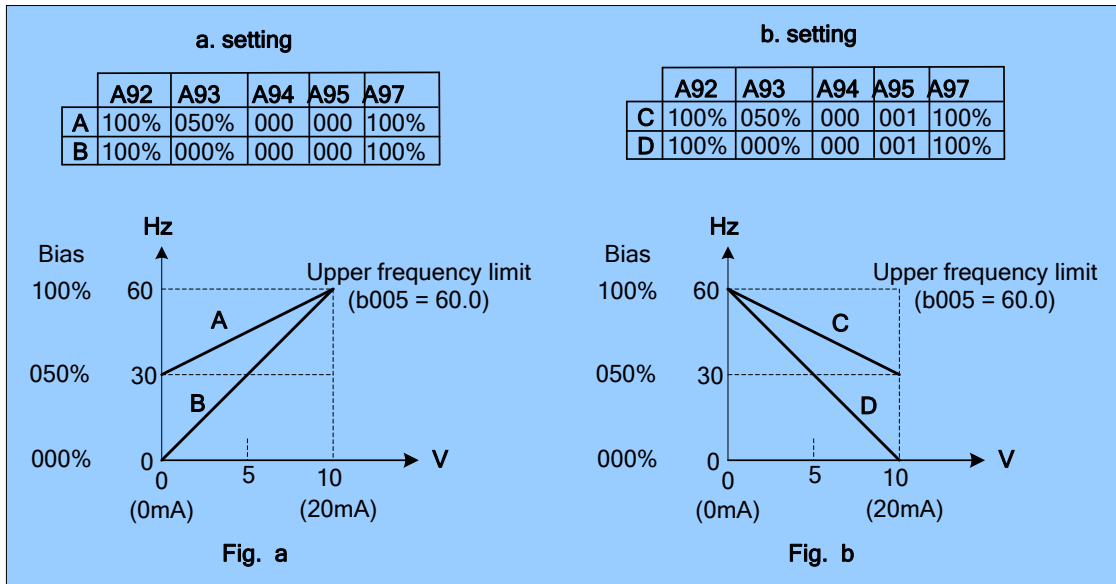


Fig. 19.16

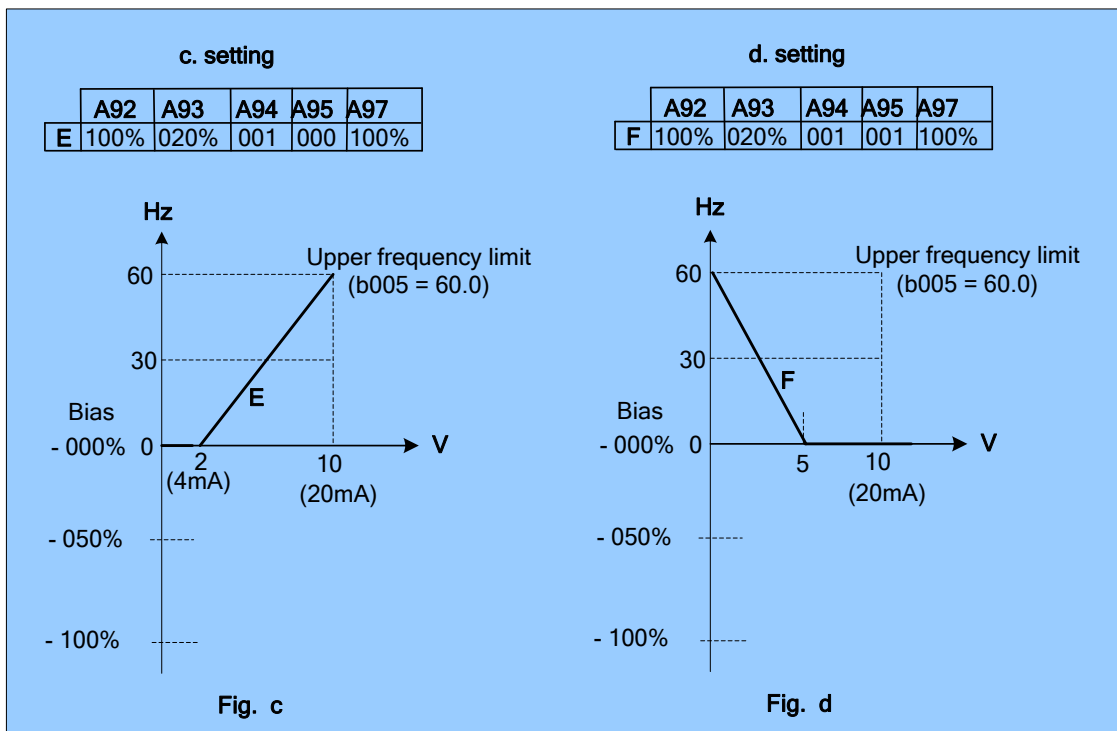


Fig. 19.17

4.)The inverter reads the average value of the A/D signals once per (A096×4ms). Set the scan intervals to minimize the environmental noise by increasing the value of A096. However, increasing the scan time will result in a *decreased* the response time.

|            |                                    |                      |
|------------|------------------------------------|----------------------|
| <b>098</b> | <b>Pulse input frequency ratio</b> | <b>0.001 – 9.999</b> |
|------------|------------------------------------|----------------------|

When the frequency source parameter b004 is = 0005 (pulse follower), the actual command frequency will be determined by the pulse input signal frequency and parameter A098. The inverter command frequency = (input pulse frequency) x A098 (times ratio)

*Example: when the input pulse frequency is = 1KHz (1000), and A098 is set at 1.50, the inverter frequency command is  $1000 \times 1.5 = 1500 / 100 = 15.00\text{HZ}$ . The frequency accuracy of S5 is by base of 100, 1K (1000) present 10.00 HZ.*

|             |   |  |
|-------------|---|--|
| <b>A099</b> | <b>Select the source of auxiliary frequency command</b> | <b>0: 061 (frequency command 1)<br/>1: VR speed control on keypad<br/>2: AIN analog input on TM2<br/>3: UP/Down input on TM2<br/>4: Serial communication</b> |
|-------------|---|--|

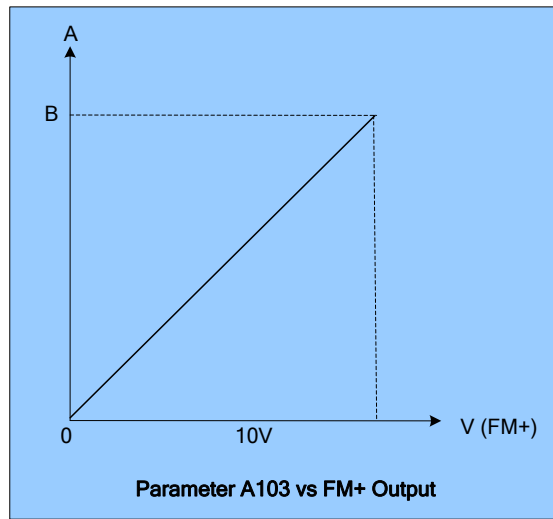
When frequency source command is set as b004 = 0005 (pulse input), and if A050 – A056 (multi-functional input terminals) is set to = 16 (Master / Auxiliary Speed), when the input is *off*, the command frequency is the pulse input. When the terminal is *on* the frequency command source is controlled by the setting of A099.

|             |                                   |   |
|-------------|-----------------------------------|---|
| <b>A103</b> | <b>Analog Output Voltage Mode</b> | <b>0000: Output frequency<br/>0001: Frequency Setting<br/>0002: Output voltage<br/>0003: DC Voltage<br/>0004: Output current<br/>0005: PID Feedback</b> |
| <b>A104</b> | <b>Analog Output Gain</b>         | <b>0 – 200%</b>   |

- 1.) The multifunction analog output range is 0 -10VDC. The selected output units is determined by A103 (Analog output voltage mode); (see following table and fig.). A104 (Analog output gain) is used to calibrate the output signal for use with an external voltmeter or other peripheral equipment.
- 2.) The analog output of the PID Feedback value (the input voltage or current to AI2) is output to terminal FM+. (set by parameter b016). The output value corresponds to the PID feedback input signal 0 -10V (0 - 20 mA) or 2 -10V (4 - 20mA).

| <b>A103 Setting</b> | <b>A</b> | <b>B</b>                       | <b>Comments</b>  |
|---------------------|----------|--------------------------------|--|
| 0000                | f        | b005 (f max.)                  | FM+ 0 – 10 V corresponds to output frequency   |
| 0001                |          |                                | FM+ 0 – 10 V corresponds to set frequency  |
| 0002                | V        | Vector A001 or V/f A107 x A133 | 1. When A000 = 0 or 1 (vector), FM+ 0 – 10 V corresponds to 0 – motor rated voltage.<br>2. When A000 = 2 (V/f), FM+ 0 – 10 V corresponds to 0 – AC line input voltage (A007) x max. output frequency voltage ratio % (A133). |
| 0003                | V        | 500 V or 1000V                 | 200 V class: FM+ 0 – 10 V corresponds to 0 – 500 VDC<br>400 V class: FM+ 0 – 10 V corresponds to 0 – 1000 VDC  |
| 0004                | I        | Rated current                  | FM+ 0 – 10 V corresponds to rated current.<br>Ex. The rated current of 201 is 4.5 A. FM+ 0 -10 V corresponds to 0 – 4.5 A.   |
| 0005                | %        | 100 % feedback value           | 1. When A140 ≠ 0 , FM+ 0 – 10 V corresponds to 0 – 100% feedback value.<br>2. When A140 = 0 , FM+ 0 – 10 V corresponds to 0 – 10V or 0 – 20mA on terminal S6/AI2.  |

Cont.



**Fig. 19.18**

|             |   |  |
|-------------|---|--|
| <b>A105</b> | <b>Relay 1 (R1C,R1B,R1A terminals on TM2)</b> | <b>0000: Run</b><br><b>0001: Frequency Reached (Target Frequency) (Frequency Reference <math>\pm</math> A108)</b><br><b>0002: Set Frequency (A107 <math>\pm</math> A108)</b><br><b>0003: Frequency Threshold Level (&gt; A107) – Frequency Reached</b><br><b>0004: Frequency Threshold Level (&lt; A107) – Frequency Reached</b><br><b>0005: Over-torque Threshold Level</b><br><b>0006: Fault</b> |
| <b>A106</b> | <b>Relay 2 (R2C,R2A terminals on TM2)</b>     | <b>0007: Auto-restart</b><br><b>0008: Momentary AC Power Loss</b><br><b>0009: Emergency Stop Mode</b><br><b>0010: Coast-to-Stop Mode</b><br><b>0011: Motor Overload Protection</b><br><b>0012: Drive Overload Protection</b><br><b>0013: PID Feedback Signal Break</b><br><b>0014: Power On</b><br><b>0015: Under-torque Threshold Level</b>   |
| <b>A107</b> | <b>Output Frequency Detection Level</b>       | <b>0 –400 Hz</b>   |
| <b>A108</b> | <b>Frequency Reached Bandwidth</b>            | <b>0 –30 Hz</b>  |

*Cont.*

The following Fig.'s show some examples of the functions of output relays R1 (A105) and R2 A106)

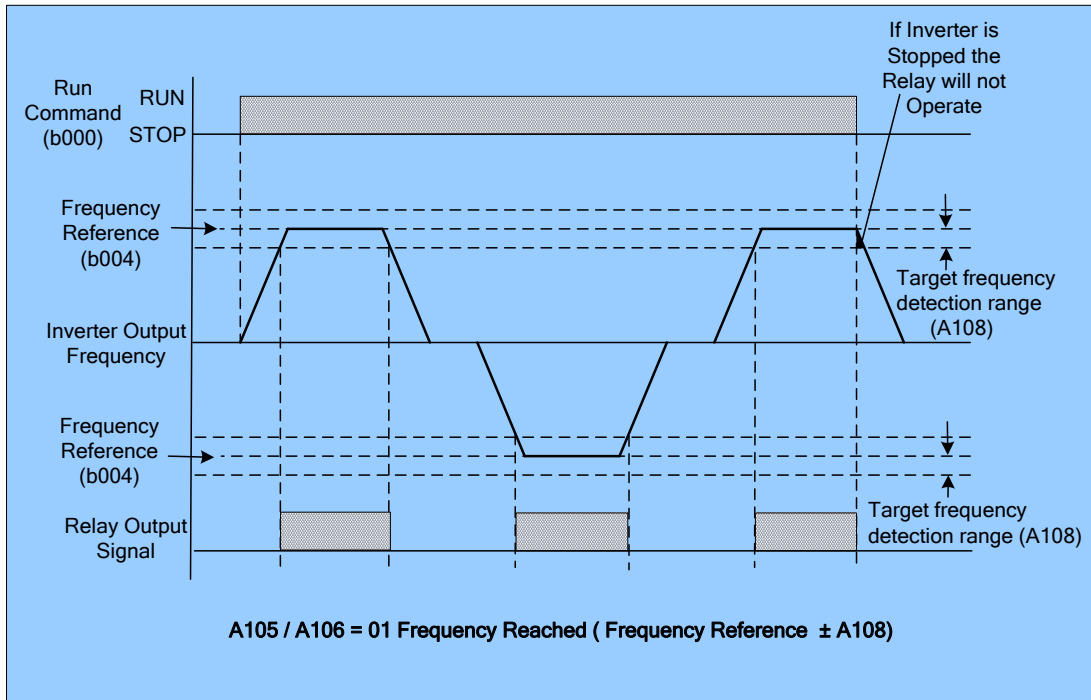


Fig. 19.19

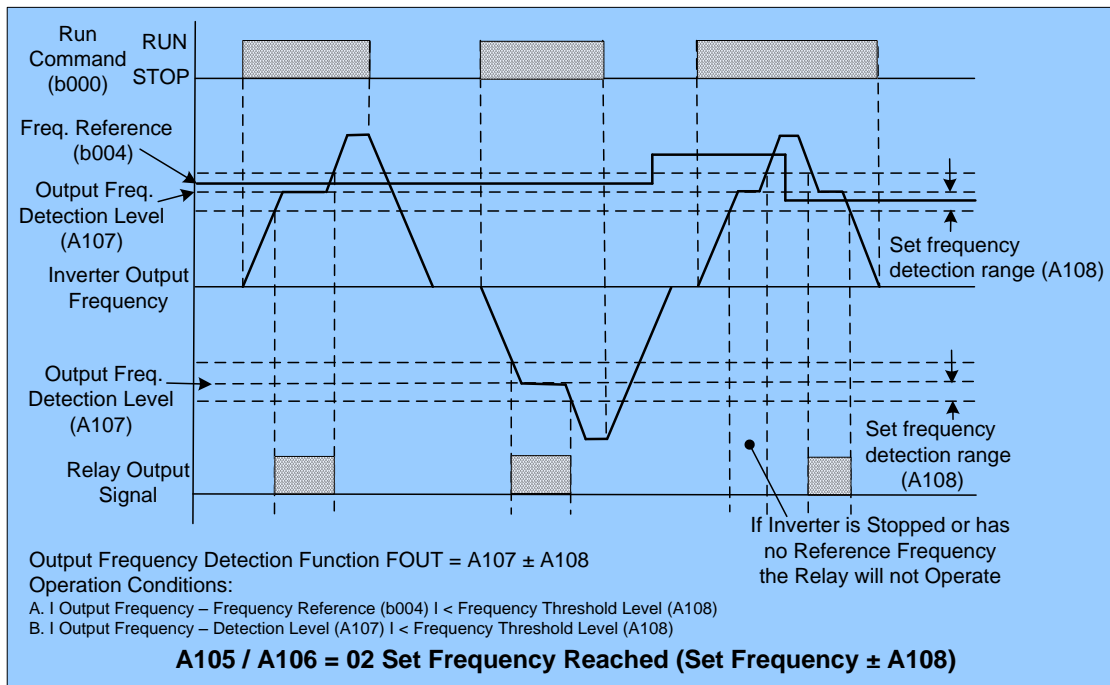
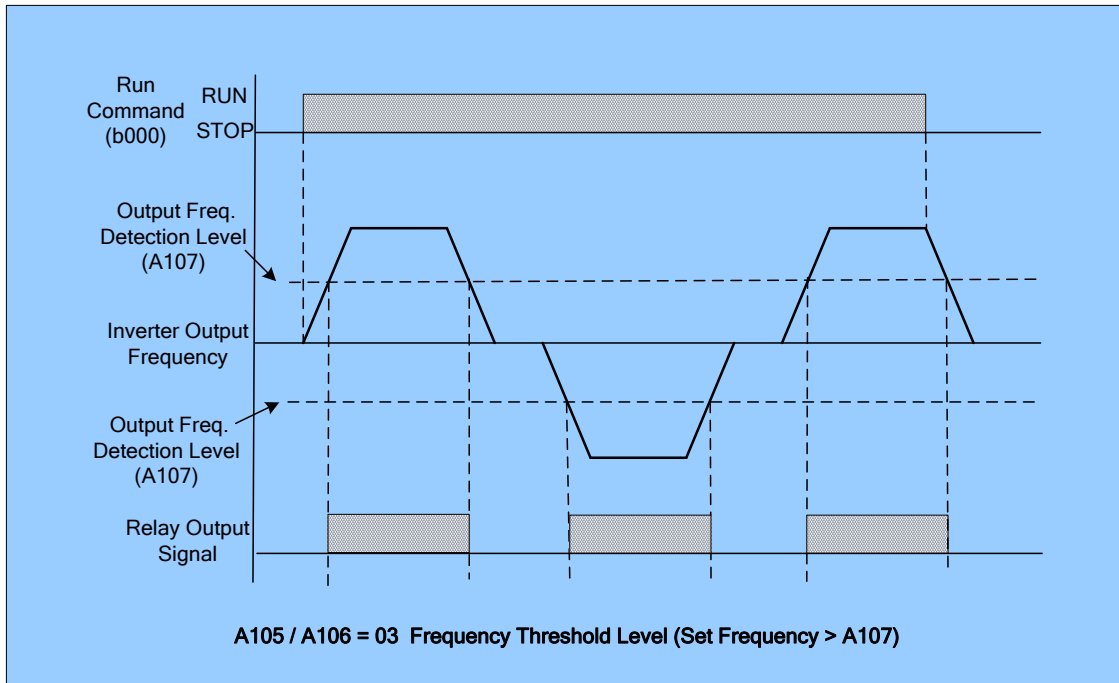
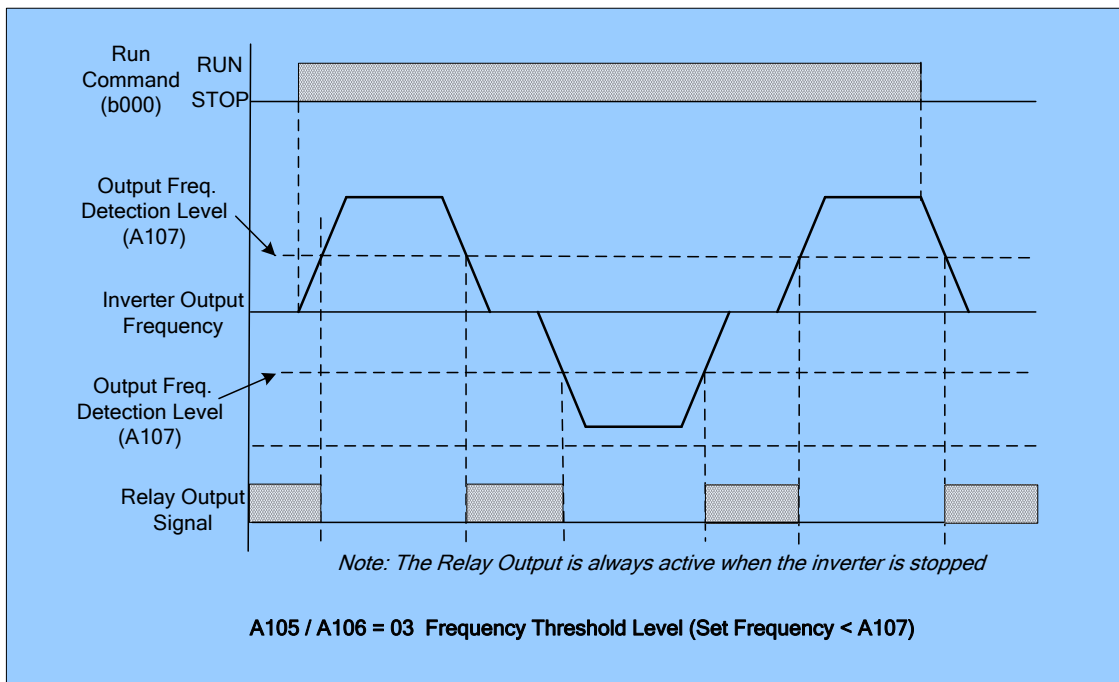


Fig. 19.20

Cont.

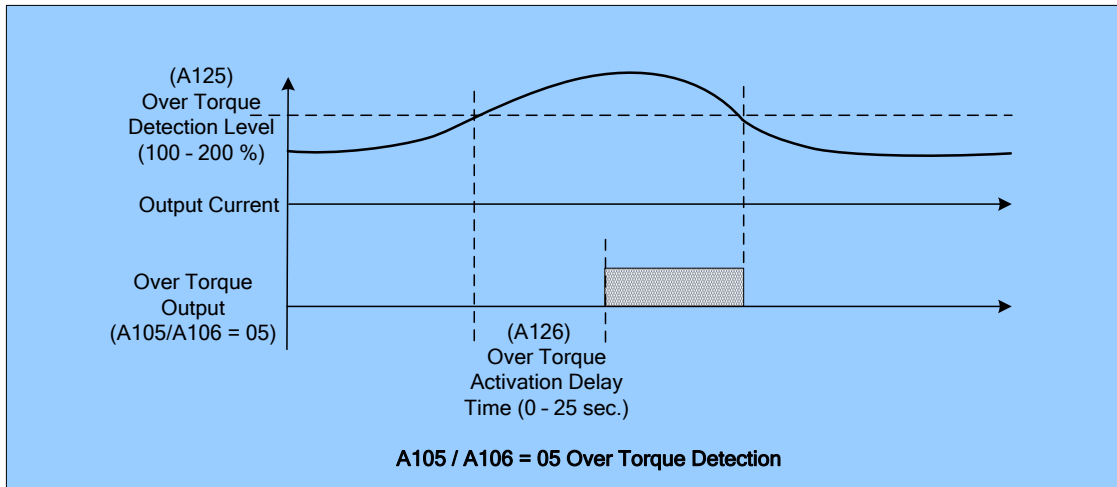


**Fig. 19.21**



**Fig. 19.22**

Cont.



**Fig. 19.23**

|             |  |  |
|-------------|--|--|
| <b>A111</b> | <b>Trip Prevention Selection During Acceleration</b>           | <b>0000: Enable Trip Prevention During Acceleration<br/>0001: Disable Trip Prevention During Acceleration</b>      |
| <b>A112</b> | <b>Trip Prevention Level During Acceleration</b>               | <b>50% - 300% (based by Motor HP A003)</b>   |
| <b>A113</b> | <b>Trip Prevention Selection During Deceleration</b>           | <b>0000: Enable Trip Prevention During Deceleration<br/>0001: Disable Trip Prevention During Deceleration</b>      |
| <b>A114</b> | <b>Trip Prevention Level During Deceleration</b>               | <b>50% - 300% (based by Motor HP A003)</b>   |
| <b>A115</b> | <b>Trip Prevention Selection in Run Mode</b>                   | <b>0000: Enable Trip Prevention in Run Mode<br/>0001: Disable Trip Prevention in Run Mode</b>                      |
| <b>A116</b> | <b>Trip Prevention Level in Run Mode</b>                       | <b>50% - 300% (based by Motor HP A003)</b>   |
| <b>A117</b> | <b>Trip Prevention Deceleration Time Selection in Run Mode</b> | <b>0000: Trip Prevention Deceleration Time Set by b008<br/>0001: Trip Prevention Deceleration Time Set by A118</b> |
| <b>A118</b> | <b>Deceleration Time in Trip Prevention Mode (sec.)</b>        | <b>0.1 - 3600.0 Sec.</b>   |

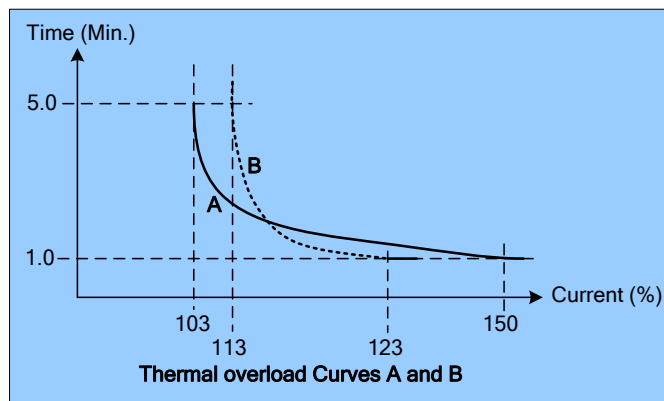
- 1.) If the acceleration time is set too short, the inverter will delay the acceleration time in order to prevent an over current trip "OC-AS".
- 2.) If the deceleration time is set too short, the inverter will delay the deceleration time in order to prevent an over voltage of DC BUS trip 'OC-C'.
- 3.) Some mechanical equipment such as presses, or a mechanical failure such as seizing due to insufficient lubrication, varying loads, etc. will cause the inverter to trip. When the operating torque of the inverter exceeds the setting of A116, the inverter will lower the output frequency at the deceleration time set by A117, and then return to normal operating frequency after the torque level stabilizes.

*Cont.*

|             |  |  |
|-------------|--|--|
| <b>A119</b> | <b>Electronic Motor Overload Protection Operation Mode</b> | <b>0000: Enable Electronic Motor Overload Protection</b><br><b>0001: Disable Electronic Motor Overload Protection</b>  |
| <b>A120</b> | <b>Motor Type Selection</b>                                | <b>0000: Electronic Motor Overload Protection Set for Non-Inverter Duty Motor</b><br><b>0001: Electronic Motor Overload Protection Set for Inverter Duty Motor</b> |
| <b>A121</b> | <b>Motor Overload Protection Curve Selection</b>           | <b>0000: Constant Torque (OL=103%)(150%, 1 minute)</b><br><b>0001: Variable Torque (OL=113%)(123%, 1 minute)</b>   |
| <b>A122</b> | <b>Operation After Overload Protection is Activated</b>    | <b>0000: Coast-to-Stop After Overload Protection Is activated</b><br><b>0001: Drive Will not Trip when Overload Protection is Activated (OL1)</b>                  |

Description of the thermal overload function:

- 1.) A121 = 0000: Protects the general mechanical load. If the load is less than 103% of rated current, the motor continues to run. If the load is larger than 150% of rated current, the motor will run for 1 minute. (See curve **A**).  
 = 0001: Protects HVAC loads (fans, pumps etc.): If the load is less than 113% of rated current, the motor continues to run. If the load is larger than 123% of rated current, the motor will run for 1 minute. (See curve **B**)
- 2.) If A121 = 0000 and the motor is operating at or below a certain frequency (speed) the thermal overload action will revert from curve **A** to curve **B**.
- 3.) A120 = 0000: Set A005 as the rated frequency of the motor.  
 A122 = 0000: When the thermal overload function activates, the inverter will coast to stop and the display will flash "OL1". To clear the fault press the "Reset" key on the keypad or activate the external reset to continue to run.  
 = 0001: the inverter continues to run when the thermal overload activates and the display flashes "OL1" until the current declines to 103% or 113 % determined by A121.



**Fig. 19.24**

*Cont.*

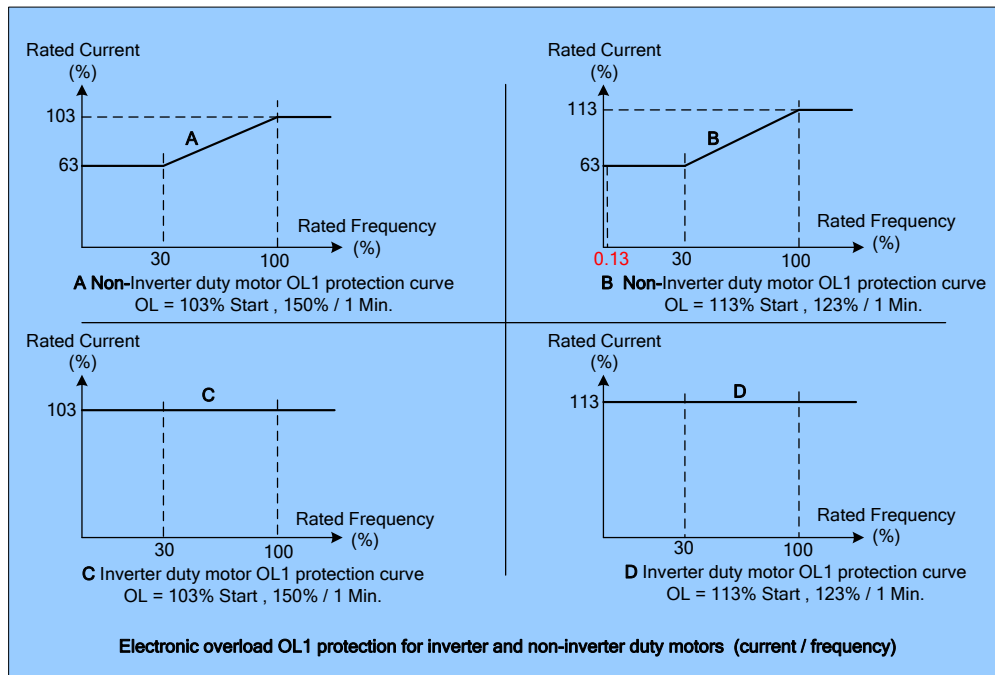


Fig. 19.25

|             |  |   |
|-------------|--|---|
| <b>A123</b> | <b>Over/Under Torque Detection Selection</b>     | <b>0000: Disable Over/Under Torque Operation.<br/>0001: Enable Over/Under Torque Operation Only if at Set Frequency.<br/>0002: Enable Over/Under Torque Operation while the Drive is in Run Mode.</b> |
| <b>A124</b> | <b>Motor Type Selection</b>                      | <b>0000: Drive will Continue to Operate After Over/Under Torque is Activated.<br/>0001: Coast-to-Stop After Over/Under Torque is Activated.</b>   |
| <b>A125</b> | <b>Over Torque Threshold Level (%)</b>           | <b>100 - 200%</b>   |
| <b>A126</b> | <b>Over Torque Activation Delay Time (Sec.)</b>  | <b>0.0 - 25.0 Sec.</b>  |
| <b>A127</b> | <b>Under torque Threshold Level (%)</b>          | <b>0 - 100 %</b>  |
| <b>A128</b> | <b>Under torque activation Delay Time (Sec.)</b> | <b>0.0 - 25.0 Sec.</b>  |

1.) Over torque is defined as when the output torque exceeds the setting of parameter A125 (Over torque threshold %) for a time exceeding the setting of parameter A126 (Over torque activation delay Sec.).

Over Torque:

A124 = 0000: When there is over torque, the inverter will continue to run and flashes “OL3” until the output torque decreases to less than the A125 set value.

= 0001: When there is over torque, the inverter coasts to stop and flashes “OL3”. After the fault clears, the “Reset” key on the keypad or external reset must be activated to restart the drive.

*Note: When parameters A105 and / or A106 (Multifunction output terminal) = 05, the relay Output(s) will be activated on over torque.*

2.) Under torque is defined as when the output torque is less than the setting of parameter A127 (Under torque threshold level %) for a time exceeding the setting of parameter A128 (Under torque activation delay Sec.).

Cont.



**Under Torque:**

- A124 = 0000: When there is under torque, the inverter will continue to run and flashes “OL4” until the output torque increases to more than the A127 set value.
- = 0001: When there is under torque, the inverter coasts to stop and flashes “OL4”. After the fault clears, the “Reset” key on the keypad or external reset must be activated to restart the drive.

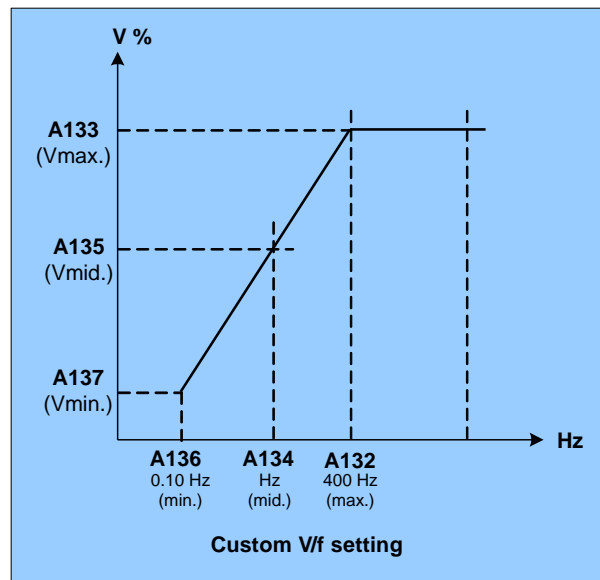
*Note: When parameters A105 and / or A106 (Multifunction output terminal) =15, the relay Output(s) will be activated on under torque.*

- 3.) Over / Under torque functions are disabled when parameter A123 = 0000 and will only be active when parameter A123 = 0001 or 0002.

V/f pattern selection (0 – 18): The following fig's show the various V/f patterns using the parameter settings as specified.

|             |  |                        |
|-------------|--|------------------------|
| <b>A129</b> | <b>Torque boost gain (V/F pattern modulation)%</b> | <b>0.0 – 30.0 %</b>    |
| <b>A130</b> | <b>Motor no load current(Amps AC)</b>              | <b>-----</b>           |
| <b>A131</b> | <b>Motor rated slip compensation(%)</b>            | <b>0.0 - 100 %</b>     |
| <b>A132</b> | <b>Max output frequency(Hz)</b>                    | <b>0.20 – 400.0 Hz</b> |
| <b>A133</b> | <b>Max output frequency voltage ratio(%)</b>       | <b>0.0 – 100.0 %</b>   |
| <b>A134</b> | <b>Medium frequency(Hz)</b>                        | <b>0.10 – 400.0 Hz</b> |
| <b>A135</b> | <b>Medium output frequency Voltage ratio (%)</b>   | <b>0.0 – 100.0 %</b>   |
| <b>A136</b> | <b>Min output frequency(Hz)</b>                    | <b>0.10 – 400.0 Hz</b> |
| <b>A137</b> | <b>Min output frequency voltage ratio (%)</b>      | <b>0.0 – 100.0 %</b>   |

- 1.) When b009 = 0018, the V/F pattern can be customized in accordance with the parameters A132 – A137 as shown in the fig. below.



**Fig. 19.26**

*Cont.*

2.) b009 = 00 – 17 V/f Pattern (Refer to Table )

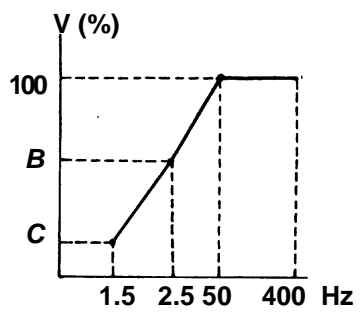
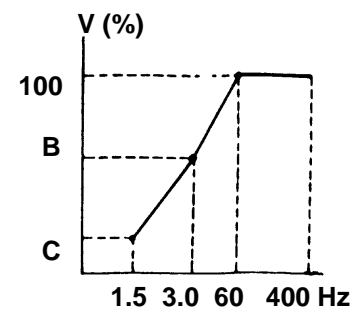
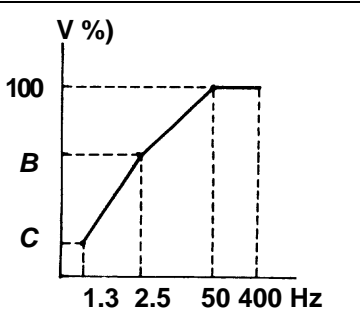
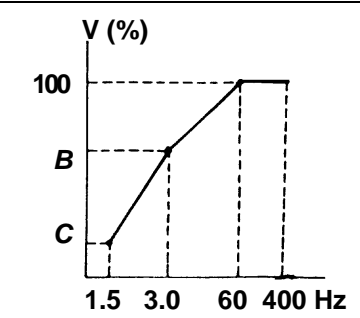
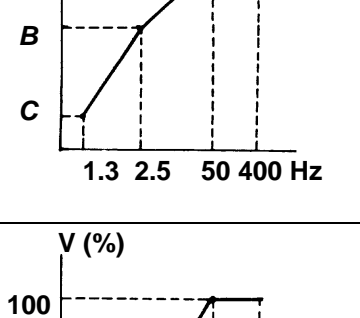
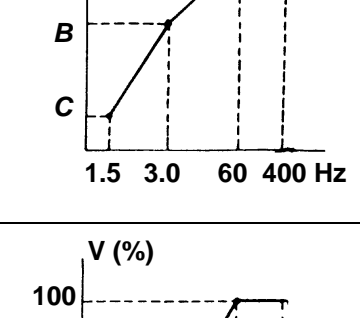
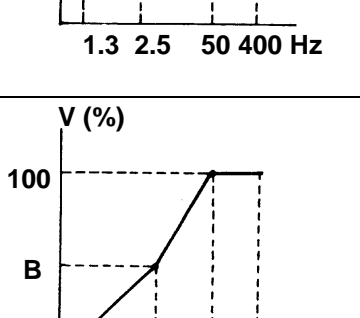
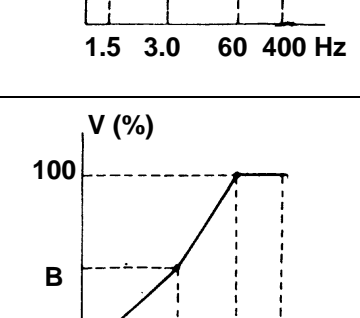
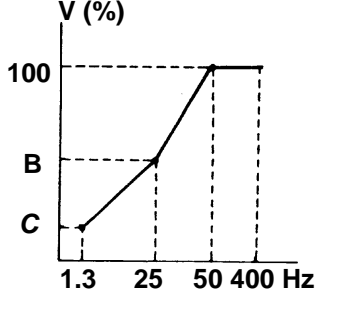
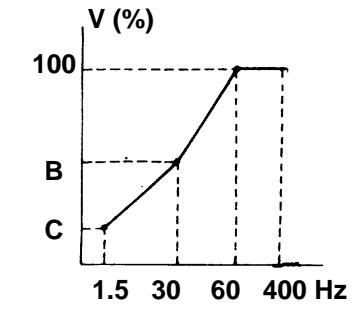
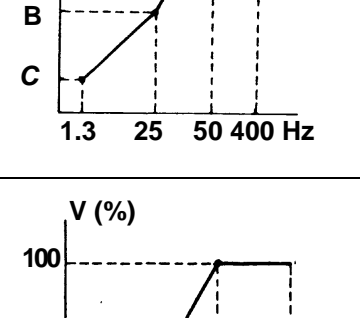
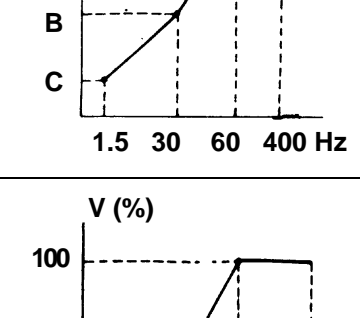
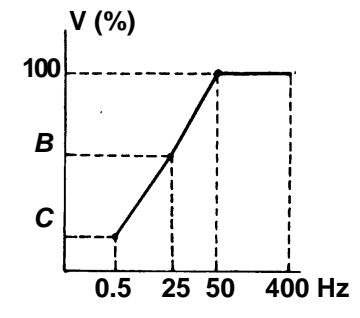
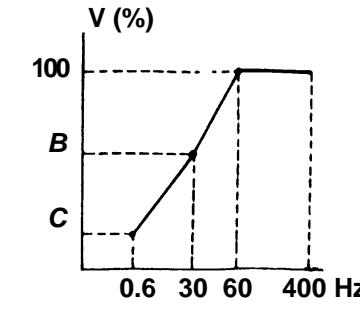
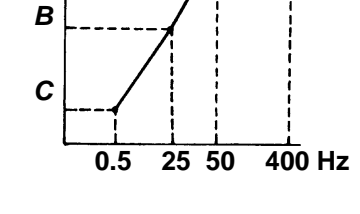
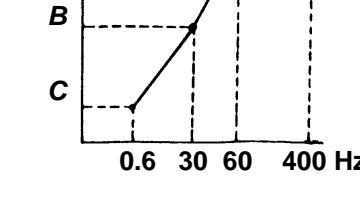
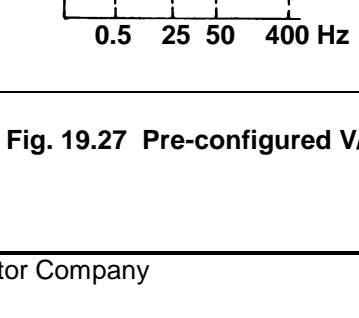
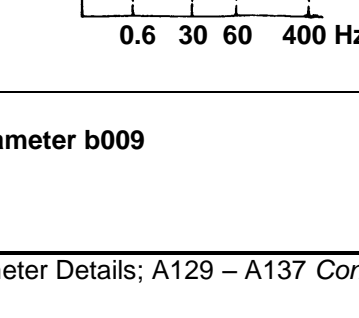
|               |                   | Purpose   | b009              | V/f pattern   |               |   | Purpose | b009  | V/f pattern   |    |  |
|---------------|-------------------|---|-------------------|---|---------------|---|---------|---|---|----|--|
| 50 Hz Systems | General use       |   | 00                |    | 60 Hz Systems | General use   |         | 09  |  |    |  |
|               |                   |   | High start torque | 01  |               |   |         |     | High start torque   | 10 |  |
|               |                   |   |                   | 02  |               |   |         |     |   | 11 |  |
|               | 03                |  |                   | 12  |               |  |         |   |   |    |  |
|               | Decreasing torque |   | 04                |  |               | Decreasing torque   | 13      |  |   |    |  |
|               |                   |   | 05                |  |               |   | 14      |  |   |    |  |
|               | Constant torque   |   | 06                |  |               | Constant torque   | 15      |  |   |    |  |
|               |                   |   | 07                |  |               |   | 16      |  |   |    |  |
|               |                   |   | 08                |  |               |   | 17      |  |   |    |  |

Fig. 19.27 Pre-configured V/f Patterns Set by Parameter b009

3.) Parameter b009 (00 – 17) sets the V/f pattern. The value of the output voltage is set as a percentage of maximum by the values of B and C at the frequencies shown. The starting torque can be increased by parameter A129 (torque boost gain) as shown in the fig. below.

| b009  |       | B     | C         |
|-------|-------|-------|-----------|
| 50 Hz | 60 Hz |       |           |
| 00    | 0 9   | 7.5%  | 4.5%      |
| 01    | 10    | 10%   | 7%        |
| 02    | 11    | 11%   | 8.5% / 8% |
| 03    | 12    | 12%   | 9.5% / 9% |
| 04    | *     | 17.5% | 4%        |
| 05    | *     | 25%   | 5%        |
| *     | 13    | 20.5% | 7%        |
| *     | 14    | 28.5% | 8%        |
| 06    | 15    | 45.0% | 1.0%      |
| 07    | 16    | 55.0% | 1.0%      |
| 08    | 17    | 65.0% | 1.0%      |

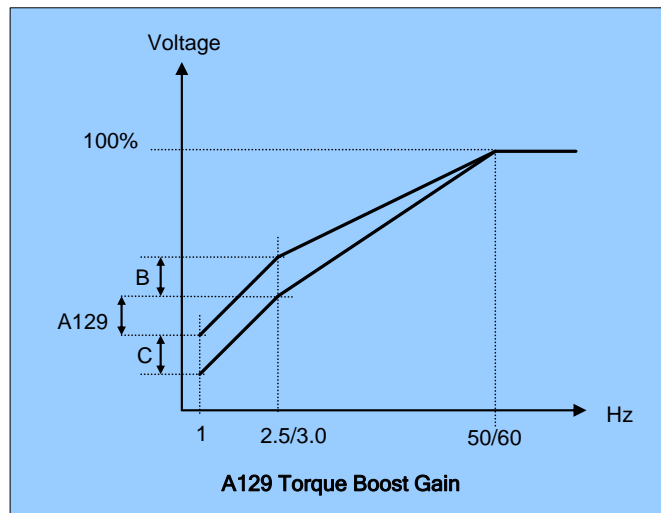


Fig. 19.28

Note: When A129=0 the torque boost function is invalid.

4.) In an induction motor, there is slip due to the load torque resulting in a decrease in motor RPM. To compensate for the speed change it is necessary to boost the output voltage. Parameter A131 (motor rated slip compensation) is used to accomplish this function and is calculated as per the following equation.

$$\text{Slip frequency boost} = \frac{\text{Output Current} - (A130)}{(A002) - (A130)} \times (A131)$$

Note : A002 = motor rated current  
A130 = motor no load current

$$\text{A131 approximate value} = \frac{(\text{Motor synchronization speed} - \text{Rated speed})}{\text{Motor synchronization speed}}$$

*Marked on the motor nameplate*

$$\text{Motor synchronization speed (RPM)} = \frac{120}{\text{Motor Poles}} \times \text{Motor rated frequency (50Hz or 60Hz)}$$

Cont.

Example: 4 Poles, 60Hz induction motor synchronization speed  $\frac{120}{4} \times 60 = 1800 \text{ RPM}$

Note: Motor no load current (A130) differs with the inverter HP capacities (see parameter A175) and should be set to actual values. (Refer to A002 note)

|             |                                |  |
|-------------|--------------------------------|--|
| <b>A140</b> | <b>PID Operation Selection</b> | <b>0000: PID disable</b><br><b>0001: PID enable (Deviation is D-controlled)</b><br><b>0002: PID Feedback D-controlled</b><br><b>0003: PID D Reverse characteristic controlled</b><br><b>0004: PID Feedback D characteristic controlled</b><br><b>0005: PID, Frequency command + D controlled</b><br><b>0006: PID, Frequency command + Feedback D controlled</b><br><b>0007: PID, Frequency Command + D reverse Characteristic controlled.</b><br><b>0008: PID, Frequency Command + Feedback D reverse Characteristic controlled.</b> |
|-------------|--------------------------------|--|

Please refer to the PID Block Diagram on next page, Fig 19.29.

- A140 = 0001: D is the deviation of the process error signal in unit time (A144 differential time).
- = 0002: D is the deviation of the feedback in unit time (A144 differential time).
- = 0003: D is the deviation of the process error signal in the unit time (A144 differential time). If the deviation is positive, the output frequency decreases and vice versa.
- = 0004: D is the deviation of feedback in unit time (A144 differential time). When the deviation is positive, the output frequency decreases, and vice versa.
- = 0005: D is equal to the deviation of the process error signal in unit time (A144 differential time) + Frequency command.
- = 0006: D is equal to the deviation of feedback in unit time + Frequency command.
- = 0007: D is equal to the deviation of the process error signal in unit time + Frequency command. If the deviation is positive, the output frequency decreases, and vice versa.
- = 0008: D is equal to the deviation of feedback in unit time + Frequency command. When Deviation is positive, the frequency decreases, and vice versa.

|             |                                  |                     |
|-------------|----------------------------------|---------------------|
| <b>A141</b> | <b>Feedback Calibration Gain</b> | <b>0.00 – 10.00</b> |
|-------------|----------------------------------|---------------------|

A141 is the calibration gain. Deviation = (set point – feedback signal) × A141

|             |                        |                     |
|-------------|------------------------|---------------------|
| <b>A142</b> | <b>Proportion Gain</b> | <b>0.00 – 10.00</b> |
|-------------|------------------------|---------------------|

A142: Proportion gain for P control

|             |                             |                         |
|-------------|-----------------------------|-------------------------|
| <b>A143</b> | <b>Integral Time (sec.)</b> | <b>0.0 – 100.0 Sec.</b> |
|-------------|-----------------------------|-------------------------|

A143: Integration time for I control

|             |                                 |                          |
|-------------|---------------------------------|--------------------------|
| <b>A144</b> | <b>Differential Time (sec.)</b> | <b>0.00 – 10.00 Sec.</b> |
|-------------|---------------------------------|--------------------------|

A144: Differential time for D control

Cont.

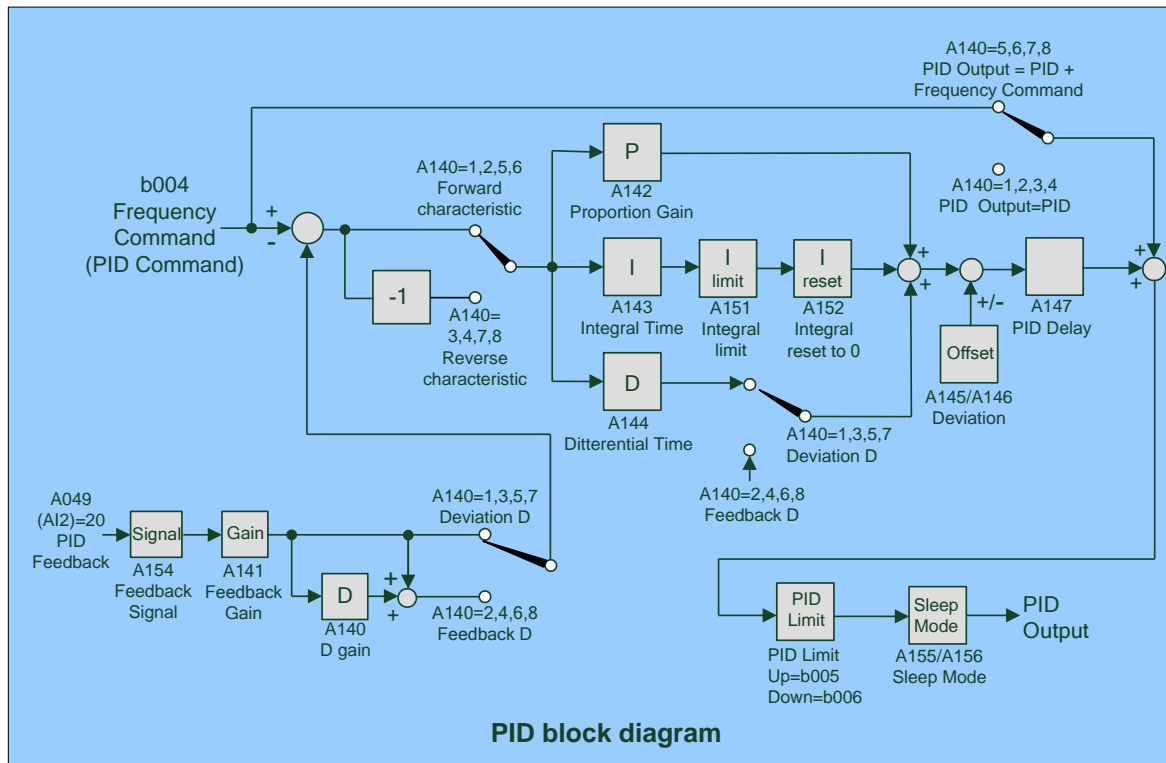
|             |                              |  |
|-------------|------------------------------|--|
| <b>A145</b> | <b>PID Offset</b>            | <b>0000: Positive Direction</b><br><b>0001: Negative Direction</b> |
| <b>A146</b> | <b>PID Offset Adjust (%)</b> | <b>-109% - +109 %</b>  |

A145 / A146: PID the calculated result plus A146 (the sign of A146 is determined by A145).

|             |                                      |                       |
|-------------|--------------------------------------|-----------------------|
| <b>A147</b> | <b>Output Lag Filter Time (sec.)</b> | <b>0.0 - 2.5 Sec.</b> |
|-------------|--------------------------------------|-----------------------|

A147: Update time for output frequency.

*Note: The PID function is available for controlling the output flow, external fan flow and temperature (See fig. below).*



**Fig. 19.29**

- 1.) To enable PID control, set parameter A049 = 0020 (PID Feedback signal AI2 on TM2).
- 2.) The set point is the b004 input frequency.
- 3.) There are two ways to display the PID feedback signal: one is using the keypad display (b016 = 0001: enable PID feedback display), and the other is using analog output FM+ (A103 = 0005 PID feedback).

|             |                                     |   |
|-------------|-------------------------------------|---|
| <b>A148</b> | <b>Feedback Loss Detection Mode</b> | <b>0000: Disable</b><br><b>0001: Enable – Drive Continues to Operate After Feedback Loss.</b><br><b>0002: Enable – Drive “STOPS” After Feedback Loss.</b> |
|-------------|-------------------------------------|---|

A148 = 0: Disable.  
 A148 = 1: Detect, continue running, and display 'PDER'.  
 A148 = 2: Detect, stop, and display 'PDER'.

|             |   |                  |
|-------------|---|------------------|
| <b>A149</b> | <b>Feedback Loss Detection Mode (%)</b> | <b>0 – 100 %</b> |
|-------------|---|------------------|

A149: Sets the percentage level for the feedback signal loss detection. The Error in percent = (Set point – feedback value). When the error is larger than the loss level setting, the feedback signal is considered lost.

|             |  |                       |
|-------------|--|-----------------------|
| <b>A150</b> | <b>Feedback Loss Detection Delay Time (sec.)</b> | <b>0.0 -25.5 Sec.</b> |
|-------------|--|-----------------------|

A150: Sets the minimum time window to consider the feedback signal lost.

|             |                                   |                  |
|-------------|-----------------------------------|------------------|
| <b>A151</b> | <b>Integrator Limit Value (%)</b> | <b>0 – 109 %</b> |
|-------------|-----------------------------------|------------------|

A151: Sets the integral limit percentage to prevent the PID from saturating.

|             |  |   |
|-------------|--|---|
| <b>A152</b> | <b>Integrator Reset to 0 when Feedback Signal Equals the set point</b> | <b>0000: Disable<br/>0001: 1 Sec.<br/>0030: 30 Sec.</b> |
|-------------|--|---|

A152 = 0: As the PID feedback value reaches the set point, the integrator will not be reset to 0.  
 A152 = 0001 or 0030: As the PID feedback value reaches the set point, the integrator will be reset to 0 in the time selected and inverter stops. The inverter will run again when the feedback value differs from the set point value.

|             |  |                |
|-------------|--|----------------|
| <b>A153</b> | <b>Allowable Integration Error Margin (Unit Value) (1 Unit = 1/8192)</b> | <b>0 - 100</b> |
|-------------|--|----------------|

A153= 0 - 100% unit value: After the integrator resets to 0 the error margin will restart.

|             |                                |  |
|-------------|--------------------------------|--|
| <b>A154</b> | <b>AIN and AI2 Signal Type</b> | <b>0000: AIN = 0 - 10V or 0-20mA,<br/>AI2 = 0 - 10V or 0-20mA<br/>0001: AIN = 0 - 10V or 0-20mA,<br/>AI2 = 2 - 10V or 4-20mA<br/>0002: AIN = 2 - 10V or 4-20mA,<br/>AI2 = 0 - 10V or 0-20mA<br/>0002: AIN = 2 - 10V or 4-20mA,<br/>AI2 = 2 - 10V or 4-20mA</b> |
|-------------|--------------------------------|--|

*Note: The signal type V or I is set via switches SW2 and SW3 on the control board.*

|             |  |                         |
|-------------|--|-------------------------|
| <b>A155</b> | <b>Sleep Function Operation Level (Hz)</b> | <b>0.00 – 400.00 Hz</b> |
| <b>A156</b> | <b>Sleep Function Delay Time (sec.)</b>    | <b>0.0 – 25.5 Sec.</b>  |

A155: Sets the sleep threshold frequency.

A156: Sets the time for sleep delay.

- When the PID output frequency is less than the sleep threshold frequency A155 exceeding the time of sleep delay set by A156, the inverter will decelerate to 0 and enter PID sleep mode. When the PID output frequency is greater than the sleep threshold frequency A155 the inverter will reactivate and enter the PID wake mode. The time diagram is shown in the first fig, on the next page.
- Parameters A140 = 1(PID enable), A049 = 20(PID feedback enable), b004 = PID setting frequency source (target value) are set as shown in first fig, on the next page

Cont.

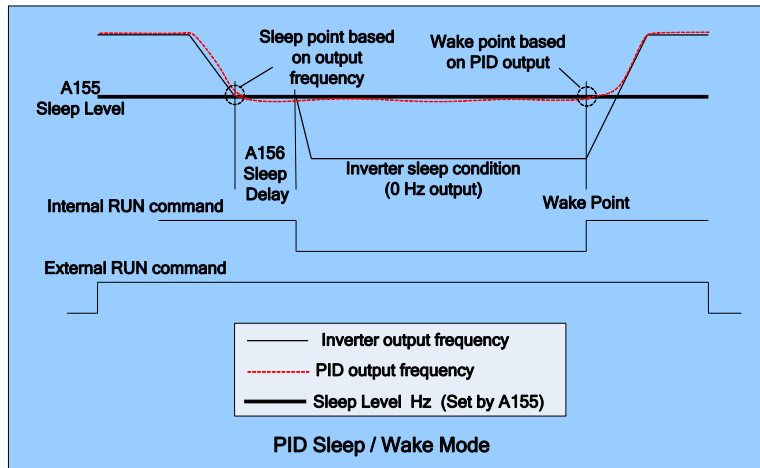


Fig. 19.30

|       |                   |                                    |                                     |
|-------|-------------------|------------------------------------|-------------------------------------|
| *A157 | Engineering Units | 0000: None                         | 0012: inW (inches in water column)  |
|       |                   | 0001: FPM (feet per minute)        | 0013: HP                            |
|       |                   | 0002: CFM (cubic feet per minute)  | 0014: m/s (meters per second)       |
|       |                   | 0003: PSI (pounds per square inch) | 0015: MPM (meters per minute)       |
|       |                   | 0004: GPH (gallons per hour)       | 0016: CMM (cubic meters per minute) |
|       |                   | 0005: GPM (gallons per minute)     | 0017: W                             |
|       |                   | 0006: in                           | 0018: kW                            |
|       |                   | 0007: ft                           | 0019: m                             |
|       |                   | 0008: /s (units per second)        | 0020: °C                            |
|       |                   | 0009: /m (units per minute)        | 0021: %                             |
|       |                   | 0010: /h (units per hour)          | 0022: rpm                           |
|       |                   | 0011: °F                           | 0021: %                             |

|       |                                |          |
|-------|--------------------------------|----------|
| *A158 | PID Feedback Display Unit Max. | 0 - 9999 |
| *A159 | PID Feedback Display Unit Min. | 0 - 9999 |

A158 and A159: Allow the selected engineering units to be scaled. (See Fig. 19.31 below)

\* Can only be used with LCD display.

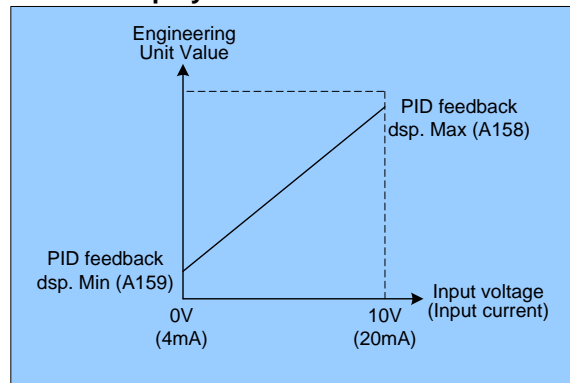


Fig. 19.31

|             |  |  |
|-------------|--|--|
| <b>A161</b> | <b>Communication time-out Operation selection.</b> | <b>0000: Deceleration to stop (b008: Deceleration time 1).</b><br><b>0001: Free run to stop.</b><br><b>0002: Deceleration to stop (A026: Deceleration time 2).</b><br><b>0003: Continue operating.</b> |
| <b>A162</b> | <b>Communication time-out Detection time.</b>      | <b>00.0 – 25.5 Sec.</b>  |

A161: Selects the time-out operation. (See diagram below)

- 1.) Reset method:
  - a. Push the "Reset" button directly.
  - b. Receive Modbus data from Master.
- 2.) After communication time-out, the motor decelerates to stop (A161 = 0000, 0001, 0002). The motor does not run after reset. The inverter must send the run command to restart.
- 3.) The setting of parameter A161 cannot be modified during communication.

A162: Selects the time-out detection time.

- 1.) Communication time-out detection is enabled or disabled by parameter A162 and does not affect the Run / Frequency command.
- 3.) The setting of parameter A162 cannot be modified during communication.

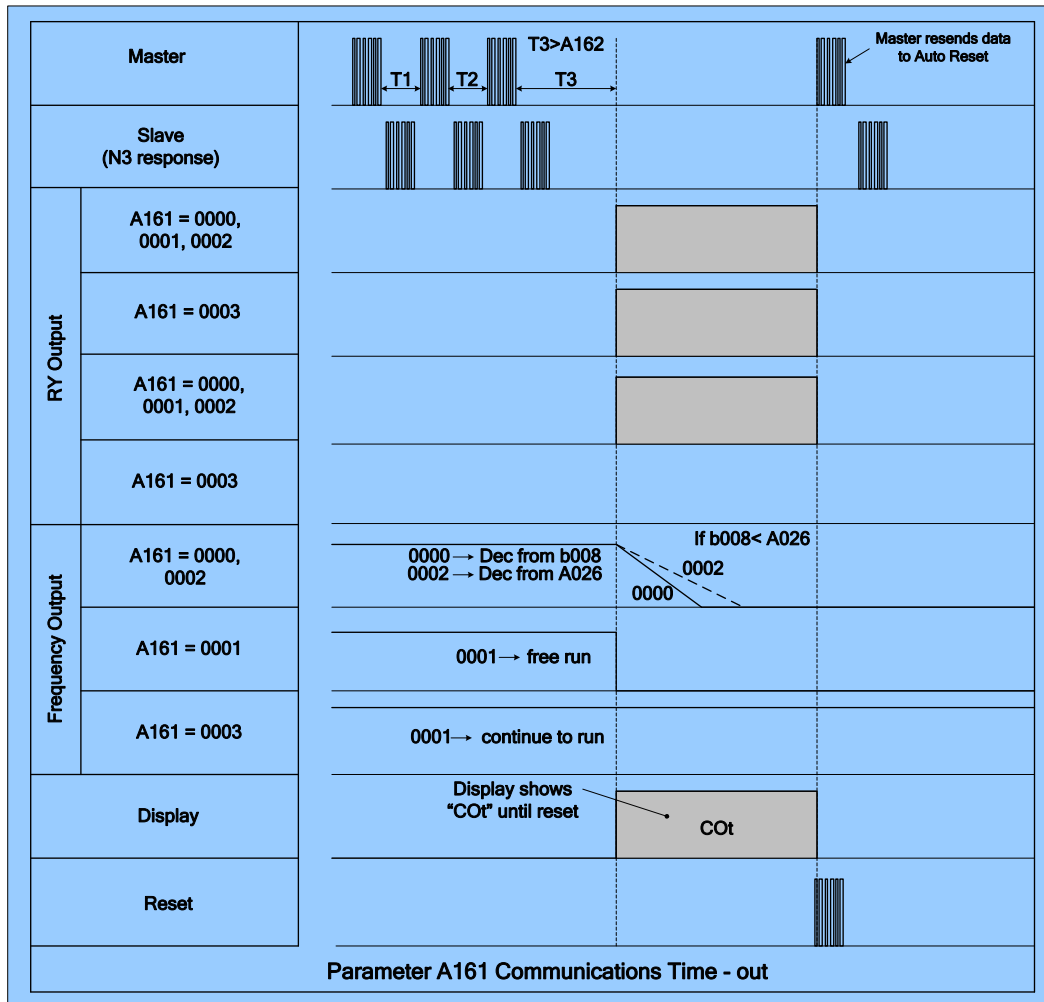


Fig. 19.32



|             |  |                |
|-------------|--|----------------|
| <b>A163</b> | <b>RS485 Communication Station Drop Number</b> | <b>1 - 254</b> |
|-------------|--|----------------|

A163: Assigns a node number to a specific inverter when networking multiple inverters using RS485 protocol.

|             |                                |  |
|-------------|--------------------------------|--|
| <b>A164</b> | <b>Baud Rate setting (bps)</b> | <b>0000: 4800<br/>0001: 9600<br/>0002: 19200<br/>0003: 38400</b> |
| <b>A165</b> | <b>Stop Bit Selection</b>      | <b>0000: 1 stop bit<br/>0001: 2 stop bit</b>                     |
| <b>A166</b> | <b>Parity Selection</b>        | <b>0000: no parity<br/>0001 even parity<br/>0002: odd parity</b> |
| <b>A167</b> | <b>Data Format Selection</b>   | <b>0000: 8 bit data<br/>0001: 7 bit data</b>                     |

- 1.) RS485 Communication:
  - A. 1 to 1 control: A host controller controls one inverter, set A163 = 001 to 254.
  - B. 1 to multiple inverter control: A host controller can control up to a maximum of 32 inverters. Use parameter A163 to set the communication address (001 - 254). When the communication address = 000, the inverter is controlled by serial communication regardless of the A163 setting.
- 2.) RS-232communication: (*an RS232 interface is required*)
  - 1 to 1 control: A host controller controls one inverter, set A163 = 1 to 254.

*Notes:*

- a. The baud rate A164 and the communications format A165, A166 and A167 of the host controller must match that of the inverter.
- b. The inverter will validate the modified parameters after the parameters are modified by the host controller.
- c. For the communication protocol, refer to the N3 MODBUS communication protocol manual.
- d. Parameters A163 – A167 cannot be changed via the communication module.

|             |                                     |       |
|-------------|-------------------------------------|-------|
| <b>A168</b> | <b>Stator Resistance(Ohms)</b>      | ----- |
| <b>A169</b> | <b>Rotator Resistance(Ohms)</b>     | ----- |
| <b>A170</b> | <b>Equivalent Inductance(mH)</b>    | ----- |
| <b>A171</b> | <b>Magnetized Current(Amps AC)</b>  | ----- |
| <b>A172</b> | <b>Ferrite Loss Conduction (gm)</b> | ----- |

- 1.) Parameters A168 – A172 are automatically set (factory default) with the HP code A175. (Refer to *Appendix B*)
- 2.) If A000 is set to = 0 or 1(vector control mode), on power up, set A006 =1 (auto-tuning). The motor operates with the inverter to perform auto tuning. Once the motor stops, auto tuning is completed and the inverter will write the internal parameters of the motor to A168 - A172. A006 will automatically be reset to 0 and the display will read END.

*Note: Do not perform auto-tuning with the mechanical load connected to the motor.*

- 3.) Auto tuning must be carried out whenever the motor is changed. If the internal parameters are known, they can be input directly to A168 - A172.
- 4.) Parameters A168 – A172 are only effective in when A000 = 0 or 1 (vector control mode).
- 5.) Only perform the auto tune when the inverter and motor are not connected.

|             |                              |                        |
|-------------|------------------------------|------------------------|
| <b>A175</b> | <b>Drive Horsepower Code</b> | <b>See table below</b> |
|-------------|------------------------------|------------------------|

| A175 | Inverter Model | A175 | Inverter Model |
|------|----------------|------|----------------|
| 2P5  | 2P5-SC/SCF/C   | 401  | 401-C/CF       |
| 201  | 201-SC/SCF/C   | 402  | 402-C/CF       |
| 202  | 202-SC/SCF/C   | 403  | 403-C/CF       |
| 203  | 203-SC/SCF/C   | 405  | 405-C/CF       |
| 205  | 205-C          | 407  | 407-C/CF       |
| 207  | 207-C          | 410  | 410-C/CF       |
| 210  | 210-C          | 415  | 415-C/CF       |
| 215  | 215-N1         | 420  | 420-N1         |
| 220  | 220-N1         | 425  | 425-N1         |
| 225  | 225-N1         | 430  | 430-N1         |
| 230  | 230-N1         | 440  | 440-N1         |
| 240  | 240-N1         | 450  | 450-N1         |
|      |                | 460  | 460-N1         |
|      |                | 475  | 475-N1         |

|             |                         |                |
|-------------|-------------------------|----------------|
| <b>A176</b> | <b>Software Version</b> | <b>XXXXXXX</b> |
|-------------|-------------------------|----------------|

|             |                                   |               |
|-------------|-----------------------------------|---------------|
| <b>A177</b> | <b>Fault Log (Latest 3 times)</b> | <b>X.XXXX</b> |
|-------------|-----------------------------------|---------------|

- 1.) When the inverter trips on a new fault, the fault that is stored in 1.xxxx will be transferred to 2.xxxx, and the fault stored in 2.xxxx will be transferred to 3.xxxx. The current fault will then be stored in 1.xxxx. So the most recent fault will always be stored in 1.xxxx and the oldest in 3.xxxx.
- 2.) When pressing 'ENTER' at A177, the most recent fault 1.xxxx will be displayed first. Pressing ▲ will display 2.xxx→3.xxx→1.xxx. Pressing ▼ will display 2.xxx→1.xxx→3.xxx.
- 4.) To clear the fault log, press 'ENTER' at A177 and the reset key at the same time. The fault log content will change to 1.---,2.---,3.---

|             |   |   |
|-------------|---|---|
| <b>A178</b> | <b>Accumulated Operation Time 1 (Hours)</b>         | <b>0 – 9999 Hours</b>                               |
| <b>A179</b> | <b>Accumulated Operation Time 2 (Hours X 10000)</b> | <b>0 – 27 (Hours X 10000)</b>                       |
| <b>A180</b> | <b>Accumulated Operation Time Mode</b>              | <b>0000: Power on time<br/>0001: Operation time</b> |

- 1.) When the operating time accumulated in A178 reaches 9999, and the next hour expires, A179 will be set to = 01 (10000 hours) and A178 will be reset to 0000.
- 2.) A180: Mode of accumulated time selection:

| A180 | Description  |
|------|--|
| 0    | Count the accumulated time when power is applied.          |
| 1    | Count the accumulated time when the Inverter is operating. |

|             |                                     |  |
|-------------|-------------------------------------|--|
| <b>A181</b> | <b>Reset to the factory setting</b> | <b>1110: Reset to the 50Hz factory setting</b><br><b>1111: Reset to the 60Hz factory setting</b> |
|-------------|-------------------------------------|--|

A181: Is set to 1110 when the inverter is used with motors rated at 50Hz.

A181: Is set to 1111 when the inverter is used with motors rated at 60Hz.

*Note:*

*Motor parameters (A168 - A172) will be modified when in V/F control mode after a factory reset is performed.*

*Motor parameters (A168 - A172) will not be modified when in vector control mode after a factory reset is performed.*

*After a reset to factory setting, the Axxx parameters will become inaccessible. Parameter b011 must then be set to 0001 to enable access to the A parameters.*

NOTES:

## 20.0 Option Modules and Cables

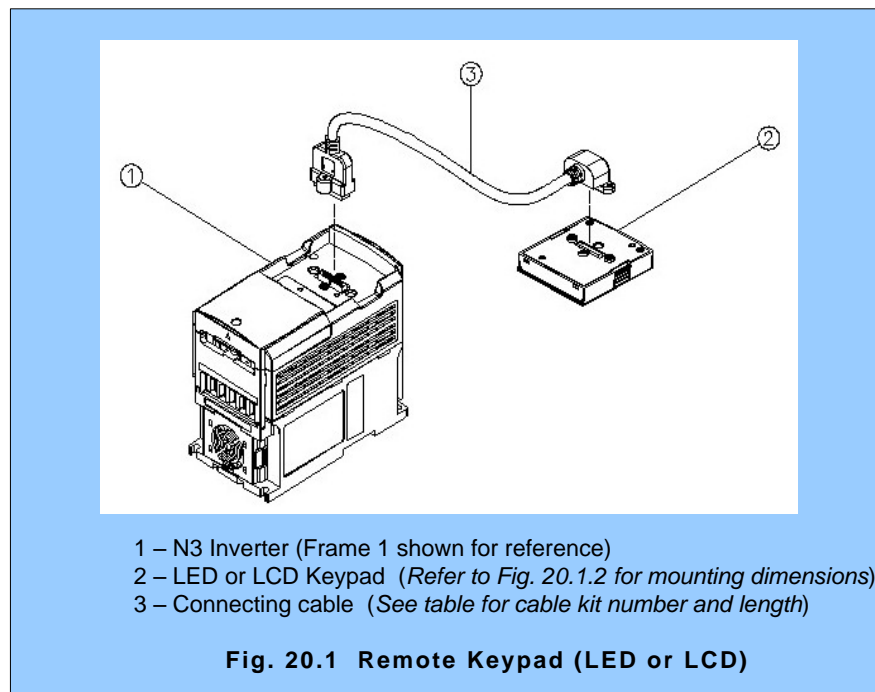
The following Option Modules are available for the **N3** Inverter series. They are easily installed and are inserted into connector **CON2** by removing the front cover.

|  |         |
|--|---------|
| !  | CAUTION |
| When installing option modules, make sure that power has been removed from the inverter and that the charge indicator is extinguished before proceeding. |         |

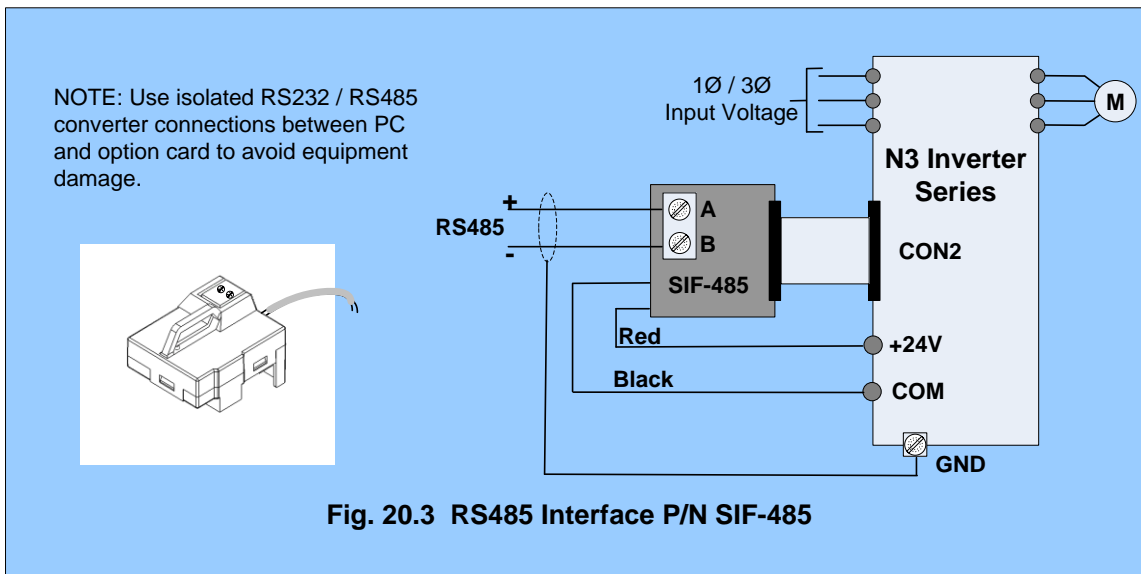
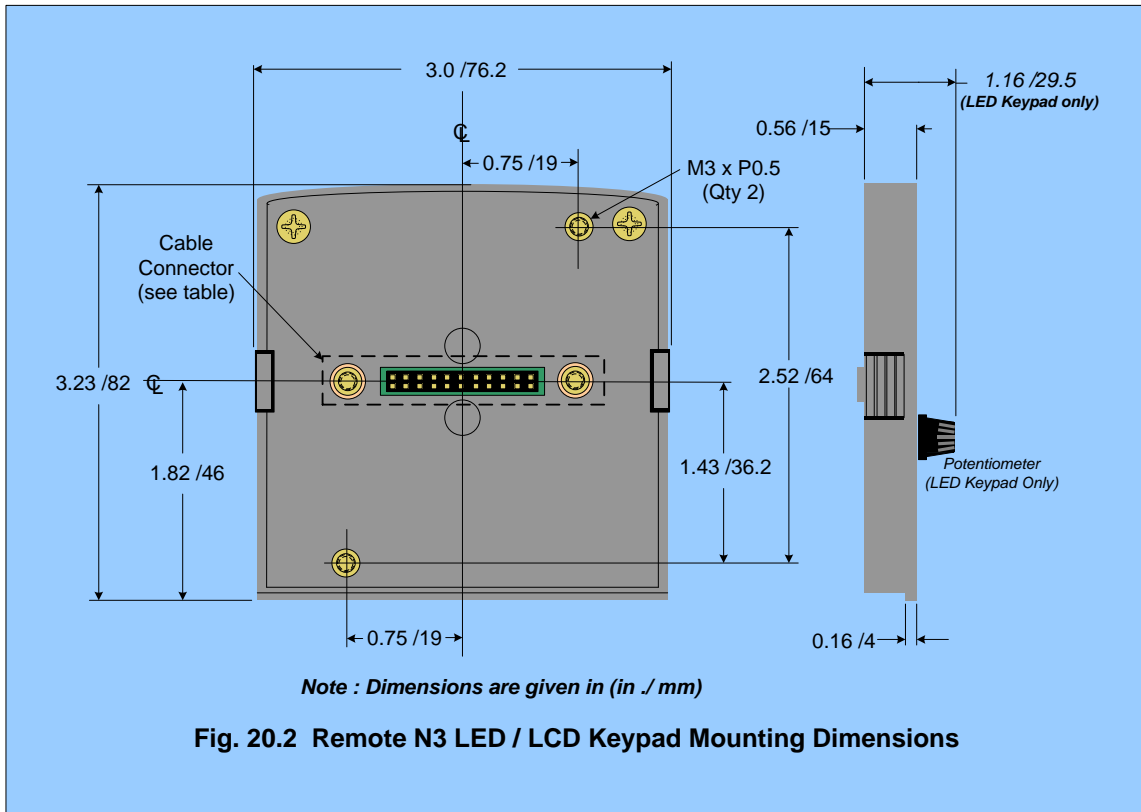
Remove the front cover in accordance with the model being used (See Appendix D). After the option module has been installed, replace the cover before powering-up the inverter. **Do not operate the inverter with the cover removed.**

### 20.1 Option Module Part Numbers

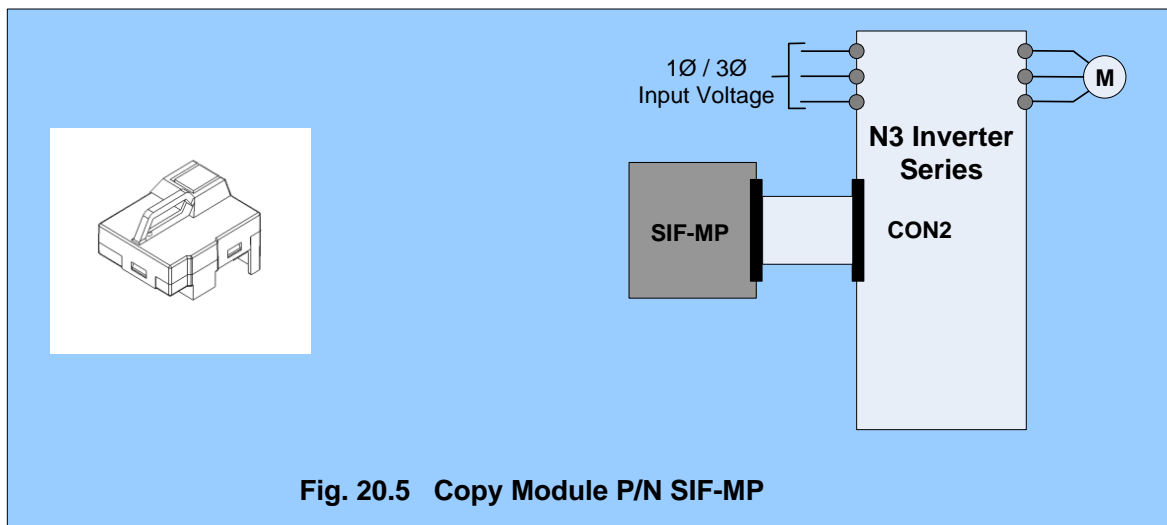
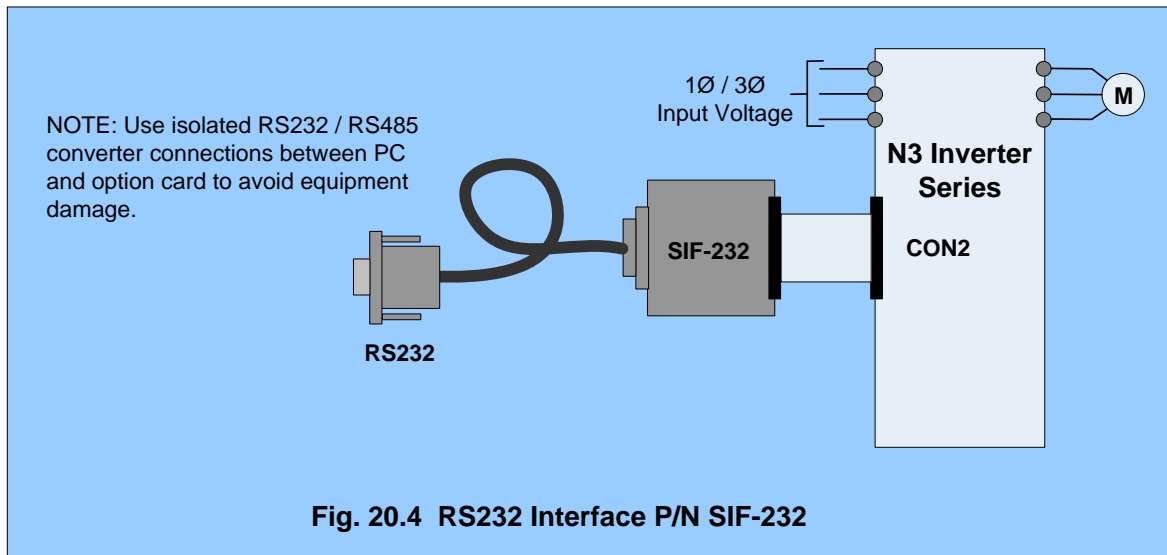
| Option Part Number                                 | Description               | *Keypad Remote Cable Kit |               | FIG. No.              |
|--|---------------------------|--------------------------|---------------|-----------------------|
|  |                           | Part Number              | Length Ft./ M |                       |
| N3 – LED – W                                       | Remote LED Keypad         | SW305P                   | 1.6 / 0.5     | 20.1.1<br>&<br>20.1.2 |
| <i>*Select the desired cable length from table</i> |                           | SW3001                   | 3.3 / 1.0     |                       |
| N3 – LCD – W                                       | Remote LCD Keypad         | SW3002                   | 6.6 / 2.0     |                       |
|  |                           | SW3003                   | 9.8 / 3.0     |                       |
|  |                           | SW3005                   | 16.4 / 5.0    |                       |
| SIF - 485  | RS485 Interface           | x                        |               | 20.1.3                |
| SIF - 232  | RS232 Interface           | x                        |               | 20.1.4                |
| SIF - MP   | Copy Module               | x                        |               | 20.1.5                |
| PDA Link   | SIF - 232 RS232 Interface | x                        |               | 20.1.6                |



Cont.



Cont.



NOTES:

## 21.0 Error Display Codes

The following tables describe the error codes that are displayed under fault conditions. They are broken down into five categories:

- Unresettable / Unrecoverable errors
- Errors recoverable both manually and automatically
- Manually recoverable errors Only (*no auto-restart*)
- Set-up configuration and interface errors
- Keypad errors

Some of the faults can be reset manually via the **Reset** key, or by an **external reset** command. Certain faults can also be reset by setting parameter A018 (Enable Auto Restart). Other faults are **not resettable**. In this case, the inverter may need total replacement or a part replaced.

### 21.1 Unresettable / Unrecoverable Errors

| Display Code | Fault                                | Cause  | Remedy  |
|--------------|--------------------------------------|--|---|
| <b>CPF</b>   | Program problem                      | External noise interference. (EMI)   | <i>Connect a parallel RC suppressor across the coil of the magnetic contactor that is causing the interference.</i>   |
| <b>EPR</b>   | EEPROM problem                       | Faulty EEPROM  | <i>Replace EEPROM</i>   |
| <b>*-OV-</b> | Overvoltage while stopped            | Voltage detection circuit Malfunction.   | <i>Repair or replace unit.</i>  |
| <b>*-LV-</b> | Undervoltage while stopped           | <ol style="list-style-type: none"> <li>1. Input voltage too low.</li> <li>2. Power resistor or fuse burned out.</li> <li>3. Detection circuit malfunctions.</li> </ol> | <ol style="list-style-type: none"> <li>1. <i>Verify that the input voltage is correct.</i></li> <li>2. <i>Replace the power resistor or fuse.</i></li> <li>3. <i>Repair or replace the inverter.</i></li> </ol> |
| <b>*-OH-</b> | The inverter overheats while stopped | <ol style="list-style-type: none"> <li>1. Detection circuit malfunction.</li> <li>2. Ambient temperature too high or poor ventilation.</li> </ol>                      | <ol style="list-style-type: none"> <li>1. <i>Replace or return the inverter.</i></li> <li>2. <i>Improve ventilation conditions.</i></li> </ol>  |
| <b>CTER</b>  | Current transducer detection error   | Current transducer or circuit error.   | <i>Repair or replace unit.</i>  |

**\*The Fault relay contact does not operate with these error indications.**

### 21.2 Automatically and Manually Recoverable Errors

| Display Code | Fault                | Cause   | Remedy   |
|--------------|----------------------|---|--|
| <b>OC-S</b>  | Overcurrent at start | <ol style="list-style-type: none"> <li>1. Motor winding and frame short circuit.</li> <li>2. Motor and ground short circuit..</li> <li>3. Power module is damaged.</li> </ol> | <ol style="list-style-type: none"> <li>1. <i>Inspect the motor.</i></li> <li>2. <i>Inspect the wiring.</i></li> <li>3. <i>Replace the power module.</i></li> </ol> |

Cont.

|             |  |  |  |
|-------------|--|--|--|
| <b>OC-D</b> | Overcurrent at deceleration                | The preset deceleration time is too short.   | <i>Set a longer deceleration time. (Parameter b0008)</i>   |
| <b>OC-A</b> | Overcurrent at acceleration                | <ol style="list-style-type: none"> <li>1. Acceleration time is set too short.</li> <li>2. The capacity of the motor exceeds the capacity of the inverter.</li> <li>3. Short circuit between the motor winding and the frame.</li> <li>4. Short circuit between motor wiring and ground.</li> <li>5. IGBT module is damaged.</li> </ol> | <ol style="list-style-type: none"> <li>1. <i>Set a longer acceleration time. (Parameter b0007)</i></li> <li>2. <i>Replace inverter with the same or greater capacity as that of the motor.</i></li> <li>3. <i>Check the motor.</i></li> <li>4. <i>Check the wiring.</i></li> <li>5. <i>Replace the IGBT module.</i></li> </ol>   |
| <b>OC-C</b> | Overcurrent during run                     | <ol style="list-style-type: none"> <li>1. Transient load change.</li> <li>2. Transient power change.</li> </ol>  | <ol style="list-style-type: none"> <li>1. <i>Increase the capacity of the inverter.</i></li> <li>2. <i>Repeat parameter auto tuning. (A006 = 1)</i></li> <li>3. <i>Reduce stator resistance (A168) if the above actions are ineffective.</i></li> </ol>  |
| <b>OV-C</b> | Overvoltage during operation/ deceleration | <ol style="list-style-type: none"> <li>1. Deceleration time setting too short or excessive load inertia.</li> <li>2. Input voltage varies widely. (fluctuates)</li> </ol>  | <ol style="list-style-type: none"> <li>1. <i>Set a longer deceleration time.</i></li> <li>2. <i>Add a braking resistor or braking unit.</i></li> <li>3. <i>Add a reactor to the input line side.</i></li> <li>4. <i>Increase inverter capacity.</i></li> </ol>   |
| <b>Err4</b> | Illegal interrupt of CPU                   | Outside noise interference.  | <i>Return unit if this is a frequent occurrence.</i>   |
| <b>OVSP</b> | Over speed during operation                | <ol style="list-style-type: none"> <li>1. Motor load excessive or inverter capacity too small.</li> <li>2. Motor parameter error. (vector mode)</li> <li>3. The gain is excessive in vector mode.</li> <li>4. Current detection circuit fault.</li> </ol>  | <ol style="list-style-type: none"> <li>1. <i>Increase acceleration / deceleration time.. (Parameters b007 / b008)</i></li> <li>2. <i>Check and correct motor parameter.</i></li> <li>3. <i>Change stator Resistance gain and Rotor resistance gain. ( Parameters A168 / A169), (suggest Incremental decrease of 50-100)</i></li> <li>4. <i>Return unit.</i></li> </ol> |

Cont.



## 21.3 Manually Recoverable Errors Only (no auto-restart)

| Display     | Fault   | Cause   | Remedy  |
|-------------|---|---|---|
| <b>OC</b>   | Over-current during stop                        | 1. OC detection circuit malfunction.<br>2. Bad connection for CT signal cable.                            | <i>Send the inverter back for repair.</i>   |
| <b>OL1</b>  | Motor overload                                  | 1. Motor under-sized.<br>2. Improper settings for Parameters A002 and A119-A122.                          | 1. <i>Increase motor capacity.</i><br>2. <i>Set A002, A119 - A122 accordingly.</i>  |
| <b>OL2</b>  | Inverter overload                               | Excessive Load.   | <i>Increase the inverter capacity.</i>  |
| <b>OL3</b>  | Over torque                                     | 1. Excessive Load.<br>2. Improper settings of parameters A125 and A126                                    | 1. <i>Increase the inverter capacity.</i><br>2. <i>Set A125 and A126 accordingly.</i>   |
| <b>LVC</b>  | Undervoltage during operation                   | 1. Input voltage too low.<br>2. Input voltage varies widely. (fluctuates)<br>3. Main Circuit Relay error. | 1. <i>Improve input voltage quality or increase the value of parameter A014.</i><br>2. <i>Set a longer acceleration time. (Parameter b0007 )</i><br>3. <i>Add a line reactor to the input side.</i><br>4. <i>Send the inverter back for repair.</i> |
| <b>OH-C</b> | Heat-sink temperature too high during operation | 1. Excessive load.<br>2. Ambient temperature too high or poor ventilation.                                | 1. <i>Check the load.</i><br>2. <i>Increase inverter capacity.</i><br>3. <i>Improve ventilation conditions.</i>   |

## 21.4 Setup Configuration and Interface Errors

| Display     | Fault                            | Description  |
|-------------|----------------------------------|--|
| <b>STPO</b> | Zero speed stop                  | <i>Set frequency &lt;0.1Hz Increase set frequency</i>  |
| <b>STP1</b> | Fail to direct start on power up | 1. <i>If the inverter is set for external terminal control mode (b000=1), and direct start on power up is disabled (A017 = 0001), the inverter cannot be started and will flash STP1 when the run switch is ON and power is applied. (Refer to descriptions of A017).</i><br>2. <i>Set A017 = 0001 for direct start.</i> |

Cont.

|              |                          |  |
|--------------|--------------------------|--|
| <b>STP2</b>  | Keypad emergency stop    | <ol style="list-style-type: none"> <li>1. If the inverter is set to external control mode (<math>b000 = 0001</math>), and the Stop key is pressed (<math>A010 = 0000</math>), the inverter will stop based on the setting of <math>B003</math> and STP2 will flash. Turn the run switch to OFF and then ON again to restart the inverter.</li> <li>2. If the inverter is in communication mode and the Stop key is pressed (<math>A010 = 0000</math>), the inverter will stop based on the setting of <math>b003</math> and STP2 will flash. The PLC or PC must send a Stop command then a Run command to the inverter for it to be restarted.</li> <li>3. The Stop key cannot perform an emergency stop when <math>A010 = 0001</math>.</li> </ol> |
| <b>E.S.</b>  | External emergency stop  | The inverter will decelerate to stop and flashes E.S., when there is an external emergency stop signal via the Control input terminals. (See parameters A050-A056).  |
| <b>b.b..</b> | External base block      | The inverter stops immediately (motor coasts to stop) and then flashes b.b., when external base block is input through the multi-functional input terminal. (See parameters A050 - A056).  |
| <b>ATER</b>  | Auto-tuning faults       | <ol style="list-style-type: none"> <li>1. Motor data error resulting in auto-tuning failure.</li> <li>2. Stopping the inverter during Auto-tuning before completion.</li> </ol>  |
| <b>PDER</b>  | PID feedback signal loss | PID feedback signal circuit error detection.   |

### 21.5 Keypad Errors

| Display     | Error   | Cause   | Remedy   |
|-------------|---|---|--|
| <b>LOC</b>  | Parameter and frequency reverse modifications locked out      | <ol style="list-style-type: none"> <li>1. Attempt to modify frequency parameter while <math>A039 &gt; 0000</math>.</li> <li>2. Attempt to reverse while <math>b002 = 0001</math>.</li> </ol>  | <ol style="list-style-type: none"> <li>1. Set <math>A039 = 0000</math>.</li> <li>2. Set <math>b002 = 0000</math>.</li> </ol>   |
| <b>Err1</b> | Keypad operation error  | <ol style="list-style-type: none"> <li>1. Attempt to press ▲ or ▼ keys when <math>b004 &gt; 0</math> or in speed operation.</li> <li>2. Attempt to modify parameters, which can not be modified during Run. (see parameter list)</li> </ol>   | <ol style="list-style-type: none"> <li>1. The ▲ or ▼ is available for modifying the parameter only when <math>b004=0</math>.</li> <li>2. Modify the parameters only in stop mode.</li> </ol>                                       |
| <b>Err2</b> | Parameter setting error                                       | <ol style="list-style-type: none"> <li>1. The setting of <math>b006</math> is within ranges of parameters <math>A032 \pm A035</math> or <math>A033 \pm A035</math> or <math>A034 \pm A035</math>.</li> <li>2. <math>b005 \leq b006</math>.</li> <li>3. Setting error while performing Auto tuning. (e.g. <math>b000 \neq 0</math>, <math>b004 \neq 0</math>)</li> </ol> | <ol style="list-style-type: none"> <li>1. Modify <math>A032-A034</math> or <math>A035</math>.</li> <li>2. <math>b005 &gt; b006</math>.</li> <li>3. Set <math>b000 = 0</math>, <math>b004 = 0</math> during Auto tuning.</li> </ol> |
| <b>Err5</b> | Modification of parameter is not allowed during communication | <ol style="list-style-type: none"> <li>1. Enable command disabled during communication.</li> <li>2. Modify parameters A164 -167 during communication.</li> </ol>  | <ol style="list-style-type: none"> <li>1. Issue enable command before / while Communicating.</li> <li>2. Set parameters 164-167 before communicating.</li> </ol>   |

Cont.

|             |                                       |   |   |
|-------------|---------------------------------------|---|---|
| <b>Err6</b> | Communication failure                 | <ol style="list-style-type: none"> <li>1. Faulty / incorrect wiring.</li> <li>2. Incorrect settings of communication parameters.</li> <li>3. Check-sum error</li> <li>4. Incorrect communication verification.</li> </ol> | <ol style="list-style-type: none"> <li>1. <i>Check hardware and wiring.</i></li> <li>2. <i>Check parameters A161 – A164.</i></li> </ol>                                       |
| <b>Err7</b> | Incorrect parameter settings          | <ol style="list-style-type: none"> <li>1. Attempt to change A175.</li> <li>2. Voltage and current detection circuits are malfunctioning.</li> </ol>   | <i>Reset inverter or contact technical support.</i>   |
| <b>EPr1</b> | Parameter set error, Copy unit failed | <ol style="list-style-type: none"> <li>1. Can not connect with Copy unit.</li> <li>2. Copy unit failure.</li> <li>3. The HP rating on Copy unit and the inverter are different.</li> </ol>                                | <ol style="list-style-type: none"> <li>1. <i>Modify parameter A040.</i></li> <li>2. <i>Change copy unit.</i></li> <li>3. <i>The HP rating need to be the same.</i></li> </ol> |
| <b>EPr2</b> | Parameters do not match               | Copy the parameter to the inverter to verify the parameters do not match.   | <ol style="list-style-type: none"> <li>1. <i>The voltage and HP rating of the Copy unit is different than the inverter.</i></li> <li>2. <i>Change copy unit.</i></li> </ol>   |

NOTES:

## 22.0 Troubleshooting

The following troubleshooting section includes both general troubleshooting and flow chart guidance. The flowcharts include:

- Fig. 22.1.1 Fault Display Troubleshooting
- Fig. 22.1.2 OC and OL Fault Troubleshooting
- Fig. 22.1.3. OV and LV Fault Troubleshooting
- Fig. 22.1.4 Motor Will Not Run
- Fig. 22.1.5 Motor Overheating
- Fig. 22.1.6 Motor Instability


DANGER

**Use extreme caution when troubleshooting as lethal voltages are present.**

Cont.

22.1 General Troubleshooting

| Fault Status                     | Check That:   | Remedy  |
|----------------------------------|---|---|
| Motor will not run               | there is power applied to terminals L1(L), L2, and L3(N) (L1(L) and L3(N) for single phase units) | <ul style="list-style-type: none"> <li>• Apply power</li> <li>• Turn power OFF and then ON again.</li> <li>• Make sure the input voltage is correct.</li> <li>• Make sure the power input terminal screws are firmly secure.</li> </ul> |
|                                  | the <i>Charge</i> indicator is lit.   |   |
|                                  | there is voltage on output terminals T1, T2, and T3 to the motor.                                 | Turn the power OFF and then ON again.   |
|                                  | there is not an overload causing the motor to stall   | Reduce the load so the motor will run.  |
|                                  | there are not any inverter wiring problems.   | Correct wiring or any input connection problems.  |
|                                  | there is a forward or reverse run command.  |   |
|                                  | there is a Run command.   | <ul style="list-style-type: none"> <li>• Make sure that the analog frequency input signal wiring is correct.</li> <li>• Make sure that the signal input voltage value is correct.</li> </ul>  |
| the operational mode is correct. | Operate the inverter through the digital keypad.  |   |
| Motor runs in wrong direction    | the wiring for output terminals T1, T2, and T3 is correct.  | The wiring must match the U, V, and W terminals of the motor.   |
|                                  | the wiring for the forward and reverse signals is correct.  | Correct wiring if necessary.  |
| Motor speed can not be regulated | the signal wiring for the analog input frequency is correct.                                      | Correct wiring if necessary.  |
|                                  | the setting of operation mode is correct..  | Check the operation mode on the keypad.   |
|                                  | the load on the motor is not too excessive.   | Reduce the load.  |
| Motor speed too high or too low  | the specifications for the motor (poles, voltage etc...) are correct.                             | Confirm the motor specifications.   |
|                                  | the gear ratio is correct.  | Confirm the gear ratio.   |
|                                  | the setting of the maximum output frequency is correct.   | Confirm the maximum output frequency.   |
| Motor speed varies erratically   | the load is too excessive.  | Reduce the load.  |
|                                  | the load does not vary excessively.   | <ul style="list-style-type: none"> <li>• Minimize the variation of the load.</li> <li>• Increase capacities of the inverter and the motor.</li> </ul>   |
|                                  | the input power is not erratic or there is a phase loss occurring.                                | <ul style="list-style-type: none"> <li>• Add an AC reactor at the power input side if using single-phase power.</li> <li>• Check wiring if using three-phase power.</li> </ul>  |

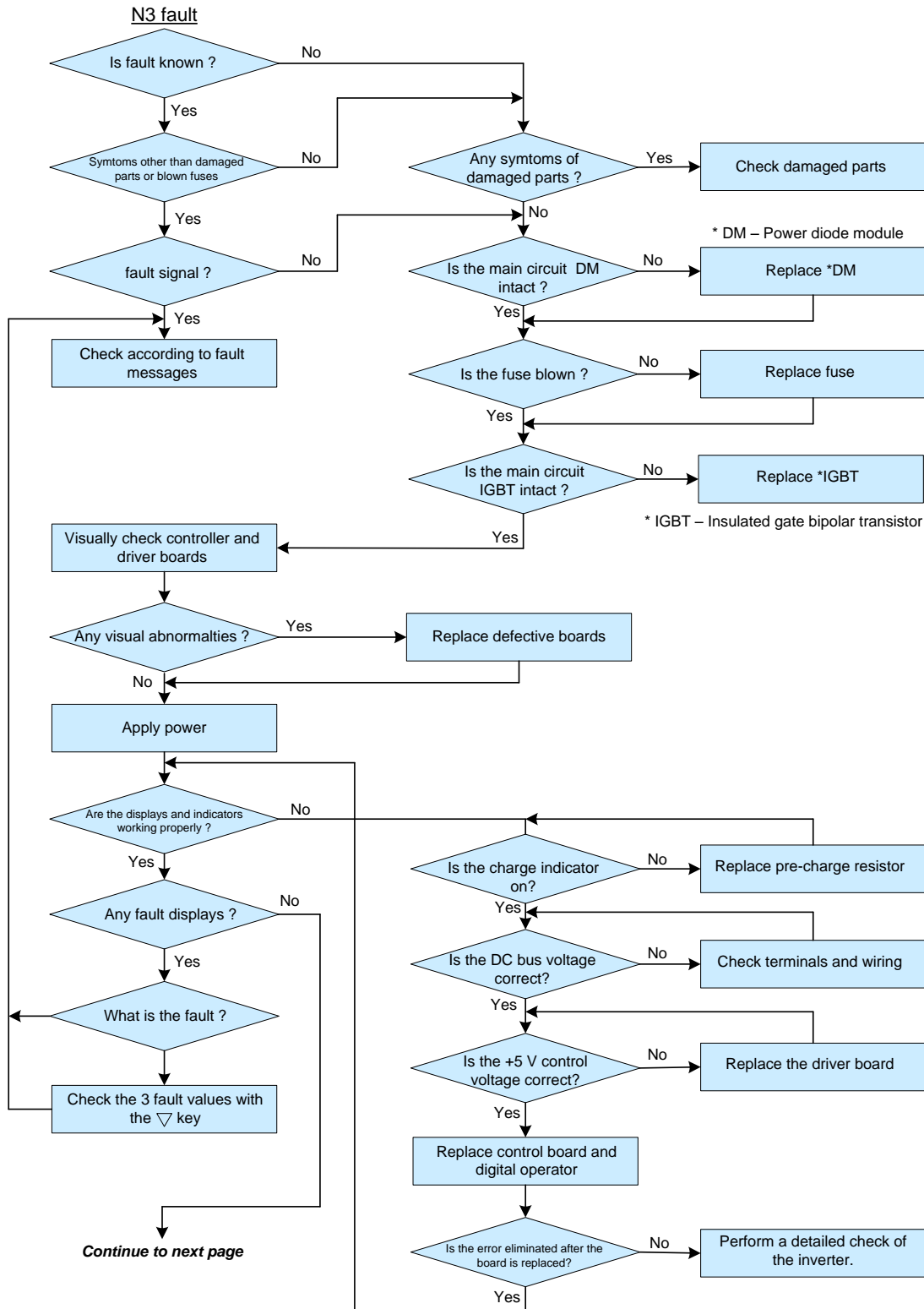
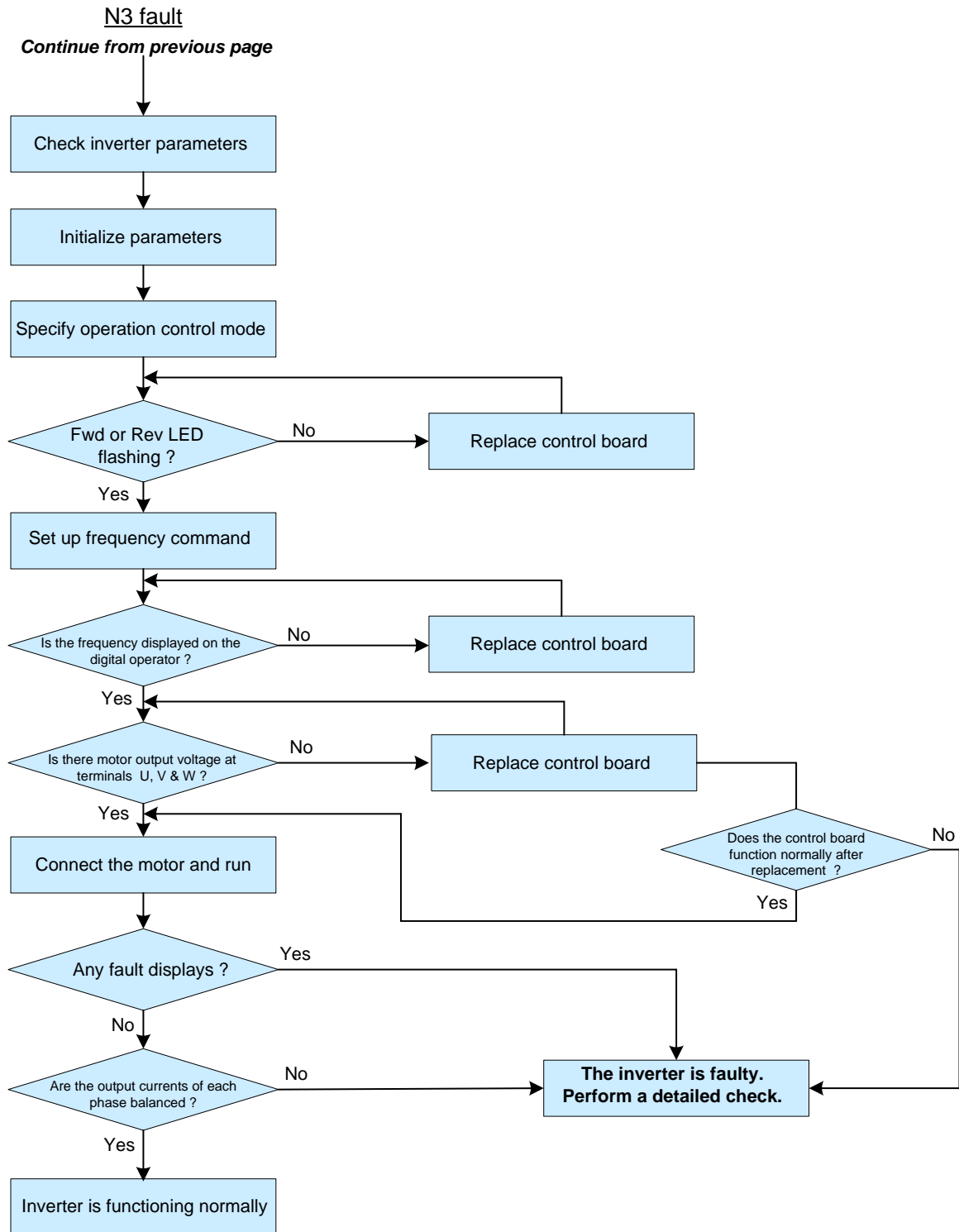
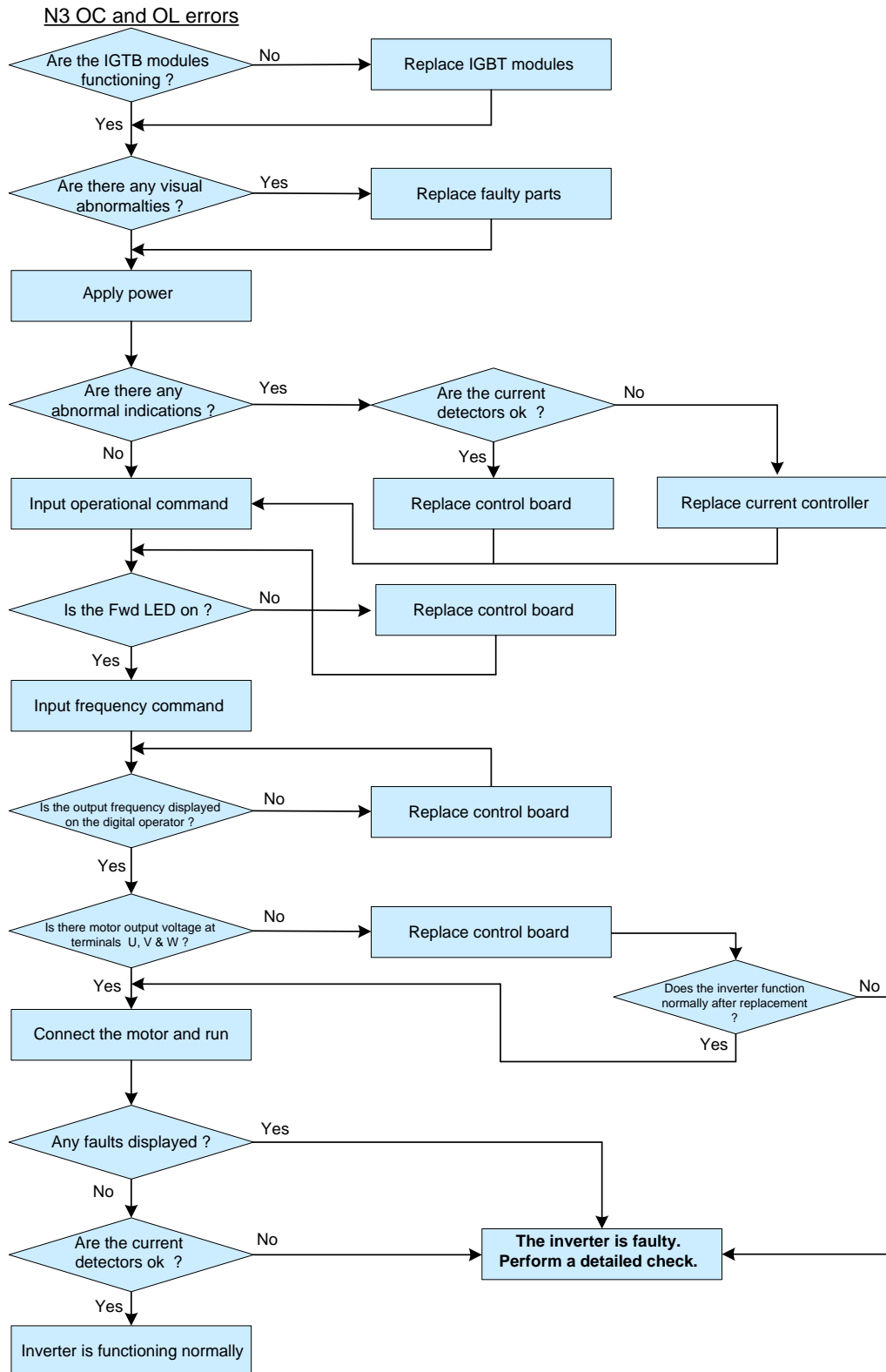


Fig. 22.1 Fault Display Troubleshooting

Cont.



**Fig. 22.1 Fault Display Troubleshooting *Cont.***



**Fig. 22.2 OC and OL Error Troubleshooting**

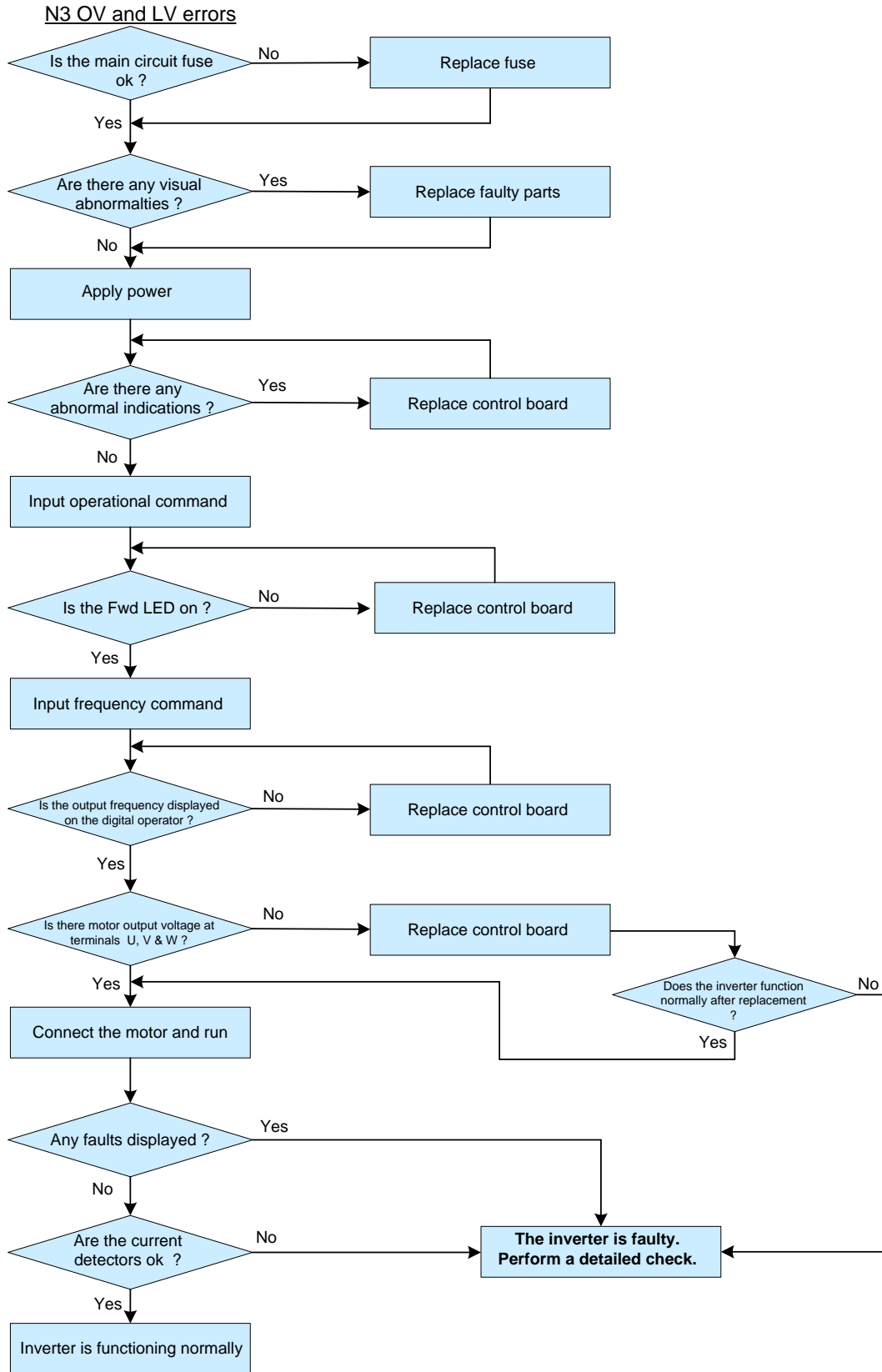
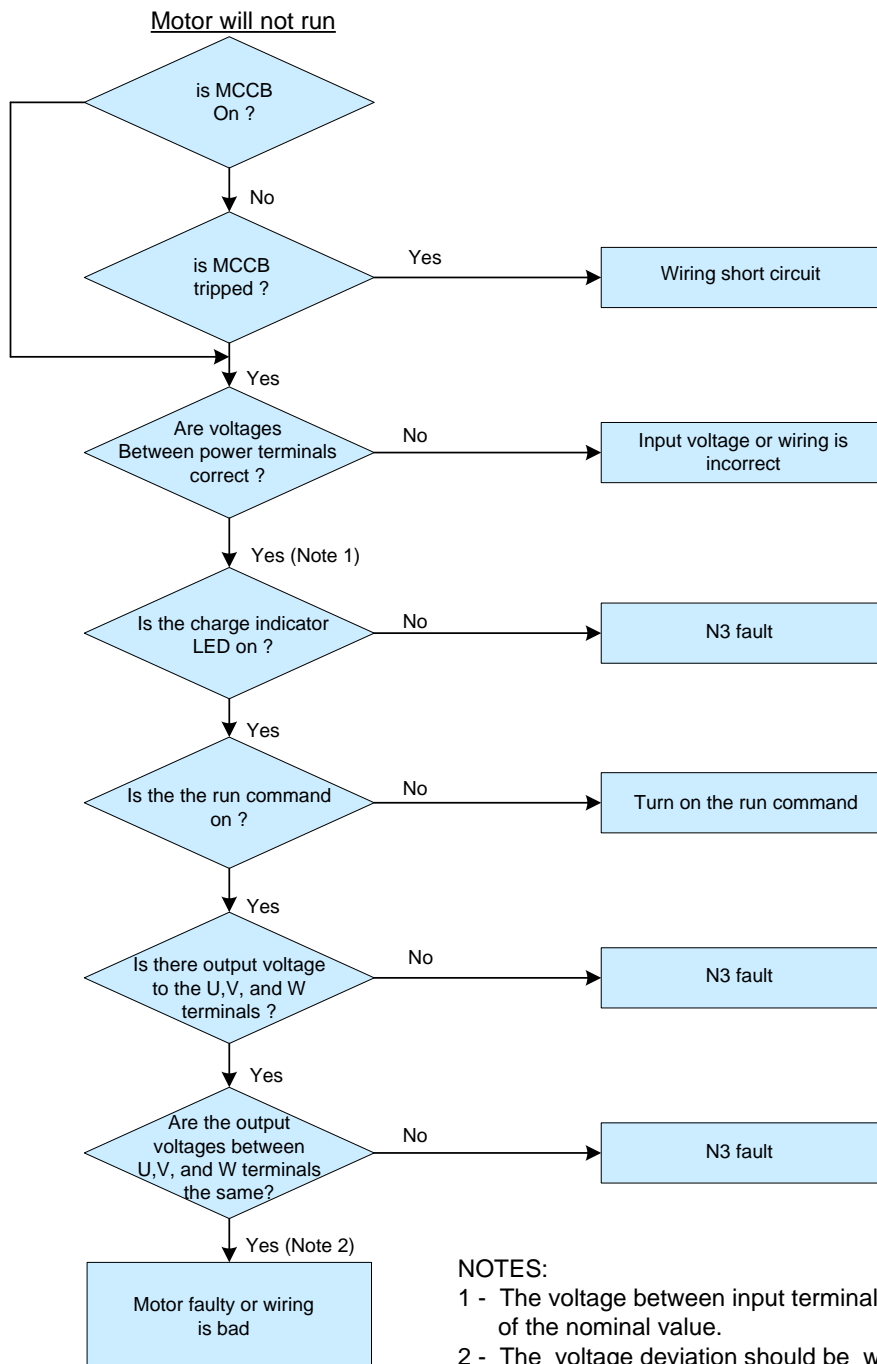
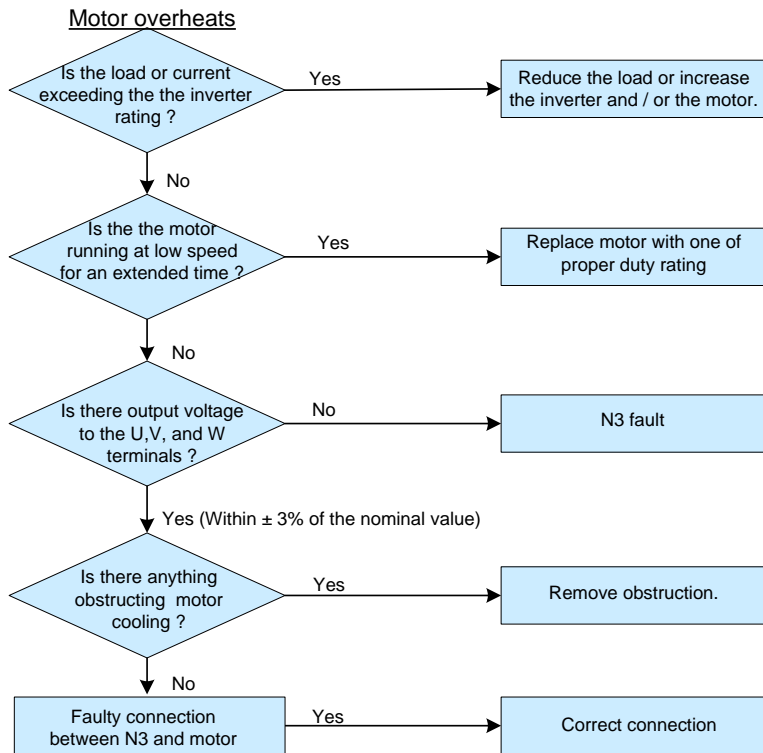


Fig. 22.3 OV and LV Error Troubleshooting

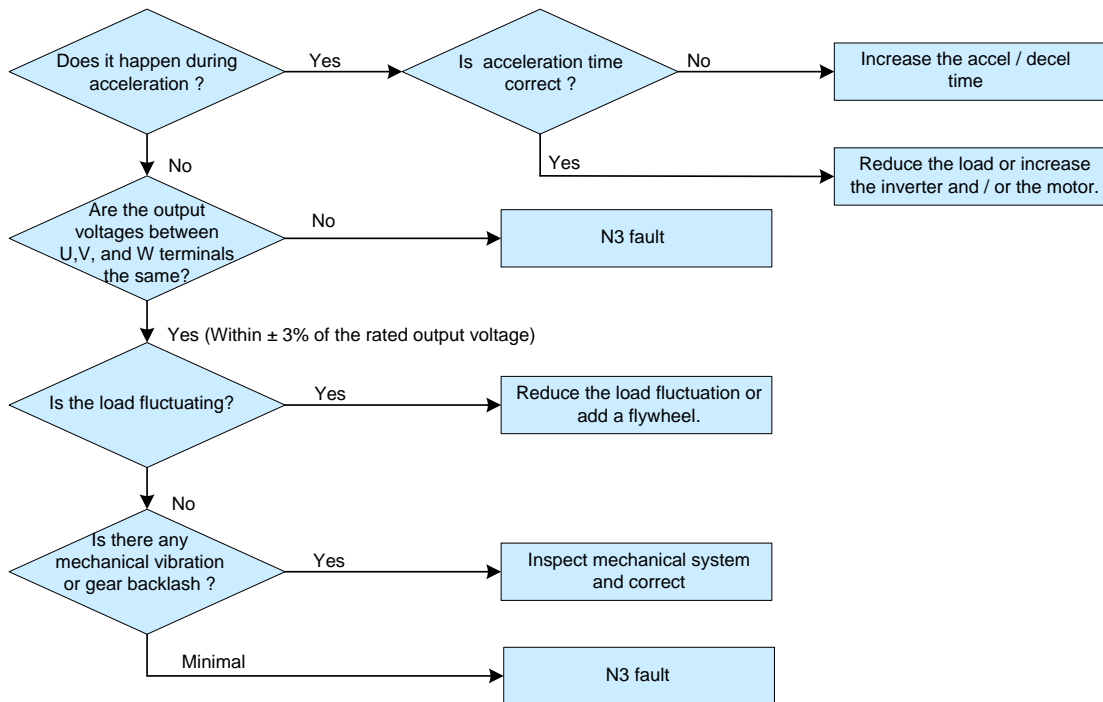




**Fig. 22.4 Motor Will Not Run**



**Fig. 22.5 Motor Overheating**



**Fig. 22.6 Motor Instability**

### 23.0 Routine periodic inspection

To ensure safe and secure operations, check and maintain the inverter and motor at regular intervals, the table below lists the suggested items to be checked on a periodic basis.

DANGER

To prevent injury to personnel and damage to the equipment, wait 5 minutes after the “charge indicator” extinguishes before touching any parts.

| Items   | Details   | Check |        | Methods                                    | Criteria  | Action  |
|---|---|-------|--------|--|---|---|
|   |   | Daily | Yearly |  |   |   |
| Ambient conditions around the drive                             | Confirm that the temperature and humidity is within specification | x     |        | Measure with thermometer and hygrometer    | Temperature:<br>-10 – 40°C<br>(14-120°F)<br>Humidity:<br>Below 95% RH | Improve the ambient or relocate the drive.          |
|   | Are there flammable or corrosive materials in the vicinity?       | x     |        | Visual check                               | Keep area clear   |   |
| Installation and grounding of the inverter                      | Any excessive vibration from the machine ?                        | x     |        | Visual, hearing check                      | No vibration  | Secure hardware                                     |
|   | Is the ground bonding resistance correct?                         |       | x      | Measure the resistance with a multi-tester | 200V series: below 100Ω<br>400V series: below 10Ω                     | C grounding   |
| Input power voltage   | Is the voltage correct?   | x     |        | Measure the voltage with a multi-tester    | Voltage must conform with the specifications                          | Correct input voltage                               |
| External terminals and internal mounting screws of the inverter | Are secure parts loose?   |       | x      | Visually check & Check with a screwdriver  | Secure terminals and no rust present                                  | Secure or return for repair                         |
|   | Is the terminal base damaged?                                     |       | x      |  |   |   |
|   | Visual rust stains present?                                       |       | x      |  |   |   |
| Internal wiring of the inverter                                 | Any unusual bends or breaks?                                      |       | x      | Visual check                               | No abnormalities  | Replace or return for repair                        |
|   | Any damage of the wire insulation?                                |       | x      |  |   |   |
| Heat sink   | Excessive dust or debris  | x     |        | Visual check                               | Clean surfaces  | Clean up debris or dust                             |
| Printed circuit boards & power modules                          | Excessive dust or debris.   |       | x      | Visual check                               | Clean surfaces with no discoloration.                                 | Clean or replace the circuit board or power modules |
|   | Discolored, overheated, or burned parts                           |       | x      |  |   |   |
| Cooling fan   | Unusual vibration and/or noise                                    |       | x      | Visual or hearing check                    | Clean surfaces  | Replace the cooling fan                             |
|   | Excessive dust or debris  | x     |        | Visual check                               |   | Clean fan   |
| Capacitor   | Any unusual odor or leakage                                       | x     |        | Visual check                               | No abnormalities  | Replace capacitor or inverter                       |

## Appendix A - Specifications

### AA.1 General Specifications

| N3 Series         |                             |  |
|-------------------|-----------------------------|--|
| Control Mode      |                             | V/F or current vector control  |
| Frequency Control | Range                       | 0.1 - 400.0 Hz   |
|                   | Starting control torque     | 150%/1Hz (current vector)  |
|                   | Speed control range         | 50:1 (current vector)  |
|                   | Speed control Accuracy      | ±0.5% (current vector)   |
|                   | Setting resolution          | Digital: 0.01Hz ( <b>Note 2</b> ), Analog: 0.06Hz/ 60Hz(10bits)  |
|                   | Keypad setting              | Set directly with ▲ ▼ keys or the VR on the keypad   |
|                   | Display function            | Four digital LED (or optional 2×16 LCD) and status indicator; displays frequency/ speed/ line speed/ DC voltage/ Output voltage/ Current/ rotation direction/ Inverter parameter/ Trouble log/ Program version   |
|                   | External signal control     | 1. External potentiometer/ 0-10V/ 0-20mA; 10-0V/ 20-0mA<br>2. Performs up/down controls, speed control, or automatic procedure control with multifunctional contacts on the terminal block (TM2)   |
|                   | Frequency limit function    | Upper/lower frequency limits and three skip frequencies  |
| General Control   | PWM Carrier frequency       | 2 - 16 kHz   |
|                   | V/F pattern                 | 18 pre-configured patterns, 1 programmable   |
|                   | Acc/Dec control             | Two-stage Acc/Dec time (0.1 – 3,600 seconds) and two-stage S curves (refer to description in <b>Sec.19</b> )   |
|                   | Multifunction analog output | 6 functions (refer to parameters <b>A103 &amp; A104</b> )  |
|                   | Multifunction input         | 30 functions (refer to parameters <b>A050 - A056</b> )   |
|                   | Multifunction output        | 16 functions (refer to parameters <b>A105 &amp; A106</b> )   |
|                   | Digital input signal        | NPN (sink) / PNP (source)  |
|                   | Other functions             | Momentary power loss restart, speed search, overload detection, 8 preset speeds. Acc/Dec switch (2 stages), S curves, 3-wire control, PID control, torque boost, slip compensation, frequency upper/ lower limit, auto energy saving, Modbus communications, and auto restart. |

Cont.

|                       |                               |  |
|-----------------------|-------------------------------|--|
| Communication control |                               | <ol style="list-style-type: none"> <li>1. RS232 or RS485</li> <li>2. Multiple inverter networking (RS485 ONLY).</li> <li>3. Baud rate, stop bit and parity can be set.</li> </ol>              |
| Braking torque        |                               | 20% - 100% for models with built-in braking transistor and braking resistor.   |
| Environmental         | Operation temperature         | 14-120°F (-10 - 50°C) ( <b>Note3</b> )   |
|                       | Storage temperature           | - 4 to 140°F (-20 to 60°C)   |
|                       | Humidity                      | 0 – 95% Relative humidity (Non-condensing)   |
|                       | Vibration                     | 1G (9.8m/s <sup>2</sup> )  |
|                       | Altitude                      | < 3,281 ft. (1000m) ( <i>De-rate for higher altitudes</i> )  |
|                       | EMC                           | Complies with requirement EN 61800-3 (with optional filter).   |
|                       | LVD                           | Complies with requirement EN 50178   |
|                       | Enclosure                     | IP20 ( NEMA with external enclosure)   |
|                       | Safety level                  | UL 508C  |
| Protective Functions  | Overload                      | 150 % for 1min   |
|                       | Over voltage                  | 230V class: DC voltage > 410V 460V class: DC voltage > 820V  |
|                       | Under voltage                 | 230V class: DC voltage < 190V 460V class: DC voltage < 380V  |
|                       | Momentary power loss restart  | For power interruptions of 15 ms or more and less than 2 sec., operation can be continued. (refer to parameters <b>A013 &amp; A014</b> )   |
|                       | Stall prevention              | Stall prevention for acceleration/ deceleration/ operation.  |
|                       | Short-circuit output terminal | Electronic circuit protection  |
|                       | Grounding fault               | Electronic circuit protection  |
|                       | Other functions               | Protection for overheating of heat sink, over torque detection, error contact control, reverse prohibit, prohibit for direct start after power up, and error recovery, and parameter lock out. |

Note 1: 220V, 15HP and above **are not** CE compliant

Note 2: The frequency setting resolution above 100Hz is 0.1Hz when controlled by the keypad and 0.01 Hz when controlled by a computer (PC) or programmable controller (PLC).

Note 3: 14 -120°F (-10 - 50°C) Open chassis (without dustproof cover),  
 14 -104°F (-10 - 40°C) NEMA 1 (with dustproof cover).

**AA.2 Product (Model) Specifications**

**Single Phase, 200-240V**

| <b>N3-2xx-CS</b>                             | <b>P5</b>   | <b>01</b> | <b>02</b> | <b>03</b> |
|--|---|-----------|-----------|-----------|
| Horsepower(HP)                               | 0.5   | 1         | 2         | 3         |
| Max applicable motor output (KW)             | 0.4   | 0.75      | 1.5       | 2.2       |
| Rated output current(A)                      | 3.1   | 4.5       | 7.5       | 10.5      |
| Rated capacity(KVA)                          | 1.2   | 1.7       | 2.9       | 4.0       |
| Max. input voltage                           | <b>Single Phase: 200 - 240V +10% -15%, 50/60Hz ± 5%</b> |           |           |           |
| Max. output voltage                          | <b>Three Phase: 200 - 240V</b>                          |           |           |           |
| Input current(A)                             | 8.5   | 12        | 16        | 23.9      |
| Net weight Lb(KG)                            | 2.87(1.3)   | 2.87(1.3) | 3.31(1.8) | 5.07(2.3) |
| Allowable momentary power loss time (second) | 1.0   | 1.0       | 2.0       | 2.0       |

**Three Phase, 200 – 240V**

| <b>N3-2xx-C/N1</b>                           | <b>P5</b>   | <b>01</b>     | <b>02</b>     | <b>03</b>      | <b>05</b>     | <b>07</b>     | <b>10</b>     | <b>15</b>    | <b>20</b>    | <b>25</b>    | <b>30*</b>   | <b>40*</b>   |
|--|---|---------------|---------------|----------------|---------------|---------------|---------------|--------------|--------------|--------------|--------------|--------------|
| Horsepower(HP)                               | 0.5   | 1             | 2             | 3              | 5             | 7.5           | 10            | 15           | 20           | 25           | 30           | 40           |
| Max applicable motor output (KW)             | 0.4   | 0.75          | 1.5           | 2.2            | 3.7           | 5.5           | 7.5           | 11           | 15           | 18.5         | 22           | 30           |
| Rated output current(A)                      | 3.1   | 4.5           | 7.5           | 10.5           | 17.5          | 26            | 35            | 48           | 64           | 80           | 96           | 130          |
| Rated capacity(KVA)                          | 1.2   | 1.7           | 2.9           | 4.0            | 6.7           | 9.9           | 13.3          | 20.6         | 27.4         | 34           | 41           | 54           |
| Max. input voltage                           | <b>Three phase: 200 - 240V +10% -15% , 50/60Hz ± 5%</b> |               |               |                |               |               |               |              |              |              |              |              |
| Max. output voltage                          | <b>Three Phase: 200 - 240V</b>                          |               |               |                |               |               |               |              |              |              |              |              |
| Input current(A)                             | 4.5   | 6.5           | 11            | 12.5           | 20.5          | 33            | 42            | 57           | 70           | 85           | 108          | 138          |
| Net weight Lb(KG)                            | 2.65<br>(1.2)   | 2.65<br>(1.2) | 2.65<br>(1.2) | 3.85<br>(1.75) | 4.19<br>(1.9) | 12.3<br>(5.6) | 12.3<br>(5.6) | 33.1<br>(15) | 33.1<br>(15) | 33.1<br>(15) | 72.8<br>(33) | 75.0<br>(34) |
| Allowable momentary power loss time (second) | 1.0   | 1.0           | 2.0           | 2.0            | 2.0           | 2.0           | 2.0           | 2.0          | 2.0          | 2.0          | 2.0          | 2.0          |

**Three Phase, 380 – 480V**

| <b>N3-4xx-C/N1</b>               | <b>01</b> | <b>02</b> | <b>03</b> | <b>05</b> | <b>07</b> | <b>10</b> | <b>15</b> | <b>20</b> | <b>25</b> | <b>30</b> | <b>40*</b> | <b>50*</b> | <b>60*</b> | <b>75*</b> |
|----------------------------------|-----------|-----------|-----------|-----------|-----------|-----------|-----------|-----------|-----------|-----------|------------|------------|------------|------------|
| Horsepower(HP)                   | 1         | 2         | 3         | 5         | 7.5       | 10        | 15        | 20        | 25        | 30        | 40         | 50         | 60         | 75         |
| Max applicable motor output (KW) | 0.75      | 1.5       | 2.2       | 3.7       | 5.5       | 7.5       | 11        | 15        | 18.5      | 22        | 30         | 37         | 45         | 55         |
| Rated output current(A)          | 2.3       | 3.8       | 5.2       | 8.8       | 13.0      | 17.5      | 25        | 32        | 40        | 48        | 64         | 80         | 96         | 128        |
| Rated capacity(KVA)              | 1.7       | 2.9       | 4.0       | 6.7       | 9.9       | 13.3      | 19.1      | 27.4      | 34        | 41        | 54         | 68         | 82         | 110        |
| <i>Cont.</i>                     |           |           |           |           |           |           |           |           |           |           |            |            |            |            |

| <b>Three Phase, 380 – 480V I cont.</b>       |   |               |               |               |               |               |               |              |              |              |              |              |             |             |
|--|---|---------------|---------------|---------------|---------------|---------------|---------------|--------------|--------------|--------------|--------------|--------------|-------------|-------------|
| Max. input voltage                           | <b>Three Phase:380 - 480V +10% -15%, 50/60Hz ± 5%</b> |               |               |               |               |               |               |              |              |              |              |              |             |             |
| Max. output voltage                          | <b>Three Phase: 380 - 480V</b>                        |               |               |               |               |               |               |              |              |              |              |              |             |             |
| Input current(A)                             | 4.2   | 5.6           | 7.3           | 11.6          | 17            | 23            | 31            | 38           | 48           | 56           | 75           | 92           | 112         | 142         |
| Net weight Lb(KG)                            | 2.87<br>(1.3)   | 2.87<br>(1.3) | 3.31<br>(2.2) | 3.31<br>(2.2) | 12.3<br>(6.6) | 12.3<br>(6.6) | 12.3<br>(6.6) | 33.1<br>(15) | 33.1<br>(15) | 33.1<br>(15) | 72.8<br>(33) | 72.8<br>(33) | 110<br>(50) | 110<br>(50) |
| Allowable momentary power loss time (second) | 1.0   | 1.0           | 2.0           | 2.0           | 2.0           | 2.0           | 2.0           | 2.0          | 2.0          | 2.0          | 2.0          | 2.0          | 2.0         | 2.0         |

*\*Note: DC Reactor built-in (230V: 30 - 40 HP and 440V: 40 – 75 HP)*

NOTES:

**Appendix B - N3 Motor Internal Parameter List**

Initial (Factory) setting of the motor internal parameters:

| N3 Model | Motor Data Parameters          |                         |                     |                            |                           |                                   |                                  |  |   |  |
|----------|--------------------------------|-------------------------|---------------------|----------------------------|---------------------------|-----------------------------------|----------------------------------|--|---|--|
|          | * A001<br>Rated Voltage<br>Vac | A002<br>Rated Amps<br>A | A003<br>Rated<br>HP | A004<br>Rated Speed<br>RPM | A005<br>Rated Freq.<br>Hz | A168<br>Stator<br>Resistance<br>Ω | A169<br>Rotor<br>Resistance<br>Ω | A170<br>Equivalent<br>Inductance<br>mH | A171<br>Magnetizing<br>Current<br>Amps (AC) | A172<br>Iron Loss<br>Conductance<br>gm |
| 2P5      | 230                            | 1.8                     | 0.5                 | 1710                       | 60                        | 200                               | 200                              | 800                                    | 7200  | 0                                      |
| 201      |                                | 3.4                     | 1.0                 | 1680                       |                           | 380                               | 300                              |  |   |  |
| 401      | 460                            | 1.6                     |                     |                            |                           | 230                               | 300                              |  |   |  |
| 202      | 230                            | 6.1                     | 2.0                 | 300                        |                           |                                   | 280                              |  |   |  |
| 402      | 460                            | 3.0                     |                     | 230                        |                           | 280                               | 240                              |  |   |  |
| 203      | 230                            | 8.7                     | 3.0                 |                            |                           | 260                               | 200                              |  |   |  |
| 403      | 460                            | 4.3                     |                     | 5.0                        |                           | 240                               | 160                              |  |   |  |
| 205      | 230                            | 13.5                    | 7.5                 |                            |                           | 1745                              | 220                              |  |   |  |
| 405      | 460                            | 6.8                     |                     | 10                         |                           |                                   | 200                              |  |   |  |
| 207      | 230                            | 20.0                    | 15                  |                            |                           | 1760                              | 180                              |  |   |  |
| 407      | 460                            | 13.0                    |                     | 1750                       |                           |                                   |                                  | 1750                                   |   |  |
| 210      | 230                            | 26                      | 20                  |                            |                           | 1760                              |                                  |  |   |  |
| 410      | 460                            | 12.5                    |                     | 25                         |                           | 1750                              |                                  |  |   |  |
| 215      | 230                            | 37                      | 30                  |                            |                           | 1760                              |                                  |  |   |  |
| 415      | 460                            | 18.5                    |                     | 40                         |                           | 1750                              |                                  |  |   |  |
| 220      | 230                            | 50                      | 40                  |                            |                           | 1760                              |                                  |  |   |  |
| 420      | 460                            | 25                      |                     | 30                         |                           |                                   |                                  | 1750                                   |   |  |
| 225      | 230                            | 63                      | 30                  |                            |                           | 1760                              |                                  |  |   |  |
| 425      | 460                            | 36                      |                     | 40                         |                           |                                   |                                  | 1750                                   |   |  |
| 230      | 230                            | 73                      | 50                  |                            |                           | 1760                              |                                  |  |   |  |
| 430      | 460                            | 36.5                    |                     | 60                         | 1750                      |                                   |                                  |  |   |  |
| 240      | 230                            | 98                      | 75                  |                            |                           | 1760                              |                                  |  |   |  |
| 440      | 460                            | 49                      |                     | 1760                       | 1760                      |                                   |                                  |  |   |  |
| 450      |                                | 72                      | 1760                |                            |                           | 1760                              |                                  |  |   |  |
| 460      |                                | 73                      |                     | 1760                       | 1760                      |                                   |                                  |  |   |  |
| 475      |                                | 108                     | 1760                |                            |                           | 1760                              |                                  |  |   |  |

\*The values shown for parameter A001 (Rated Voltage) is for 60 Hz. For 50 Hz., the rated voltage for the (200V Class) is 220V and for the (400V Class) is 440V.

- 1.) Initially the drive HP code, parameter A175, sets the factory default motor internal parameters (A168 – A172) as shown in the above table. These parameters are used for *Vector Control Mode* only (A000 = 0000 or 0001) and are not used in *V/F Control Mode* (A000 = 0002).
- 2.) When an auto-tune is performed (A006 = 0001), the motor internal parameters (A168 - 172) will be automatically updated to the values measured during the auto tune process. These values are maintained when a factory reset is performed.
- 3.) If the motor is replaced, the auto-tune procedure must once again be carried out. If the parameters (A168 – 172) are known, they may be entered directly without auto-tuning.
- 4.) The motor parameters (A168 to A172) will be modified to the factory setting under any operation mode, when changing the Drive Horsepower code (A175).



**Appendix C – Table C - N3 Envelope Dimensions and Weights vs Model No.**

| Model No.                 | Approx. Wt. Lbs. / Kg | Frame Size | Envelope Dimensions - Inches / ( mm ) |         |         |         |         |       |       |
|---------------------------|-----------------------|------------|---------------------------------------|---------|---------|---------|---------|-------|-------|
|                           |                       |            | H                                     | W       | D       | a       | b       | c     | m     |
| <b>230V 1 Phase Input</b> |                       |            |                                       |         |         |         |         |       |       |
| N3 – 2P5 - CS             | 3 / 1.36              | 1          | 6.42                                  | 3.54    | 5.79    | 5.9     | 3.07    | 0.28  | 0.22  |
| N3 – 201 - CS             |                       |            | (163)                                 | (90)    | (147)   | (150)   | (78)    | (7)   | (5.5) |
| N3 – 202 - CS             | 4 / 1.81              | 2          | 7.36                                  | 5.04    | 5.83    | 6.71    | 4.51    | 0.28  | 0.22  |
| N3 – 203 - CS             | 5 / 2.27              |            | (187.1)                               | (128)   | (148)   | (170.5) | (114.6) | (7)   | (5.5) |
| <b>230V 3-Phase Input</b> |                       |            |                                       |         |         |         |         |       |       |
| N3 – 2P5 - C              | 3 / 1.36              | 1          | 6.42                                  | 3.54    | 5.79    | 5.9     | 3.07    | 0.28  | 0.22  |
| N3 – 201 - C              |                       |            | (163)                                 | (90)    | (147)   | (150)   | (78)    | (7)   | (5.5) |
| N3 – 202 - C              |                       |            |                                       |         |         |         |         |       |       |
| N3 – 203 - C              | 4 / 1.81              | 2          | 7.36                                  | 5.04    | 5.83    | 6.71    | 4.51    | 0.28  | 0.22  |
| N3 – 205 - C              | 5 / 2.27              |            | (187.1)                               | (128)   | (148)   | (170.5) | (114.6) | (7)   | (5.5) |
| N3 – 207 - C              | 13 / 5.9              | 3          | 10.24                                 | 7.32    | 7.68    | 9.61    | 6.81    | X     | 0.22  |
| N3 – 210 - C              |                       |            | (260)                                 | (186)   | (195)   | (244)   | (173)   | (7)   | (5.5) |
| N3 – 215 - N1             | 27 / 12.25            | 4          | 14.2                                  | 10.4    | 9.7     | 13.4    | 9.6     | X     | 0.3   |
| N3 – 220 - N1             |                       |            | (360)                                 | (265)   | (247.5) | (340)   | (245)   | (7.0) |       |
| N3 – 225 - N1             |                       |            | 29 / 13.15                            |         |         |         |         |       |       |
| N3 – 230 - N1             | 67.0                  | 5          | 25.5                                  | 10.7    | 10.4    | 20.9    | 8.3     | X     | 0.4   |
| N3 – 240 - N1             | (30.9)                |            | (647.6)                               | (272.6) | (263.5) | (530)   | (210)   | (10)  |       |
| <b>460V 3-Phase Input</b> |                       |            |                                       |         |         |         |         |       |       |
| N3 – 401 - C              | 3 / 1.36              | 1          | 6.42                                  | 3.54    | 5.79    | 5.9     | 3.07    | 0.28  | 0.22  |
| N3 – 402 - C              |                       |            | (163)                                 | (90)    | (147)   | (150)   | (78)    | (7)   | (5.5) |
| N3 – 403 - C              | 4 / 1.81              | 2          | 7.36                                  | 5.04    | 5.83    | 6.71    | 4.51    | 0.28  | 0.22  |
| N3 – 405 - C              |                       |            | (187.1)                               | (128)   | (148)   | (170.5) | (114.6) | (7)   | (5.5) |
| N3 – 407 - C              | 13 / 5.9              | 3          | 10.24                                 | 7.32    | 7.68    | 9.61    | 6.81    | X     | 0.22  |
| N3 – 410 - C              |                       |            | (260)                                 | (186)   | (195)   | (244)   | (173)   | (5.5) |       |
| N3 – 415 - C              |                       |            |                                       |         |         |         |         |       |       |
| N3 – 420 - N1             | 27 / 12.25            | 4          | 14.2                                  | 10.4    | 9.7     | 13.4    | 9.6     | X     | 0.3   |
| N3 – 425 - N1             | (360)                 |            | (265)                                 | (247.5) | (340)   | (245)   | (7.0)   |       |       |
| N3 – 430 - N1             | 29 / 13.15            |            |                                       |         |         |         |         |       |       |
| N3 – 440 - N1             | 67 / 30.89            | 5          | 25.5                                  | 10.7    | 10.4    | 20.9    | 8.3     | X     | 0.4   |
| N3 – 450 - N1             |                       |            | (647.6)                               | (272.6) | (263.5) | (530)   | (210)   | (10)  |       |
| N3 – 460 - N1             | 102 / 46.27           | 6          | 29.6                                  | 12.3    | 10.5    | 24.8    | 9.8     | X     | 0.4   |
| N3 – 475 - N1             |                       |            | (751.9)                               | (312.4) | (265.9) | (630)   | (250)   | (10)  |       |

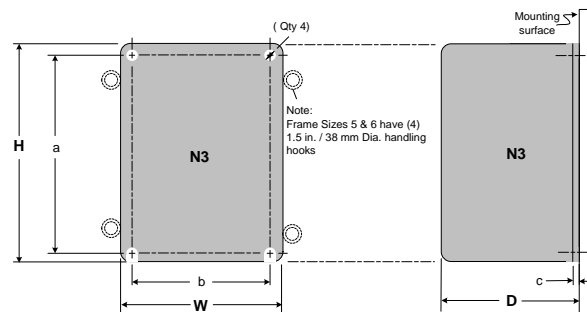


Fig. AC.1 N3 Envelope Dimensional Information

## Appendix D – N3 Cover Removal Procedure for Various Frame Sizes

The following Fig.'s show the cover removal for the various N3 frame sizes 1 thru 6. The Models correlating to the frame sizes are covered in Appendix C.

! DANGER

**Do not** Remove any covers while power is supplied to the equipment as lethal voltages are present. Wait at least 5 min. after disconnecting power and ensure the charge indicating lamp is off.

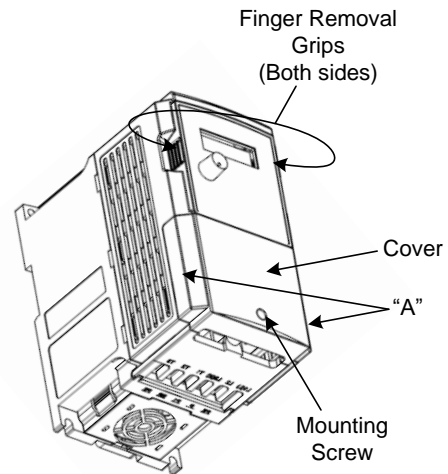
### Cover Removal Procedure

- 1 – Loosen the mounting screw completely.
- 2 – Push in on the sides of the cover at points "A" and lift and remove the cover.

### Cover Replacement

- 1 – Set the cover and snap into place and secure with the mounting screw.

Note: If it is desired to remove the Digital Operator, grip it at the the points shown and pull it *straight* out. (The Operator has a connector that plugs directly into to the chassis.) To replace the Digital Operator insert it by carefully lining up the connector and pushing *straight* in.



**Fig. AD.1 Cover Removal for N3 Frame Sizes 1 & 2**

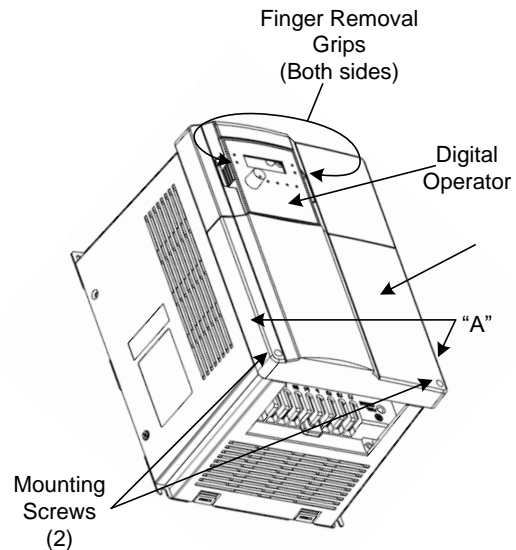
### Cover Removal Procedure

- 1 – Loosen the two mounting screws completely.
- 2 – Push in on the sides of the cover at points "A" and lift and remove the cover.

### Cover Replacement

- 1 – Set the cover and snap into place and secure with the two mounting screws.

Note: If it is desired to remove the Digital Operator, grip it at the the points shown and pull it *straight* out. (The Operator has a connector that plugs directly into to the chassis.) To replace the Digital Operator insert it by carefully lining up the connector and pushing *straight* in.



**Fig. AD.2 Cover Removal for N3 Frame Size 3**

**Cover Removal Procedure**

- 1 – First remove the Digital Operator by gripping at the points shown and pulling *straight* out. (The Operator has a connector that plugs directly into the chassis.)
- 2 – Loosen the four mounting screws and lift off the cover.

**Cover Replacement**

- 1 – Set the cover in place and secure with the four mounting screws.
- 2 – Next insert the Digital Operator by carefully lining up the connector and pushing *straight* in.

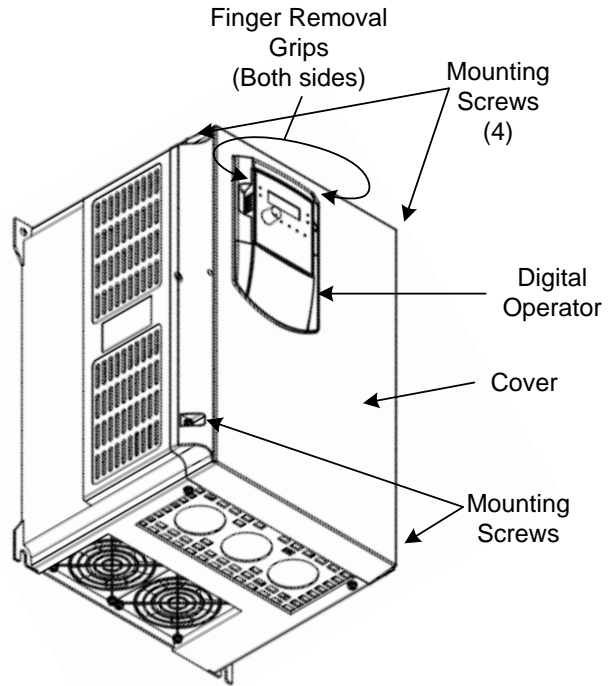


Fig. AD.3 Cover Removal for N3 Frame Size 4

**Cover Removal Procedure**

- 1 – First remove the Digital Operator by gripping at the points shown and pulling *straight* out. (The Operator has a connector that plugs directly into the chassis.)
- 2 – Loosen both mounting screws “A” and back out but do not remove.
- 3 – Loosen and remove both mounting screws “B”.
- 4 – Slide the main cover up and lift off.
- 5 – The conduit box cover if needed may be removed in essentially the same way.

**Cover Replacement**

- 1 – Slide the main cover screw slots over screws “A” and set in place.
- 2 – Insert and tighten screws “B” and then tighten screws “A”.
- 3 – Next insert the Digital Operator by carefully lining up the connector and pushing *straight* in.
- 4 – Replace the conduit box cover if it was removed.

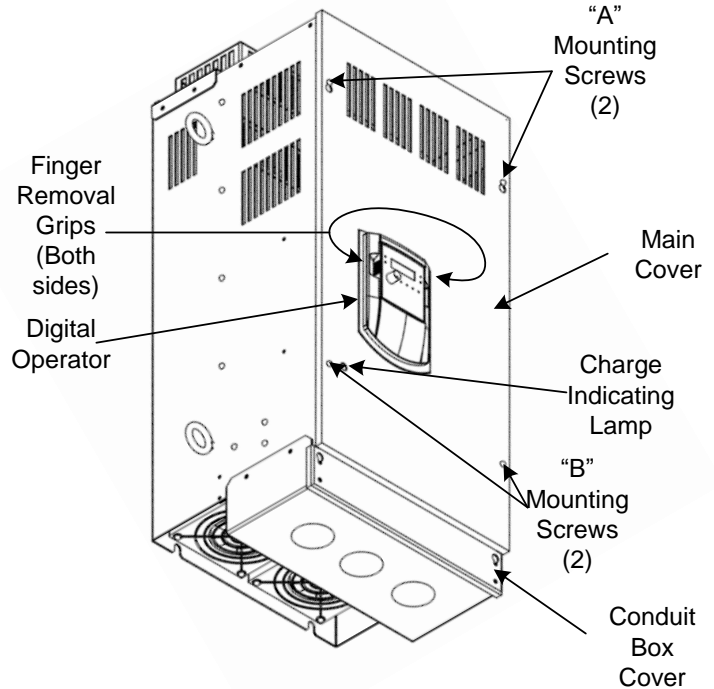


Fig. AD.4 Cover Removal for N3 Frame Sizes 5 & 6

## Appendix E – EMC Filter Dimensions

### Filter Dimensions

The following Fig.'s AE.1– AE.3 show the dimensions of the filter models covered in **Section 16.0**. The electrical connections and specifications will be covered by the cut sheet received with the specific filter.

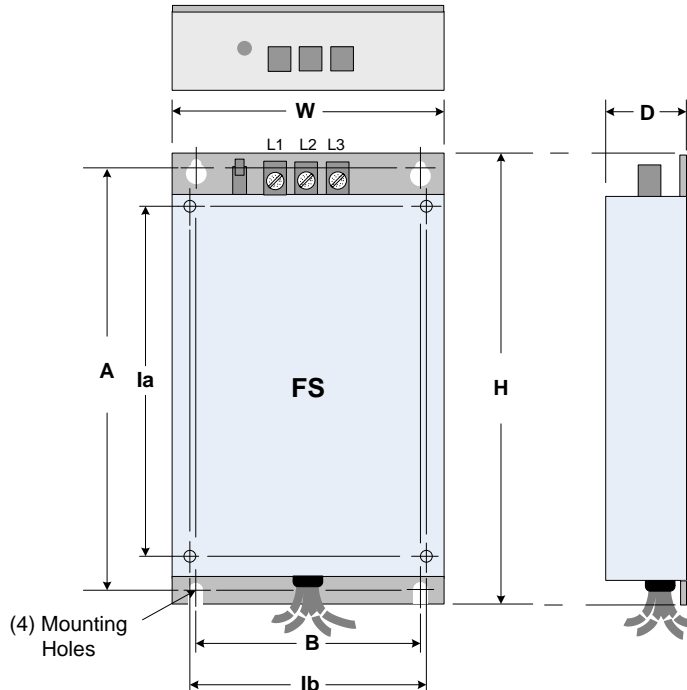


Fig. AE.1 FS Type Filter

| SIZE<br>FILTER MODEL   | Inverter Mounting Dimensions<br><i>in (mm)</i> |                 | External Filter Dimensions<br><i>in (mm)</i> |                |              |               |                |
|--|--|-----------------|--|----------------|--------------|---------------|----------------|
|  | la   | lb              | W  | H              | D            | B             | A              |
| FS 6146 - 11 - 07<br>FS 6147 - 8.9 - 07<br>FS 6149- 4.6 - 07 | 3.07<br>(78)                                   | 5.91<br>(150)   | 3.58<br>(91)                                 | 7.56<br>(192)  | 1.10<br>(28) | 2.91<br>(74)  | 7.13<br>(181)  |
| FS 6146 - 27 - 07<br>FS 6147 - 19 - 07<br>FS 6149 - 10 07    | 4.51<br>(114.6)                                | 6.71<br>(170.5) | 5.04<br>(128)                                | 46<br>(215)    | 1.46<br>(37) | 4.37<br>(111) | 8.03<br>(204)  |
| FS 6147 - 39 - 07<br>FS 6149 - 28 - 07                       | 6.81<br>(173)                                  | 9.61<br>(244)   | 7.40<br>(188)                                | 11.34<br>(289) | 1.65<br>(42) | 6.50<br>(165) | 10.94<br>(278) |

Cont.

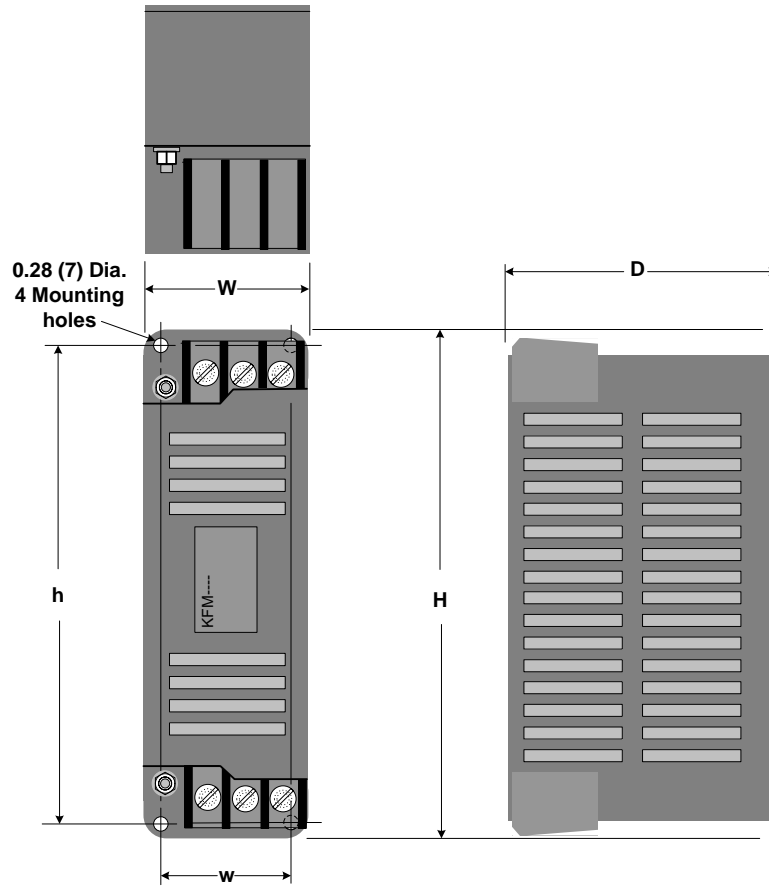


Fig. AE.2 KMF Type Filter

| Model    | KMF Dimensions in. (mm) |            |            |            |            |
|----------|-------------------------|------------|------------|------------|------------|
|          | W                       | w          | H          | h          | D          |
| KMF370A  | 3.66 (93)               | 3.11 (79)  | 12.3 (312) | 11.7 (298) | 7.48 (190) |
| KMF3100A | 3.66 (93)               | 3.11 (79)  | 12.3 (312) | 11.7 (298) | 7.48 (190) |
| KMF3150A | 4.96 (126)              | 4.41 (112) | 12.3 (312) | 11.7 (298) | 8.82 (224) |
| KMF3180A | 4.96 (126)              | 4.41 (112) | 12.3 (312) | 11.7 (298) | 8.82 (224) |

Cont.

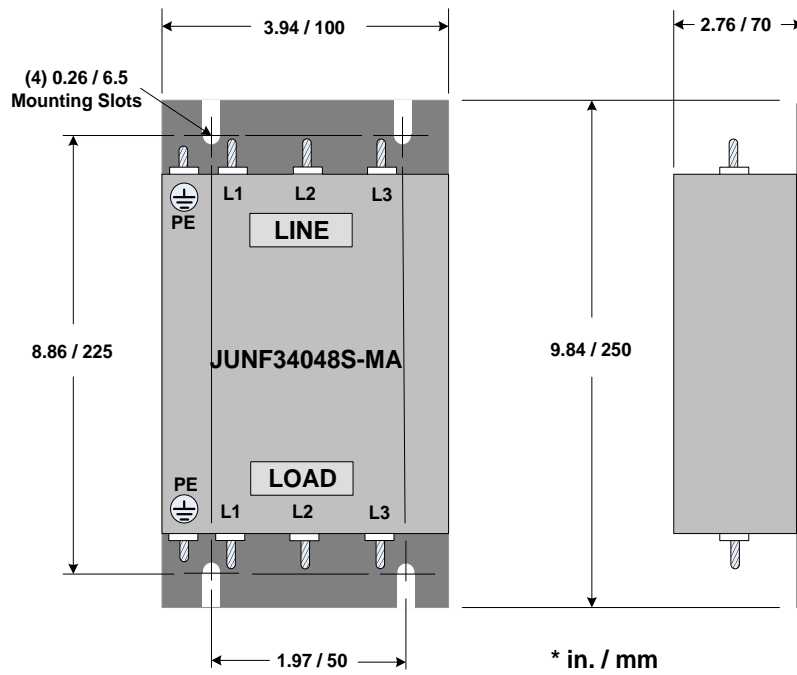


Fig. AE.3 JUN Type Filter

NOTES:

**Appendix F – Inverter Parameter Setting List**

| Customer: |         |      |         |      |         | N3 Model No. |         |      |         |      |         |
|-----------|---------|------|---------|------|---------|--------------|---------|------|---------|------|---------|
| Site:     |         |      |         |      |         | Equipment:   |         |      |         |      |         |
| b         |         | A    |         |      |         |              |         |      |         |      |         |
| Para      | Setting | Para | Setting | Para | Setting | Para         | Setting | Para | Setting | Para | Setting |
| b000      |         | A000 |         | A037 |         | A074         |         | A111 |         | A148 |         |
| b001      |         | A001 |         | A038 |         | A075         |         | A112 |         | A149 |         |
| b002      |         | A002 |         | A039 |         | A076         |         | A113 |         | A150 |         |
| b003      |         | A003 |         | A040 |         | A077         |         | A114 |         | A151 |         |
| b004      |         | A004 |         | A041 |         | A078         |         | A115 |         | A152 |         |
| b005      |         | A005 |         | A042 |         | A079         |         | A116 |         | A153 |         |
| b006      |         | A006 |         | A043 |         | A080         |         | A117 |         | A154 |         |
| b007      |         | A007 |         | A044 |         | A081         |         | A118 |         | A155 |         |
| b008      |         | A008 |         | A045 |         | A082         |         | A119 |         | A156 |         |
| b009      |         | A009 |         | A046 |         | A083         |         | A120 |         | A157 |         |
| b010      |         | A010 |         | A047 |         | A084         |         | A121 |         | A158 |         |
| b011      |         | A011 |         | A048 |         | A085         |         | A122 |         | A159 |         |
| b012      |         | A012 |         | A049 |         | A086         |         | A123 |         | A160 |         |
| b013      |         | A013 |         | A050 |         | A087         |         | A124 |         | A161 |         |
| b014      |         | A014 |         | A051 |         | A088         |         | A125 |         | A162 |         |
| b015      |         | A015 |         | A052 |         | A089         |         | A126 |         | A163 |         |
| b016      |         | A016 |         | A053 |         | A090         |         | A127 |         | A164 |         |
|           |         | A017 |         | A054 |         | A091         |         | A128 |         | A165 |         |
|           |         | A018 |         | A055 |         | A092         |         | A129 |         | A166 |         |
|           |         | A019 |         | A056 |         | A093         |         | A130 |         | A167 |         |
|           |         | A020 |         | A057 |         | A094         |         | A131 |         | A168 |         |
|           |         | A021 |         | A058 |         | A095         |         | A132 |         | A169 |         |
|           |         | A022 |         | A059 |         | A096         |         | A133 |         | A170 |         |
|           |         | A023 |         | A060 |         | A097         |         | A134 |         | A171 |         |
|           |         | A024 |         | A061 |         | A098         |         | A135 |         | A172 |         |
|           |         | A025 |         | A062 |         | A099         |         | A136 |         | A173 |         |
|           |         | A026 |         | A063 |         | A100         |         | A137 |         | A174 |         |
|           |         | A027 |         | A064 |         | A101         |         | A138 |         | A175 |         |
|           |         | A028 |         | A065 |         | A102         |         | A139 |         | A176 |         |
|           |         | A029 |         | A066 |         | A103         |         | A140 |         | A177 |         |
|           |         | A030 |         | A067 |         | A104         |         | A141 |         | A178 |         |
|           |         | A031 |         | A068 |         | A105         |         | A142 |         | A179 |         |
|           |         | A032 |         | A069 |         | A106         |         | A143 |         | A180 |         |
|           |         | A033 |         | A070 |         | A107         |         | A144 |         | A181 |         |
|           |         | A034 |         | A071 |         | A108         |         | A145 |         |      |         |
|           |         | A035 |         | A072 |         | A109         |         | A146 |         |      |         |
|           |         | A036 |         | A073 |         | A110         |         | A147 |         |      |         |

**Appendix G – Version 1.3 Changes**

**Overview**

The changes to the N3 inverter for firmware Version 1.3 consist of some hardware and **A** (advanced) parameter additions and modifications. Basically for models in the 3 – 75 HP range, the control terminal digital and analog grounds were isolated from each other and the **S6/AI2** multifunctional input terminal was separated into two terminals where **S6** is exclusively a digital input and **AI2** is exclusively an analog input. Also some **A** (advanced) parameters were added and / or modified. The following will describe the details of the changes

**Hardware Changes:**

**Models in the 3 – 75 HP range:**

Prior to Version 1.3, control terminal **S6/AI2** served as a multi function terminal and could be programmed to be a digital or analog input and control terminal **COM** was the common connection for both analog and digital inputs. In Version 1.3 separate control terminals **AI2** (analog input 2) and **AGND** (analog ground) were added to the N3 Models covering the 3 – 75 HP range. Also terminal **S6** is a digital input only. (See Fig. 10.2.3, **Sec. 10.0** Control Terminals, and General Wiring Diagram **6.0**)

**Models in the 1 - 2 HP range:**

There are no hardware changes in Version 1.3 for models in the 1-2 HP range. As in previous versions control terminal **S6/AI2** is a multi function terminal and can be programmed to be a digital or analog input. This is also applicable to 3 – 75 HP Models prior to Version 1.3. (See **Sec. 10.0** Control Terminals and General Wiring Diagram **5.0**)

**Parameter Changes: (See Sec. 19.0 for parameter details)**

**Models in the 3 – 75 HP range:**

Parameter A049 was added.

| VER. | Parameter | LCD Display  | Description      | Range        | Factory Setting |
|------|-----------|--------------|------------------|--------------|-----------------|
| 1.3  | A049      | AI2 Function | AI2 Function Set | 20 / 21 / 22 | 20              |

Parameters A055 – A056, A097, and A0154 were modified.

| VER.  | Parameter | LCD Display      | Description                         | Range  | Factory Setting |
|-------|-----------|------------------|-------------------------------------|--|-----------------|
| 1.3   | A050-A055 | S1 – S6 Term Sel | Multifunctional Input Term. S1 – S6 | 0008: Base Block <b>A Contact</b><br>0020: PID Feedback Signal AI2 (terminal <b>AI2</b> )                    | 0023            |
|       | A056      | AIN Term Sel     | Multifunctional Input Term. AIN     | 0021: AI2 Bias Signal 1 Input (terminal <b>AI2</b> )<br>0022: AI2 Bias Signal 2 Input (terminal <b>AI2</b> ) | See Sec. 19.0   |
| Prior | A050-A055 | S1 – S6 Term Sel | Multifunctional Input Term. S1 – S6 | 0008: Base Block<br>0020: PID Feedback Signal AI2 (terminal <b>S6</b> )                                      | 0023            |
|       | A056      | AIN Term Sel     | Multifunctional Input Term. AIN     | 0021: AI2 Bias Signal 1 Input (terminal <b>S6</b> )<br>0022: AI2 Bias Signal 2 Input (terminal <b>S6</b> )   | See Sec. 19.0   |

Cont.



| VER.  | Parameter | LCD Display | Description                | Range   | Factory Setting |
|-------|-----------|-------------|----------------------------|---------|-----------------|
| 1.3   | A097      | AI2 Gain    | AI2 Gain (%)<br><b>AI2</b> | 0 - 200 | 100             |
| Prior | A097      | AI2 Gain    | AI2 Gain (%)<br><b>S6</b>  | 0 - 200 | 100             |

| VER.  | Parameter | LCD Display      | Description              | Range  | Factory Setting |
|-------|-----------|------------------|--------------------------|--|-----------------|
| 1.3   | A154      | AIN AI2 Source   | AIN or AI2 Source Signal | 0000: AIN = 0 -10V or 0 - 20mA<br>AI2 = 0 -10V or 0 - 20mA<br>0001: AIN = 0 -10V or 0 - 20mA<br>AI2 = 2 -10V or 4 - 20 mA<br>0002: AIN = 2 -10V or 4 - 20 mA<br>AI2 = 0 -10V or 0 - 20mA<br>0003: AIN = 2 -10V or 4 - 20 mA<br>AI2 = 2 -10V or 4 - 20 mA | 0000            |
| Prior | A154      | PID Comm. Source | PID Feedback signal      | 0000: 0-10V or 0-20mA<br>0001: 2-10V or 4-20mA   | 0000            |

Parameters A161 and A162 were added and selections 0025 and 0026 were added for parameters A050 –A055.

| VER. | Parameter | LCD Display                | Description                                 | Range   | Factory Setting |
|------|-----------|----------------------------|---|---|-----------------|
| 1.3  | A161      | Comm Error Operation Sel   | Communications time-out operation selection | 0000: Deceleration to stop.<br>(b008: Deceleration time 1)<br>0001: Coast to stop.<br>0002: Deceleration to stop.<br>(A026: Deceleration time 2)<br>0003: Continue operating. | 0000            |
|      | A162      | Comm Error detection time. | Communications time-out detection time.     | 00.0 - 25.5 Sec.  | 00.00           |
|      | A050-A056 | S1 – S6 Term Sel           | Multifunctional Input Term. S1 – S6         | 0025: Emergency Stop B Contact<br>0026: Base Block B Contact  | See Sec. 19.0   |

**Important – Throughout this manual, multifunctional terminal S6/AI2 is to be substituted where terminal AI2 and S6 is referenced separately for 1 - 2 HP models and 3 – 75 HP models prior to version 1.3 unless otherwise noted.**

## ***TECO-WESTINGHOUSE CONTROL PRODUCTS WARRANTY***

### **STANDARD WARRANTY FOR TECO-WESTINGHOUSE CONTROL PRODUCTS**

All TECO-Westingshouse brand Low Voltage Control Products, such as Solid State Starters and AC Drives, ("control products") sold by TECO-Westingshouse Motor Company ("TWMC") are warranted to be free from defects in material and workmanship for a period of 36 months from the date of manufacture. A warranty of 36 months from the date of sale is applicable when a TWMC Low Voltage Control Product and a TWMC Inverter Duty Motor are purchased together.

This warranty is conditioned upon the installation, operation, and maintenance of the control products in accordance with TWMC's recommendations or standard industry practice, and the control products have at all times been operated or used under normal operating conditions for which they were designed. This warranty will not be applicable to products that have been altered without written permission from TWMC.

TWMC shall, at its sole option and expense, either repair or replace, F.O.B. warehouse or TWMC designated service center, any such control product which is defective within the warranty period.

In the event of warranty claims, TWMC must be notified promptly following any control product failure. The control product shall be sent to a TWMC authorized service center for diagnosis on the cause of failure. If the failure is due to defective material and/or workmanship, TWMC will replace or repair the defective control product at its discretion.

The repair or replacement of defective material and workmanship shall constitute complete fulfillment of TWMC's warranty liability whether the warranty claims are based on contract, tort (including negligence and strict liability), or otherwise.

**THERE ARE NO OTHER WARRANTIES, EXPRESS OR IMPLIED, INCLUDING ANY IMPLIED WARRANTY OF MERCHANTABILITY AND FITNESS FOR PARTICULAR PURPOSE, AND ALL WARRANTIES ARISING FROM COURSE OF DEALING AND USAGE OF TRADE. UNDER NO CIRCUMSTANCES SHALL TECO-WESTINGHOUSE MOTOR COMPANY BE LIABLE FOR ANY SPECIAL, INDIRECT, INCIDENTAL, OR CONSEQUENTIAL DAMAGES, INCLUDING FREIGHT.**

### **CONTROL PRODUCTS RETURN POLICY**

All returned goods are subject to prior approval and must be accompanied by a Return Material Authorization (RMA) number. These goods must be returned within 90 days, freight prepaid, in resalable condition and in original packaging. A 15% restocking charge will be applied. If upon receipt of RMA, goods are deemed not to be in resalable condition or in original packaging, then additional fees will be applied. **RETURNS ON MODIFIED CONTROL PRODUCTS WILL NOT BE ALLOWED.**



5100 N. IH-35  
Round Rock, Texas 78681

1-800-279-4007

[www.tecowestinghouse.com](http://www.tecowestinghouse.com)