

USER MANUAL

4 OPERATION

The appliance can be operated either by the switch located on the top right hand side of the fire or by supplied remote control.

The Main power ON/OFF switch must be first switch on to operate the appliance.

MANUAL OPERATION

1. The switches are located at the top right hand side of the appliance.
2. Press once the Main power ON/OFF switch to turn on the appliance.
3. Press once the O/I button to turn on the flame effect; press again to switch off the flame effect. A red indicator light will appear to indicate that the function is ON.
4. Press the O/I button for 3 seconds this will operate the dimmer mode.
5. Press once the 1000W button for the low heat settings; press again to switch off the heat setting.
A red indicator light will appear to indicate that the function is ON.
6. Press once the 2000W button for the high heat settings; press again to switch off the heat setting. A red indicator light will appear to indicate that the function is ON.

REMOTE OPERATION

1. The Main power ON/OFF switch must be first switch on.
2. It takes some time for the receiver to respond to the transmitter.
Do not PRESS the buttons more than once within two seconds for correct operation.
3. Press once the button ON/OFF on the remote control this turns ON/OFF the appliance and fire effect.
4. Press once the 1000W button for the low heat settings; press again to switch off the heat setting.
5. Press once the 2000W button for the high heat settings; press again to switch off the heat setting.
6. Press the DIMMER button for operate the dimmer mode.

SAFETY CUT-OFF

- This appliance is fitted with a safety cut-off which will operate if the heater overheats (eg. due to blocked air vents). For safety reasons, the heater will NOT automatically reset.
- To reset the appliance, disconnect the appliance from the mains supply for at least 30 minutes. Reconnect the supply to the mains and switch on the appliance.

REPLACING THE FLAME EFFECT LAMP

Warning – Always disconnect from the power supply before removing bulb.

Warning – The bulbs reach high temperatures during operation. Allow the bulbs to cool down after switching off the appliance before changing lamps.

Note: Two people will be required for this process.

- It is recommended that the heater is carefully removed from the wall and laid on its back in order to replace the lamp.

- Gently slide the front glass panel towards the top of the heater and remove. Store the glass safely out of the way whilst the bulb is replaced so that it does not get damaged.
- At the bottom of heater, there is a lamp cover fixed by eight Philip's head screws, remove the eight screws and lift off the lamp cover (Fig.5).
- For access to the bottom bulbs, carefully slide the flexible rotisserie to one side ensuring that the rubber grommet is not lost (Fig.6).
- Remove the defective bulb by unscrewing it.
- Replace with a G9 type globes, rotating it. Take care not to over-tighten the bulb.
- Refit the rotisserie making sure that the rubber grommet is carefully pushed into the slotted hole on the axial bracket.

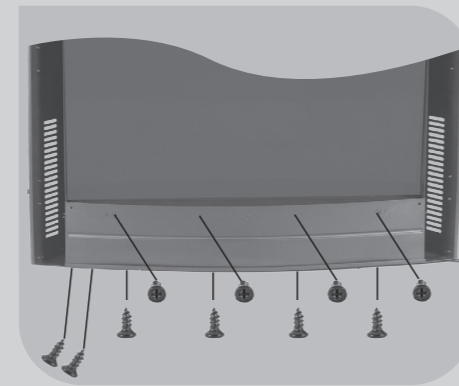


Fig. 5

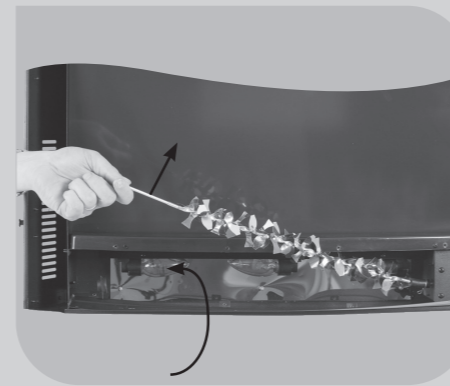


Fig. 6

5 MAINTENANCE & CLEANING

1. Before cleaning, turn off the heater, unplug the power cord and allow the heater to cool.
2. Do not immerse cord, plug or heater into water or other liquid or pour water or other liquid over the heater.
3. Use a vacuum cleaner to remove dust and dirt from air openings.
4. Clean exterior surfaces using a solution of water and mild detergent with wrung out damp sponge. Use and wring out the damp sponge and wipe the exterior surface again. Finally wipe with a dry cloth.
Allow sufficient time to dry before plugging electrical cord into outlet.
5. The tempered glass front panel can be clean with glass cleaner detergents.
6. Any other servicing should be performed by an authorised service representative. Do not use the heater if it has malfunctioned or become damaged in any way.

TECHNICAL SPECIFICATIONS

Model	EFH432
Max heater Power	2000W max
Rated Frequency	50Hz
Voltage	220-240V~
Bulb Wattage	40W max/bulb (3 bulbs)
Bulb Size & Type	G9 Halogen type

WARRANTY

Arlec guarantees this product in accordance with the Australian Consumer Law.

Arlec also warrants to the original first purchaser of this product ("you") from a retailer that this product will be free of defects in materials and workmanship for a period of 12 months from the date of purchase; provided the product is not used other than for the purpose, or in a manner not within the scope of the recommendations and limitations, specified by Arlec, is new and not damaged at the time of purchase, has not been subjected to abuse, misuse, neglect or damage, has not been modified or repaired without the approval of Arlec and has not been used for commercial purposes ("Warranty").

If you wish to claim on the Warranty, you must, at your own expense, return the product, and provide proof of original purchase and your name, address and telephone number, to Arlec at the address below or the retailer from whom you originally purchased the product within 12 months from the date of purchase.

Arlec will (or authorise the retailer to) assess any claim you may make on the Warranty in the above manner and if, in Arlec's reasonable opinion, the Warranty applies, Arlec will at its own option and expense (or authorise the retailer to) replace the product with the same or similar product or repair the product and return it to you or refund the price you paid for the product. Arlec will bear its own expenses of doing those things, and you must bear any other expenses of claiming on the Warranty.

The Warranty is in addition to other rights and remedies you may have under a law in relation to the product to which the Warranty relates.

Our goods come with guarantees that cannot be excluded under the Australian Consumer Law. You are entitled to a replacement or refund for a major failure and for compensation for any other reasonably foreseeable loss or damage. You are also entitled to have the goods repaired or replaced if the goods fail to be of acceptable quality and the failure does not amount to a major failure.

ARLEC

For all Sales & Warranty enquiries

Arlec Australia Pty. Ltd. ACN 009 322 105
("Arlec") gives the Warranty.

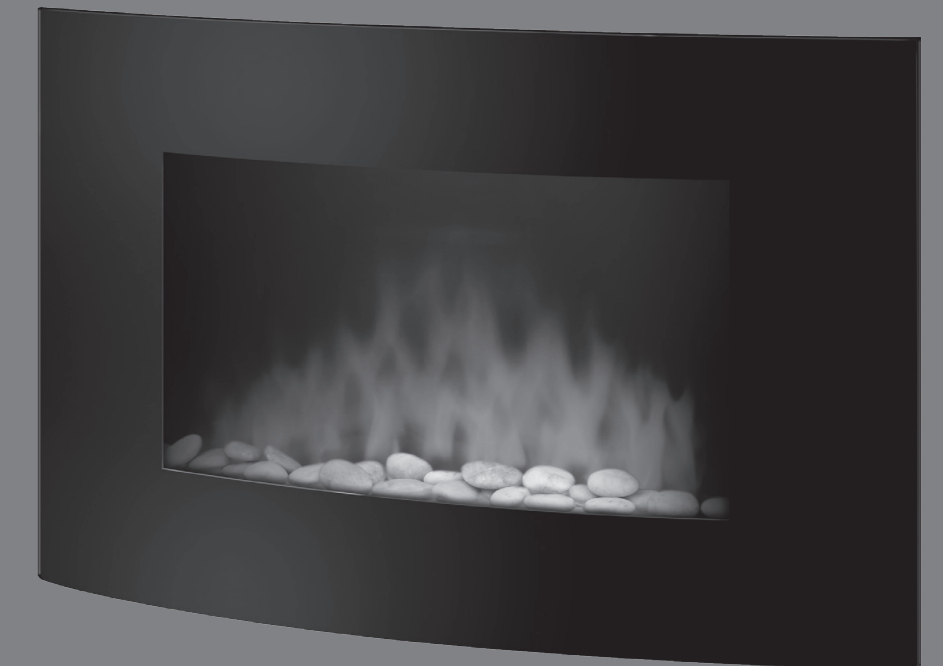
Building 3, 31 – 41 Joseph Street, Blackburn North, Victoria, 3130
Blackburn North LPO, P.O. Box 1065, Blackburn North, 3130

Customer Service: (03) 9882 5111
New Zealand Toll Free: 0800 003 329
Email: custservice@arlec.com.au

CPIN002812/2

ARLEC

2000W
FIREPLACE HEATER
WALL MOUNTABLE WITH CURVED SVELTE TEMPERED GLASS PANEL



USER MANUAL

FOR PERSONAL INDOOR USE ONLY

Dekkar

EFH432

WARNING!

**TO REDUCE THE RISK OF FIRE, ELECTRIC SHOCK,
OR PERSONAL INJURY, READ, UNDERSTAND
AND FOLLOW INSTRUCTIONS BEFORE
USING THIS HEATER**

KEEP THIS MANUAL IN A SAFE PLACE FOR FUTURE REFERENCE

IMPORTANT SAFEGUARDS

- Please retain all packaging until you have checked and counted all the parts and the contents of the fixing pack against the parts list.

Read all instructions before using this heater.

- This heater is hot when in use. To avoid burns, do not let bare skin touch hot surfaces. Keep combustible material such as drapery and other furnishings, at least 1 metre from the heater. When in use keep the mains cord of the heater from touching the heater body. Do not drape the cord over the heater while hot. Extreme caution is necessary when any heater is used by or near children or invalids and whenever the heater is left operating unattended.
- Always unplug heater when not in use.
- Do not operate any heater with a damaged cord or plug or after the heater malfunctions, has been dropped or damaged in any manner. Return heater to suitably qualified facility for examination, electrical or mechanical adjustment or repair.
- Do not use outdoors, the product is designed only for household use.
- Never locate heater where it may fall into a bathtub or other water container.
- Do not run cord under carpet. Do not cover cord with throw rugs runners, or the like. Keep cord away from traffic areas to avoid tripping over.
- To disconnect heater, turn controls to off, then remove plug from outlet.
- Connect to properly earthed socket-outlet of the appropriate voltage.
- Do not insert or allow foreign objects to enter any ventilation or exhaust opening as this may cause an electric shock or fire, or damage the heater.
- To prevent a possible fire, do not block the grilles in any manner.
- Do not use in areas where petrol, paint, or flammable liquids are used or stored.
- Use the heater only as described in this manual. Any other use not recommended by the manufacturer may cause fire, electric shock, or injury.
- Do not connect via double adapters or power boards. Avoid the use of an extension cord because the extension cord may overheat and cause risk of fire. However, if this heater is used with an extension cord, use as short a cord as practical.

- Do not use this appliance with a programmable, timer or any other device that switches the heater on automatically, since a fire risk exists if the appliance is covered or positioned incorrectly.
- In order to avoid overheating, do not cover the heater.
- To eliminate a choking hazard for young children, remove and safely discard the protective cover fitted to the power plug of this heater along with all packaging material and promotional labels.
- Fully unwind the cord before first time use
- There are no user serviceable parts in this heater; any maintenance other than cleaning should be performed by an authorised service representative.
- The installation of a residual current device (safety switch) is recommended to provide additional safety protection using electrical appliances. It is advisable that a safety switch with a rated residual operating current not exceeding 30mA be installed in the electrical circuit supplying power to the appliance. See your electrician for professional advice.
- Keep these instructions handy for future reference.

WARNING

This heater is for wall mounting only, not to be used as free standing.

This appliance is not intended for use by persons (including children) with reduced physical, sensory or mental capabilities, or lack of experience and knowledge unless they have been given supervision or instructions concerning the use of the appliance by a person responsible for their safety.

Young Children should be supervised to ensure that they do not play with the appliance.

The heater must not be located immediately below or in front of a power outlet.

Do not use this heater in the immediate surroundings of a bath, shower or swimming pool.

USER MANUAL

1 INSTALLATION

- Do not connect the appliance until properly fixed to the wall and the instructions is read fully.
- The minimum distances must be observed (Fig.1).

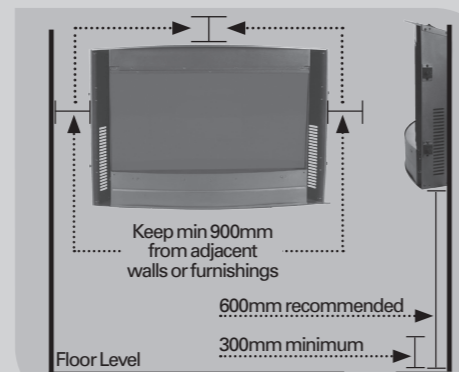


Fig.1

- For installation of the appliance, care must be taken not to damage concealed cables. Please be careful while drilling the holes.
- This appliance is designed to be permanently fixed to a wall at a minimum height of 300mm. The wall bracket must be fitted horizontally and the cable routed to the bottom right of the heater.
- A height of 600mm from bottom of heater to floor is recommended for optimum viewing of fuel bed (Fig.2 for recommend fixing dimensions).

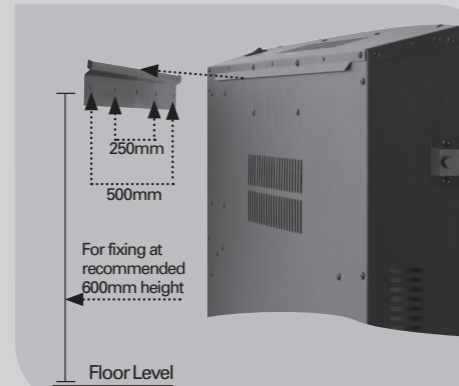
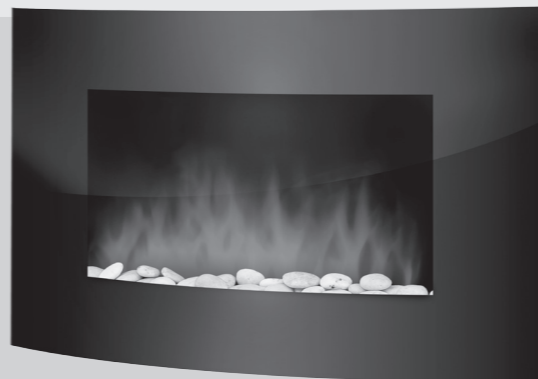


Fig.2

- For optimum viewing, mark the top four screws fixing positions on wall in accordance with the recommend fixing dimensions (Fig.2).

ARLEC
Dekkar

2000W FIREPLACE HEATER WALL MOUNTABLE WITH CURVED SVELTE TEMPERED GLASS PANEL



HELPFUL ADVICE BEFORE FITTING

- Please retain all packaging until you have checked and counted all the parts and the contents of the fixing pack against the parts list.
- The fixing pack contains small items which should be kept away from young children.
- We suggest that you open the fixing pack and place all the contents into a container, therefore reducing the risk of losing any small pieces.

CONTENTS

- Heater • Wall fixing bracket • Fixing screws and wall plugs.
- Remote control • 1 Instruction Manual

BEFORE FIRST USE

Remove any promotional material any packaging from the heater. Unwind the cord to its full length and place the heater on a firm level surface in a stable, upright position. Visually inspect the air inlets and outlets to ensure that there are no blockages. To avoid overheating do a circuit do not plug the heater into a circuit that already has other appliance working.

CAUTION: There may be some odour coming from the heater for the very first time you use it. This is normal during the break-in period or after long term storage. Make sure the heater is in well ventilated area and continue running it until the smell goes away.

- Fix the wall bracket using the plug and screws provided.
- Carefully lift the heater up ensuring that the top rear ledge of heater engages the wall bracket (Fig.2) and is sitting centrally.
- Gently bring the heater level with the wall.
- Mark the bottom holes position (Fig.3); remove the heater ensuring that the bottom fixing bracket is rotated up.

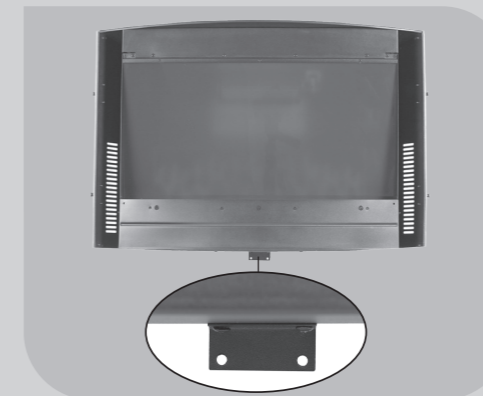


Fig.3

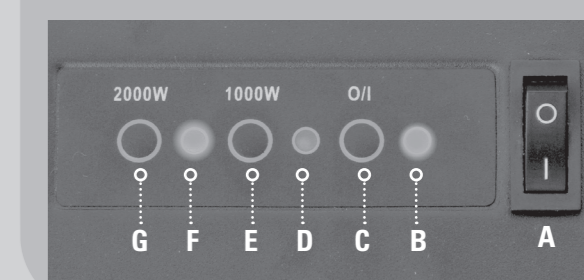
- Drill and fit wall plug.
- Refit the heater to the wall fixing bracket and rotate the bottom fixing bracket down again and use the screw provided to permanently fix the heater in place.
- Unpack the pebbles from the bag and place them along the light unit in the desired position.
- Place the front glass surround over the front of the fire aligning the slots in the brackets at each side of the glass panel with the lugs on the sides of the fire (Fig.4). Two people will make this operation easier. The heater is now ready for use.



Fig.4

2 POWER CONTROL PANEL

- Main power ON/OFF switch
- Heater and Flame ON indicator
- O/I button
- 1000W heating ON indicator
- 1000W heating button
- 2000W heating ON indicator
- 2000W heating button



- The main power ON/OFF switch in position 0, the heater is OFF.
- When main power ON/OFF switch is at position I, the heater is ready to use.
- When O/I indicator is on, the heater and flame are ON
- When 1000W indicator is on, the heating element and fan are ON (low range, 1000W)
- When 2000W indicator is on, the heating element and fan are ON (high range, 2000W)

3 REMOTE CONTROL

- Slide the rear battery cover from the remote and fit 2 x AAA size batteries, alkaline recommended.
- Refit rear cover.



- ON/OFF button Heater and Flame ON/OFF button
- 1000W button 1000W heating ON/OFF button
- 2000W button 2000W heating ON/OFF button
- DIMMER button Flame brightness dimmer button