

LIEBHERR

Use and Care Manual

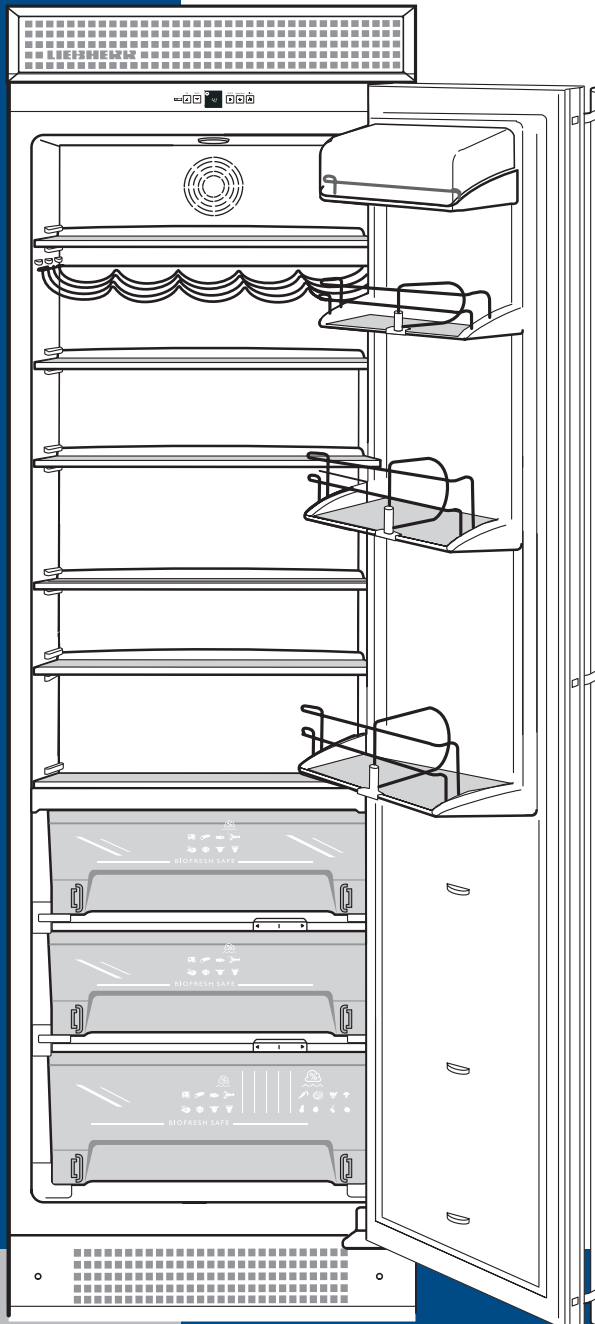
For Built-in Refrigerators,
For Integrated Use

Manuel d'utilisation et d'entretien

Pour réfrigérateurs encastrés,
pour une utilisation intégrée

Manual de uso y cuidado

Para frigoríficos incorporados,
para uso integrado



RBI 1400
RB 1400
EKB/es 4250 0406
7082 404-00

Congratulations on your purchase. Choosing this appliance means you want all the benefits of state-of-the-art refrigeration technology, guaranteeing you top quality, a long appliance life span and excellent reliability.

The features on your appliance have been designed to ensure maximum convenience - day in, day out.

This appliance has been manufactured with recyclable materials using an environmentally friendly process, so together we're making an active contribution to the preservation of our environment.

To get to know all the benefits of your new appliance, please read the information contained in these operating instructions carefully.

We know you will be pleased with your new appliance.

Additional benefits

- CFC-free
- Energy-optimized refrigerant circuit
- Energy-efficient insulation
- Low energy consumption

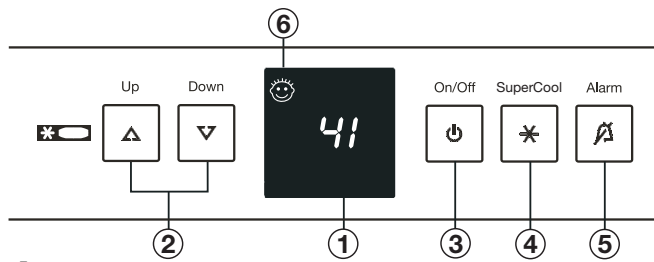
- User-friendly electronic controls
- Display of functions switched on
- Temperature can be controlled within climate rating range
- Refrigerator defrosts automatically - no need to spend time defrosting

- Big net refrigerator capacity
- Variable and practical features
- Safety-glass storage shelves
- Shelves can be removed to make space for large items

- Integrated transport grips on appliance housing
- Transport castors at back

- Easy to clean
- Door hinges can be changed over

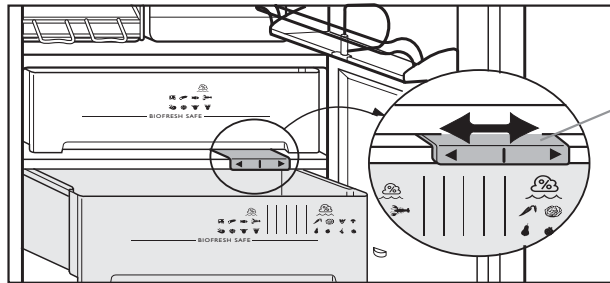
FEATURES



A1

Operating and control elements, figure A1

- ① Temperature display and setting display
- ② Temperature buttons:
UP = higher, DOWN = lower,
recommended setting: 41°F (5°C)
- ③ On/off button
- ④ SuperCooling button; lit = function activated.
For fast cooling of food. Switches off automatically after approx. 6 hours.
- ⑤ Audible warning on/off button for door open alarm
- ⑥ Child-proof lock display, lit = function activated, prevents the appliance from being switched off accidentally. See 'Additional functions' for more information.

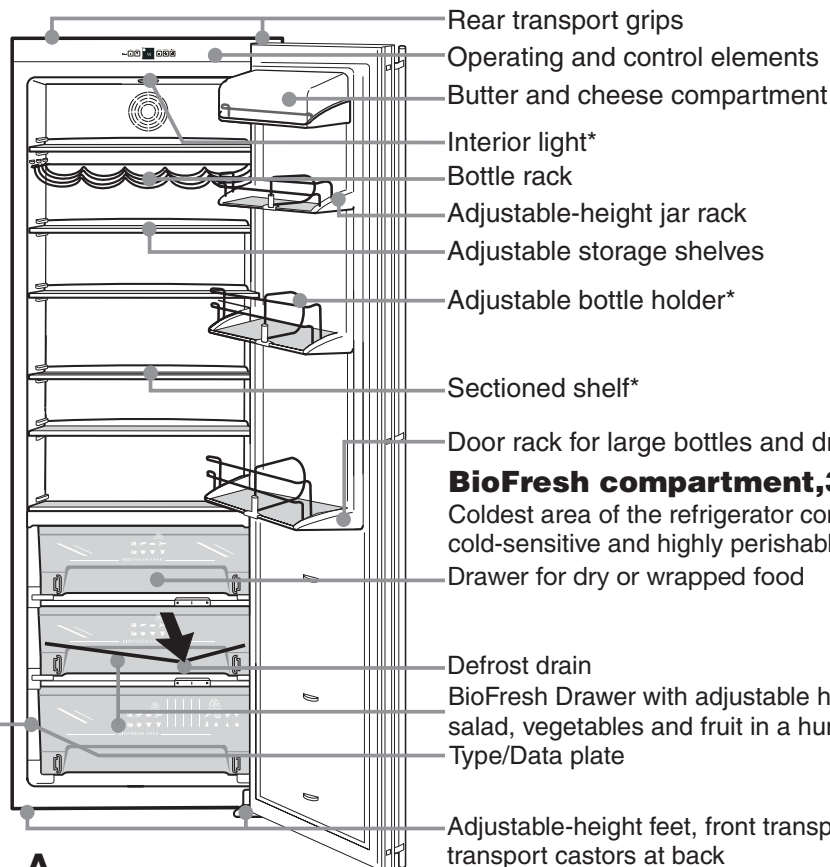


A2

Humidity setting in BioFresh drawer, figure A2:
slider to left: dry, slider to right: humid

Description of appliance and equipment

Refrigerator, approximately 41°F (5°C)



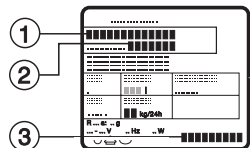
BioFresh compartment, 32°F (0°C) to 37°F (3°C)

Coldest area of the refrigerator compartment, suitable for cold-sensitive and highly perishable foods

Type/Data plate,

figure A3

- ① Type designation
- ② Service number
- ③ Appliance number/serial number



A3

A

* Depending on model and options

TABLE OF CONTENTS

Keep these operating instructions in a safe place and pass them on to the next owner, where applicable.

Contents	Page
Safety	2
Disposal of Old Appliance	2
Important Safety Information	2
Electrical Safety	3
Safety Instructions and Warnings.....	3
Unpacking	4
Disposal of Carton	4
Safety Regulations.....	4
Operation	4
Turning the Appliance ON and OFF.....	5
Setting the Temperature	5
Temperature Setting Display.....	5
Supercooling	5
Additional Functions	6
Refrigerator	7
Arranging Food	7
Shelf Arrangement.....	7
Changing the Lighting Unit.....	8
BioFresh Compartment.....	9
Humidity Selection	9
Storage Times.....	10
Defrosting/Cleaning	11
Defrosting.....	11
Cleaning	11
Vacation Tips.....	12
Troubleshooting.....	13
Customer Service	14
Appliance Information.....	14
Liebherr Warranty Plan	15

IMPORTANT

All types and models are subject to continuous improvement. The manufacturer reserves the right to make modifications in the shape, equipment and technology.

SAFETY

Read and follow all the safety rules and operating instructions before using this appliance. Save these instructions for future reference. Throughout this instruction manual are specific Important instructions, Cautions and Warnings.

IMPORTANT

This highlights information that is especially relevant to a problem-free installation.



DANGER

States a hazard which will cause serious injury or death if precautions are not followed.



WARNING

States a hazard which may cause serious injury or death if precautions are not followed.



CAUTION

Signals a situation where minor injury or product damage may occur if you do not follow instructions.

Disposal of Old Appliance

Be sure to follow your local requirements for disposal of appliances. Discarded appliances can be dangerous.



DANGER

Risk of child entrapment. Before you discard your old refrigerator or freezer:

- **Be sure to follow your local requirements for disposal of appliances. Discarded appliances can be dangerous.**
- **Remove the doors.**
- **Leave the shelves in place so that children may not easily climb inside.**
- **Cut off the prongs from the power cable plug and discard them.**
- **Cut off the power cable from the discarded refrigerator. Discard separately from the refrigerator.**

Following these instructions reduces the possibility of causing personal injury, especially to children playing.

Contact the trash collection agency in your area for additional information.

Important Safety Information

This appliance is intended for domestic use only. Use the appliance only for its intended purpose, the storage of food products. Follow the cautions and safety warnings throughout this instruction manual including the following:

- To prevent injury to you or damage to the unit, the appliance should be unpacked and set up by two people.
- If the appliance is damaged on delivery, contact the supplier immediately before connecting to the power source.
- To guarantee safe operation, ensure that appliance is set up and connected as described in these operating instructions.
- Disconnect the appliance from the power source if a fault occurs. Pull out the plug, turn off or remove the fuse.
- When disconnecting the appliance, use the plug. Do not pull on the cable.
- Any repairs and work on the appliance should only be carried out by the customer service department. Unauthorized work may be dangerous to the user. Changing the power source cable should only be done by the customer service department.
- Do not consume food which has been stored for too long; it could cause food poisoning.
- The appliance is designed for cooling and storage of food. It is intended for domestic use. If used for commercial purposes, the relevant legal regulations applicable to the trade concerned must be observed.
- Do not store explosives or sprays using combustible propellants such as butane, propane, pentane, etc. in the appliance. Electrical components might cause leaking gas to ignite. You may identify such sprays by the printed contents or a flame symbol.
- Do not use electrical appliances inside the appliance.

- Do not allow children to play with the appliance. Children must not climb, sit or stand on the shelves, drawers or door.
- To prevent possible injury due to an electrical shock, be sure to disconnect the power cord or turn off the circuit breaker before replacing the interior light or cleaning the appliance.
- To prevent possible injury due to broken glass, use hand protection when replacing the interior light.
- To avoid injury or damage to the appliance, do not use steam cleaning equipment to clean the appliance.
- Do not operate the refrigerator in the presence of explosive fumes.
- In the event of a power outage, minimize opening the refrigerator door(s). Protect the food either by placing dry ice on top of the packages or using a local frozen food locker if the power failure is of a long duration. Do not attempt to re-freeze any thawed previously frozen food.
- To avoid possible injury, only adjust an empty shelf. Do not attempt to adjust a shelf with food on it.
- To protect the refrigerator from possible damage, allow the appliance to stand 1/2 to 1 hour in place before turning the electricity on. This allows the refrigerant and system lubrication to reach equilibrium.
- Do not use a two-prong adapter. Where a two-prong wall receptacle is encountered, contact a qualified electrician and have it replaced with a three-prong receptacle in accordance with all local codes and ordinances.
- Do not use a power cord that is frayed or damaged.

Safety Instructions and Warnings



CAUTION

To avoid risk of personal injury or property damage, have two people unpack and move this appliance into place.



CAUTION

Protect the finished floor surface before you uncrate the unit.

Avoid placing the appliance in direct sunlight or near the stove, range top, radiators and similar heat sources. **DO NOT** place microwave ovens, toaster ovens or other heat-emitting appliances on top of this unit.

The floor under the appliance should be flat and level.

Keep the appliance out of the weather. The ventilation grilles should not be obstructed. Always ensure there is good ventilation all around the appliance.

As soon as you uncrate the unit:

- Examine the unit and packaging for shipping damage. Contact the carrier immediately if you suspect there is any damage.
- Note the type (model number), index, appliance/serial number, date of purchase and where purchased on the spaces provided in the back of this manual.

Electrical Safety

Connect this appliance to a 110-120 VAC, 15 amp (20 Amp for side-by-side installations) circuit that is controlled by a circuit breaker or fuse. This appliance should have its own separate grounded circuit. Do not use an extension cord.

The power cord is equipped with a three-prong (grounding) plug for your protection against possible shock hazards. To maintain this protection:

- Do not modify the plug by removing the round grounding prong.

UNPACKING

Disposal of Carton

The packaging is designed to protect the appliance and individual components during moving and is made of recyclable materials.

- Corrugated board/board
- Molded polystyrene (foamed, CFC-free polystyrene)
- Polythene bags and sheets
- Polypropylene straps



WARNING

Keep packaging materials away from children. Polythene sheets and bags can cause suffocation!

- Please take the packaging material to your local recycling facility.

IMPORTANT

The screw covers are taped to the unit doors during shipping. Use care when removing covers. If the hinges and door handles are reversed, you must obtain the Reverse Set. Contact your Liebherr retailer. The Reverse Set is not included with the unit. The door handles must be installed before the screw covers are installed. If you fail to install the handles before the screw covers, you can damage the covers.

Safety Regulations

The appliance is designed to cool and store food. It is designed as a household appliance. If used commercially, the relevant regulations on commercial use must be observed.

The appliance is set to operate within specific ambient temperature limits according to its climate rating. These temperature limits should not be exceeded. The correct climate rating for your appliance is indicated on the model plate.

This is explained as follows:

Climate Rating	Set for Ambient Temperatures of
SN	50°F to 90°F (10°C to 32°C)
SN-T	50°F to 109°F (10°C to 43°C)
N	61°F to 90°F (16°C to 32°C)
ST	65°F to 100°F (18°C to 38°C)
T	65°F to 109°F (18°C to 43°C)

- The refrigerant circuit has been tested for leaks.
- The appliance complies with current safety regulations UL250 and CSA C22.2 #63.

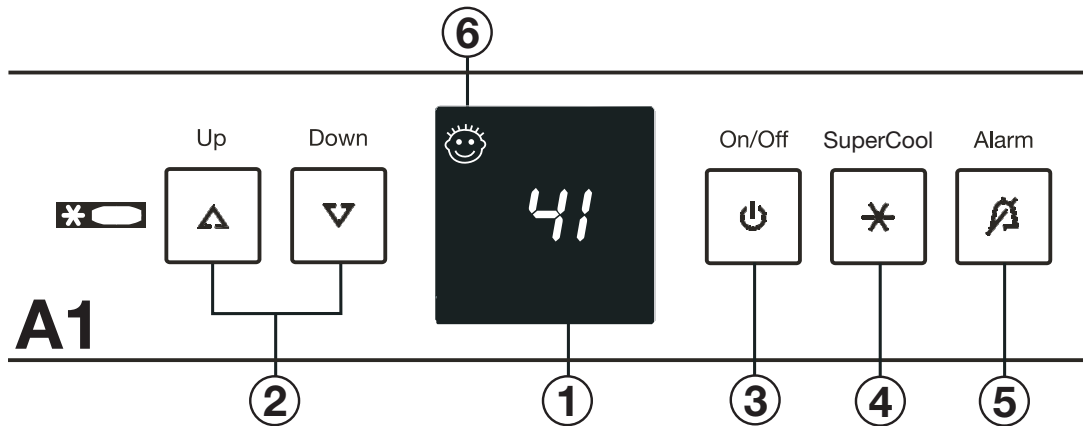
We recommend cleaning the appliance before turning it ON for the first time. See **Cleaning**. Turn ON the appliance several hours before loading it with food for the first time.

TIPOVER HAZARD!



WARNING

Do not allow children to play with the appliance. Children must not climb, sit or stand on the shelves, drawers or door. Failure to follow these instructions may result in death or serious injury.



You are advised to clean the appliance before switching it on for the first time (see "Cleaning").

Turning the appliance on and off

- **Turning on:** Press the on/off button ③ so that the temperature display lights up or flashes.
 - The lighting will light up when the door is open.
- **Turning off:** Press the on/off button for approx. two seconds so that the temperature display goes out.

Setting the temperature

The appliance is pre-set for normal operation. We recommend temperatures of +41°F (5°C) in the refrigerator.

In the refrigerator:

- **To reduce the temperature:** Press the DOWN button ②.
- **To increase the temperature:** Press the UP button ②.
- While you are entering the temperature, the **set temperature will flash** on the display.
- When you press the temperature setting buttons for the first time, the *most recent setting* (known as the "*reference setting*") is displayed.
- You can change the settings in increments of 1°F (1°C) by briefly pressing the buttons again. If the buttons are held down the temperature setting will change faster.
- The system switches back automatically about 5 seconds after the button was last pressed and displays the *average* cooling temperature (known as the "*actual setting*").
- You can change the temperatures in the refrigerator between 48°F (9°C) and 40°F (4°C).
- The temperature in the **BioFresh compartment** is controlled *automatically*, between 32°F (0°C) and 37°F (3°C).

If you require a higher or lower temperature, e.g. for storing fish, you can alter the temperature setting in the BioFresh compartment. See "Additional functions" for more information.

Temperature display

The *average temperature in the refrigerator compartment* is displayed in normal mode. If "F0" to "F5" appears in the display, the appliance has a fault. Consult the customer service department indicating the fault number displayed, so that they can arrange for your appliance to be serviced accurately and quickly.

Audible alarm signal

The audible alarm signal helps you to protect the food in your refrigerator and save energy.

- It will sound when the **door has been open for longer than about 3 minute**.
- **The signal will stop** when you press the audible warning on/off button ⑥,
 - or when you close the door.
- The audible warning on/off button only works when the door is open. Once the door is shut, the alarm *function* automatically switches to standby.

SuperCooling

The SuperCooling function switches the appliance to the coldest chilling setting.

It is ideal if you want to chill *large* quantities of food, drinks or freshly prepared cakes or meals very quickly or if you want greater humidity, e.g. for salad leaves.

- **To switch on:** Press the SuperCooling button ④ briefly so that it lights up. The refrigerator temperature will drop to its lowest value.

NB: The SuperCooling function uses slightly more energy. After approx. 6 hours, however, the appliance switches back *automatically* to normal energy-saving operation.


OPERATION

Additional functions

In set-up mode you can set the **child-proof lock**, adjust the **brightness of the display*** and set the **temperature** in the **BioFresh compartment** slightly lower or higher.

Activating set-up mode:

- Press SuperCooling button for approx. 5 secs
- the SuperCooling button flashes - the display shows **c** for child-proof lock.
Note: the value to be altered flashes.
- Select the required function by pressing the Up/Down button:
c = child-proof lock,
h = brightness,
b = BioFresh temperature or
0 = unit of temperature
- Now select/acknowledge function by pressing Super-Cooling button briefly:

- For **c = child-proof lock**, press the Up/Down button to select
c1 = child-proof lock **on** or
c0 = child-proof lock **off**
and acknowledge with the SuperCooling button. When the symbol  is lit, the child-proof lock is activated.



- For **h = brightness**, press Up/Down button to select
h1 = **minimum** to
h5 = **maximum** brightness
and acknowledge with the SuperCooling button.



- For **b = BioFresh temperature**, press the Up/Down button to select from
b1 = **lowest** to
b9 = **highest** setting and confirm with the SuperCooling button. The altered BioFresh temperature adjusts slowly to the new value.



NB: b5 = factory setting. By decreasing the temperature, "b4" to "b1", minus temperatures can be reached and the food in the BioFresh compartment will freeze slightly.

- For **0** = unit of temperature, press the Up/Down button to select
°C = degrees Celsius or
°F = degrees Fahrenheit
for temperature display and acknowledge with the SuperFrost button.



Exit set-up mode:

- To exit the set-up mode, press the On/Off button. After 2 mins. without pushing any button the electronic system switches over automatically.
- The normal operating mode is activated again.

* Depending on model and options

REFRIGERATOR

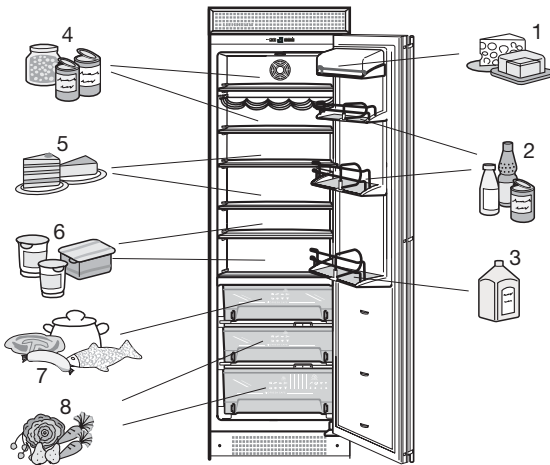


Figure B:

Refrigerator:

- 1 butter, cheese
- 2 eggs
- 3 drinks, cans, bottles
- 4 preserves
- 5 baked goods
- 6 dairy products
- 7 tropical fruits, cold-sensitive vegetables

BioFresh compartment:

- 8 meat and sausage products, fish, pre-cooked meals
- 9 salad, fruit, vegetables; see "BioFresh compartment" for more information

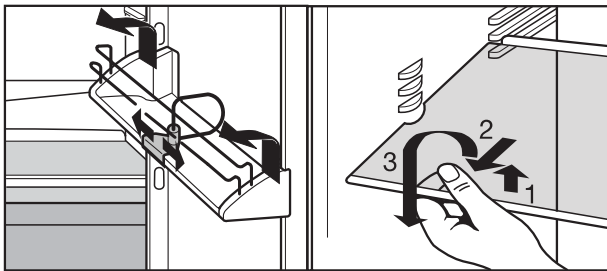


Figure C:

Figure D:

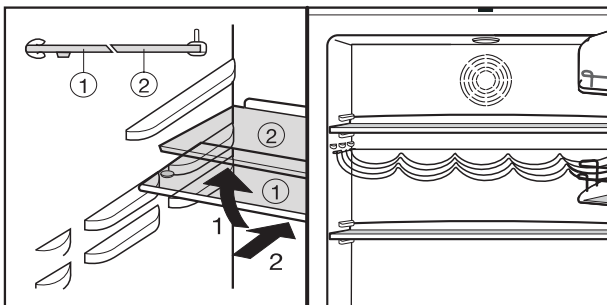


Figure E1:

Figure E2:

Arranging food in the refrigerator

Because of the natural circulation of air in the refrigerator compartment, the temperature in different parts of the refrigerator will differ, each area being suitable for different types of food. The refrigerator is coldest just above the vegetable bins and against the rear wall; it is warmest at the front at the top and in the door (suitable for spreadable butter, cheese etc.). See figure B for food storage suggestions.

Notes on cooling

- Store food so that air can circulate properly around it. Do not pack the refrigerator too full. Do not cover the fan slits* at the back, otherwise the refrigerating capacity will be impaired!
- Food which gives off or absorbs odours and flavours, and liquids should always be stored covered or in closed containers.
- Always store food which gives off or is sensitive to ethylene gases such as fruit, vegetables and salads separately or wrapped in order not to affect their storage life; e.g. do not store tomatoes together with kiwis or cabbage.

Changing shelf arrangement

You can re-arrange the height of the shelves and door racks as required.

- **Re-positioning the door racks**, figure C: Slide the door rack up, pull out towards you and replace in reverse order.
- By adjusting the **bottle holder** you can protect the bottles from falling over when the door is opened and closed. Always hold by the plastic handle.
- **Re-positioning the shelves**, figure D:
 - Lift the shelf, slide forwards and remove. Always insert shelves with the raised edge at the back pointing upwards, otherwise food may freeze onto the rear wall.
 - The glass shelves are fitted with stops to prevent them being pulled out accidentally.
- If you require space for large bottles and containers, lift the *front half* of the split glass shelf* and carefully slide it under the back half until the stops click into the recesses, figure E1.
- The **bottle rack*** (figure E2) provides additional chilling space for bottles up to 300 mm in height.

CAUTION

Do not adjust a shelf with food on it. Failure to follow these instructions may result in minor or moderate injury or damage.

WARNING

DO NOT load more than 50 lb (22,6 kg) of products in the door.

* Depending on model and options

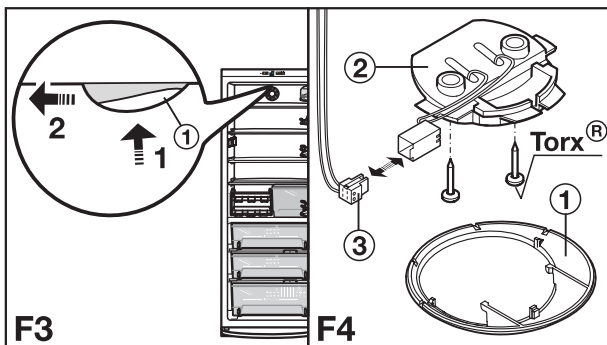
REFRIGERATOR

This switches off automatically after the door has been opened for approx. 15 minutes. If it does not switch on when the door is opened briefly, but the temperature setting display is working, the interior light may be defective.

Changing the lighting unit*:

The lighting unit ②, dissipator with light emitting diode (LED), is available from your dealer.

- Switch off the appliance. **Disconnect the power cord or turn off the circuit breaker.**
- Figure F3: Press the bulb cover ① against the compartment roof 1 and release by pulling forwards 2.
- Figure F4: Unscrew the lighting unit ② and loosen the cable connector ③.
- Re-assemble with new lighting unit ②, working in reverse order.



* Depending on model and options

BIOFRESH COMPARTMENT

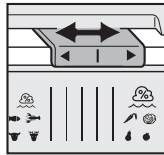
The BioFresh compartment enables you to keep a range of *fresh food* fresh for up to three times as long as you would in a standard refrigerator, thus making your stocks last longer. Taste, freshness and nutritional value (vitamin B and C group content) remain largely intact. Spoilage and weight loss in vegetables and fruit are reduced, leaving food more fresh and natural.

The automatically controlled storage temperature, which is kept between 32°F (0°C) and 37°F (3°C), and the resultant humidity provide the ideal storage conditions for different types of food.

The top drawer figure B 7, is suitable for storing *dry or wrapped* food (e.g. dairy products, meat, fish, cold meats). The storage climate in this drawer is relatively *dry*.

Drawers with humidity control, Figure B 8: When set to "humid" these drawers can be used for storing unwrapped salad, vegetables and fruit. When the drawer is full, the climate will be "dew-fresh", with approximately 90% humidity. You can set the humidity in this drawer to dry or moist *as required*.

Humidity selection:



- **"dry" setting: small humidity symbol** - slide control to left. Insert food that is suitable for being stored in a dry climate.
- **"humid" setting: high relative humidity of max. 90%, large humidity symbol** - slide control to right. This setting is suitable for storing unwrapped food with a high moisture content such as fresh lettuce.

Notes:

- The humidity in the compartment depends on the moisture content of the food in it, and the frequency with which the compartment is opened.
- When buying food, check that it is fresh - the fresher the product and the higher its quality, the longer it will keep.
- Unwrapped animal and vegetable foods should be stored separately in the drawers. If there is not enough space for them to be stored separately, make sure that they are wrapped. Do not allow different types of meat to come into contact with one another but keep them packaged separately so as to avoid premature bacterial spoilage.
- Please note that protein-rich food spoils more quickly, i.e. crustaceans and shellfish spoil faster than fish, and fish faster than meat.
- Remove food from the drawers some time before consumption. Enjoyment will be enhanced in this way as the aroma and flavour develop best at room temperature.
- The following products should **not** be stored in the BioFresh compartment: cold-sensitive vegetables such as cucumber, peppers, aubergines, avocados, semi-ripe tomatoes, beans, zucchini, and all cold-sensitive tropical fruits.

BIOFRESH COMPARTMENT

Storage times

for food in the BioFresh compartment:

Dry setting



butter	up to 30 days
cheese, soft	up to 30 days
milk, fresh	up to 7 days
sausage, cold cuts	up to 7 days
fish	up to 4 days
shellfish	up to 3 days
poultry	up to 5 days
pork	
large portions	up to 7 days
cut up	up to 5 days
beef	up to 7 days
game	up to 7 days



Humid setting

Vegetables, salad

artichokes	up to 21 days
asparagus	up to 14 days
broccoli	up to 14 days
Brussels sprouts	up to 30 days
cabbage	up to 180 days
carrots	up to 150 days
cauliflower	up to 21 days
celery	up to 30 days
chicory	up to 30 days
Chinese cabbage	up to 14 days
curly kale	up to 14 days
fennel	up to 21 days
garlic	up to 180 days
green onions	up to 7 days
herbs	up to 30 days
iceberg salad, endives,	
lamb's lettuce	up to 21 days
kohlrabi	up to 14 days
leeks	up to 60 days
lettuce	up to 10 days
mushrooms	up to 7 days
peas	up to 10 days
radicchio	up to 21 days
radishes	up to 14 days
savoy cabbage	up to 60 days
spinach	up to 7 days

Fruit

apples	up to 180 days
apricots	up to 14 days
bilberries	up to 14 days
blackberries	up to 8 days
cherries	up to 14 days
black and red currants	up to 21 days
dates (fresh)	up to 60 days
figs (fresh)	up to 7 days
gooseberries	up to 21 days
grapes	up to 90 days
kiwi fruits	up to 120 days
peaches	up to 30 days
pears	up to 120 days
plums	up to 21 days
quinces	up to 90 days
raspberries	up to 5 days
rhubarb	up to 21 days
strawberries	up to 5 days

DEFROSTING/CLEANING

Defrosting

The refrigerator compartment defrosts *automatically*. The defrost water is evaporated by the heat from the compressor; drops of water on the rear wall are perfectly normal.

- Ensure that the defrost water can flow freely through the drain hole in the rear wall (arrow in figure. A).

Cleaning



WARNING



Always switch off the appliance, disconnect the power cord or turn off the circuit breaker before cleaning. Do not use steam cleaning equipment. Failure to follow these instructions may result in death or serious injury.

- Clean the outer walls, inside and equipment by hand with lukewarm water and a little detergent.
- We recommend using a soft cloth and an all-purpose cleaner with a neutral pH value. Only use food compatible cleaning and care agents on the inside of the appliance.
- Use a commercially available *stainless-steel cleaning agent* for **stainless-steel appliances***.
 - In order to achieve best possible protection, apply a *stainless-steel care agent* uniformly in grinding direction after cleaning. Points which are darker at the start and a more intensive coloration of the stainless-steel surface are normal.
 - Do not use abrasive sponges or scourers, do not use concentrated cleaning agents and never use cleaning agents containing sand, chloride or acid or chemical solvents, as these would damage the surfaces and could cause corrosion.
- Ensure that no cleaning water penetrates into the ventilation grilles or any electrical components, and keep it out of the defrost drain as far as possible. Wipe the appliance dry.
 - Do not damage or remove the type plate on the inside of the appliance. It is very important for servicing purposes.
- The racks, shelves and other components should be cleaned by hand as they are not dishwasher-safe.
 - Always remove the *top door rack* (butter and cheese compartment) together with the flap*. Then press one of the side walls carefully to the outside to release the flap pin. The flap can then be lifted out. Make sure not to damage any bushings*.

- The shelves and door racks can be dismantled for cleaning. Remove the trims and sides* from the glass shelves.

- Remove the protective film* from the decorative trims.

- Clean the **drain hole** on the rear wall frequently, figure. A, arrow. **If necessary, clean with a thin object, e.g. a cotton swab or similar.**

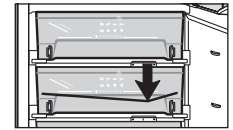


Figure A

- To clean the **BioFresh drawers**, pull the empty drawers right out, grip at back and lift out (fig. L).
 - To re-insert: place the empty drawers on the extended rails - the rails must align with the front of the drawer - and slide in (figure M).

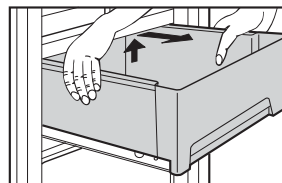


Figure L

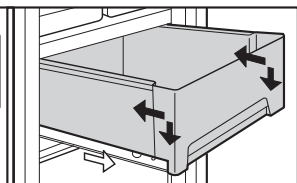


Figure M

- Simply pull the **drawer cover** out towards you. When re-inserting, make sure the bearing pins snap into place in the grooves. The drawer and the cover must be flush with one another vertically.

- The dust should be removed from the **refrigeration unit** and heat exchanger - metal grid at the back of the appliance - once a year. Dust deposits increase energy consumption.



- Ensure that none of the wires or other components are dislodged, bent or damaged.

- Then connect/switch on the appliance.

If the appliance is to be **left switched off for any length of time**, empty the appliance, disconnect the power supply, clean as described above and leave the door open so as to avoid odours.

* Depending on model and options

DEFROSTING/CLEANING

Vacation Tips

Short vacations:

It is not necessary to turn OFF the refrigerator if you will be away for less than four weeks.

- Use all perishables.

Long vacations:

If you will be away for a month or more:

- Remove all food from the refrigerator.
- Turn OFF the refrigerator.
- Clean the appliance. Refer to **Cleaning**.
- Leave the door open to prevent unpleasant odors. This will also keep mold from building up.

TROUBLESHOOTING

Your appliance is designed and manufactured for a long life span and reliable operation. If a malfunction nonetheless occurs during operation, check whether it is due to an operating error. Please note that even during the warranty period the resultant servicing costs in this case will have to be borne by the owner.

You may be able to rectify the following faults by checking the possible causes yourself:

Malfunction	Possible cause and remedy
--------------------	----------------------------------

Appliance does not work, display is off

- Is the appliance switched on properly?
- Is the power cord properly inserted in the outlet?
- Is the circuit breaker or fuse in operating condition?

The interior light does not come on

- Is the appliance switched on?
- Has the door been open for more than 15 minutes?
- The bulb/lighting unit* is defective. Change the bulb/**lighting unit*** as described in "Interior light".

Loud running noise

- Is the appliance standing firmly on the floor, or does the compressor cause nearby items of furniture or objects to vibrate? If necessary, move the appliance slightly, align by adjusting the adjustable feet, or move bottles and containers apart.
- *Burbling noises* are normal. These are caused by the refrigerant flowing round the refrigerant circuit.
A short clicking sound: This will be heard whenever the refrigeration unit (the motor) switches on or off automatically.
Motor noise: This will be slightly louder for a brief period when the refrigeration unit switches on.

The audible warning signal sounds

- Is the appliance closed properly? Check the appliance as described in "Audible warning signal".

The temperature is not cold enough

- Is the temperature setting correct? If necessary, set a lower temperature and check the display after 24 hours.
- Does the door close properly?
- Is the appliance sufficiently well ventilated?
Clear ventilation grilles if necessary.
- Is the ambient temperature too hot? (See "Safety regulations")
- Has the appliance been opened too often or left open too long?
- If applicable, wait until the appliance reaches the required temperature itself.

* Depending on model and options



Customer Service - Figure 1

If none of the above causes apply and you cannot correct the fault yourself, please contact your nearest customer service department (see enclosed list for addresses).

Give the **fault number displayed**, together with the **Type Designation (Figure A3, 1)**, **Service Number (Figure A3, 2)** and **Appliance / Serial Number (Figure A3, 3)** as given on the model plate, to ensure prompt, accurate servicing. The model plate is located inside the appliance on the left-hand side.

Leave the appliance closed until the customer service engineer arrives to prevent any further cold loss.

Appliance Information

Record this information when the appliance is installed.

Type Designation: _____

Service Number: _____

Appliance / Serial Number: _____

Date of Purchase: _____

Where Purchased: _____

For Service and Parts in the U.S.:

Liebherr Service Center

15545 N. 77th Street
Scottsdale, AZ 85260
Phone: (480) 998-0141
Fax: (480) 998-7877
Toll Free: **1-866-LIEBHERR** or
1-866-543-2437

E-mail: Liebherr@adcoservice.com

For Service and Parts in Canada:

EURO-LINE APPLIANCES

2150 Winston Park Drive - Unit 20
Oakville, Ontario, L6H 5V1
Phone: (905) 829-3980
Fax: (905) 829-3985
Toll Free: **1-888-LIEBHERR** or
1-888-543-2437

www.euro-parts.ca

LIEBHERR WARRANTY PLAN

FULL TWO YEAR WARRANTY - For two years from the date of original purchase, your Liebherr warranty covers all parts and labor to repair or replace any part of the product which proves to be defective in materials or workmanship.

FULL FIVE YEAR WARRANTY - For five years from the date of original purchase, your Liebherr warranty covers all parts and labor to repair or replace any components that prove to be defective in materials or workmanship in the sealed system. The "Sealed System" means only the compressor, condenser, evaporator, drier and all connecting tubing.

LIMITED 6TH THROUGH 12TH YEAR WARRANTY - From the 6th through 12th year from the date of original purchase, your Liebherr warranty covers all parts that prove to be defective in materials or workmanship in the Sealed System (parts only).

TERMS APPLICABLE TO EACH WARRANTY

All service provided by Liebherr under the warranty must be performed by authorized Liebherr service representatives, unless otherwise specified by Liebherr. Service will be provided in the home during normal business hours. This warranty applies only to products installed for normal residential use. Details regarding a non-residential warranty are available on request.

The warranty applies only to products installed in Canada and any one of the fifty states of the United States or the District of Columbia. This warranty does not cover any parts or labor to correct any defect caused by negligence, accident or improper use, maintenance, installation, service or repair, including but not limited to improper removal and reinstallation of the condensing unit.

The remedies described above for each warranty are the only ones which Liebherr will provide, either under these warranties or under any warranty arising by operation of law. Liebherr will not be responsible for any consequential or incidental damages arising from the breach of these warranties or any other warranties, whether express, implied or statutory.

Some states do not allow the exclusion or limitation of incidental or consequential damages so the above limitation or exclusion may not apply to you. This warranty gives you specific legal rights and you may also have other rights which vary from state to state.

To receive parts and/or service and the name of the Liebherr authorized service representative nearest you, contact your Liebherr dealer or distributor or contact the Liebherr designated national service provider:

in the US: Liebherr@adcoservice.com, or call 1-866-LIEBHERR or 1-866-543-2437

in Canada: www.euro-parts.ca, or call 1-888-LIEBHERR, 1-888-543-2437.