





UltraView UVC-6130-1 WDR Box Camera User Manual

Copyright	© 2012 UTC Fire & Security. All rights reserved.
Trademarks and patents	<p>The UltraView and Interlogix names and logo are trademarks of UTC Fire & Security.</p> <p>Other trade names used in this document may be trademarks or registered trademarks of the manufacturers or vendors of the respective products.</p>
Manufacturer	<p>UTC Fire & Security Americas Corporation, Inc. 2955 Red Hill Avenue, Costa Mesa, CA 92626-5923, USA</p> <p>Authorized EU manufacturing representative: UTC Fire & Security B.V. Kelvinstraat 7, 6003 DH Weert, The Netherlands</p>
Certification	  N4131
FCC compliance	<p>Class A: This equipment has been tested and found to comply with the limits for a Class A digital device, pursuant to part 15 of the FCC Rules. These limits are designed to provide reasonable protection against harmful interference when the equipment is operated in a commercial environment. This equipment generates, uses, and can radiate radio frequency energy and, if not installed and used in accordance with the instruction manual, may cause harmful interference to radio communications. Operation of this equipment in a residential area is likely to cause harmful interference in which case the user will be required to correct the interference at his own expense.</p>
ACMA compliance	<p>Notice! This is a Class A product. In a domestic environment this product may cause radio interference in which case the user may be required to take adequate measures.</p>
European Union directives	<p>12004/108/EC (EMC directive): Hereby, UTC Fire & Security declares that this device is in compliance or with the essential requirements and other relevant provisions of Directive 2004/108/EC</p> <p>2002/96/EC (WEEE directive): Products marked with this symbol cannot be disposed of as unsorted municipal waste in the European Union. For proper recycling, return this product to your local supplier upon the purchase of equivalent new equipment, or dispose of it at designated collection points. For more information see: www.recyclethis.info.</p>
Contact information	<p>For contact information, see www.utcfireandsecurity.com or www.utcfssecurityproducts.eu.</p>



Content

Product overview	2
Package Contents	2
Features	2
User guidelines	2
Product description	3
OSD control pad	4
Installation	5
Connect the video cable	5
Attach the lens	5
Connect the power cable	6
Programming	8
Access the Setup menu	8
Select the lens type	9
Set shutter/AGC	9
Adjust the picture characteristics	11
Set white balance	11
Set WDR	12
Set image noise reduction	13
Set HLC and BLC	13
Set Day/Night mode	14
Set E-zoom	15
Set DIS	15
Set the privacy mask area	15
Set motion detection	16
Display the synchronization mode	16
Set the camera ID	17
Select the language	17
Reset camera settings	17
Save changes	18
Specifications	18
Dimensions	19
Menu Map	20

Product overview

The UVC-6130-1- XX color video camera uses a digital signal processor (DSP) to process video signals. The video camera includes a microcontroller to provide high-quality images with high-color reproduction and sharp pictures.

Package Contents

The package contains the following:

- Box camera
- Dual power terminal block with screw and anchor
- Hex wrench

Features

The camera includes the following features:

- Super HAD II (hole accumulated diode) technology with 480,000 pixels NTSC (570,000 PAL)
- LSI (large scale integration) digital processors, producing 650 lines of horizontal resolution
- Smart digital control automatic BLC (backlight compensation)
- WDR (wide dynamic range)
- Advanced auto exposure system for both fixed iris and auto iris lenses to optimize the amount of light
- Internal synchronization
- Eight privacy mask areas to protect privacy concerns
- Advanced OSD (onscreen display) control
- Signal-to-noise ratio better than 52 dB
- Long life and high reliability
- Isolated switching power 12 VDC or 24 VAC / full range 96VAC~240VAC for UVC-6130-1-P2 camera

User guidelines

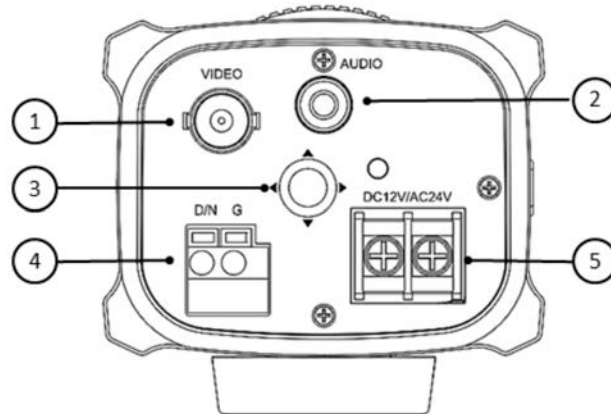
- Program the camera settings as much as possible before mounting the camera. Take appropriate safety precautions while completing programming after installation.
- Always use a 12 VDC or 24 VAC UL listed Class 2 power supply to power the camera.
- Do not use the camera over the temperature range specifications: -10°C to +50°C (14°F to 122°F)

- If the light source where the camera is installed experiences rapid, wide-variations in lighting, the camera may not operate as intended.

WARNING: To reduce the risk of fire or electronic shock, do not expose the camera to rain or moisture and do not remove the cover or back.

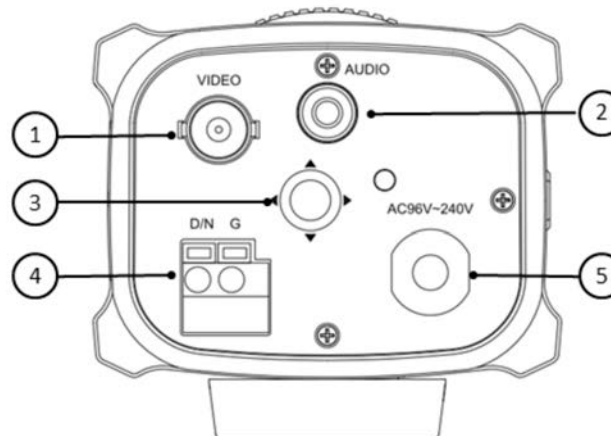
Product description

Figure 1: Camera UVC-6130-1-P/N



- | | |
|--------------------|-------------------------------|
| 1. Video output | 4. D/N trigger pin |
| 2. Audio output | 5. 12 VDC / 24 VAC dual power |
| 3. OSD control pad | |

Figure 2: Camera UVC-6130-1-P2



- | | |
|--------------------|--------------------------------|
| 1. Video output | 4. D/N trigger pin |
| 2. Audio output | 5. AC96V/AC240 universal power |
| 3. OSD control pad | |

OSD control pad

The on-screen display (OSD) control pad (see Figure 1) lets you manually control the camera functions. Table 1 below lists the OSD control pad functions and describes their use.

Table 1 Using the OSD control pad

Pad direction	Description
Up	Moves the cursor upward to select an item
Left	Moves the cursor left to select or adjust the parameters of the selected item.
Right	Moves the cursor to the right to select or adjust the parameters of the selected item.
Down	Moves the cursor downward to select an item.
Enter	Press the center of the control pad to display the Main menu. If the selected item has its own menu, press the pad to enter a submenu.

Installation

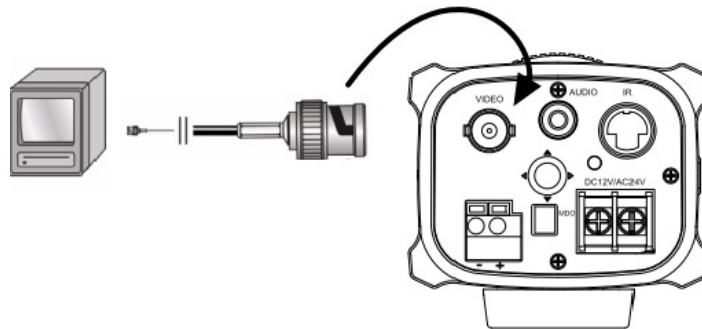
Please check the package contents and make sure that the device in the package is in good condition and all the assembly parts are included.

To install the camera you will need to prepare the mounting surface, mount the camera, attach the lens, and make cable connections,

Note: Before installing, please ensure that the mounting surface is strong enough to withstand three times the weight of the camera. If the mounting surface is not strong enough, the camera may fall and cause serious damage.

Connect the video cable

Connect a coaxial cable from the camera's BNC connector to a CCTV monitor or video recording device.

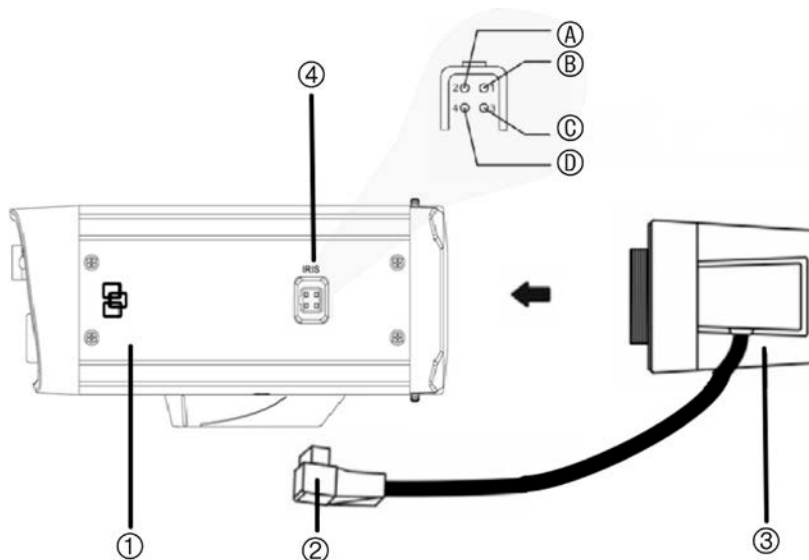


Attach the lens

Refer to the instructions that came with the lens you purchased for complete installation instructions of that lens.

Note: For optimal performance, use an auto iris lens.

Figure 3: Attaching the lens



1. Camera
2. Autoiris lens plug
3. Lens (autoiris shown)
4. DC type autoiris lens leads
A. Damping coil (+); B. Damping coil (-);
C. Driving coil (+); D. Driving coil (-)

To attach the lens:

1. Screw the lens clockwise onto the lens mount of the camera.
Note: Please prevent dust from entering between the lens mount and the lens.
2. For optimal performance, please use an auto iris lens. Plug the auto-iris drive cable to the 4-pin interface on the side of the camera.

Connect the power cable

For UVC-6130-1-P/N:

1. With a screwdriver, loosen the ~AC24V/DC12V and GND terminal screws on the terminal block.
2. Connect a universal 12 VDC/24 VAC power supply to the terminal block.

Note: The terminal block is not polarity sensitive. Either power lead can be connected to either terminal connector. There is no need for an isolated ground wire. The two power terminals can accept any polarity and any combination of power that equals 12 VDC or 24 VDC.

3. Retighten the terminal screws until snug, ensuring that the power leads are secure.
4. Supply power to the unit by plugging the power supply into a proper source.

Note: The power LED illuminates to show that the camera is receiving power. If it does not illuminate, check the terminal block connections and the power source.

For UVC-6130-1-P2:

Connect the power cable of a high voltage camera to either a 230 VAC or a 120 VAC power supply outlet.

Programming

Once the camera hardware has been installed, the camera can then be configured.

Access the Setup menu

The Setup menu provides access to the camera configuration options. The on-screen display (OSD) is only available in English.

Program the camera by attaching a standard video monitor to the system.

Figure 4: The Setup menu

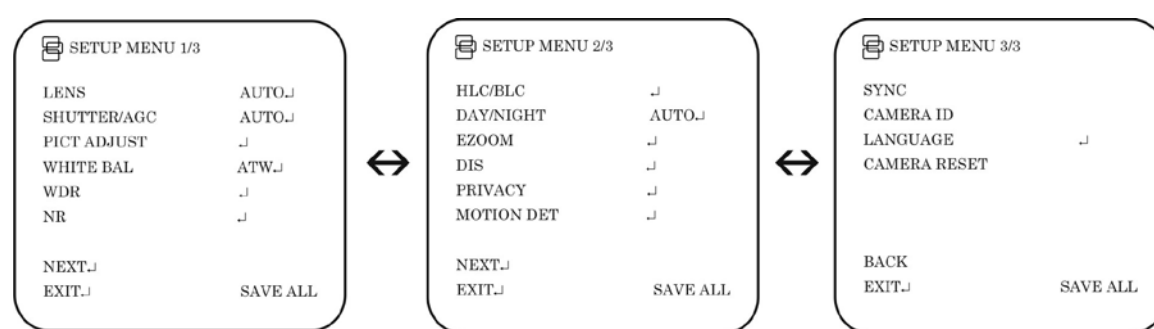


Table 2: Setup menu description

Menu item	Description
Lens	Defines the lens type as manual or autoiris.
Shutter/AGC	Defines the method of light control.
Pict Adjust	Defines the image quality functions.
White Bal	Defines the white balance (WB) set up.
WDR	Defines the wide dynamic range (WDR) set up.
NR	Defines the digital noise reduction level.
BLC/HLC	Defines the highlight compensation (HLC) and backlight compensation (BLC) set up.
Day/Night	Defines the day/night (D/N) set up.
EZoom	Enables/disables digital zoom.
DIS	Enables/disables the digital image stabilizer.
Privacy	Defines privacy mask set up.
Motion Det	Defines the motion detection set up.
Sync	Displays the current synchronization mode.
Camera ID	Defines the camera ID displayed on-screen.
Language	Defines the language of the OSD.
Camera Reset	Resets the camera to factory default settings.
Exit & save	Exits the menu and returns to live mode. Saves changes made.

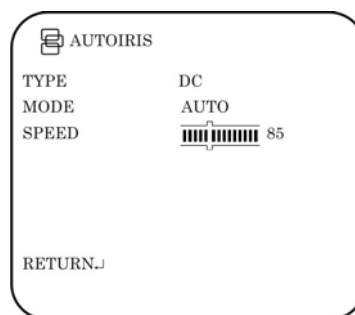
To access the Setup menu:

1. Press the OSD control pad (**Enter**) to access the Main menu and its submenus.
2. Push the pad up, down, left and right to move between menu options.
3. Press the OSD control pad to select an option.
4. When in a sub menu, select **Return** to return to the previous menu.
5. To exit the Main menu, move the cursor to **Exit** at the bottom of the screen and press **Enter**. All changes are saved.

Select the lens type

In the Setup menu, go to **Lens** and select the type of lens used with the camera, Auto or Manual. Select **Manual** for a manual lens and adjust the options manually, or select **Auto** to set the lens type to autoiris. The Autoiris menu appears.

Autoiris menu:



Type: Select the drive mode of the lens. Only DC is available.

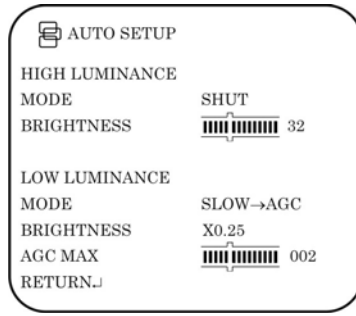
Mode: Select the iris control mode. Auto (automatically controlled depending on the light), Open (always open), or Closed (always closed).

Speed: When the mode is set to Auto, select the convergence speed of the iris between 0 and 255.

Set shutter/AGC

In the Setup menu, go to **Shutter/AGC** and select the required light control option: Manual, Auto or Traffic. Auto is default. The selected menu appears:

Automatic shutter menu:



Select the parameters for high and low luminance conditions:

High Luminance: Sets the lux level for bright light conditions such as daylight.

Mode: When lens type is AUTO IRIS, you can choose SHUT+AUTO IRIS or AUTO IRIS mode. When the lens type is manual, only SHUT mode is available.

Brightness: Select the brightness level to which the iris and shutter speed will adjust automatically. The values range from 0 to 255.

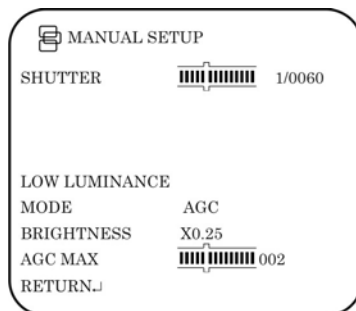
Low luminance: Sets the lux level for low light conditions.

Mode: Select Off, AGC, Slow, AGC→Slow, Slow→AGC, or AGC→Slow→AGC.

Brightness: Select the brightness level to X0.25, X0.50, X0.75 or X1.

AGC Max: Adjust the maximum automatic gain control level. The value can range from 0 to 7.

Manual shutter menu:



Shutter: Set the manual shutter to 1/60(1/50), 1/100(1/120), 1/250, 1/500, 1/1000, 1/2000, 1/4000, 1/10000, 1/20000 or 1/50000. Select a higher value to see movement and a lower value to see clearer images.

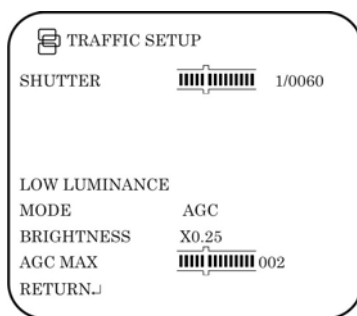
Low luminance: Sets the lux level for low light conditions

Mode: Only AGC available.

Brightness: Select the brightness level to X0.25, X0.50, X0.75 or X1.

AGC Max: Adjust the maximum automatic gain control level. The value can range from 0 to 7.

Traffic shutter menu:



Shutter: Set the manual shutter to 1/60(1/50), 1/100(1/120), 1/250, 1/500, 1/1000, 1/2000, 1/4000, 1/10000, 1/20000 or 1/50000. Select a higher value to see movement and a lower value to see clearer images.

Low luminance: Sets the lux level for low light conditions

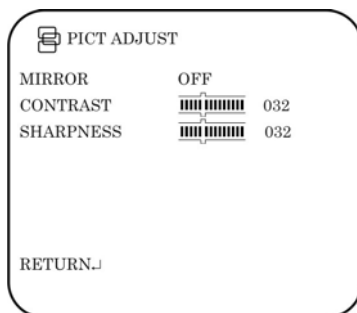
Mode: Only AGC available.

Brightness: Select the brightness level to X0.25, X0.50, X0.75 or X1.

AGC Max: Adjust the maximum automatic gain control level. The value can range from 0 to 7.

Adjust the picture characteristics

In the Setup menu, go to **Pict Adjust** and select the options to be modified in the menu.



Set the camera image characteristics of the picture: contrast and sharpness. The parameters of each can be set between 0 and 255.

Use the mirror function to flip the camera image so that it is correctly orientated for viewing. The image can be flipped vertically, horizontally or horizontally-vertically (180 degrees). Default setting is Off.

Set white balance

White balance (WB) tells the dome camera what the color white looks like. Based on this information, the dome camera will then continue to display all colors correctly even when the color temperature of the scene changes such as from daylight to fluorescent lighting, for example.

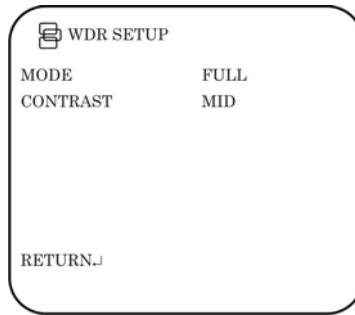
In the Setup menu, go to **White Bal** and select the options to be modified:

Menu Item	Description
ATW	<p>ATW (automatic tracing white balance) limits the color temperature range between 2,500 to 8,500°K to reduce excessive compensation for a large single-color object. Use it to automatically adjust the WB in real time as the lighting conditions change. It can be used for both indoor and outdoor locations.</p> <p>Set the following options:</p> <p>Speed: Set the compensation speed between 0 and 255. A lower value makes the AWB faster.</p> <p>Delay CNT: Set the delay time between automatic adjustments of the AWB. A smaller value increases the frequency rate of AWB.</p> <p>ATW Frame: X0.5, X1.0, X1.5, X2.0. Default is X2.0.</p> <p>Environment: Select Indoor (ATW is compensated for low color temperature such as from incandescent lighting) or Outdoor (ATW is compensated for high color temperature such as from daylight). Default is Indoor.</p>
Push	<p>Like ATW, the Push function continually monitors/analyzes the color temperature of the incoming light and corrects the WB. However, Push has no limits between 1,800 to 10,500°K so it may over-compensate the WB for a large single-color object.</p>
User1	<p>This is a fixed white balance that is user-defined by blue and red gain parameters. Only use this function when there is steady light.</p> <p>Blue-gain from 0 to 255 Red- gain from 0 to 255</p>
User2	<p>This is a second fixed white balance that is user-defined by blue and red gain parameters. Only use this function when there is steady light.</p> <p>Blue-gain from 0 to 255 Red- gain from 0 to 255</p>
Anti CR	<p>The anti-color rolling mode function minimizes the color changes over long periods caused by very small differences between the flicker frequency of non-inverter fluorescent lights and the drive frequency of the image sensor devices.</p>
Manual	<p>Manually adjust the white balance by blue gain only. The red gain is automatically adjusted when the blue gain is changed. Only use this function when there is steady light.</p> <p>Level UP: Press Enter to increase the WB level. Level DOWN: Press Enter to decrease the WB level.</p>
Push Lock	<p>Press Enter to automatically adjust the white balance to the environment and lock it at this value.</p>

Set WDR

Wide dynamic range (WDR) allows you to see details of objects in shadows or details of objects in bright areas of frames that have high contrast between light and dark areas such as the headlights of a passing car.

In the Setup menu, go to **WDR** and select the options to be modified in the menu.

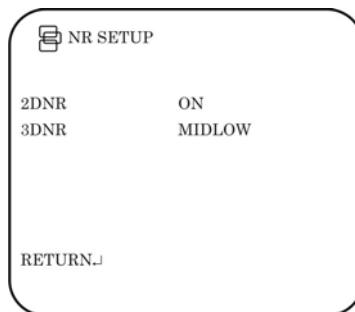


Adjust the mode by pressing left or right to cycle between Full and Normal.

If you select Full Mode, adjust the contrast by pressing left or right to cycle between Low, Midlow, Mid, Midhigh or High.

Set image noise reduction

In the Setup menu, go to **NR Setup** and select the desired digital noise reduction (DNR) levels. 2D/3DNR technology minimizes noise and ghosting. It produces clear images under low light levels.



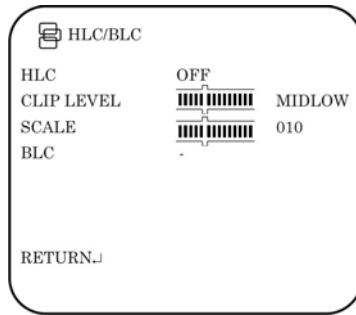
Menu Item	Description
2DNR	Enable or disable the option. Default is On.
3DNR	Select the level of noise reduction from Low, Midlow, Mid, Midhigh, High or Off. High levels can blur the image.

Set HLC and BLC

This feature tells the camera to adjust its total exposure (iris and shutter) in order to ignore the brightest areas of the image, and instead concentrate on darker areas.

HLC (highlight compensation) masks strong light sources, giving darker areas more detail. It is often used to help identify vehicle license plate numbers, for example. BLC (backlight compensation) can improve image quality when the background illumination is high. It prevents the object in the center from appearing too dark. The Clip-level option allows you to black out the bright vehicle headlights in the image.

In the Setup menu, go to **HLC/BLC** and select the options to be modified.



HLC: Enable or disable the option. Default is Off.

Clip level: Adjust the level between from Low, Midlow, Mid, Midhigh, High or Off.

Scale: Adjust the level between 0 and 255.

BLC: Enable or disable the option.

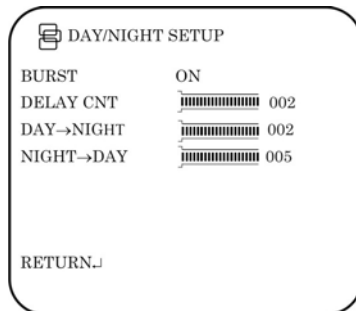
Set Day/Night mode

In the Setup menu, select **Day/Night** to open the day/night menu. The Day/Night mode has two options: Auto and Color.

Select Color to manually set the camera to color (day) mode.

Select Auto so that the camera can automatically switch between day (color) and night (black and white) mode.

Auto mode:



Burst: Enable/disable the color burst component of the video signal when the camera switches to B/W. ON mode maintains the same color signal in B/W so that the video signal provides better compatibility with certain color equipment. OFF mode removes the color burst signal B/W video and increase the total TV lines.

Delay CNT: This is the time in seconds before Day↔Night switches. A long delay response would be used, for example, to avoid switching from Night to Day mode when car headlights pass in front of the camera.

Day→Night: Set the threshold level on how dark it should be before switching from Day to Night mode. Lower (Higher) value makes the camera switched from Day to Night at lower (higher) illumination

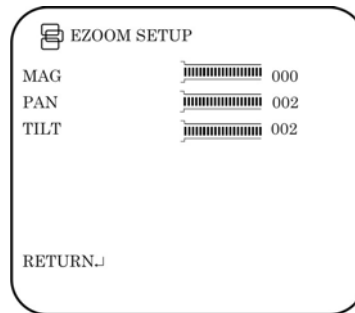
Night→Day: Set the threshold level on how light it should be before switching from Night to Day mode.

CAUTION: If there is a minimal difference between the Day→Night and Night→Day values, then camera may switch between Day and Night mode

Set E-zoom

Digital zoom (E-zoom) is the electronic magnification of a view.

In the Setup menu, select **Ezoom** to open the menu. Select the desired options.



Menu Item	Description
Mag	Adjust the electronic zoom.
Pan	Adjust the horizontal picture.
Tilt	Adjust the vertical picture.

Set DIS

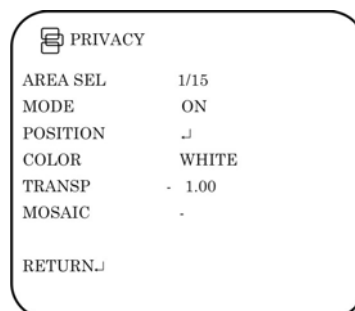
The DIS function (digital image stabilizer) helps to neutralize light camera vibrations.

In the Setup menu, select **DIS** to open the DIS menu. Enable or disable the option.

Set the privacy mask area

In the Setup menu, select **Privacy** to open the privacy mask menu.

Use this function to mask out selected areas of the image. Up to 15 privacy mask areas can be configured, each by size and location on-screen.



Area Sel: Up to 15 privacy masks can be set.

Mode: Enable or disable the selected mask.

Position: Press **Enter** to get the submenu to set position the mask on screen..

Color: Select the color of the privacy mask: White, Red, Black, Green, Blue, Yellow, Cyan or Magenta.

Transp: Select the transparency shade of the privacy mask. The privacy mask is fully transparent at value 0.00 and not transparent at 1.00.

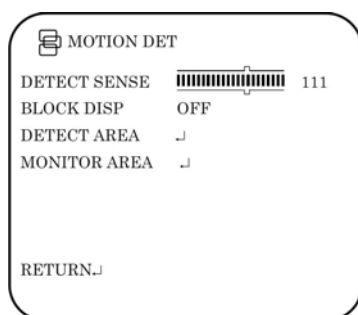
Mosaic: Enable this option to see the mask as a mosaic. It is disabled by default.

Note: Only four privacy mask areas can be set when motion detection is enabled.

Set motion detection

In the Setup menu, select **Motion Det** to open the motion detection menu.

Use this function to identify when a moving object passes in front of the camera to activate an alarm. Up to four motion detection areas can be configured, each by size and location on-screen.



Detect sense: Set the sensitivity level for motion detection. A higher value is more sensitive.

Block Disp: When enabled, any movement detected will be tracked on-screen. Press **Enter** to enable or press the button again to cancel it. The default setting is Off (no motion detection).

Detect Area: Up to four motion-sensitive areas can be set. Set the size and position of each one.

Monitor area: Enable a square grid to be displayed on-screen and set its position. It can only be set if *Block Disp* is enabled.

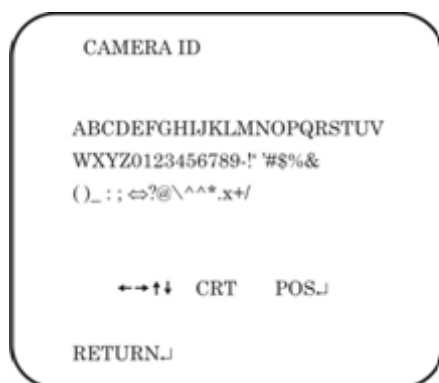
Display the synchronization mode

In the second Setup menu, go to **Sync** to open the synchronization menu.

Use the **Sync** menu to display the current synchronization mode. Only one option is available: Internal.

Set the camera ID

In the Setup menu, go to **Camera ID** to open its menu. Press Enter to display the menu. The camera ID displayed on-screen can have up to 40 characters.



Camera ID input line

Command line

To enter a character, move the cursor to the desired character and press Enter to select it. It appears in the input line. Repeat the process until all characters are entered.

To move the character, input position in the input line, move the cursor in the command line to ← or → and press Enter.

To clear the input line, move the cursor to CLR and press Enter.

To delete a character in the input line, select the character so that it blinks. Then move the cursor to CLR on the command line and press Enter.

To position the camera ID on-screen, move the cursor to POS and press Enter. The menu will then disappear on-screen and the camera ID will be displayed on the monitor. Use the menu button to move the camera ID to the desired position. Press Enter. The menu will reappear. Select Return to return to the previous menu.

Select the language

In the Setup menu, go to **Language** to open its menu.

Use this menu to select the OSD language. Select the desired language. There are only two languages available; English and Japanese.

Reset camera settings

Use this menu to reset the camera settings to factory default.

In the Setup menu, go to **Camera Reset**. Press Enter to reset all camera values to factory default.

Save changes

Changes are not saved automatically. When all setup changes to the camera are done, move the cursor in the Setup menu to **Save All** and press Enter to save all changes made.

Lens type	C/CS-DC drive	
Power supply	24 VAC / 12 VDC	96 to 240 VAC
Current	300 mA	Max. 50 mA
Power consumption	Max. 3.6 W	Max. 4.8 W
Operating temperature	-10 to +50 °C (14 to 122 °F)	
Weight	390 g (0.85 lbs)	

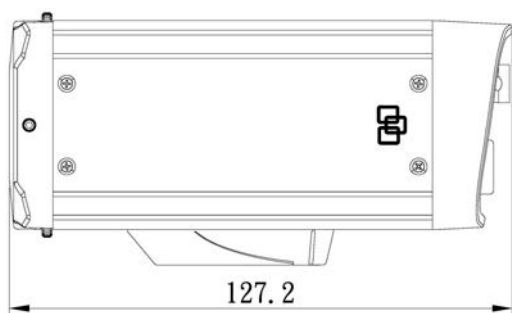
Specifications

Model	UVC-6130-1-N(P)	UVC-6130-1-P2
Lens type	C/CS-DC drive	
Power supply	24 VAC / 12 VDC	96 to 240 VAC
Current	300 mA	Max. 50 mA
Power consumption	Max. 3.6 W	Max. 4.8 W
Operating temperature	-10 to +50 °C (14 to 122 °F)	
Weight	390 g (0.85 lbs)	

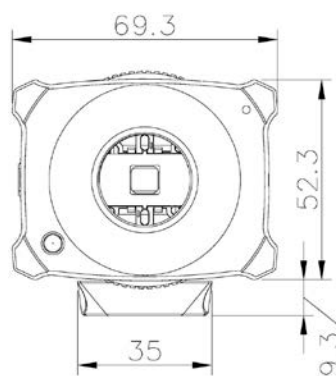
Dimensions

(Units of measurement = mm)

Side view:



Front view



Menu Map

